



US00D619217S

(12) **United States Design Patent**  
**Jian et al.**

(10) **Patent No.:** **US D619,217 S**

(45) **Date of Patent:** **\*\* Jul. 6, 2010**

(54) **SHOWERHEAD**

D567,906 S \* 4/2008 Huang ..... D23/229  
D589,592 S \* 3/2009 Genord et al. .... D23/213

(75) Inventors: **Zhang Jian**, Piscataway, NJ (US); **Jiang Xuefeng**, Piscataway, NJ (US)

\* cited by examiner

(73) Assignee: **AS IP Holdco, L.L.C.**, Piscataway, NJ (US)

*Primary Examiner*—Robin V Webster  
(74) *Attorney, Agent, or Firm*—Flaster/Greenberg P.C.

(\*\*) Term: **14 Years**

(57) **CLAIM**

(21) Appl. No.: **29/344,866**

The ornamental design for a showerhead, as shown and described.

(22) Filed: **Oct. 6, 2009**

**DESCRIPTION**

(51) **LOC (9) Cl.** ..... **23-01**

FIG. 1 is a perspective view of a showerhead;

(52) **U.S. Cl.** ..... **D23/229**

FIG. 2 is a front plan view of the showerhead of FIG. 1;

(58) **Field of Classification Search** ..... D23/213,  
D23/223, 226, 229–230; 239/282–283; 4/605,  
4/615, 570, 567

FIG. 3 is a right side view of the showerhead of FIG. 1;

FIG. 4 is a left side view of the showerhead of FIG. 1;

FIG. 5 is a top view of the showerhead of FIG. 1;

See application file for complete search history.

FIG. 6 is a bottom view of the showerhead of FIG. 1; and,

FIG. 7 is a rear view of the showerhead of FIG. 1.

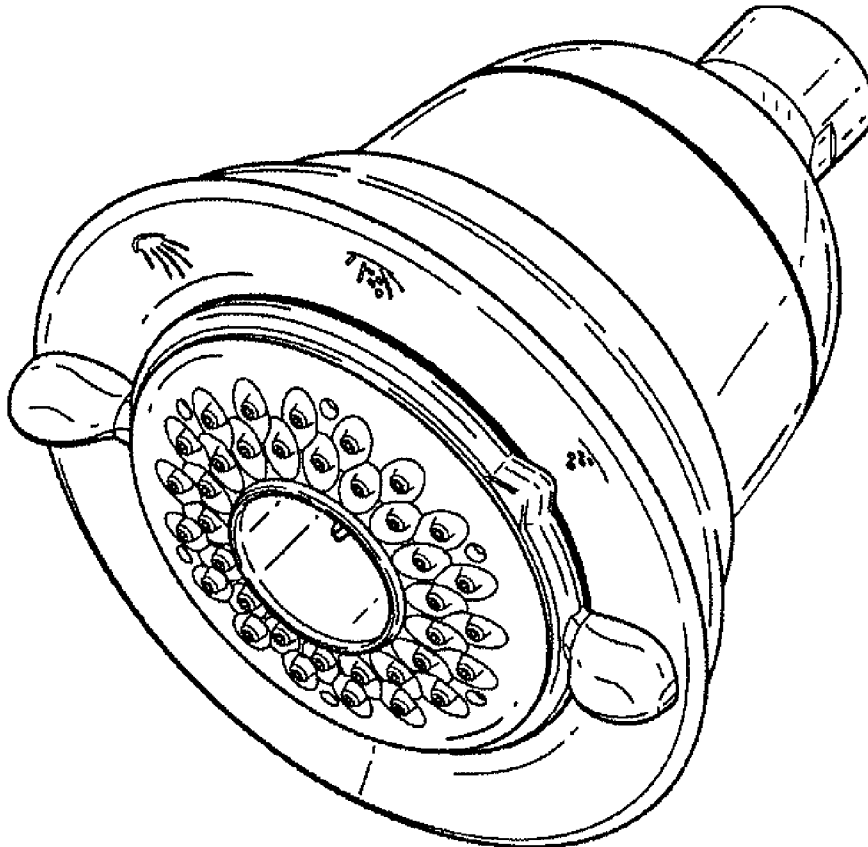
(56) **References Cited**

The broken line showing in FIG. 7 is included for the purpose of illustrating and forms no part of the claimed design.

**U.S. PATENT DOCUMENTS**

D544,944 S \* 6/2007 Li ..... D23/213  
D556,295 S \* 11/2007 Genord et al. .... D23/229  
D559,357 S \* 1/2008 Wang et al. .... D23/229

**1 Claim, 2 Drawing Sheets**



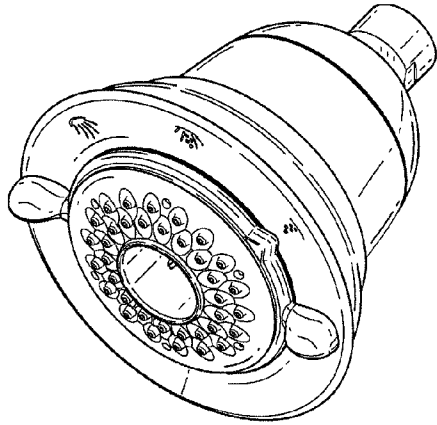


FIG. 1

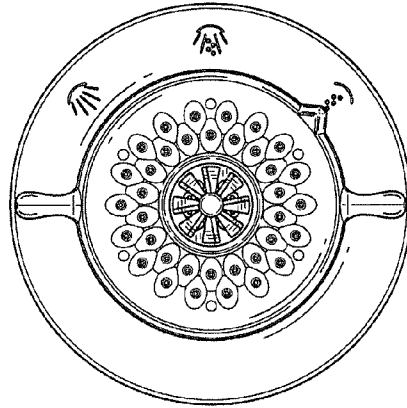


FIG. 2

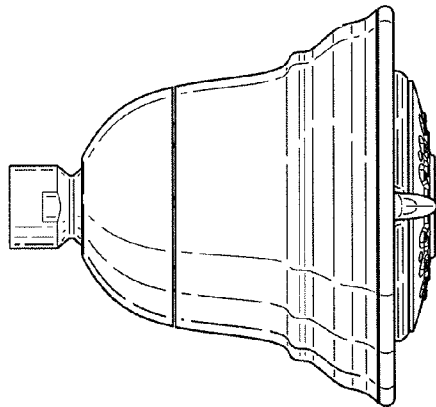


FIG. 3

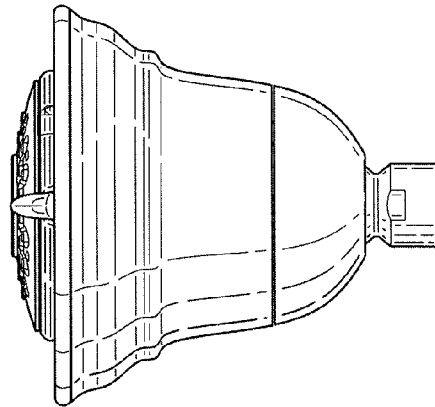
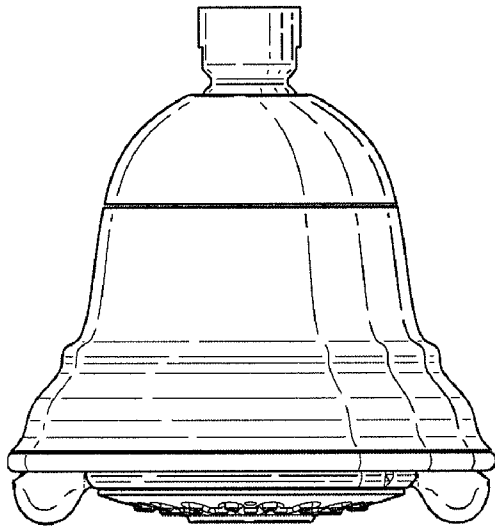
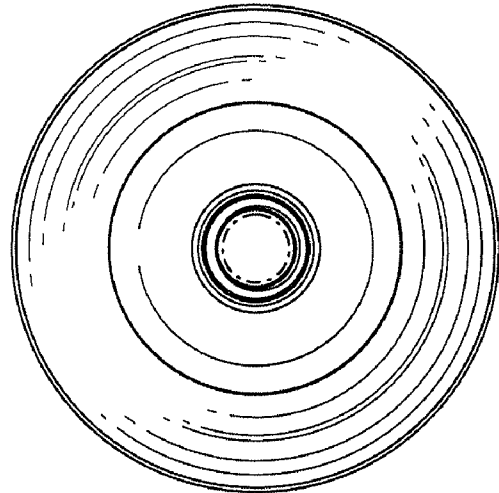


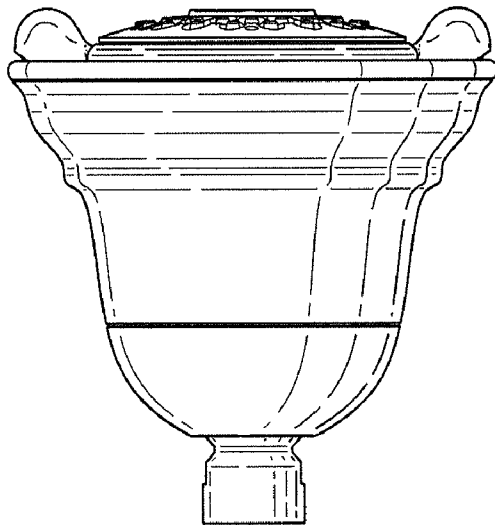
FIG. 4



*FIG. 5*



*FIG. 7*



*FIG. 6*