



US00D389188S

United States Patent [19]
Conforti et al.

[11] **Patent Number:** **Des. 389,188**
[45] **Date of Patent:** ****Jan. 13, 1998**

[54] **CAP AND RETAINER ASSEMBLY**

[76] **Inventors:** **Barry R. Conforti; Jill A. Conforti,**
both of 11017 Pemberton Way,
Adelanto, Calif. 92301

[**] **Term:** **14 Years**

[21] **Appl. No.:** **46,262**

[22] **Filed:** **Nov. 13, 1995**

[51] **LOC (6) CL** **19-06**

[52] **U.S. Cl.** **D19/57; D19/49; D19/44;**
D19/51

[58] **Field of Search** **D9/435, 436, 446,**
D9/453, 499; D19/43, 44, 51, 54, 57; 215/306;
220/375; 401/202, 262

[56] **References Cited**

U.S. PATENT DOCUMENTS

D. 248,560	7/1978	Funahashi	D19/43
D. 254,316	2/1980	Anderka	D19/54
D. 319,662	9/1991	Henry	D19/57 X
D. 327,848	7/1992	Hanover	D9/453 X
D. 337,254	7/1993	Nakagawa et al.	D9/435 X
D. 368,490	4/1996	Melnick	D19/51
2,884,151	4/1959	Biederman	401/262 X
2,955,468	10/1960	Hein, Jr.	215/306 X
4,090,647	5/1978	Dunning	401/262 X
4,228,823	10/1980	Zepeda	138/96 R

OTHER PUBLICATIONS

"DRI Mark Products, Inc." Brochure, Watercolor Markers @ left, Jul. 1969.

Primary Examiner—James Gandy
Assistant Examiner—Cathron B. Matta
Attorney, Agent, or Firm—Lawrence S. Cohen

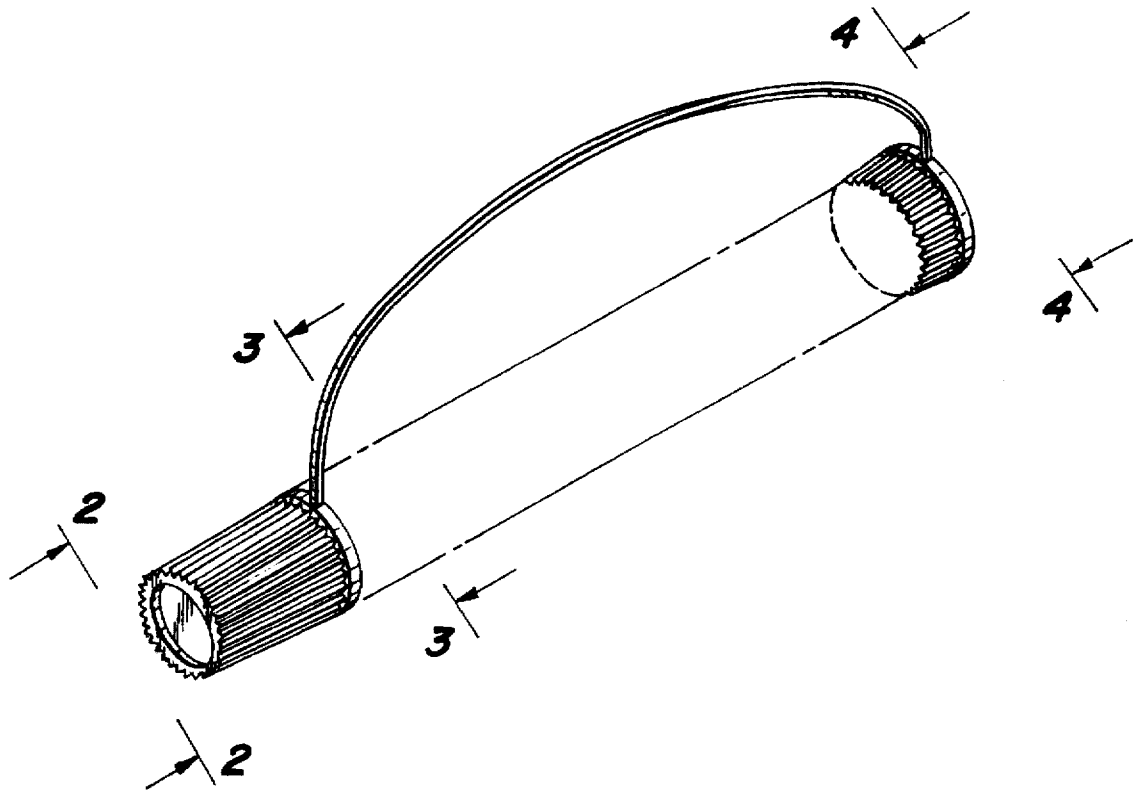
[57] **CLAIM**

The ornamental design for a cap and retainer assembly, as shown and described.

DESCRIPTION

FIG. 1 is a perspective view showing the design of a cap and retainer assembly;
FIG. 2 is a front view of the cap and retainer assembly design of FIG. 1 as seen from 2—2 of FIG. 1;
FIG. 3 is a rear view of the design of FIG. 1 as seen from 3—3 of FIG. 1;
FIG. 4 is a rear view of the design of FIG. 1 as seen from 4—4 of FIG. 1;
FIG. 5 is a right side view of the design of FIG. 1, the left side view being the same; and,
FIG. 6 is a perspective view of the design of FIG. 1 with the cap shown in its dismounted position.
The broken line showing of a marking pen is for illustrative purposes only and forms no part of the claimed design.

1 Claim, 1 Drawing Sheet



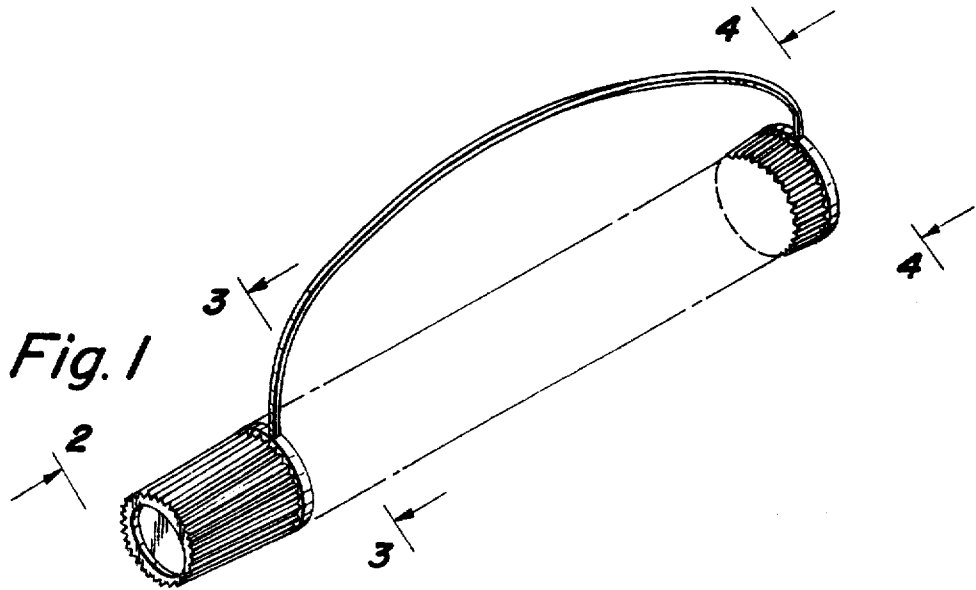


Fig. 1

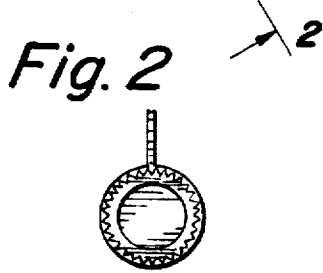


Fig. 2

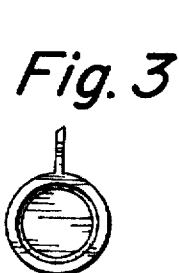


Fig. 3

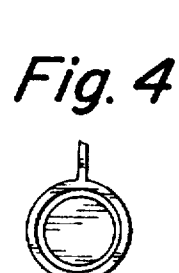


Fig. 4

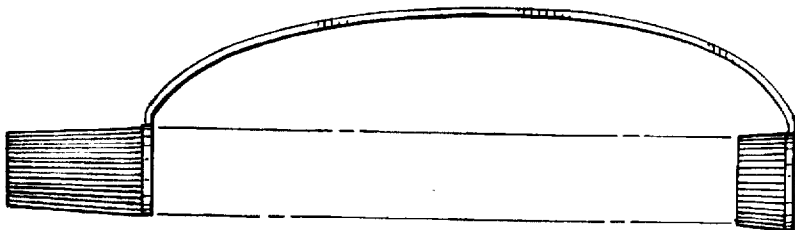


Fig. 5

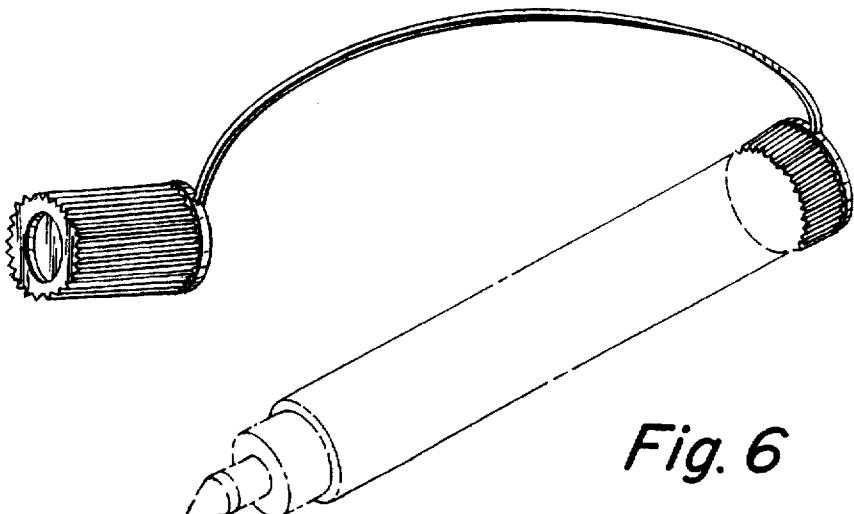


Fig. 6