



US00D905480S

(12) **United States Design Patent**  
**Bakker**

(10) **Patent No.:** **US D905,480 S**

(45) **Date of Patent:** **\*\* Dec. 22, 2020**

(54) **FILING PEDESTAL**

(71) Applicant: **HNI Technologies Inc.**, Muscatine, IA (US)

(72) Inventor: **Mitchell R. Bakker**, Holland, MI (US)

(73) Assignee: **HNI Technologies Inc.**, Muscatine, IA (US)

(\*\*) Term: **15 Years**

(21) Appl. No.: **29/641,711**

(22) Filed: **Mar. 23, 2018**

(51) **LOC (12) Cl.** ..... **06-06**

(52) **U.S. Cl.**

USPC ..... **D6/671**

(58) **Field of Classification Search**

USPC ..... D6/663, 671, 671.1, 657, 668.2, 671.2, D6/671.3, 671.4, 703, 682; D5/54, 59; (Continued)

(56) **References Cited**

**U.S. PATENT DOCUMENTS**

1,471,712 A 10/1923 Friedrich  
3,429,632 A \* 2/1969 Fiterman ..... A47B 63/00  
312/259

(Continued)

**FOREIGN PATENT DOCUMENTS**

JP 1150476 S 8/2002  
JP 1315782 S 11/2007  
JP 1372547 S 11/2009

*Primary Examiner* — Kelley A Donnelly

(74) *Attorney, Agent, or Firm* — Faegre Drinker Biddle & Reath LLP

(57) **CLAIM**

The ornamental design for a filing pedestal, as shown and described.

**DESCRIPTION**

FIG. 1 is an isometric view of a first embodiment of a filing pedestal from a first, top perspective.

FIG. 2 is an isometric view of the first embodiment of the filing pedestal from a second, bottom perspective.

FIG. 3 is a front view of the first embodiment of the filing pedestal.

FIG. 4 is a rear view of the first embodiment of the filing pedestal.

FIG. 5 is a left side view of the first embodiment of the filing pedestal.

FIG. 6 is a right side view of the first embodiment of the filing pedestal.

FIG. 7 is a top view of the first embodiment of the filing pedestal.

FIG. 8 is a bottom view of the first embodiment of the filing pedestal.

FIG. 9 is an isometric view of a second embodiment of a filing pedestal from a first, top perspective.

FIG. 10 is an isometric view of the second embodiment of the filing pedestal from a second, bottom perspective.

FIG. 11 is a front view of the second embodiment of the filing pedestal.

FIG. 12 is a rear view of the second embodiment of the filing pedestal.

FIG. 13 is a left side view of the second embodiment of the filing pedestal.

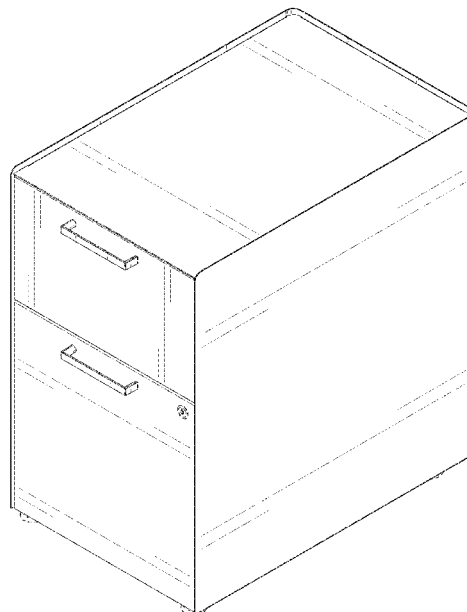
FIG. 14 is a right side view of the second embodiment of the filing pedestal.

FIG. 15 is a top view of the second embodiment of the filing pedestal; and,

FIG. 16 is a bottom view of the second embodiment of the filing pedestal.

Features shown as broken lines form no part of the claimed design.

**1 Claim, 16 Drawing Sheets**



(58) **Field of Classification Search**

USPC ..... D25/157, 163; D19/101, 102, 106, 75,  
 D19/86, 95  
 CPC ..... A47F 3/00; A47F 5/0018; A47B 63/02;  
 A47B 67/02; A47B 47/024; A47B 88/48;  
 A47B 67/00; A47B 47/02; A47B 88/40;  
 B65G 1/00; B65G 1/02  
 See application file for complete search history.

(56) **References Cited**

U.S. PATENT DOCUMENTS

3,708,709 A 1/1973 Morrison et al.  
 4,047,773 A \* 9/1977 Semany ..... A47B 87/0292  
 312/111  
 4,232,920 A \* 11/1980 Bukaitz ..... A47B 47/03  
 312/107  
 D274,489 S \* 7/1984 DeVries ..... D6/675.1  
 4,518,208 A 5/1985 Marder  
 4,588,237 A 5/1986 Marder  
 4,671,580 A \* 6/1987 Shiou ..... A47B 47/03  
 312/265.5  
 4,712,844 A \* 12/1987 Fry ..... F16B 12/18  
 312/257.1  
 D296,166 S \* 6/1988 Hills ..... D6/671.1  
 4,790,610 A 12/1988 Welch et al.  
 D328,824 S \* 8/1992 Bellini ..... 312/225  
 5,199,774 A \* 4/1993 Hedinger ..... E05B 65/466  
 312/219

D341,737 S \* 11/1993 Shepherd ..... D6/671.1  
 5,486,042 A 1/1996 Heisler et al.  
 D384,525 S \* 10/1997 McBrayer ..... D6/671.1  
 D387,224 S \* 12/1997 Dunlap, Jr. .... D6/671.1  
 5,975,658 A 11/1999 Verbeek et al.  
 D419,333 S 1/2000 Verbeek et al.  
 D424,328 S 5/2000 Dominik  
 D433,248 S 11/2000 Hellwig et al.  
 6,253,399 B1 7/2001 Wagner  
 6,435,461 B1 8/2002 Saylor et al.  
 6,619,768 B1 9/2003 Northrop et al.  
 D514,846 S \* 2/2006 McDiarmid ..... D6/671.1  
 D537,651 S \* 3/2007 Seo ..... D6/671.1  
 D588,171 S \* 3/2009 Dawson ..... D15/87  
 D745,576 S \* 12/2015 Sherman ..... D15/80  
 D759,995 S \* 6/2016 Miller ..... D6/668.2  
 9,468,305 B2 \* 10/2016 Flora ..... A47C 17/58  
 D771,416 S \* 11/2016 Miller ..... D6/668.2  
 D807,084 S \* 1/2018 Waldner ..... D6/671.1  
 D813,574 S \* 3/2018 Patton ..... D6/671.1  
 D830,740 S \* 10/2018 Shah ..... D6/671.1  
 D832,625 S \* 11/2018 Chiao ..... D6/671  
 D858,119 S \* 9/2019 Nicoll ..... D6/334  
 D871,114 S \* 12/2019 Nicoll ..... D6/671.1  
 D873,587 S \* 1/2020 Nicoll ..... D6/671  
 2003/0019165 A1 1/2003 Gallant et al.  
 2004/0217677 A1 11/2004 Durand et al.  
 2008/0036343 A1 2/2008 Wang  
 2008/0040982 A1 2/2008 Durand et al.  
 2010/0064543 A1 3/2010 Helot  
 2012/0091086 A1 4/2012 Gregory et al.

\* cited by examiner

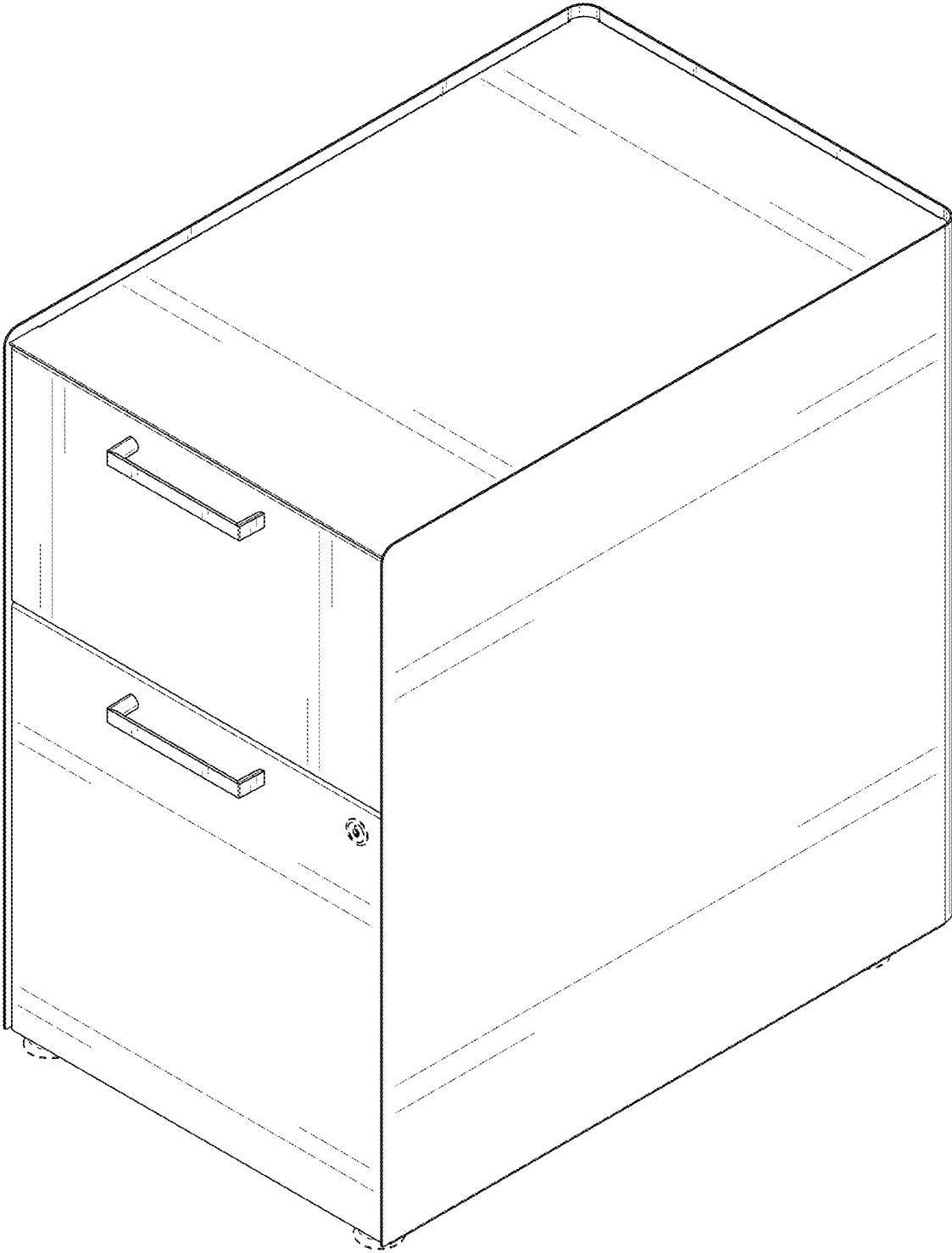


FIG. 1

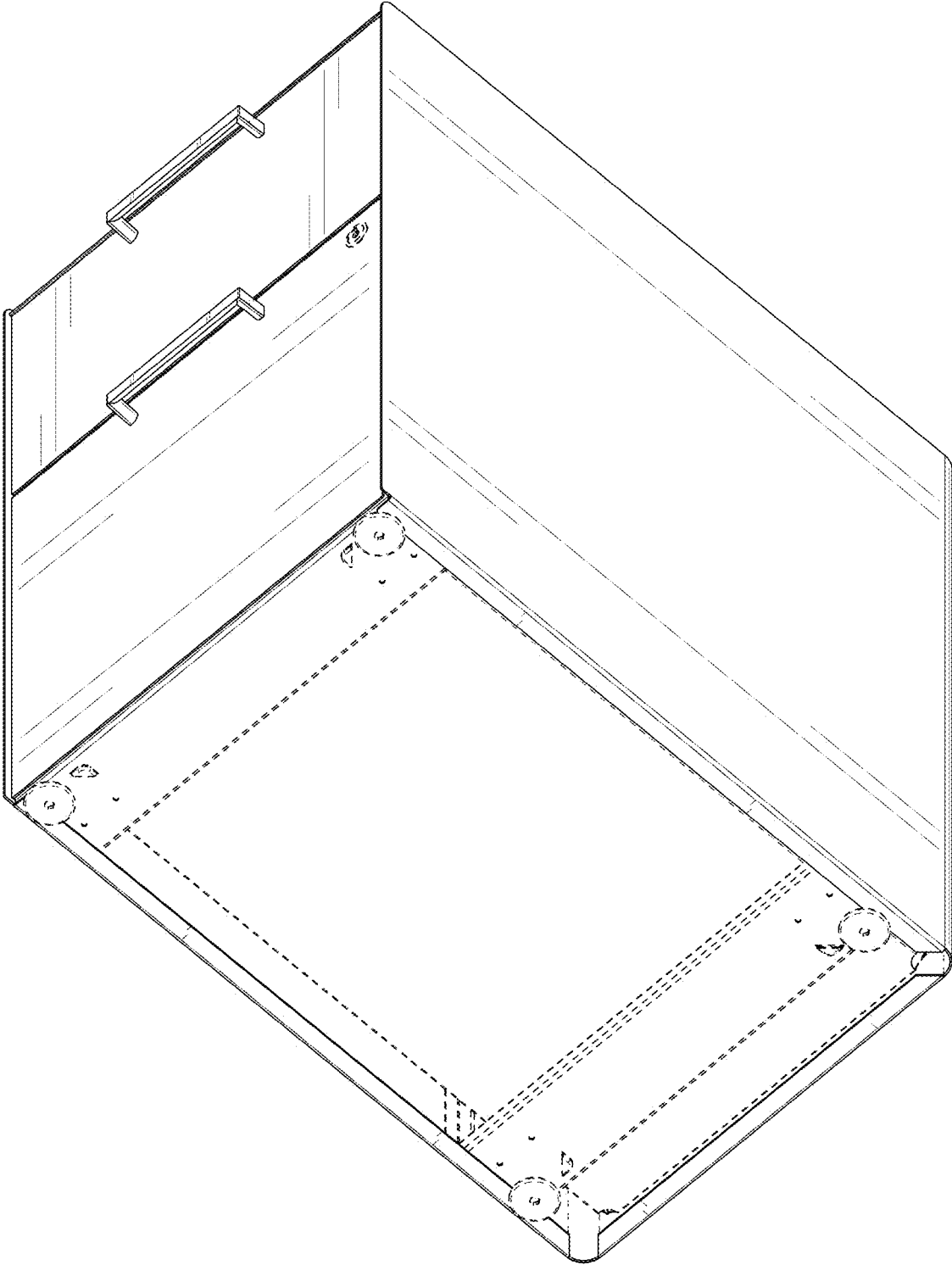


FIG. 2

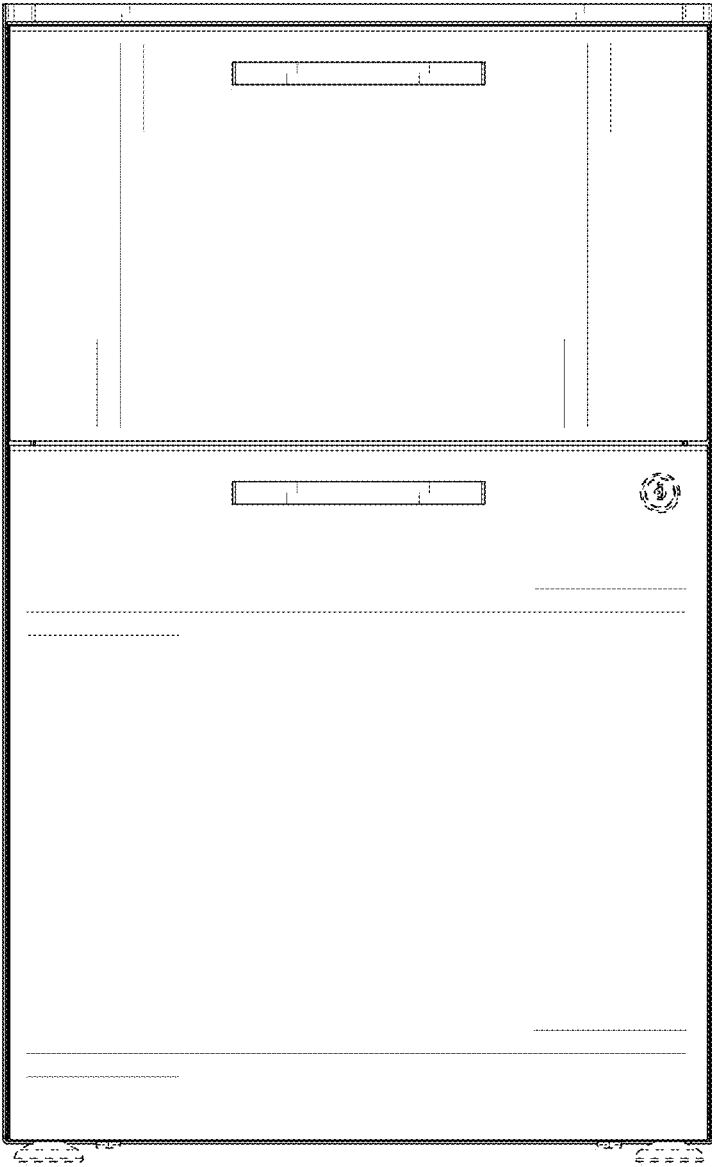


FIG. 3

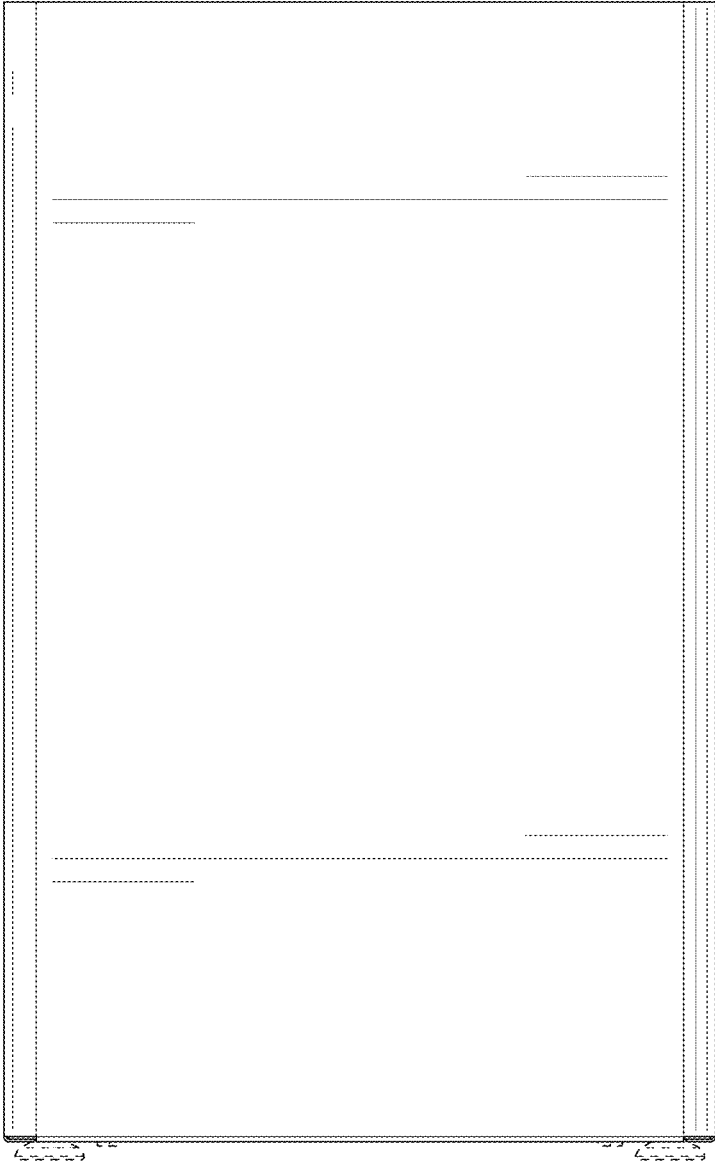


FIG. 4

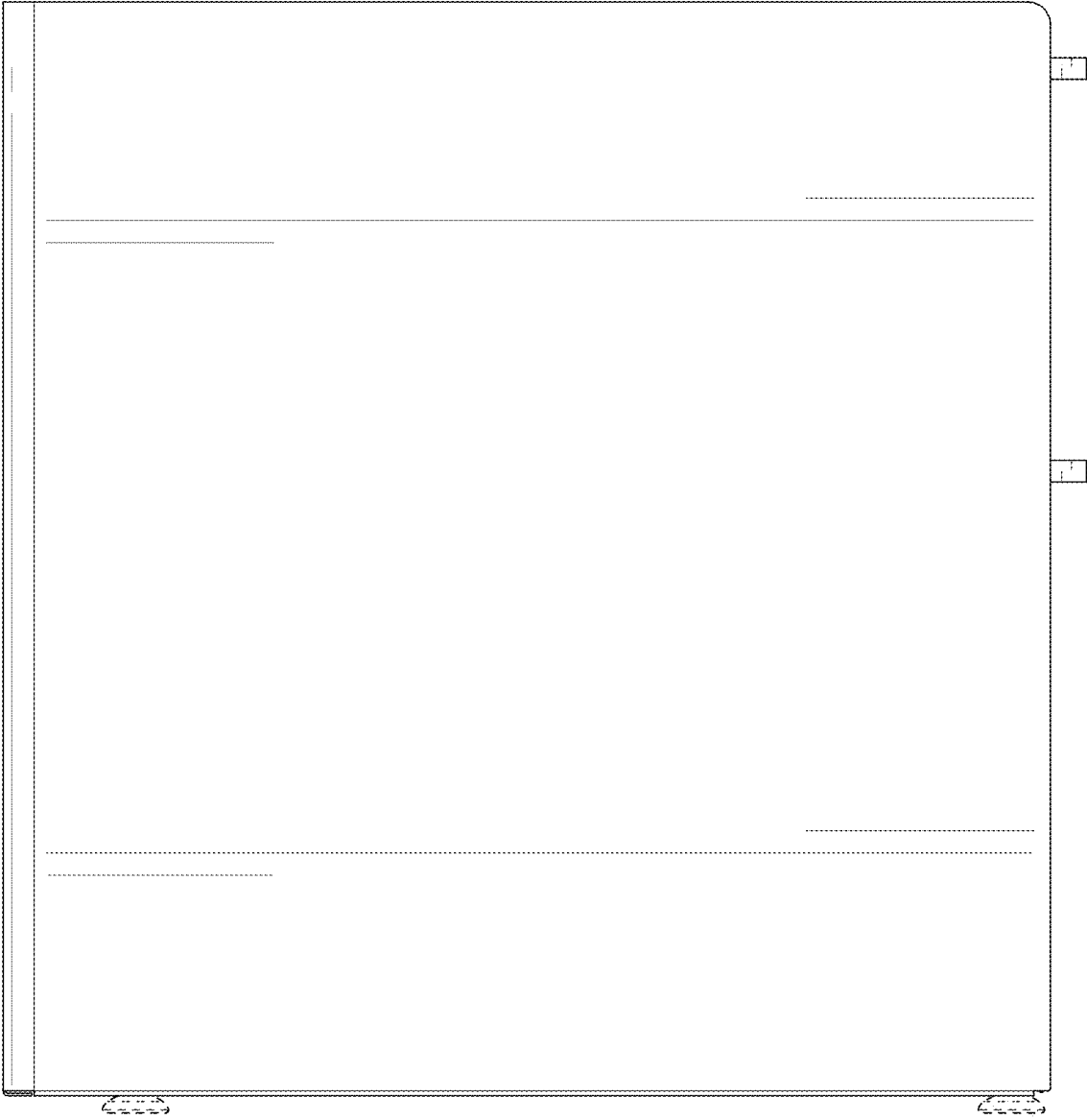


FIG. 5

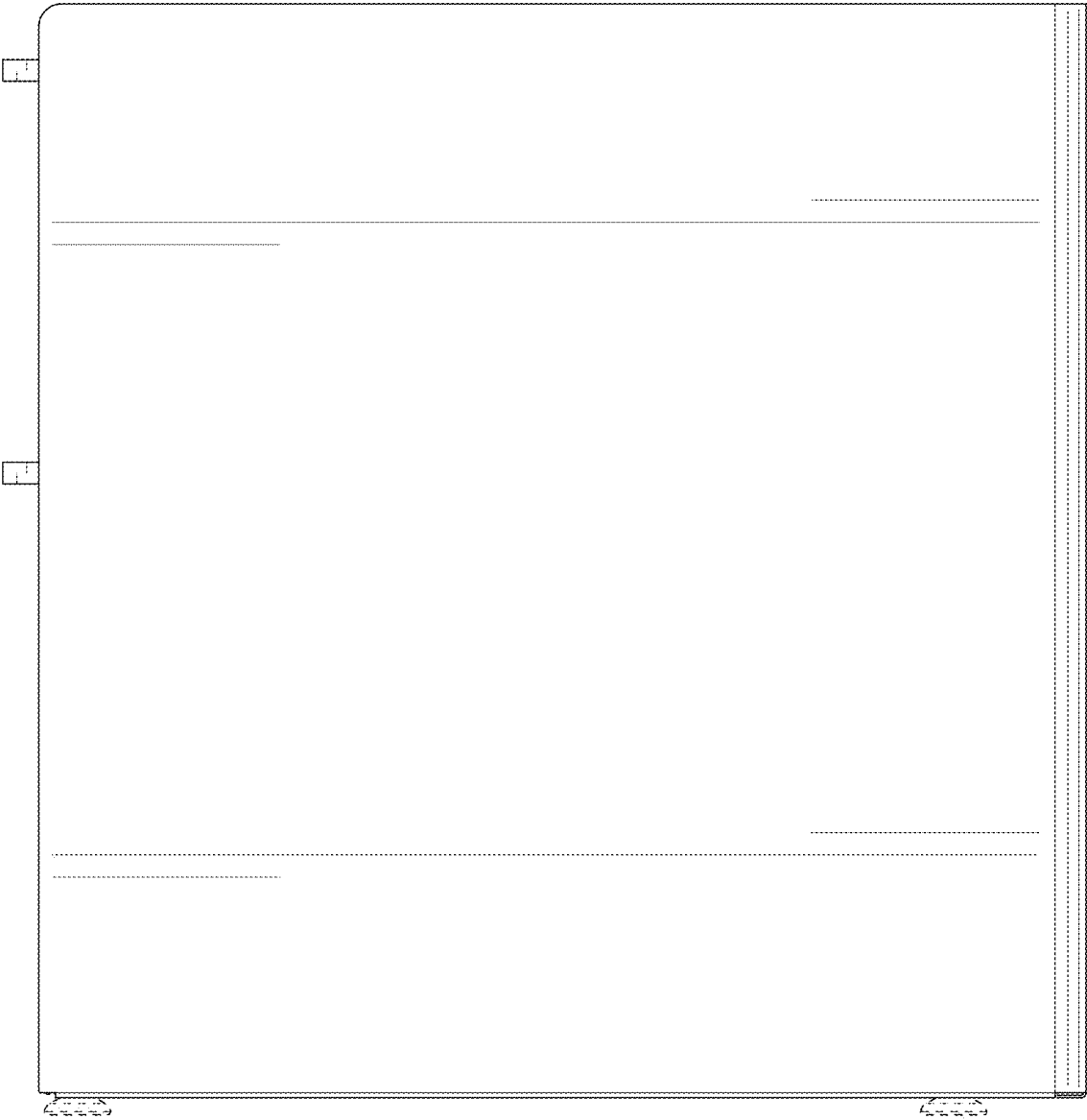


FIG. 6



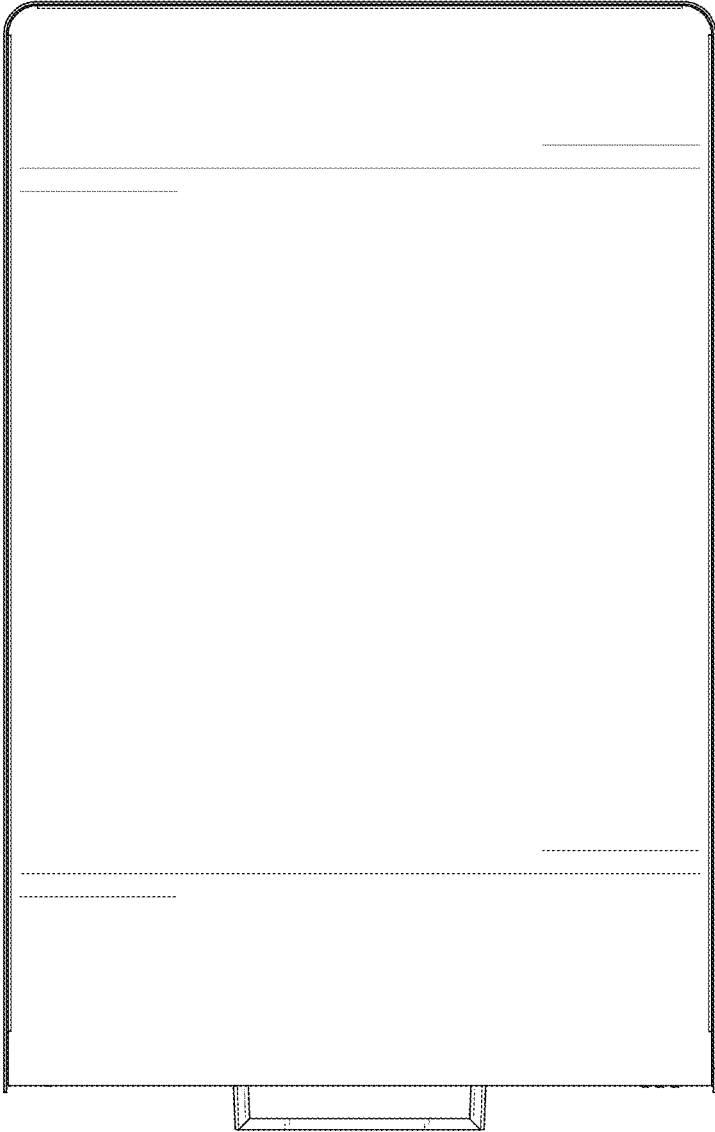


FIG. 7

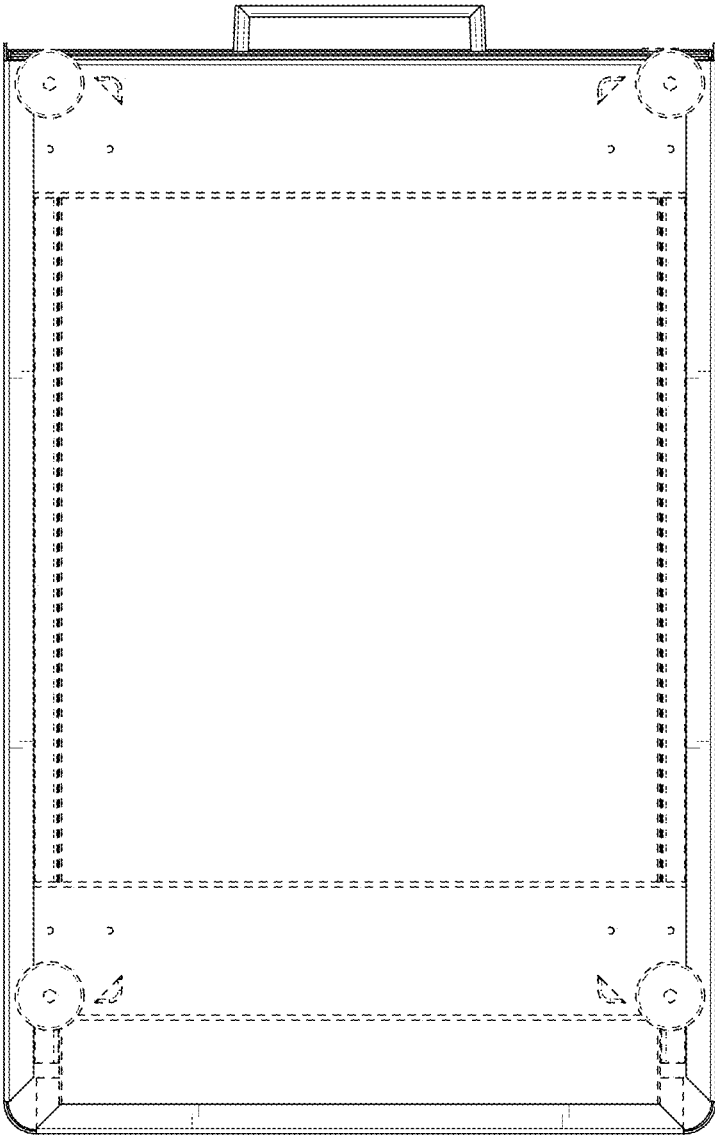


FIG. 8

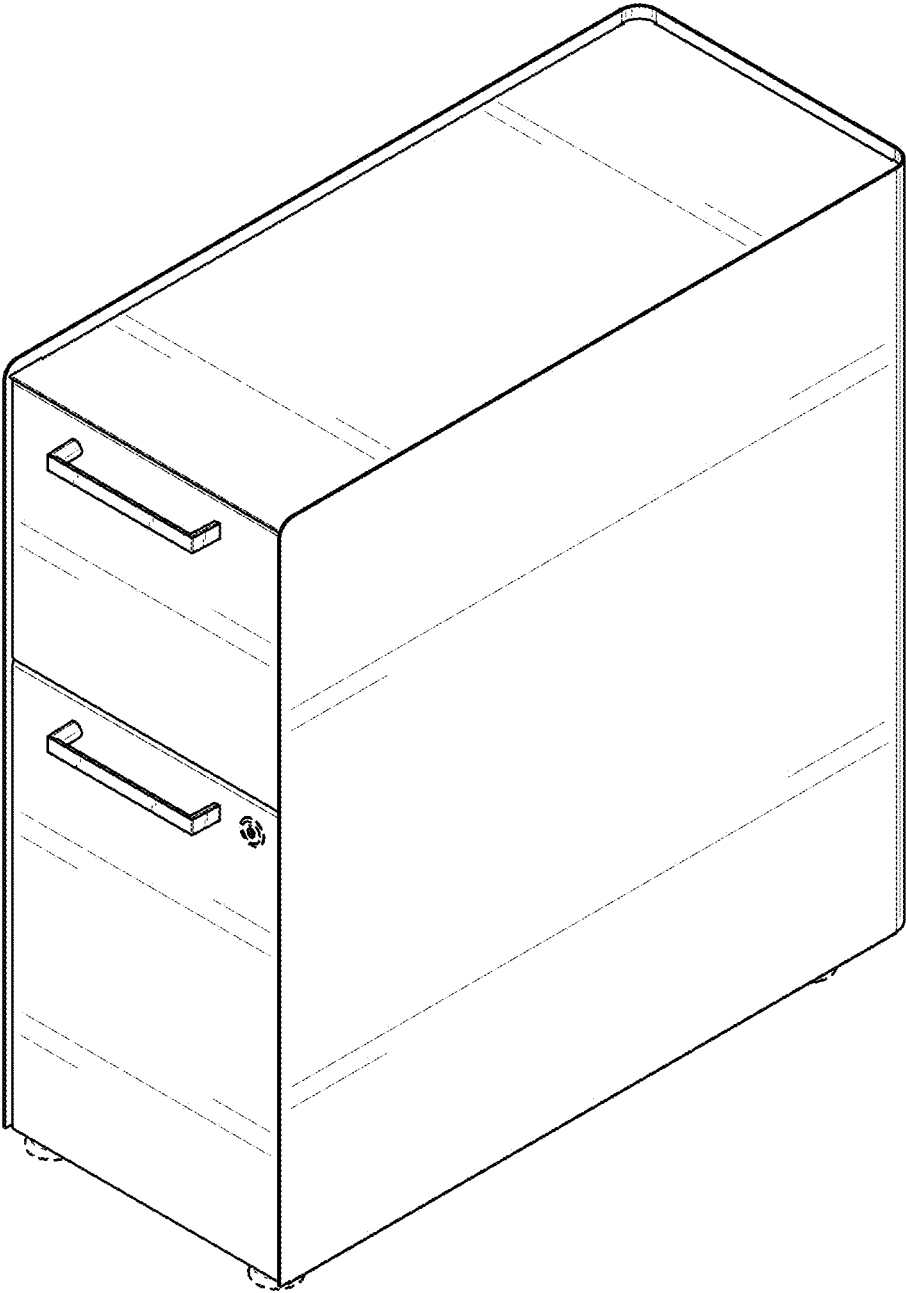


FIG. 9

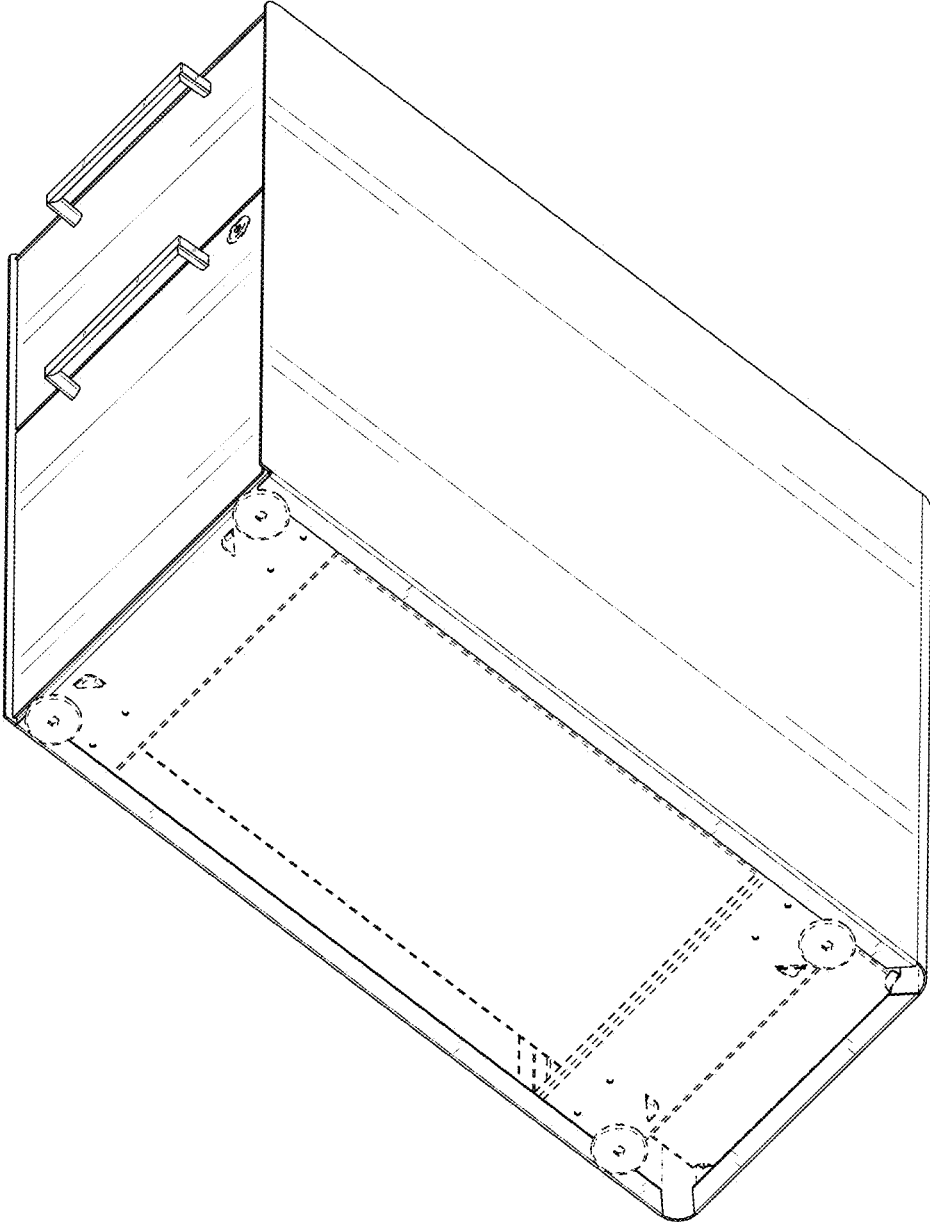


FIG. 10

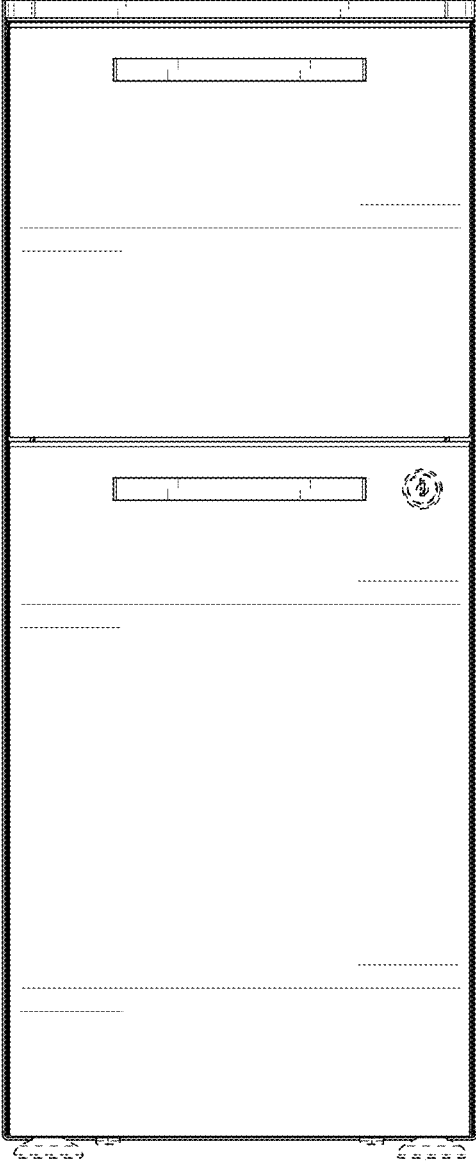


FIG. 11

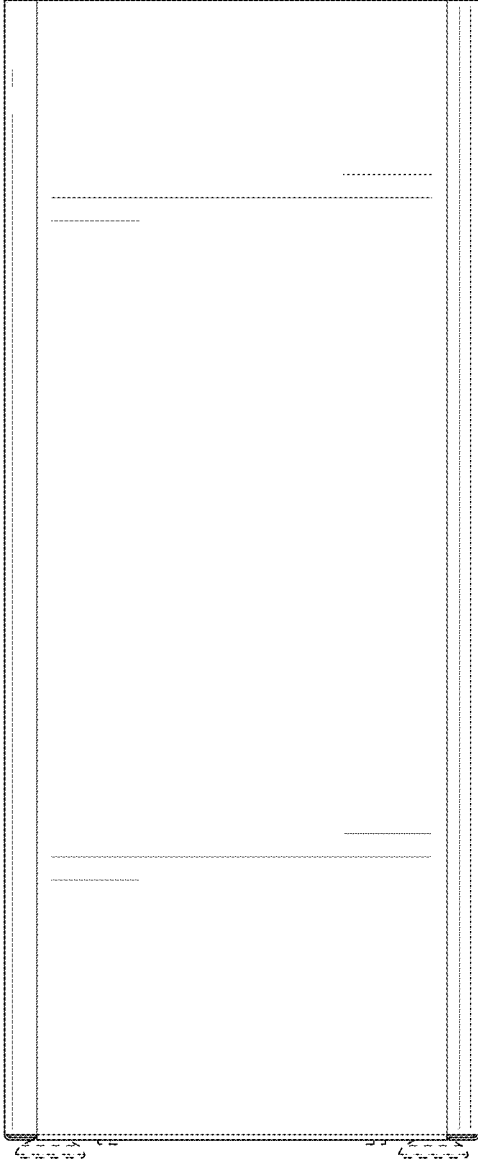


FIG. 12

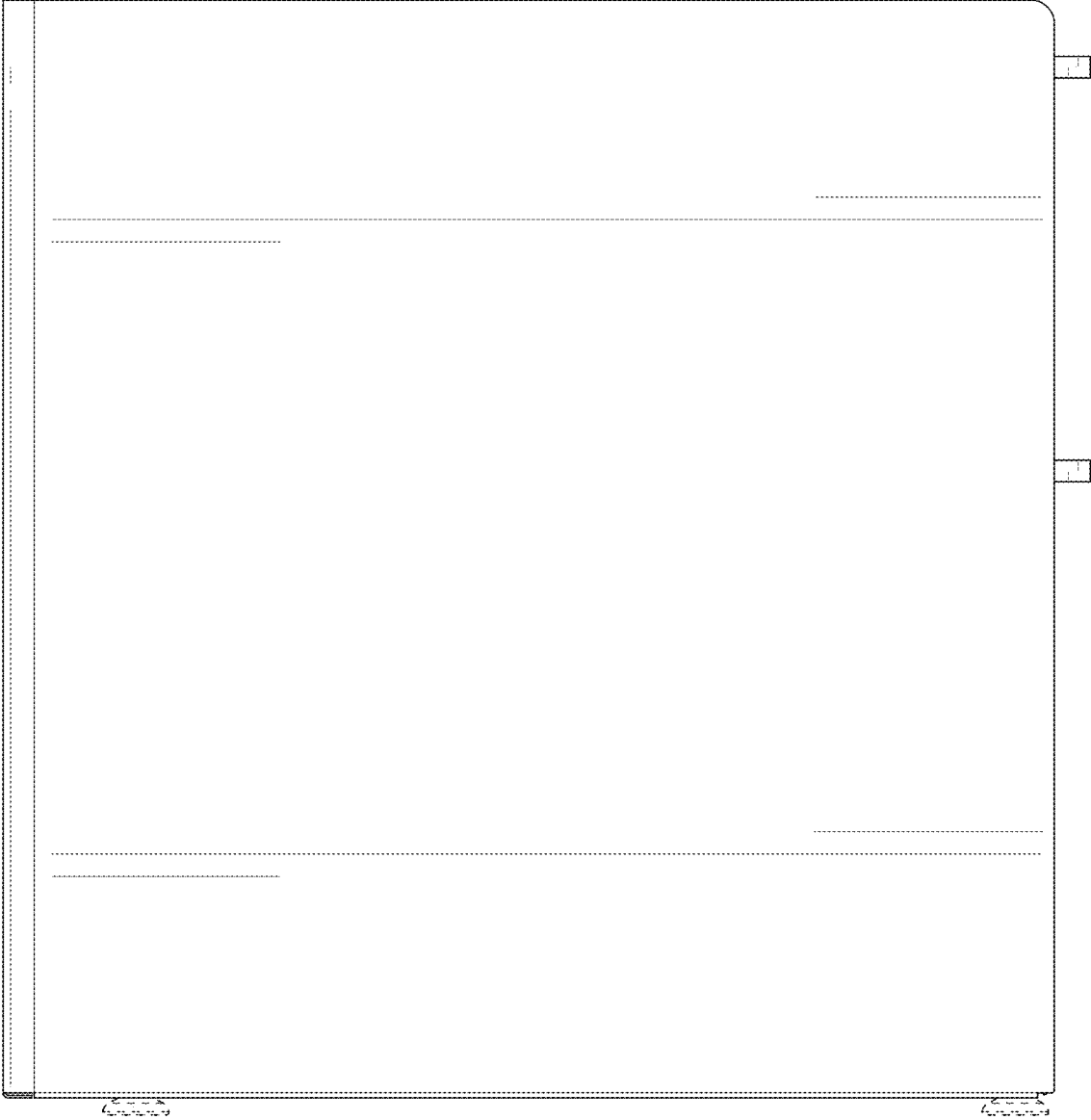


FIG. 13

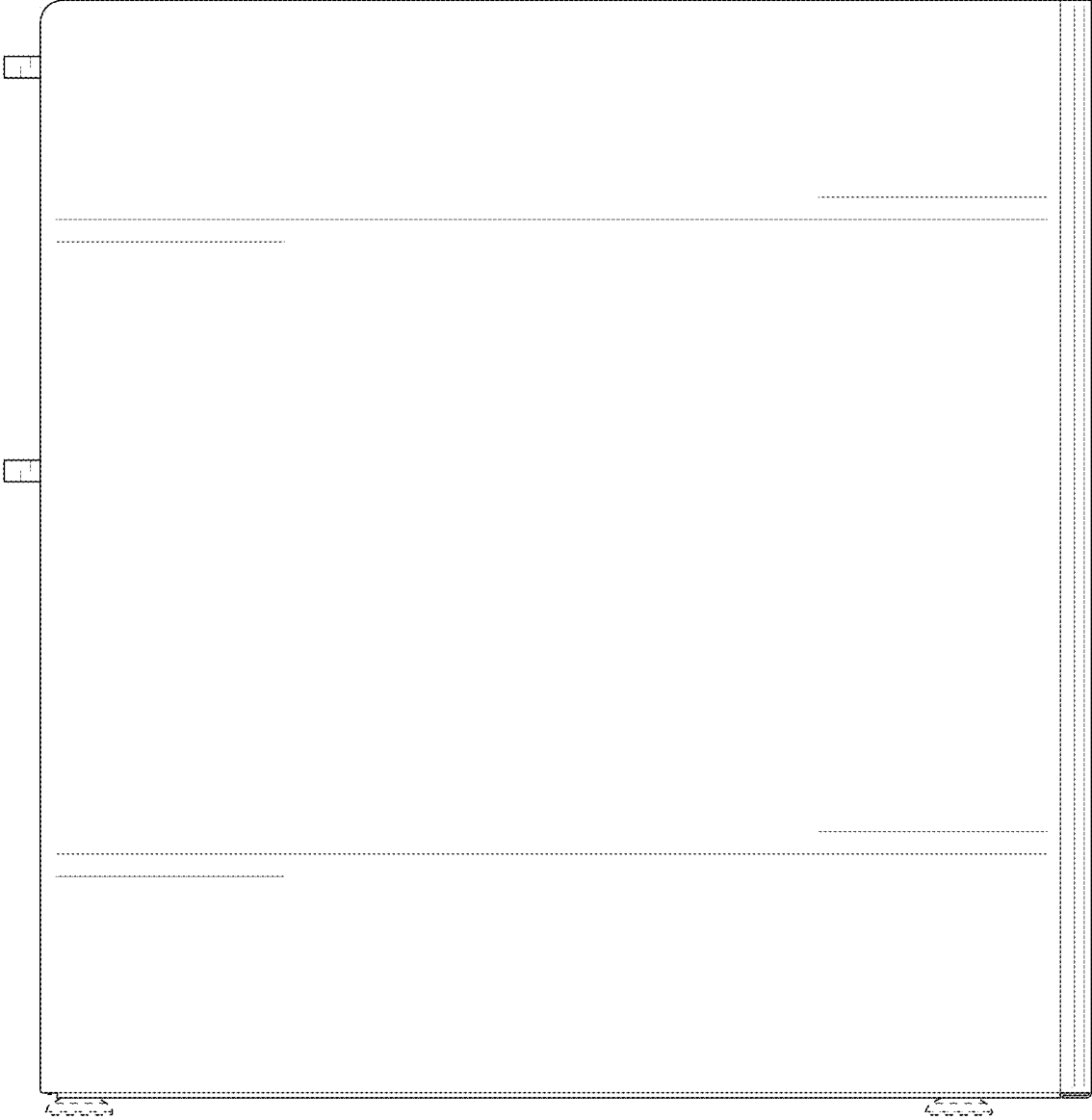


FIG. 14



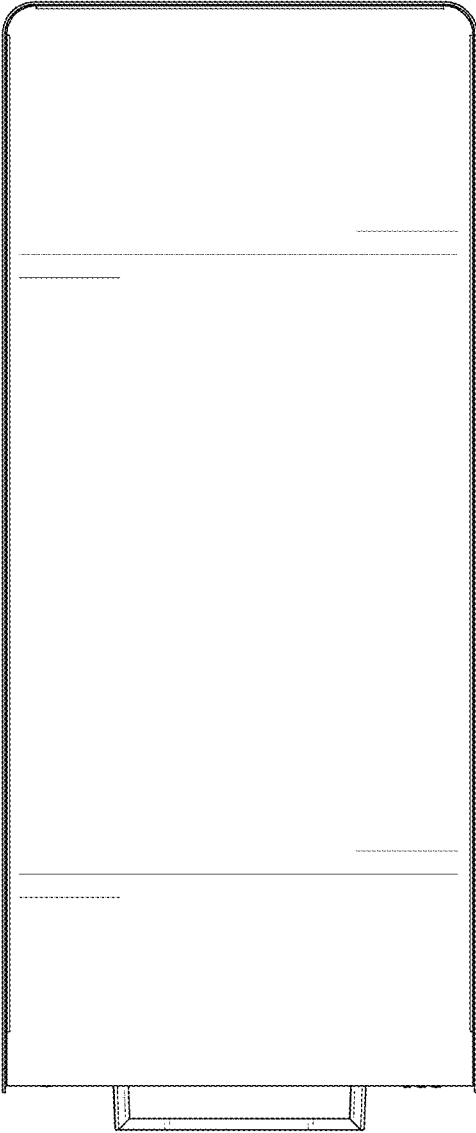


FIG. 15

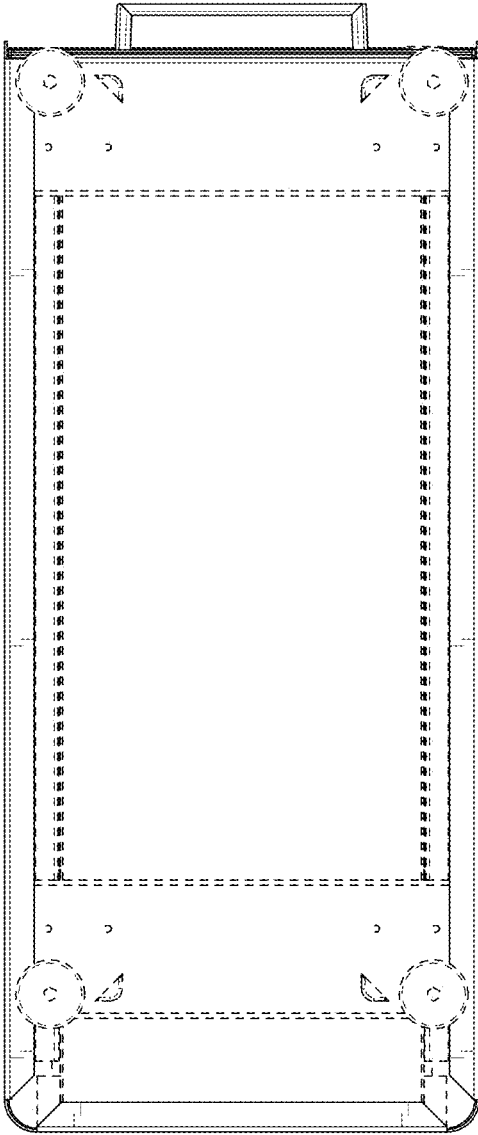


FIG. 16