



US00D904387S

(12) **United States Design Patent**
Zhang et al.

(10) **Patent No.:** **US D904,387 S**

(45) **Date of Patent:** **** Dec. 8, 2020**

(54) **SUPPORT FOR MOBILE DEVICES**

(71) Applicants: **Qingsen Zhang**, Guangdong (CN);
Junling Chen, Guangdong (CN);
Jianqiang Liang, Guangdong (CN)

(72) Inventors: **Qingsen Zhang**, Guangdong (CN);
Junling Chen, Guangdong (CN);
Jianqiang Liang, Guangdong (CN)

(73) Assignee: **UGREEN GROUP LIMITED**,
Guangdong (CN)

(**) Term: **15 Years**

(21) Appl. No.: **29/687,299**

(22) Filed: **Apr. 11, 2019**

(51) **LOC (12) Cl.** **14-03**

(52) **U.S. Cl.**

USPC **D14/253**; D14/447

(58) **Field of Classification Search**

USPC D14/251–253, 447, 452, 432–434, 440;
D12/415; D3/218

CPC H04M 1/02; H04M 1/04; B60R 11/02;
F16M 11/00; F16M 11/04; F16M 11/06;
F16M 13/02; F16M 13/00; H05K 7/00;
H05K 5/02; A47G 1/17

See application file for complete search history.

(56) **References Cited**

U.S. PATENT DOCUMENTS

D703,676 S * 4/2014 Smith D14/447
D720,343 S * 12/2014 Nichols D14/253

D825,550 S * 8/2018 Wang D14/253
D839,869 S * 2/2019 Wang D14/253
D840,997 S * 2/2019 Chen D14/253
D864,092 S * 10/2019 Zhang D12/415
D865,747 S * 11/2019 Sage D14/253
D872,014 S * 1/2020 Zhang D13/108
D879,090 S * 3/2020 Chung D14/253
D884,711 S * 5/2020 Zhang D14/447

* cited by examiner

Primary Examiner — Janice Hallmark

(57) **CLAIM**

We claim the ornamental design for the support for mobile devices, as shown and described.

DESCRIPTION

FIG. 1 is a perspective view of a support for mobile devices showing my new design;

FIG. 2 is a front elevational view thereof;

FIG. 3 is a rear elevational view thereof;

FIG. 4 is a left side elevational view thereof;

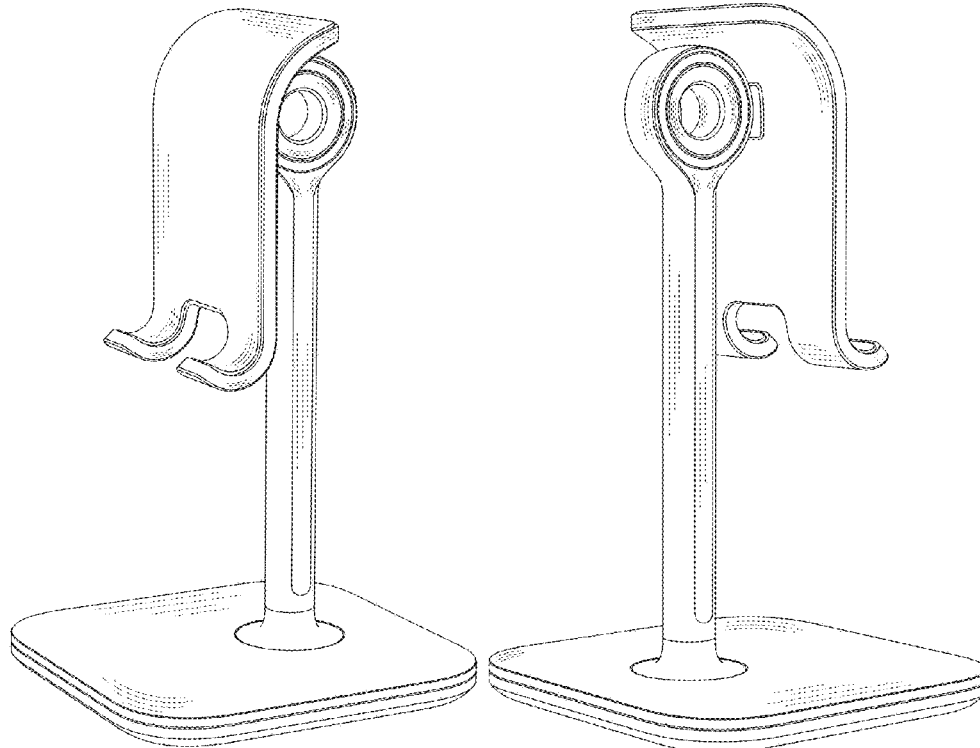
FIG. 5 is a right side elevational view thereof;

FIG. 6 is a top plan view thereof;

FIG. 7 is a bottom plan view thereof; and,

FIG. 8 is another perspective view thereof.

1 Claim, 8 Drawing Sheets



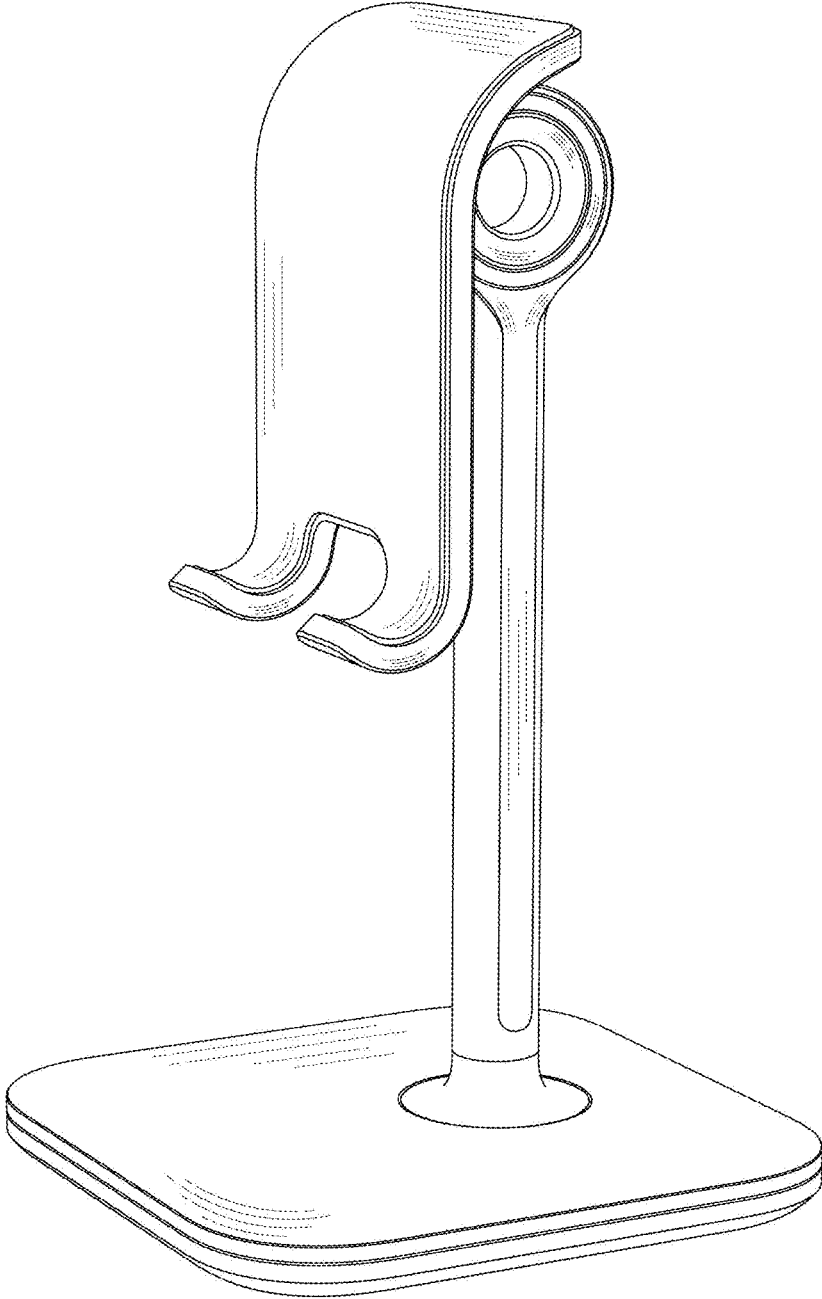


FIG. 1

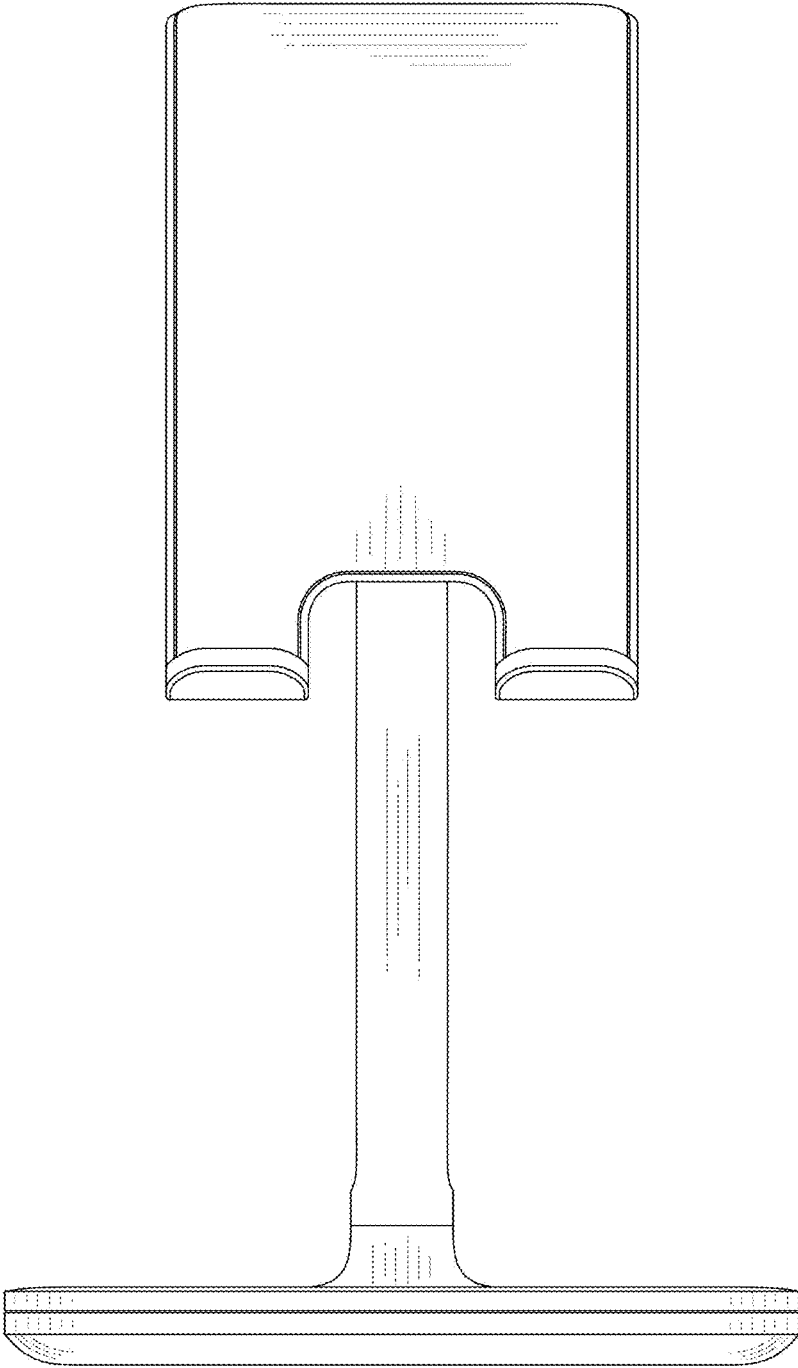


FIG. 2

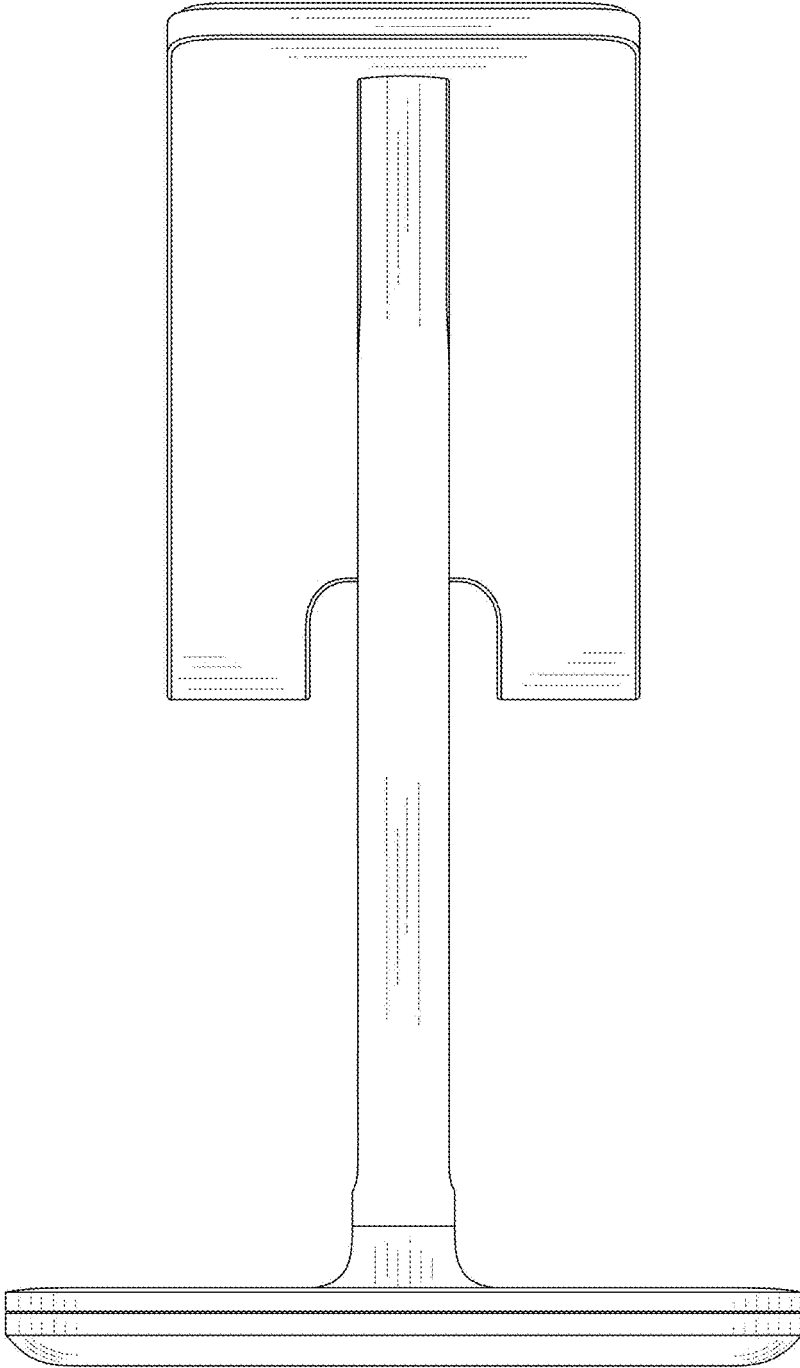


FIG. 3

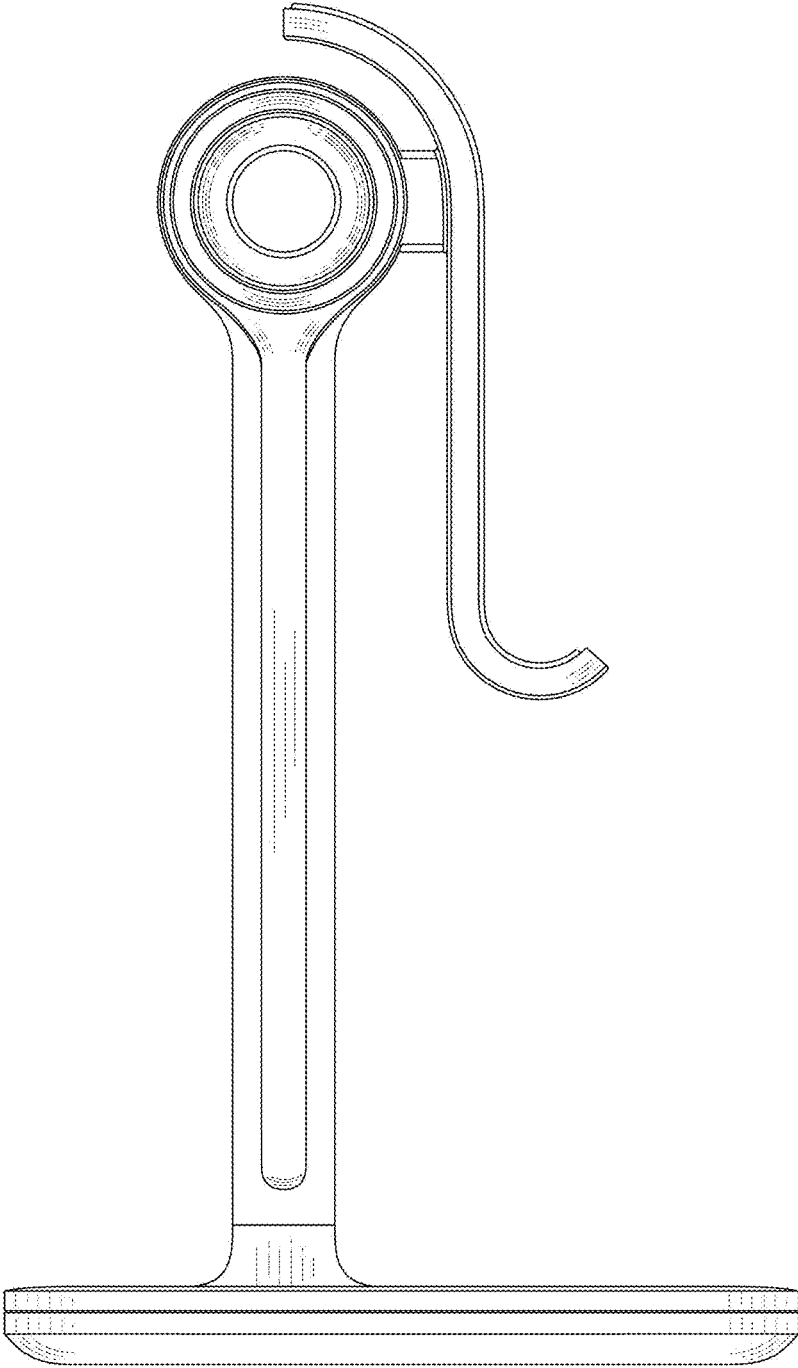


FIG. 4

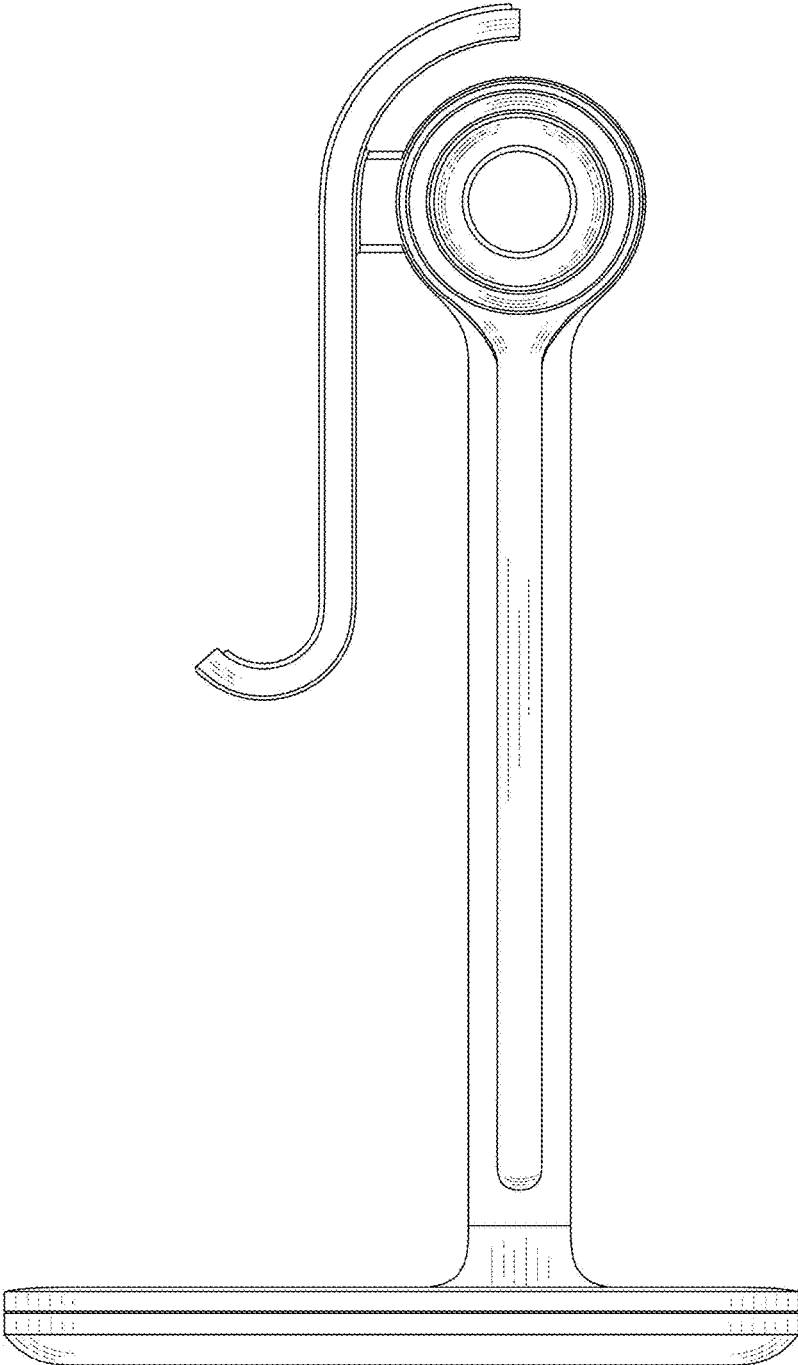


FIG. 5

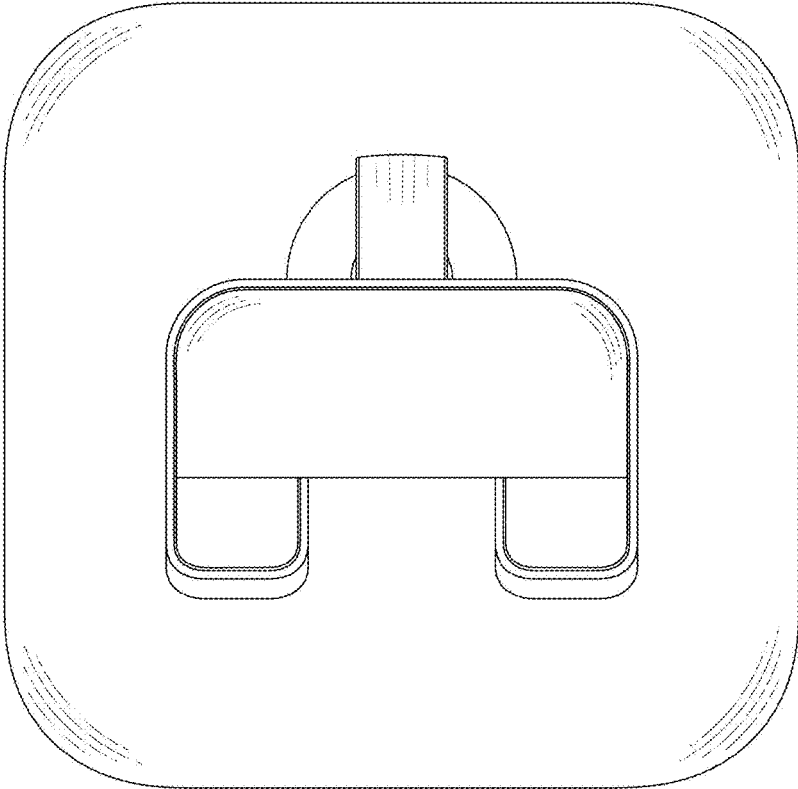


FIG. 6

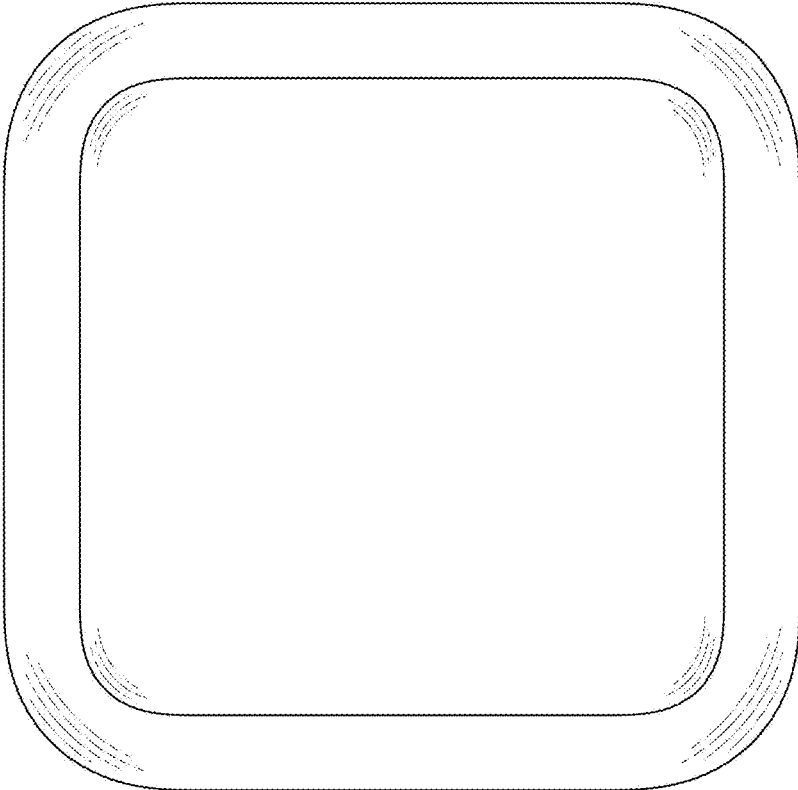


FIG. 7

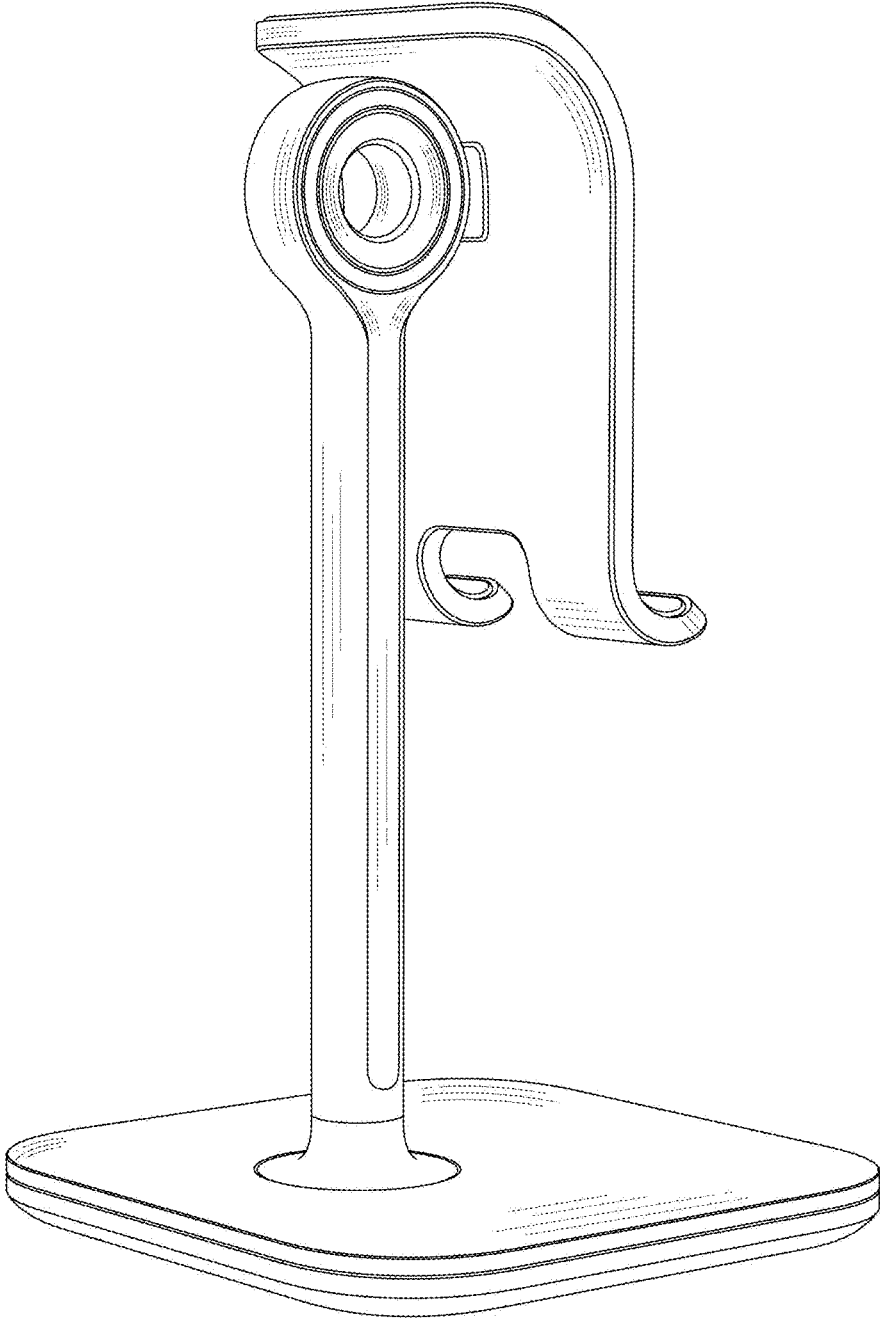


FIG. 8