



US00D436281S

(12) **United States Design Patent**
Thompson

(10) **Patent No.:** **US D436,281 S**

(45) **Date of Patent:** **** Jan. 16, 2001**

- (54) **BABY PAD AND MATTRESS**
- (75) Inventor: **Rick Lee Thompson, Burlington, IA (US)**
- (73) Assignee: **Burlington Basket Company, Burlington, IA (US)**
- (**) Term: **14 Years**
- (21) Appl. No.: **29/120,135**
- (22) Filed: **Mar. 15, 2000**
- (51) **LOC (7) Cl.** **06-09**
- (52) **U.S. Cl.** **D6/596; D6/333**
- (58) **Field of Search** **D6/595, 596, 601, D6/604, 333; 5/630, 632, 636, 638, 640, 644, 652, 652.1, 653-655, 907, 417-420, 656, 427**

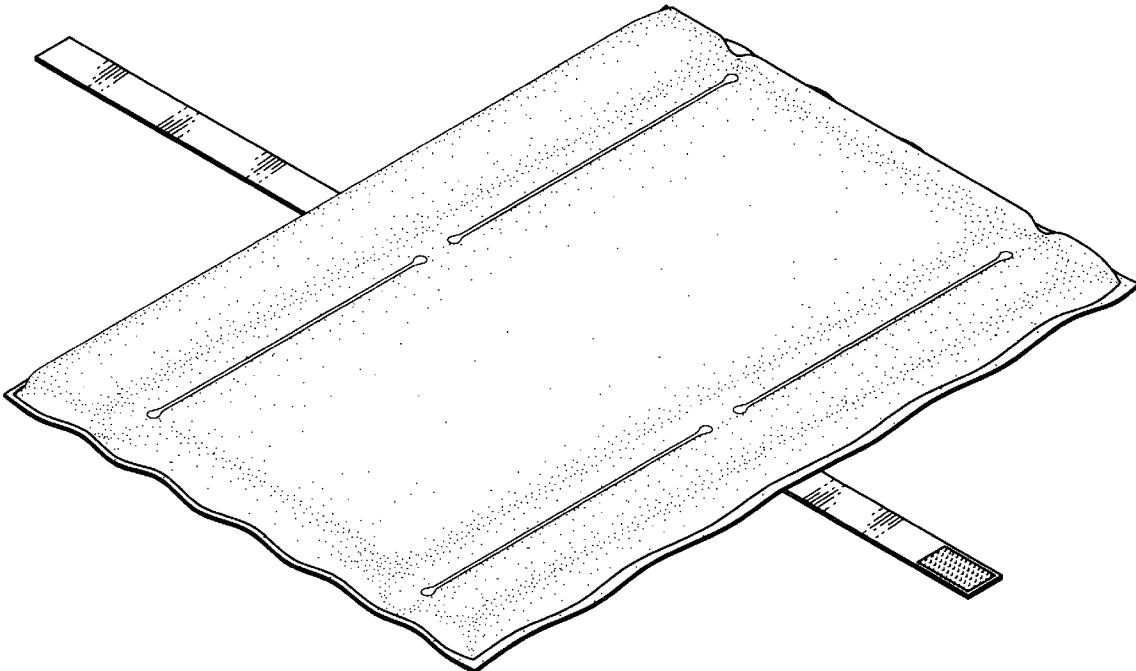
- (56) **References Cited**
- U.S. PATENT DOCUMENTS**
- D. 340,379 * 10/1993 Cain D6/601
- D. 385,743 * 11/1997 Eldridge D6/608
- 2,644,173 * 7/1953 James 5/495
- 3,419,923 * 1/1969 Cowan 5/655

5,197,411 * 3/1993 Schwarzenbart 119/28.5
 * cited by examiner
Primary Examiner—Janice E. Seeger
 (74) *Attorney, Agent, or Firm*—Zarley, McKee, Thomte, Voorhees & Sease

(57) **CLAIM**
 The ornamental design for a baby pad and mattress, substantially as shown and described.

DESCRIPTION
 FIG. 1 is a top perspective view of a baby pad and mattress showing my new design.
 FIG. 2 is a top plan view thereof.
 FIG. 3 is a bottom plan view thereof.
 FIG. 4 is an end elevational view thereof taken from the bottom end in FIG. 2.
 FIG. 5 is an end elevational view thereof taken from the top end in FIG. 2.
 FIG. 6 is a side view thereof taken from the right side in FIG. 2; and,
 FIG. 7 is a side view thereof taken from the left side in FIG. 2.

1 Claim, 5 Drawing Sheets



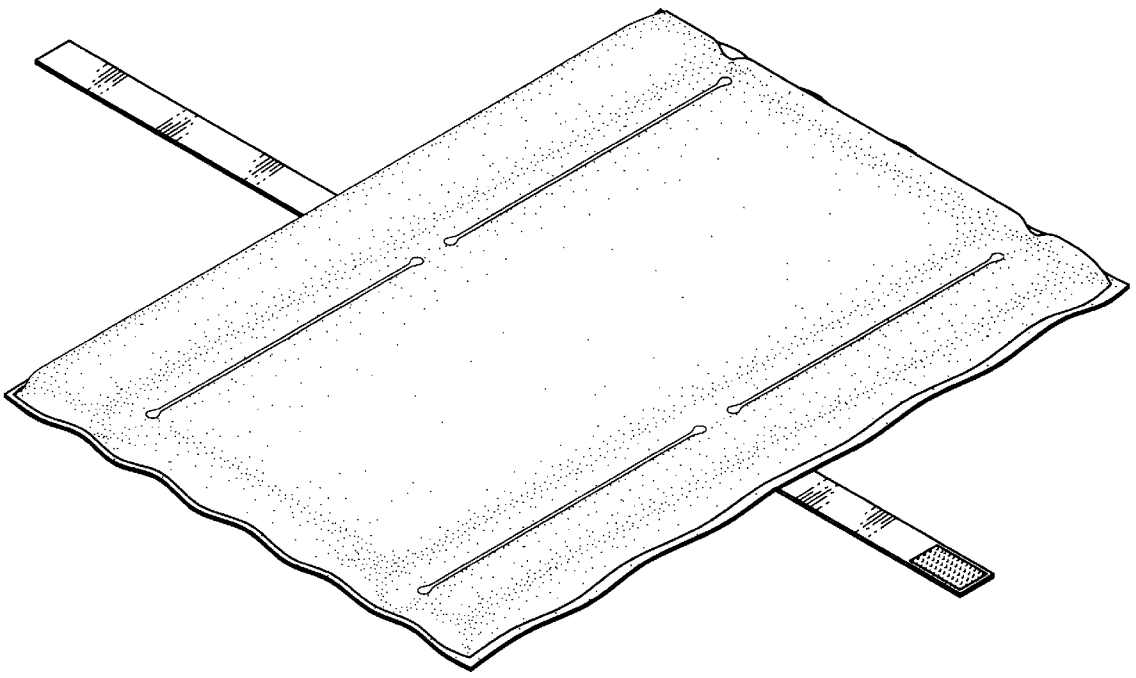


Fig. 1

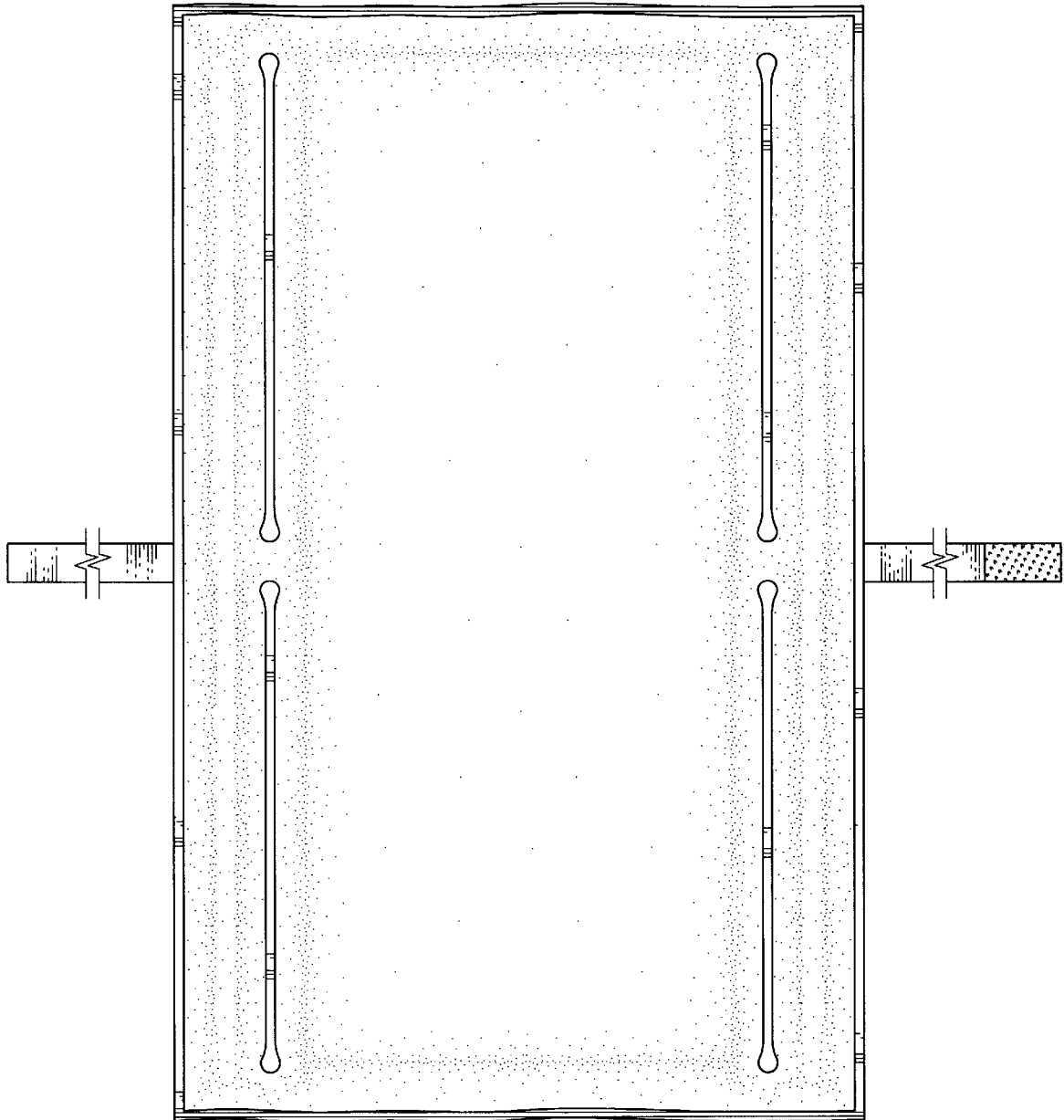


Fig. 2

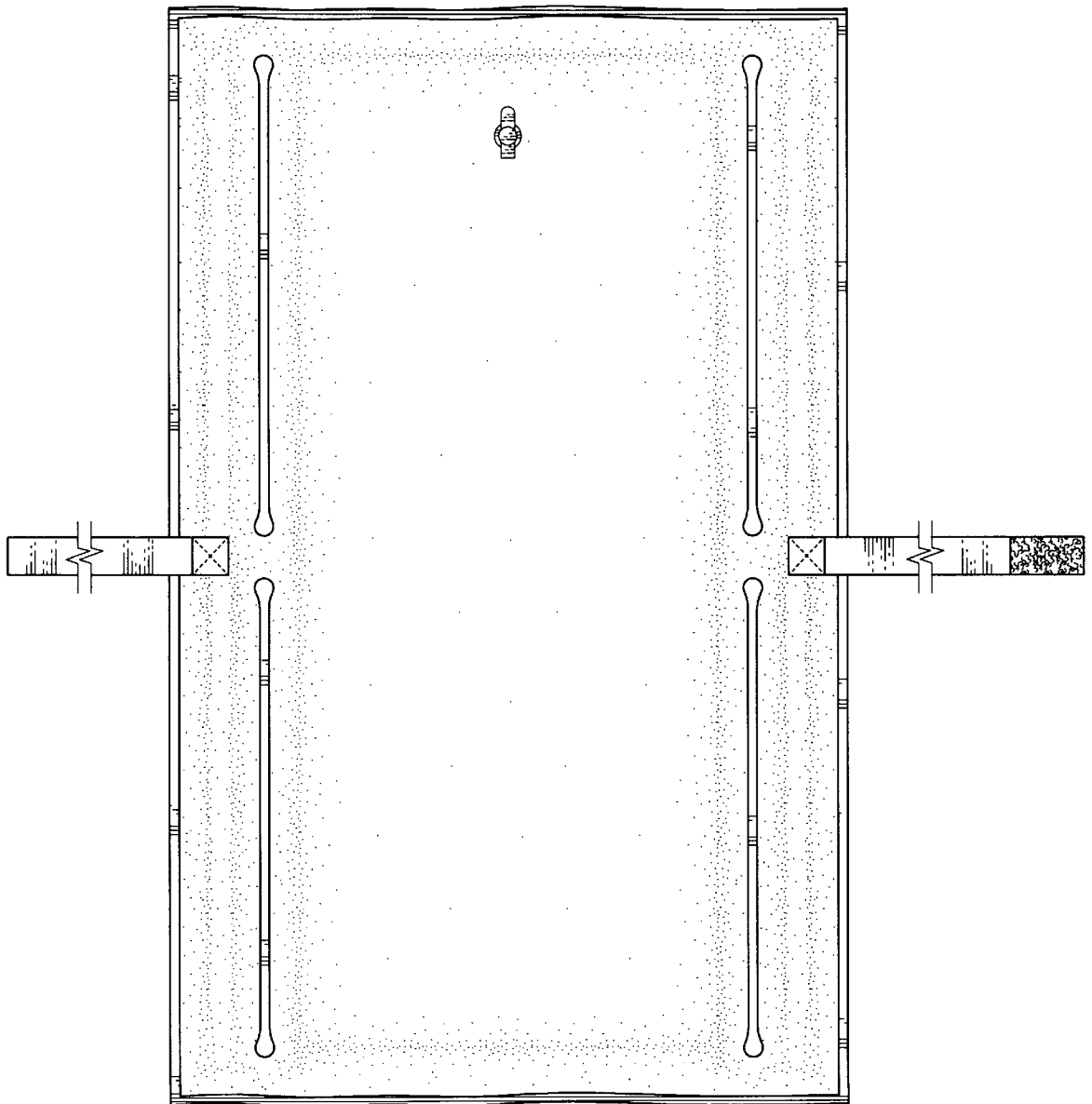


Fig. 3

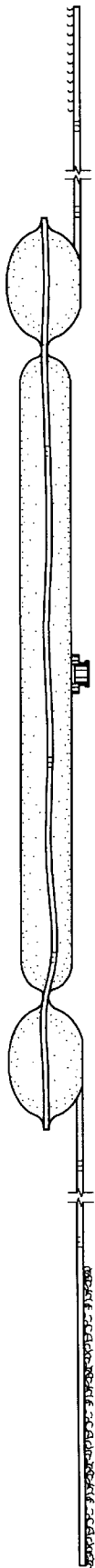


Fig. 4

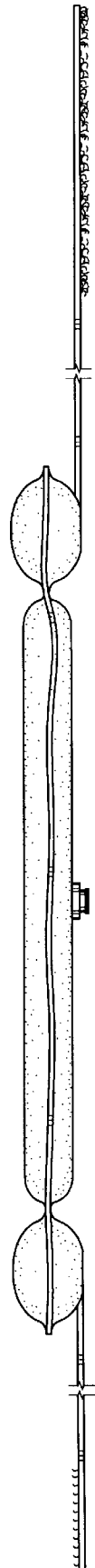


Fig. 5

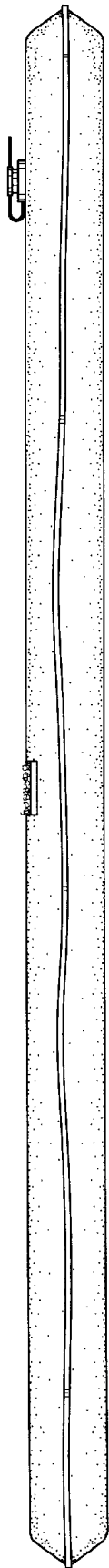


Fig. 6



Fig. 7