



US00D814429S

(12) **United States Design Patent**  
**Flowers et al.**

(10) **Patent No.:** **US D814,429 S**  
(45) **Date of Patent:** **\*\* Apr. 3, 2018**

- (54) **SWITCH**
- (71) Applicant: **Grohe AG**, Hemer (DE)
- (72) Inventors: **Paul Flowers**, London (GB); **Beguem Tomruk**, Duesseldorf (DE)
- (73) Assignee: **Grohe AG**, Hemer (DE)
- (\*\*) Term: **15 Years**
- (21) Appl. No.: **29/576,640**
- (22) Filed: **Sep. 6, 2016**

(30) **Foreign Application Priority Data**

Mar. 4, 2016 (EM) ..... 003012863-0001  
 Mar. 4, 2016 (EM) ..... 003012863-0008

- (51) **LOC (11) CL.** ..... **13-03**
- (52) **U.S. CL.**  
USPC ..... **D13/174**

- (58) **Field of Classification Search**  
USPC ..... D13/171, 173, 174; D7/306, 307, 397;  
D14/485, 487, 489, 492; D15/89;  
D23/250  
CPC ..... H03K 17/96; H03K 17/962; H01H 9/16;  
H01H 9/161; H01H 9/18; H01H 9/182  
See application file for complete search history.

(56) **References Cited**

**U.S. PATENT DOCUMENTS**

D205,357 S \* 7/1966 Stevenson ..... D13/171  
 D339,543 S \* 9/1993 Martin ..... D10/108  
 D464,329 S \* 10/2002 Mainiero ..... D13/169  
 D553,163 S \* 10/2007 Choi ..... D15/89  
 D602,728 S \* 10/2009 Cesa ..... D7/307  
 7,743,438 B2 \* 6/2010 Chen ..... E03C 1/057  
 137/801  
 D624,930 S \* 10/2010 Agnetta ..... D14/487

D677,275 S \* 3/2013 Wujcik ..... D14/487  
 D705,825 S \* 5/2014 Lafond ..... D15/89  
 D712,847 S \* 9/2014 Dorn ..... D13/174  
 D715,336 S \* 10/2014 Sin ..... D15/89  
 D738,891 S \* 9/2015 Bae ..... G06F 3/04817  
 D14/485  
 D738,913 S \* 9/2015 Cabrera-Cordon ..... D14/491  
 D752,608 S \* 3/2016 Oh ..... D14/485  
 D753,153 S \* 4/2016 Chang ..... D14/485  
 D753,679 S \* 4/2016 Chang ..... D14/485  
 D754,150 S \* 4/2016 Oh ..... D14/485  
 D759,713 S \* 6/2016 Ogg ..... D14/489  
 D761,287 S \* 7/2016 Kim ..... D14/486  
 D762,657 S \* 8/2016 Chang ..... D14/485  
 D764,520 S \* 8/2016 Lee ..... D14/488  
 D767,650 S \* 9/2016 Micheviz ..... D15/89  
 D775,151 S \* 12/2016 Dellinger ..... D14/485  
 D777,783 S \* 1/2017 Oh ..... D14/492  
 D778,669 S \* 2/2017 Kestenbaum ..... D10/46.2  
 D785,003 S \* 4/2017 Yun ..... D14/485  
 D786,805 S \* 5/2017 Anderson ..... D13/174  
 D795,288 S \* 8/2017 McColl ..... D14/488  
 D803,989 S \* 11/2017 Flowers ..... D23/250  
 2005/0126897 A1 \* 6/2005 Stephens ..... H01H 13/04  
 200/5 A

(Continued)

*Primary Examiner* — Selina Sikder  
 (74) *Attorney, Agent, or Firm* — Muncy, Geissler, Olds & Lowe, P.C.

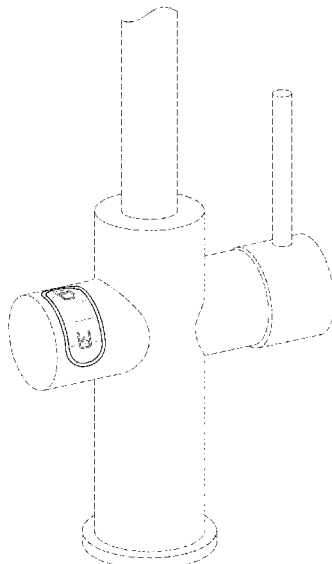
(57) **CLAIM**

The ornamental design for a switch, as shown and described.

**DESCRIPTION**

FIG. 1 is a front view of a switch according to the present invention; and,  
 FIG. 2 illustrates the switch of FIG. 1 on a faucet base.  
 The dashed lines illustrate environment that does not form a part of the present invention, and no claim is made to the material illustrated with dashed lines.

**1 Claim, 2 Drawing Sheets**



(56)

**References Cited**

## U.S. PATENT DOCUMENTS

2005/0268624 A1\* 12/2005 Voglewede ..... F25D 23/126  
62/126  
2007/0138421 A1\* 6/2007 Gibson ..... E03C 1/057  
251/129.04  
2007/0152074 A1\* 7/2007 Stowe ..... E03C 1/055  
236/12.1  
2009/0241621 A1\* 10/2009 Shi ..... H01H 13/06  
70/395  
2009/0268382 A1\* 10/2009 Zhao ..... H01H 13/14  
361/679.01  
2010/0043466 A1\* 2/2010 Oh ..... F25D 23/12  
62/125  
2010/0238053 A1\* 9/2010 Schmidt ..... G06F 3/016  
341/20  
2011/0221509 A1\* 9/2011 Bergamo ..... G06F 3/044  
327/517  
2011/0234429 A1\* 9/2011 Burchill ..... G06F 3/04847  
341/33  
2013/0340162 A1\* 12/2013 Peel ..... F17D 1/00  
4/676  
2015/0247668 A1\* 9/2015 Willis ..... F25B 49/02  
62/129  
2017/0218608 A1\* 8/2017 Chen ..... E03C 1/055  
2017/0350107 A1\* 12/2017 Braddock ..... A47K 3/001  
2018/0031141 A1\* 2/2018 Ye ..... F16K 31/3855

\* cited by examiner

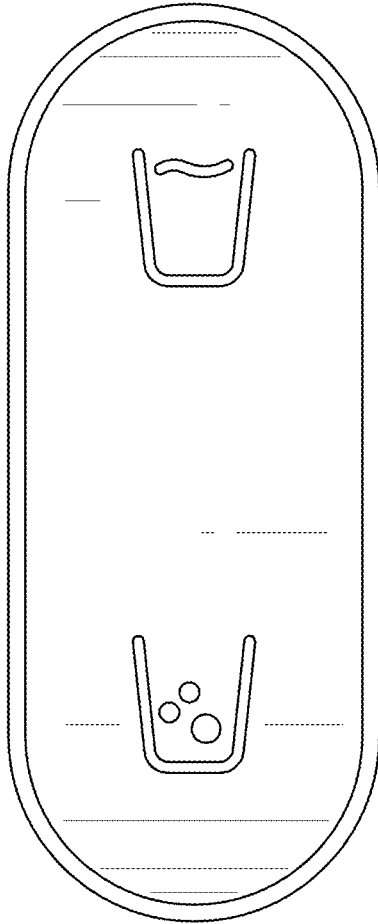


FIG.1

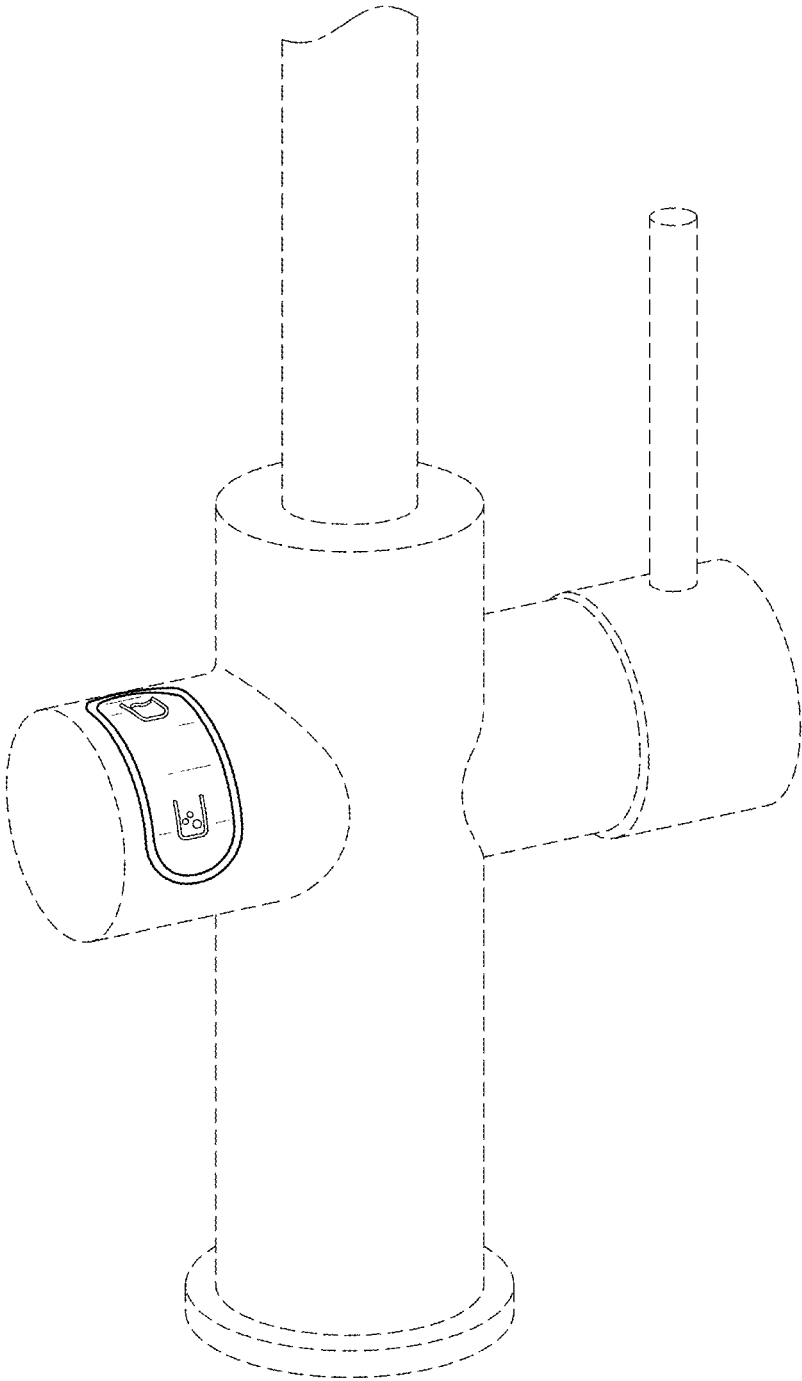


FIG.2