



US00D898576S

(12) **United States Design Patent**
Gustafsson et al.

(10) **Patent No.:** **US D898,576 S**

(45) **Date of Patent:** **** Oct. 13, 2020**

(54) **BOTTLE**

(71) Applicant: **PepsiCo, Inc.**, Purchase, NY (US)

(72) Inventors: **Niklas Gustafsson**, New York, NY (US); **Christopher Nobles**, Brooklyn, NY (US); **Gustavo de Souza Messias**, Milan (IT); **Christopher John Miller**, Milan (IT)

(73) Assignee: **PepsiCo, Inc.**, Purchase, NY (US)

(**) Term: **15 Years**

(21) Appl. No.: **29/739,452**

(22) Filed: **Jun. 25, 2020**

Related U.S. Application Data

(63) Continuation of application No. 29/680,120, filed on Feb. 13, 2019, now Pat. No. Des. 889,974.

(51) **LOC (12) Cl.** **09-01**

(52) **U.S. Cl.**

USPC **D9/516**; D9/530; D9/551

(58) **Field of Classification Search**

USPC D9/434, 505, 516, 540, 550, 560, 668, D9/670, 681, 687, 694, 700, 537, 538, D9/500, 552, 556, 539, 520, 502, 530; D7/500-524, 532, 525, 526, 535, 587, D7/603, 605, 608; D11/131, 184

CPC .. B65D 1/0223; B65D 83/205; B65D 83/206; B65D 2501/0081; B65D 79/005; B65D 2501/0036; B65D 1/0276; B65D 1/0284; Y10S 220/906; B29L 2031/7158; B29B 2911/14026; B29C 49/06; B29C 49/0005

See application file for complete search history.

(56) **References Cited**

U.S. PATENT DOCUMENTS

D116,861 S 9/1939 Mas
D204,711 S * 5/1966 Plummer D9/552

D226,175 S * 1/1973 Bystedt D9/552
D228,445 S * 9/1973 Stanley D9/552
D259,021 S * 4/1981 Khovaylo D9/552
D292,269 S 10/1987 Jacobs et al.
D292,374 S 10/1987 Jacobs et al.
D292,375 S 10/1987 Jacobs et al.
D348,606 S 7/1994 Edstrom
D351,121 S * 10/1994 Lauchlan D11/143
5,385,250 A 1/1995 Pasquale
D381,272 S * 7/1997 Coons D9/540
D435,795 S 1/2001 Bretz et al.

(Continued)

FOREIGN PATENT DOCUMENTS

CN 301631664 * 8/2011
CN 305079755 * 3/2019

Primary Examiner — Brett Miller

Assistant Examiner — Rani J Abdallah

(74) *Attorney, Agent, or Firm* — Sterne, Kessler, Goldstein & Fox P.L.L.C.

(57) **CLAIM**

The ornamental design for a bottle, as shown and described.

DESCRIPTION

FIG. 1 is a top front perspective view of a bottle showing the claimed design;

FIG. 2 is a bottom rear perspective view thereof;

FIG. 3 is a front view thereof;

FIG. 4 is a rear view thereof;

FIG. 5 is a left side view thereof;

FIG. 6 is a right side view thereof;

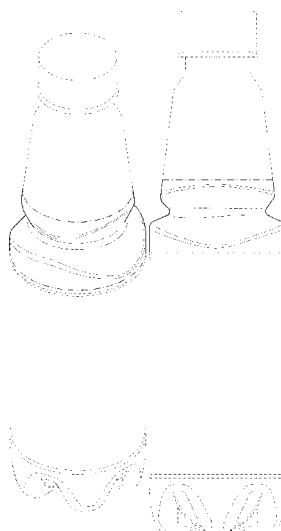
FIG. 7 is a top view thereof; and,

FIG. 8 is a bottom view thereof.

The dashed broken lines in the figures show portions of the bottle that form no part of the claimed design.

The dot-dash broken lines in the figures show boundaries that form no part of the claimed design.

1 Claim, 4 Drawing Sheets



(56)

References Cited

U.S. PATENT DOCUMENTS

D450,589 S	11/2001	Haake et al.		D573,477 S *	7/2008	Caldwell	D9/540
D457,055 S *	5/2002	Ranchetti	D9/557	D584,628 S *	1/2009	Lepoitevin	B65D 23/102
D466,023 S *	11/2002	Eickmeier	D9/552				D9/538
D469,358 S	1/2003	Bryant et al.		D620,371 S *	7/2010	Bronstein	D9/551
D469,359 S	1/2003	Bryant et al.		D630,103 S *	1/2011	Lepoitevin	D9/551
D469,695 S	2/2003	Bryant et al.		D652,723 S	1/2012	Reisig	
D469,696 S	2/2003	Bryant et al.		D663,625 S	7/2012	Warneke et al.	
D476,896 S	7/2003	Cheng et al.		D706,634 S	6/2014	Herman et al.	
D502,100 S	2/2005	Bretz et al.		D787,945 S *	5/2017	Rashid	D9/539
D502,877 S *	3/2005	Stockwell	D9/551	D810,510 S *	2/2018	Serruya	D7/511
D512,312 S	12/2005	Bretz et al.		D813,046 S *	3/2018	Llewellyn	D9/552
D516,922 S *	3/2006	Stockwell	D9/551	10,322,855 B2 *	6/2019	Heiberger	B65D 43/164
7,172,087 B1 *	2/2007	Axe	B65D 1/32 215/381	D885,923 S *	6/2020	Omdahl, II	D9/530
D543,462 S	5/2007	Pedmo et al.		2007/0045220 A1	3/2007	Pedmo et al.	
D550,096 S *	9/2007	Zboch	D9/551	2007/0160787 A1	7/2007	Jansen et al.	
D564,889 S *	3/2008	Boon	D9/551	2015/0147497 A1	5/2015	Brouwer	
D568,163 S	5/2008	Melrose et al.		2017/0166346 A1 *	6/2017	Cornell	A45C 15/00
				2018/0086517 A1 *	3/2018	Heiberger	B65D 41/023
				2019/0029469 A1 *	1/2019	Jones	A45F 3/16
				2019/0119014 A1 *	4/2019	Heiberger	B65D 23/104

* cited by examiner

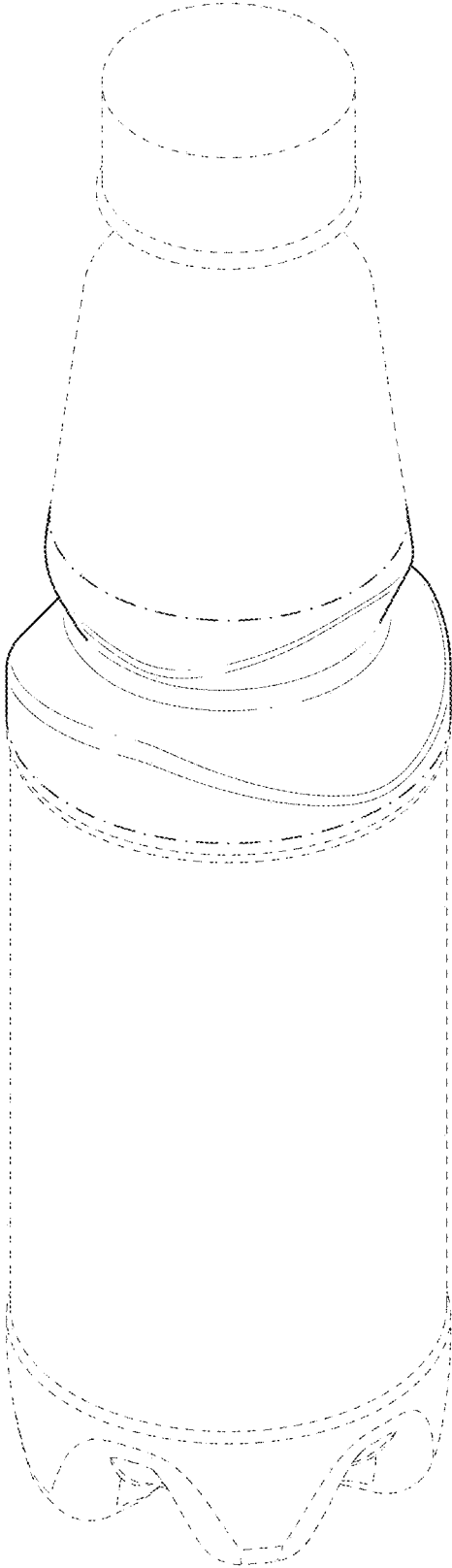


FIG. 1

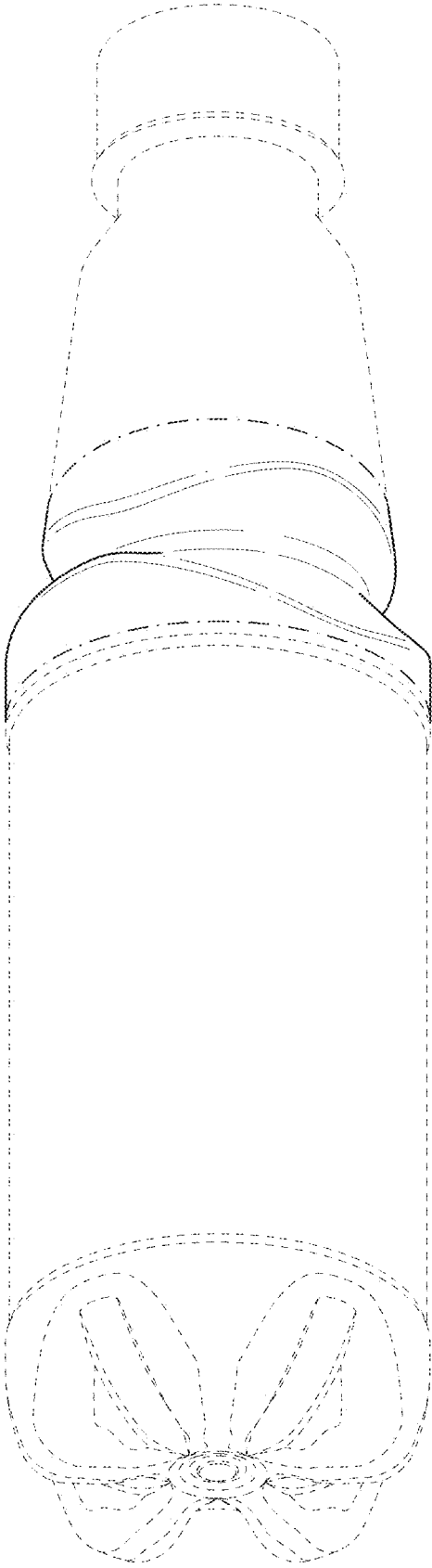


FIG. 2

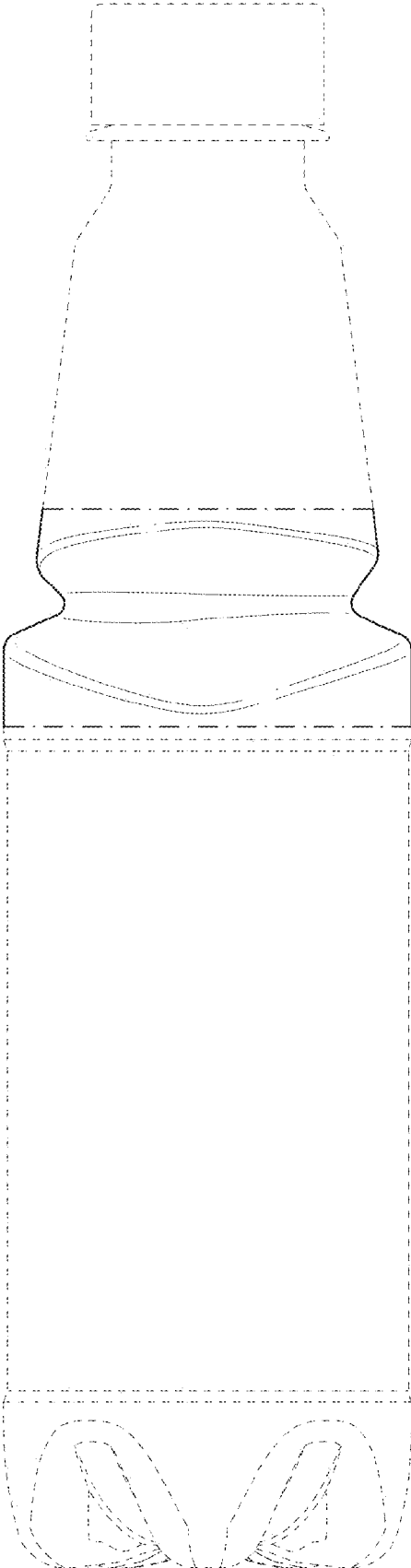


FIG. 3

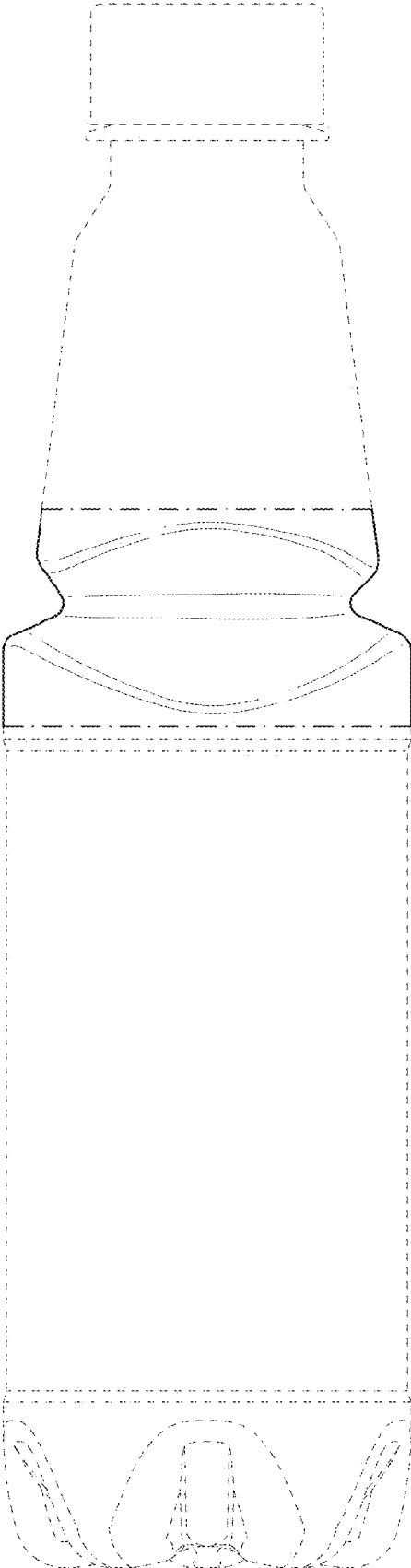


FIG. 4

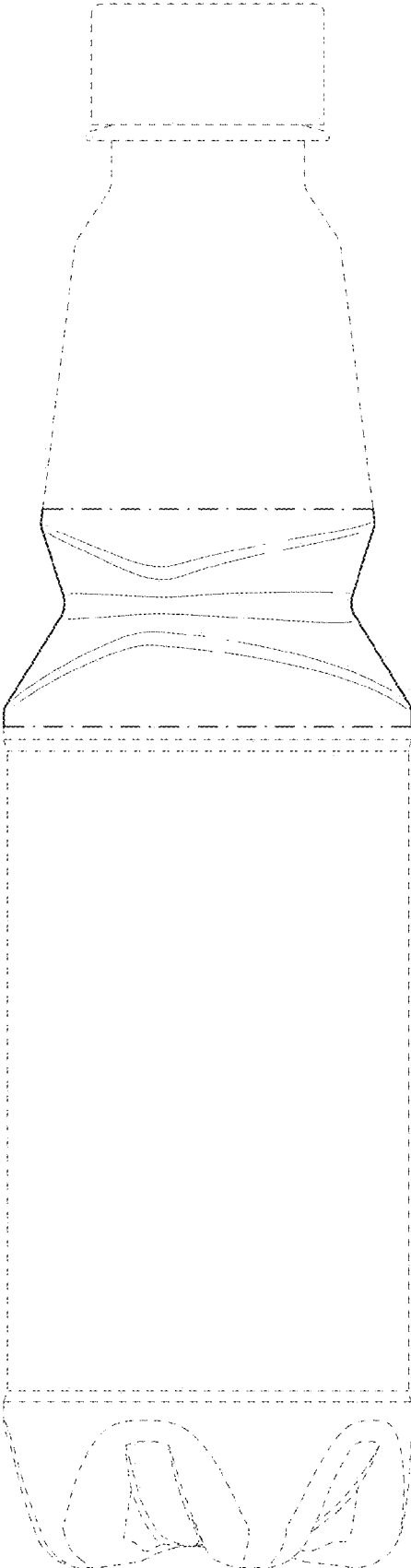


FIG. 5

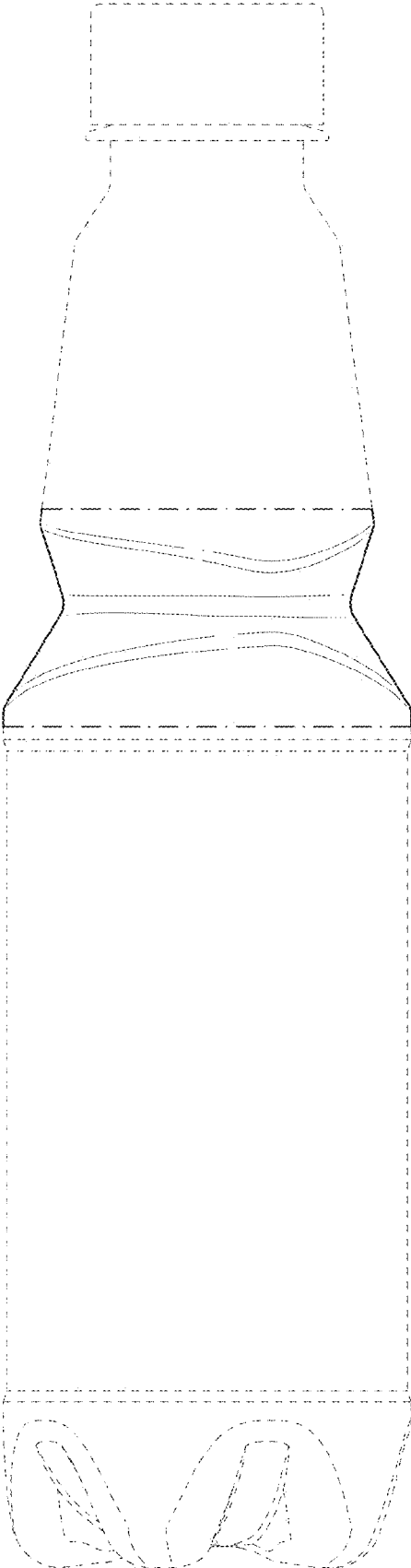


FIG. 6

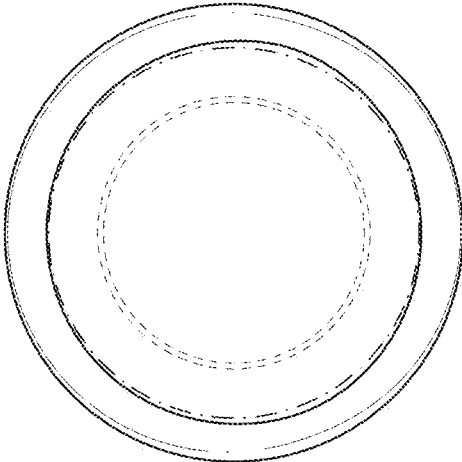


FIG. 7

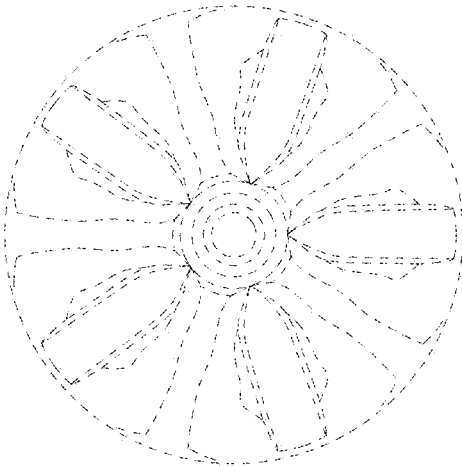


FIG. 8