



US00D642390S

(12) **United States Design Patent**  
**West**

(10) **Patent No.:** **US D642,390 S**

(45) **Date of Patent:** **\*\* Aug. 2, 2011**

(54) **BARRIER STRUCTURE**

(75) Inventor: **Colin Campbell West**, Stuart Park (AU)

(73) Assignee: **Framelock Structures Pty Ltd.**, Stuart Park (AU)

(\*\*) Term: **14 Years**

(21) Appl. No.: **29/317,096**

(22) Filed: **Apr. 22, 2008**

(30) **Foreign Application Priority Data**

Oct. 22, 2007 (AU) ..... 20368/2007  
Oct. 22, 2007 (AU) ..... 20369/2007

(51) **LOC (9) Cl.** ..... **06-01**

(52) **U.S. Cl.** ..... **D6/332**

(58) **Field of Classification Search** ..... D6/332,  
D6/396, 397, 449, 509, 432; D25/48, 58;  
312/3-6, 195, 210, 265.4; 160/130, 131,  
160/167 V, 215, 236; 211/180; D20/10,  
D20/39, 41; D14/307; 108/152

See application file for complete search history.

(56) **References Cited**

**U.S. PATENT DOCUMENTS**

D135,362	S	*	3/1943	Myers	.....	D25/58
2,636,224	A	*	4/1953	Murdoch et al.	.....	52/36.1
D223,195	S	*	3/1972	Young	.....	D23/305
D279,201	S	*	6/1985	Shuman	.....	D20/43
5,255,803	A	*	10/1993	Pavone et al.	.....	211/189
5,605,238	A	*	2/1997	Jacobs	.....	211/90.01
5,607,070	A	*	3/1997	Hellyer	.....	211/189
D397,562	S	*	9/1998	DePottety et al.	.....	D6/468
D422,796	S	*	4/2000	Milligan et al.	.....	D6/332
6,260,489	B1	*	7/2001	Weaver et al.	.....	108/152

D481,466	S	*	10/2003	Mueller et al.	.....	D25/58
6,658,805	B1	*	12/2003	Yu et al.	.....	52/239
7,051,482	B2	*	5/2006	MacDonald et al.	.....	52/239
D532,118	S	*	11/2006	Reese	.....	D25/65
7,210,277	B2	*	5/2007	Steed et al.	.....	52/782.1
D559,565	S	*	1/2008	Bakker et al.	.....	D6/332
D583,591	S	*	12/2008	Jung et al.	.....	D6/494
7,654,060	B2	*	2/2010	Steed et al.	.....	52/782.1

\* cited by examiner

*Primary Examiner* — Sandra Snapp

(74) *Attorney, Agent, or Firm* — Rothwell, Figg, Ernst & Manbeck, P.C.

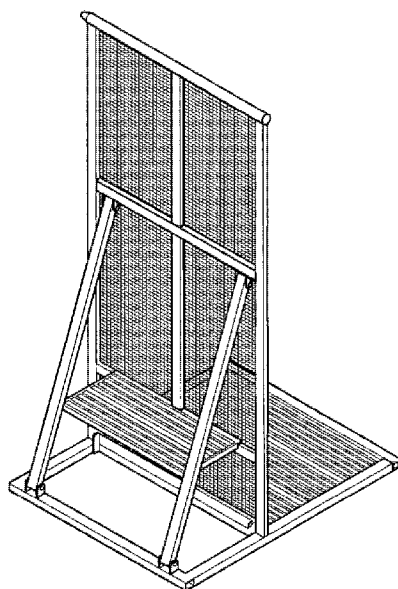
(57) **CLAIM**

The ornamental design for a barrier structure, as shown and described.

**DESCRIPTION**

FIG. 1 shows a rear perspective view of the first embodiment; FIG. 2 shows a front perspective view thereof; FIG. 3 shows a plan view thereof; FIG. 4 shows a front view thereof; FIG. 5 shows a side view thereof; FIG. 6 shows a rear view thereof; FIG. 7 shows a collapsed plan view of a second embodiment; FIG. 8 shows a collapsed perspective view of the second embodiment; FIG. 9 shows a collapsed end view of the second embodiment; FIG. 10 shows a collapsed side view of the second embodiment; FIG. 11 shows a rear perspective view of the second embodiment; and, FIG. 12 shows a front perspective view of the second embodiment.

**1 Claim, 5 Drawing Sheets**



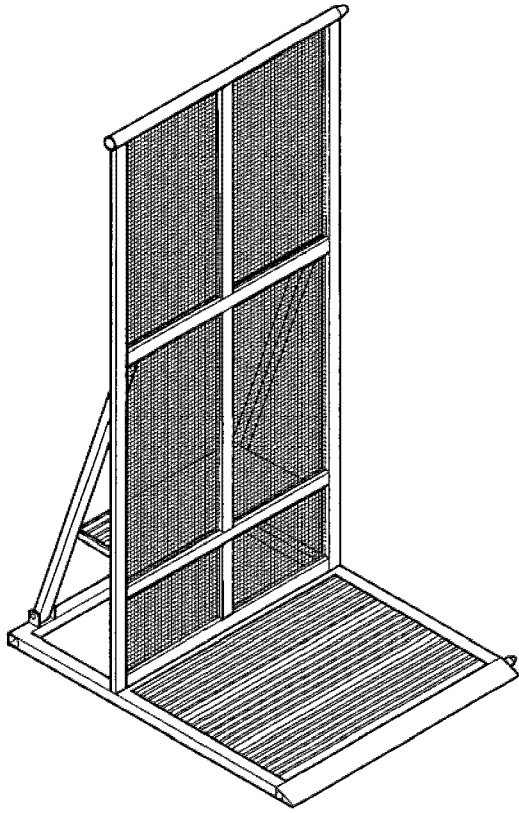


FIG 2

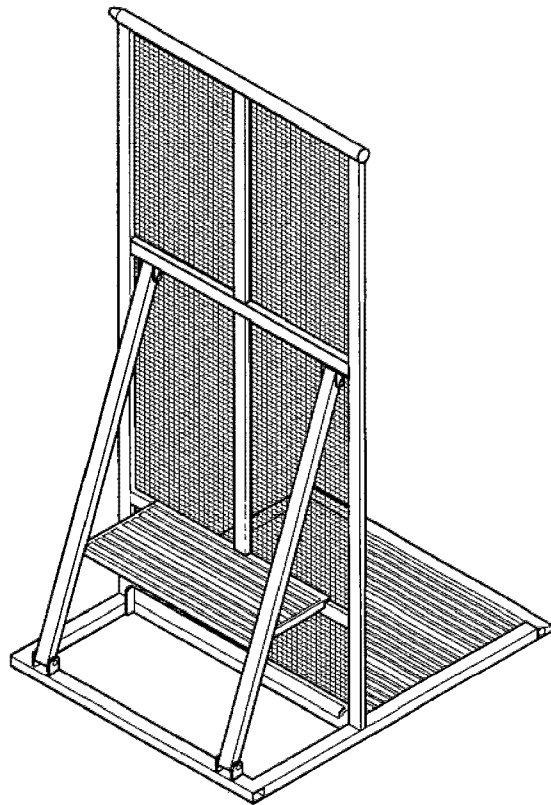


FIG 1

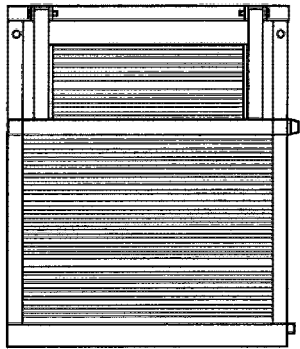


FIG 3

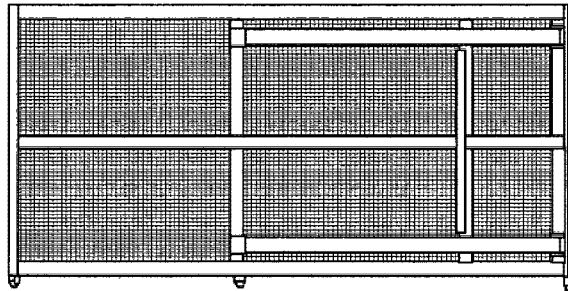


FIG 6

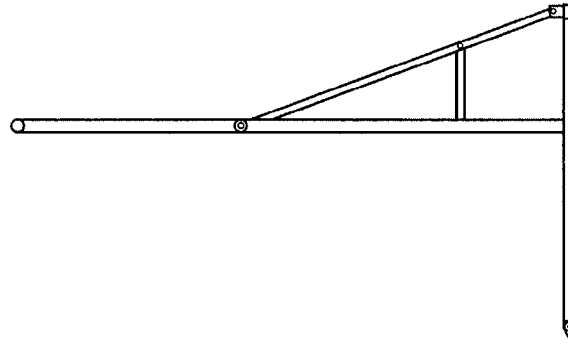


FIG 5

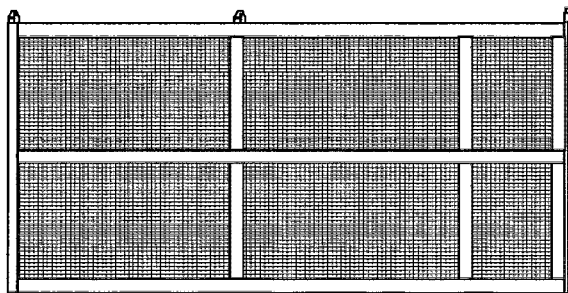


FIG 4

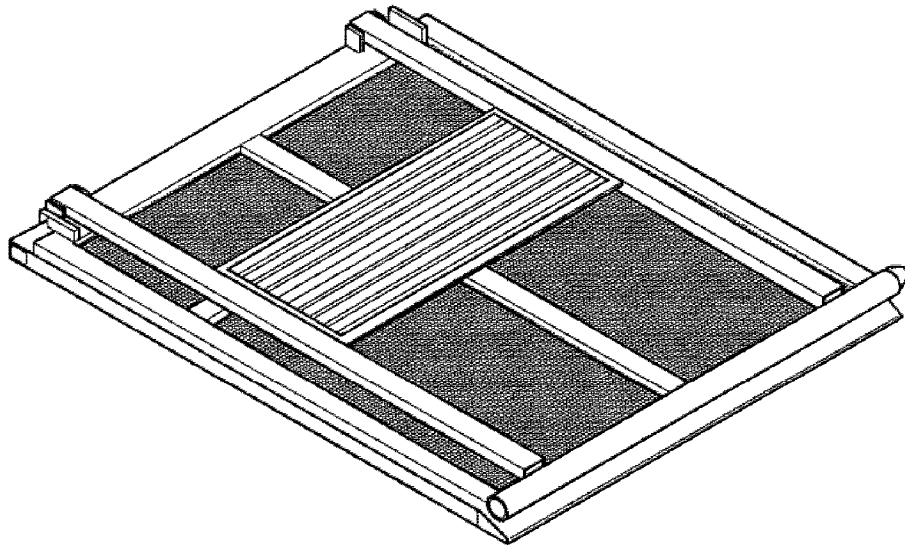


FIG 8

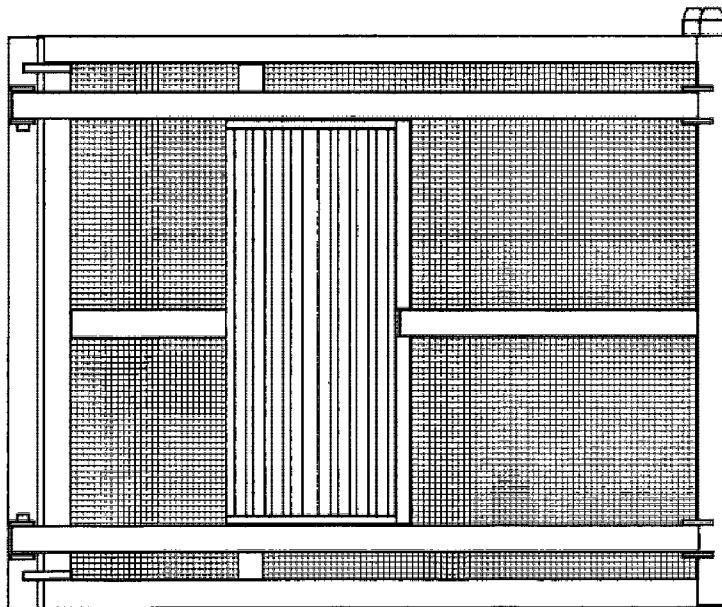


FIG 7

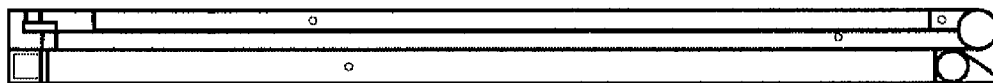


FIG 10



FIG 9

