



(12) **United States Design Patent**
Li et al.

(10) **Patent No.:** **US D876,585 S**
(45) **Date of Patent:** **** Feb. 25, 2020**

- (54) **ROUGH-IN VALVE**
- (71) Applicant: **AS IP HOLDCO, LLC**, Piscataway, NJ (US)
- (72) Inventors: **Hsiao Chang Li**, Edison, NJ (US); **Walter Pitsch**, Washington, NJ (US)
- (73) Assignee: **AS AMERICA, INC.**, Piscataway, NJ (US)
- (**) Term: **15 Years**
- (21) Appl. No.: **29/647,064**
- (22) Filed: **May 9, 2018**
- (51) **LOC (12) Cl.** **23-01**
- (52) **U.S. Cl.**
USPC **D23/233**
- (58) **Field of Classification Search**
USPC D23/233
CPC E03B 7/09; F16K 19/006
See application file for complete search history.

D639,392 S * 6/2011 Yamada D23/233
 8,176,934 B2 5/2012 Niver
 8,312,897 B2 11/2012 Niver
 (Continued)

OTHER PUBLICATIONS

American Standard RU101SS Flash Shower Rough-In Valve, posted at amazon.com, posting date Dec. 1, 2018, [online], [site visited Oct. 9, 2019]. Available from Internet, URL: <https://www.amazon.com/American-Standard-RU101SS-Screwdriver-Unfinished/dp/B07L1L94GR> (Year: 2018).*

(Continued)

Primary Examiner — George D. Kirschbaum
Assistant Examiner — Maria J Edwards
 (74) *Attorney, Agent, or Firm* — Morgan, Lewis & Bockius LLP

(57) **CLAIM**

The ornamental design for a rough-in valve, as shown and described.

DESCRIPTION

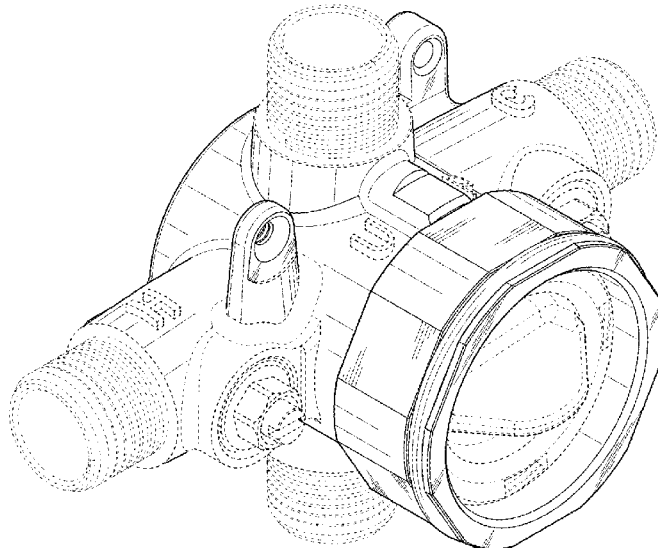
FIG. 1 is a front, top, right-side perspective view of a rough-in valve in accordance with our new design; FIG. 2 is a rear, bottom, left-side perspective view thereof; FIG. 3 is a front elevational view thereof; FIG. 4 is a rear elevational view thereof; FIG. 5 is a left-side elevational view thereof; FIG. 6 is a right-side elevational view thereof; FIG. 7 is a top plan view thereof; and, FIG. 8 is a bottom plan view thereof.

The broken lines immediately adjacent the shaded area represent the bounds of the claimed design while all other broken lines are directed to environment and are for illustrative purposes only; the broken lines form no part of the claimed design.

1 Claim, 8 Drawing Sheets

(56) **References Cited**
U.S. PATENT DOCUMENTS

4,609,007	A	9/1986	Uhl
5,518,019	A	5/1996	Clare
5,546,983	A	8/1996	Clare
6,279,604	B1	8/2001	Korb et al.
6,453,943	B1	9/2002	Chang
6,640,357	B1	11/2003	Chang
6,718,569	B2	5/2004	Burger et al.
6,802,424	B2	10/2004	Ouyoung
6,805,151	B1	10/2004	Chang
6,832,396	B1	12/2004	Lin
6,880,565	B2	4/2005	Ouyoung
7,066,204	B2	6/2006	Marty
7,163,157	B2	1/2007	Goncze et al.
7,188,641	B2	3/2007	Yang
7,509,976	B2	3/2009	McNerney et al.
7,819,134	B2	10/2010	Izzy et al.
7,823,603	B2	11/2010	Cochart et al.



(56)

References Cited

U.S. PATENT DOCUMENTS

8,371,332	B2	2/2013	Cruickshank et al.	
8,820,352	B2	9/2014	Yu	
D748,226	S *	1/2016	Aoki	D23/233
D755,348	S *	5/2016	Mitsuoka	D23/233
9,334,971	B2	5/2016	Brouwer et al.	
9,816,637	B2	11/2017	Brouwer et al.	
9,856,991	B2	1/2018	Williams	
9,874,287	B2	1/2018	Brouwer et al.	
D822,165	S *	7/2018	Rycroft	D23/233
D844,750	S *	4/2019	Wilson	D23/233
D845,438	S *	4/2019	Wintch	D23/233
2008/0053528	A1	3/2008	Breda	
2011/0126919	A1	6/2011	Izzy et al.	
2012/0138177	A1	6/2012	Wang	
2015/0308086	A1	10/2015	Feng	
2015/0331431	A1	11/2015	Graves et al.	
2016/0341325	A1	11/2016	Ye et al.	
2017/0059053	A1 *	3/2017	Aykens	E03C 1/021
2019/0242776	A1 *	8/2019	Chang	G01M 3/2815

OTHER PUBLICATIONS

American Standard RU102SS Flash Shower Rough-in Valve, posted at amazon.com, posting date Dec. 1, 2018, [online], [site visited

Oct. 9, 2019]. Available from Internet, URL: <https://www.amazon.com/American-Standard-RU10255-Screwdriver-Unfinished/dp/B07L1VGY89/> (Year: 2018).*

American Standard RU107ESS Flash Shower Rough-in Valve, posted at amazon.com, posting date Dec. 1, 2018, [online], [site visited Oct. 9, 2019]. Available from Internet, URL: <https://www.amazon.com/American-Standard-RU107ESS-Screwdriver-Unfinished/dp/B07L1W5P1S/> (Year: 2018).*

American Standard RU108E Flash Shower Rough-in Valve, posted at amazon.com, posting date Dec. 1, 2018, [online], [site visited Oct. 9, 2019]. Available from Internet, URL: <https://www.amazon.com/American-Standard-RU108E-Universal-Unfinished/dp/B07L1V6CQ7/> (Year: 2018).*

American Standard RU108SS Flash Shower Rough-In Valve, posted at amazon.com, posting date Dec. 1, 2018, [online], [site visited Oct. 9, 2019]. Available from Internet, URL: <https://www.amazon.com/American-Standard-RU10855-Screwdriver-Unfinished/dp/B07L1VHH24/> (Year: 2018).*

American Standard RU109SS Flash Shower Rough-In Valve, posted at amazon.com, posting date Dec. 1, 2018, [online], [site visited Oct. 9, 2019]. Available from Internet, URL: <https://www.amazon.com/American-Standard-RU10955-Screwdriver-Unfinished/dp/B07L1TCTFQ/> (Year: 2018).*

* cited by examiner

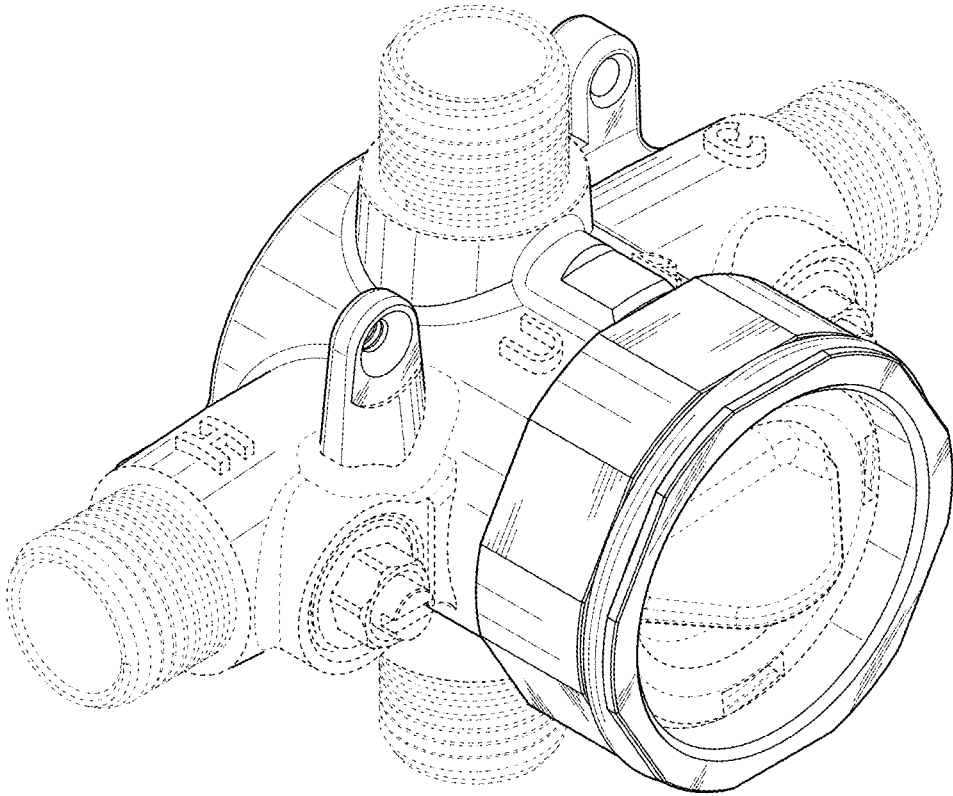


FIG. 1

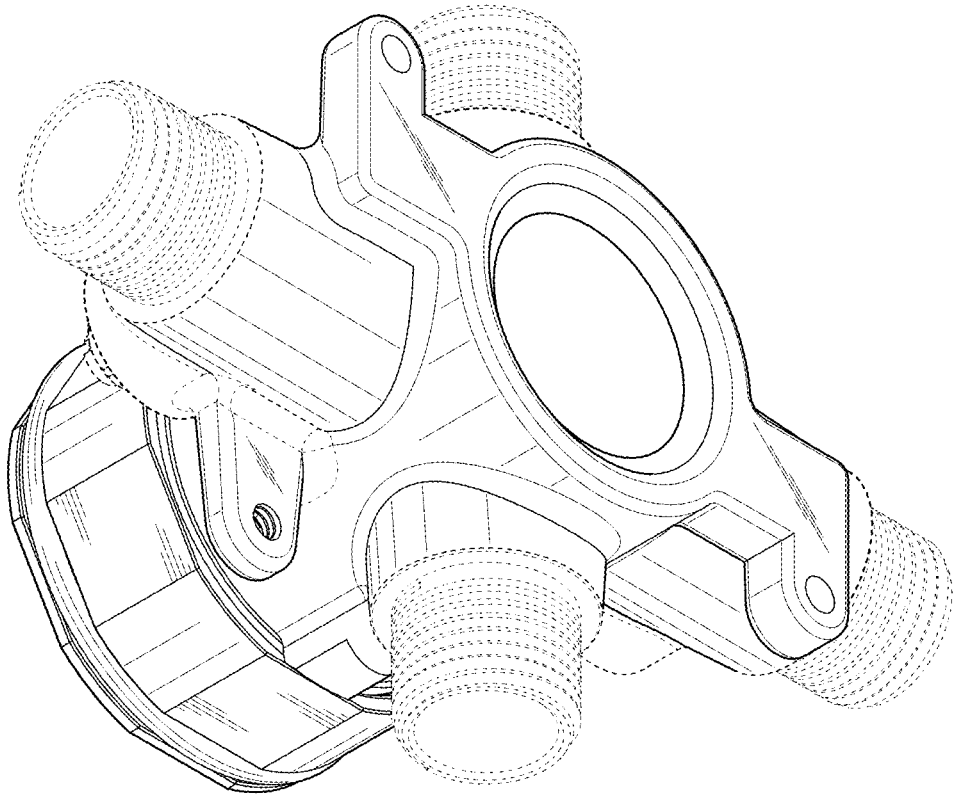


FIG. 2

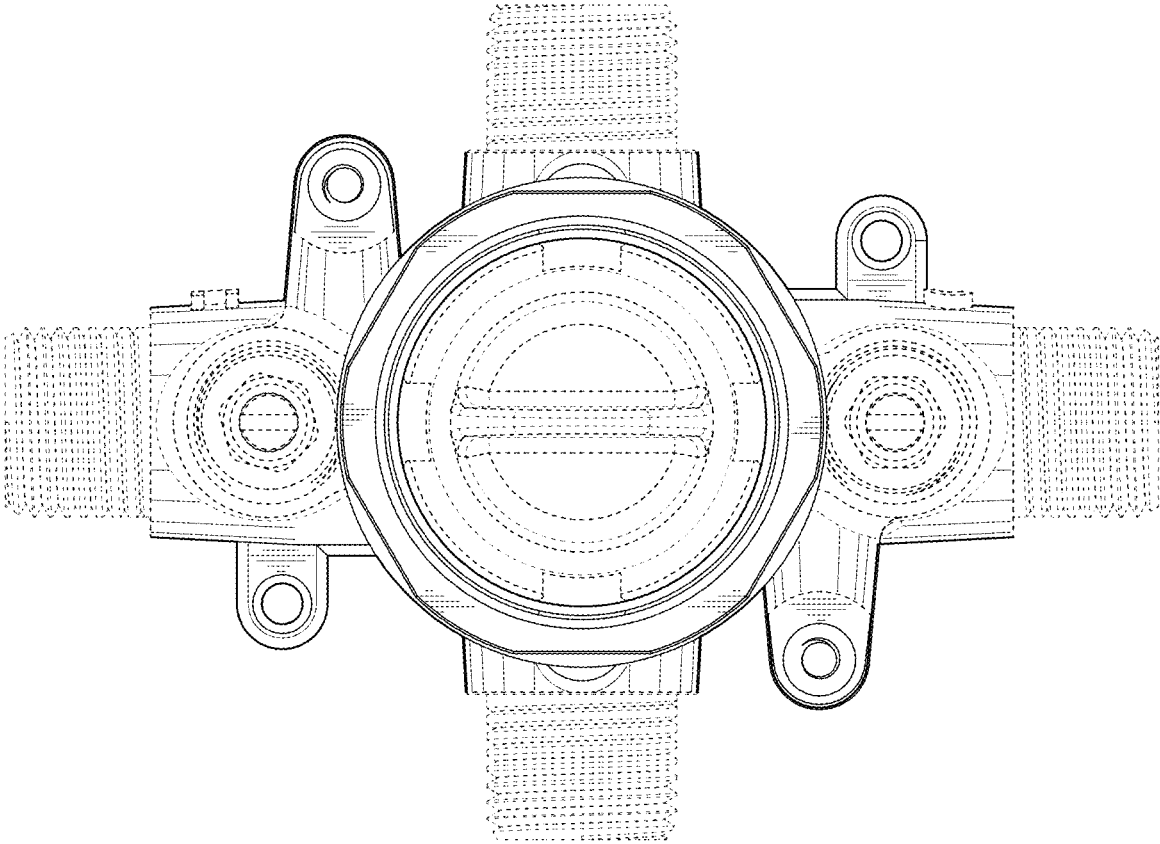


FIG. 3

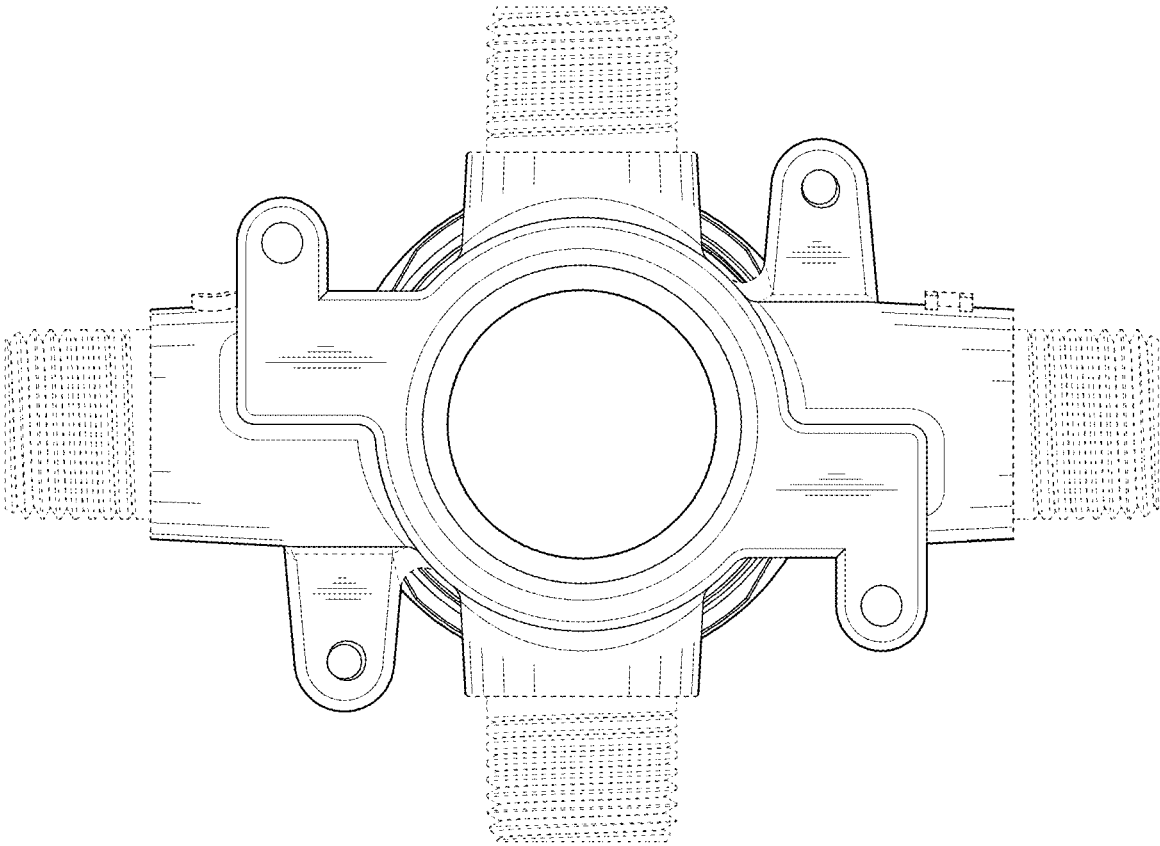


FIG. 4

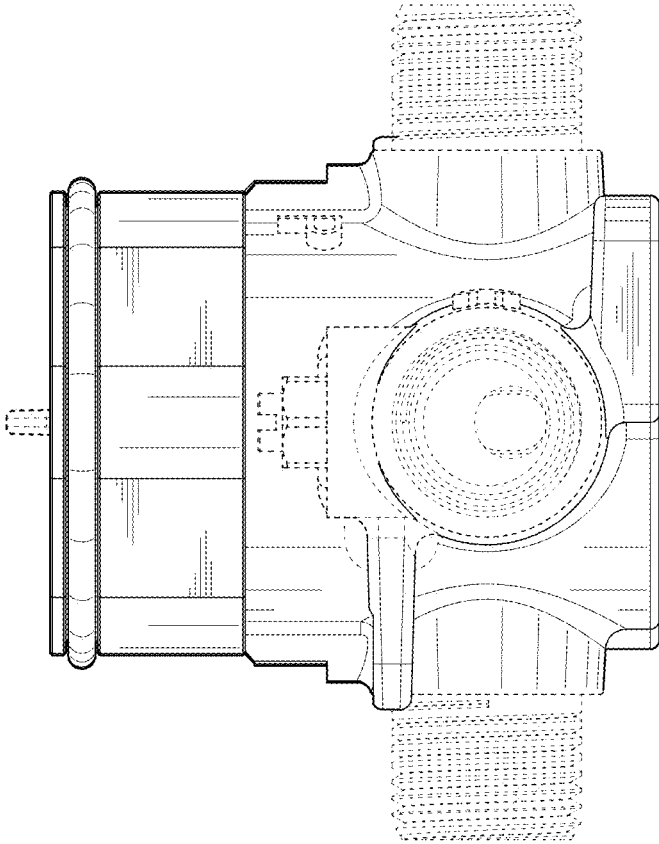


FIG. 5

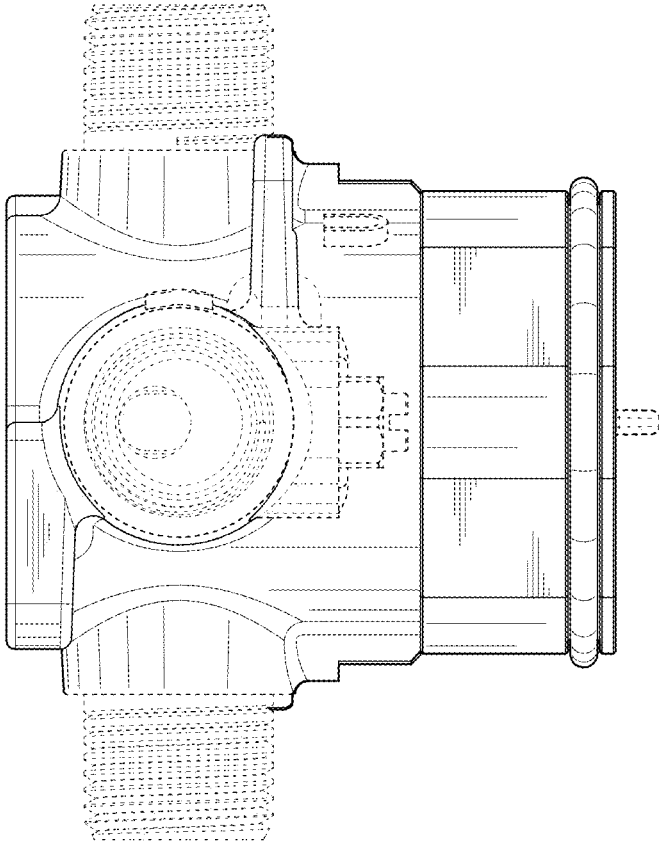


FIG. 6

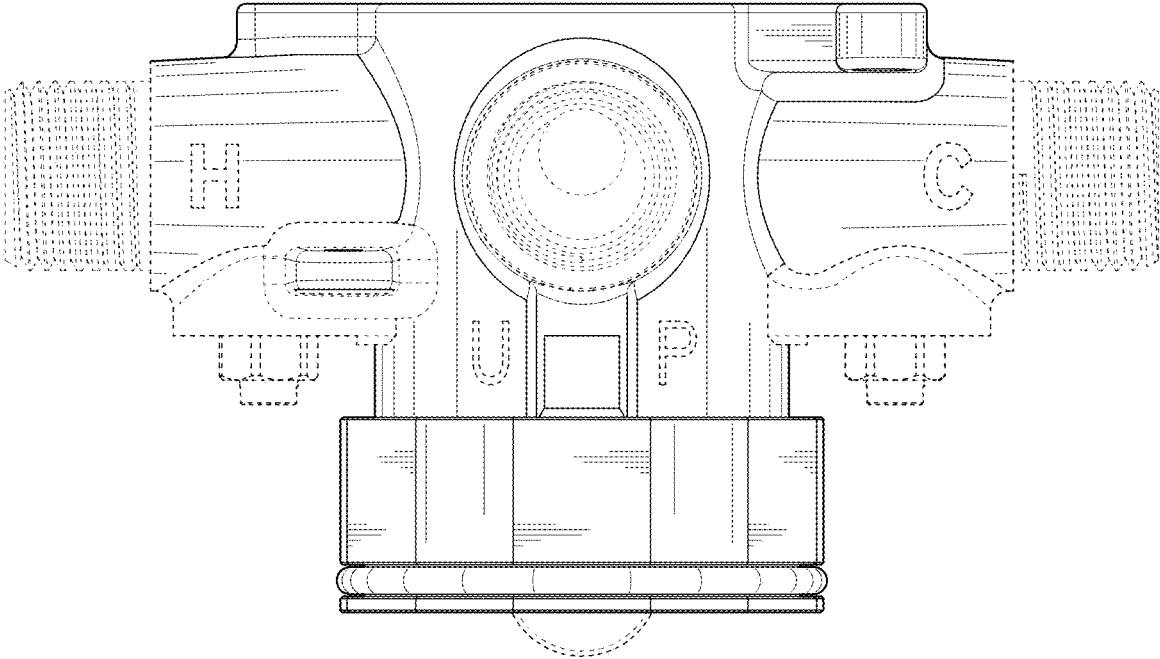


FIG. 7

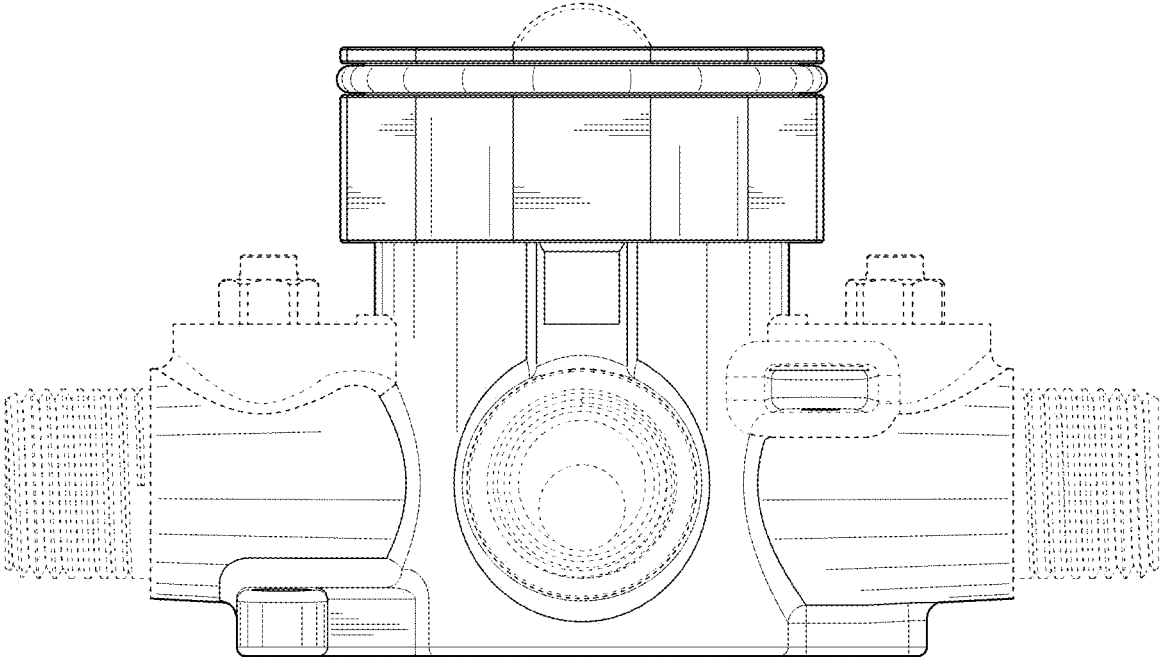


FIG. 8