



(12) **United States Design Patent**
Xie

(10) **Patent No.:** **US D1,008,706 S**
(45) **Date of Patent:** **** Dec. 26, 2023**

- (54) **WALL MOUNTED COAT RACK**
- (71) Applicant: **Xiamen Yinsa Electronic Commerce Co., Ltd., Fujian (CN)**
- (72) Inventor: **Weijun Xie, Fujian (CN)**
- (**) Term: **15 Years**
- (21) Appl. No.: **29/889,239**
- (22) Filed: **Apr. 10, 2023**
- (51) **LOC (14) Cl.** **06-04**
- (52) **U.S. Cl.**
USPC **D6/681**
- (58) **Field of Classification Search**
USPC D6/672, 677.2, 680.3, 681, 681.1, 681.2, D6/681.3; D32/58
CPC .. A47F 5/01; A47F 5/08; A47F 5/0876; A47F 5/106; A47F 5/14; A47F 7/19; A47F 7/24; A47G 25/06; A47G 25/0628
See application file for complete search history.

D644,053	S	*	8/2011	Newcomer	D6/566
D664,788	S	*	8/2012	Baylon	D6/681.1
D677,938	S	*	3/2013	Peterson	D6/680.3
D793,131	S	*	8/2017	Gazit	D6/681.3
D812,936	S	*	3/2018	Bruegmann	G09F 7/18 D6/672
D833,185	S	*	11/2018	Zhou	D6/681.3
D875,426	S	*	2/2020	Lai	D6/566
D885,810	S	*	6/2020	Song	D6/681.3
D960,621	S	*	8/2022	Kang	A47F 5/08 D6/674
D968,859	S	*	11/2022	Mao	D6/681.3
2006/0118505	A1	*	6/2006	Walter	A47F 5/08 211/207

(Continued)

OTHER PUBLICATIONS

Omsaca Wall Mounted Coat Rack, amazon.com, Review date of Feb. 17, 2023, https://www.amazon.com/Omsaca-Mounted-Installation-Suitable-Entryway-Round/dp/B0BM98PWGJ/ref=sr_1_4?keywords=Omsaca&qid=1682958383&sr=8-4&th=1 (Year: 2023).*

Primary Examiner — Steven J Cxyz
(74) *Attorney, Agent, or Firm* — Che-Yang Chen; Law Office of Michael Chen

(56) **References Cited**

U.S. PATENT DOCUMENTS

D243,214	S	*	2/1977	Werger	D6/682.2
D282,705	S	*	2/1986	Chap	D6/548
D307,088	S	*	4/1990	Frieden, Jr.	A47G 25/0664 D6/677.1
D327,173	S	*	6/1992	De Leu	D6/681
D383,334	S	*	9/1997	Barden	D6/681.3
D417,996	S	*	12/1999	Mallen	D6/513
D465,946	S	*	11/2002	Boyd, Jr.	D6/681.3
D479,059	S	*	9/2003	Lucht	D6/680.2
D545,080	S	*	6/2007	Massaud	D6/681.3
D566,990	S	*	4/2008	Cook	D6/681.3
D573,370	S	*	7/2008	Pauk	D6/317
D610,815	S	*	3/2010	Goodman	D6/320
D637,840	S	*	5/2011	Stephens	G09F 7/18 D6/513
D639,087	S	*	6/2011	Wisniewski	D6/681.3
D642,402	S	*	8/2011	Rickard	D6/681.3

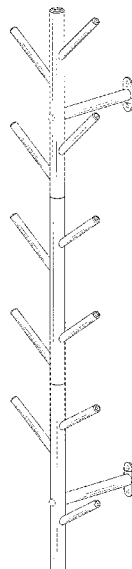
(57) **CLAIM**

The ornamental design for a wall mounted coat rack, as shown and described.

DESCRIPTION

FIG. 1 is a perspective view of the wall mounted coat rack showing my new design;
FIG. 2 is a front elevational view thereof;
FIG. 3 is a rear elevational view thereof;
FIG. 4 is a left side elevational view thereof;
FIG. 5 is a right side elevational view thereof;
FIG. 6 is a top plan view thereof; and,
FIG. 7 is a bottom plan view thereof.

1 Claim, 7 Drawing Sheets



(56)

References Cited

U.S. PATENT DOCUMENTS

2012/0055893 A1* 3/2012 Wisniewski A47G 25/0664
211/85.3
2021/0137321 A1* 5/2021 Daniels A47K 10/10
2021/0353053 A1* 11/2021 Berman A47K 3/281

* cited by examiner

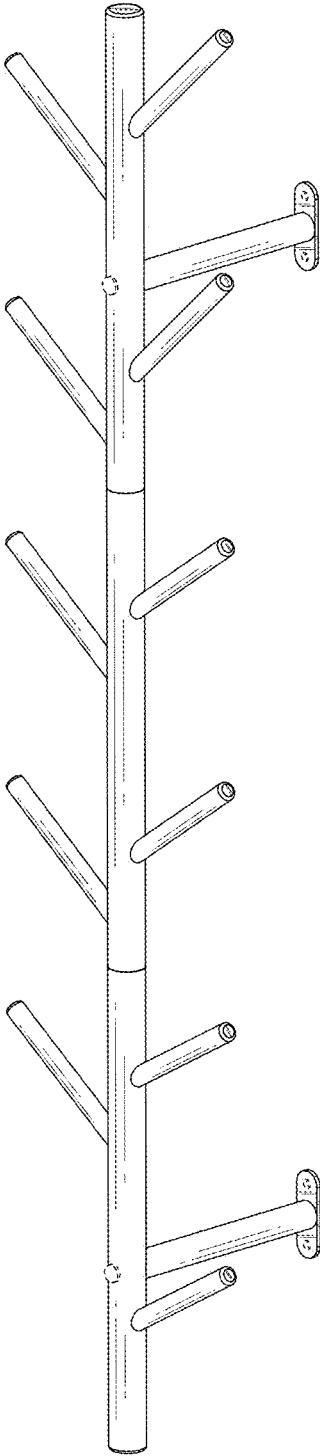


FIG. 1

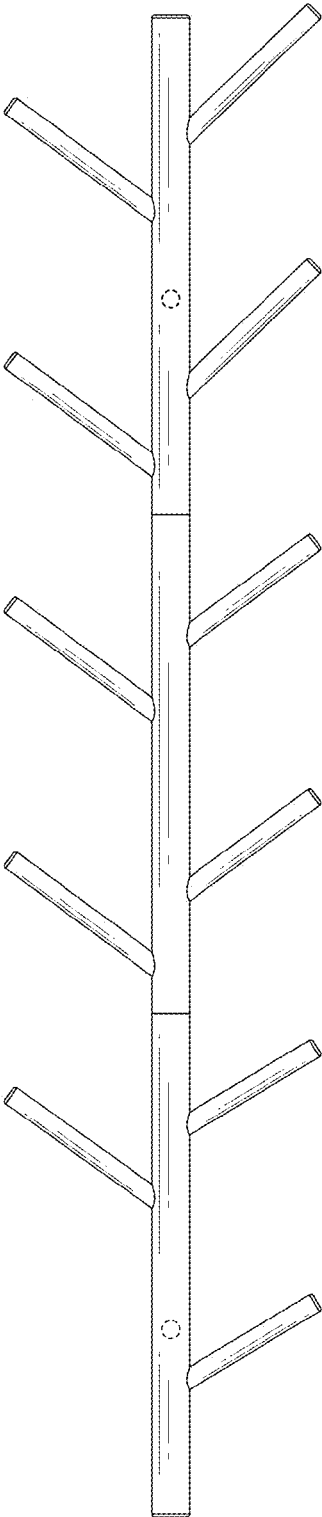


FIG. 2

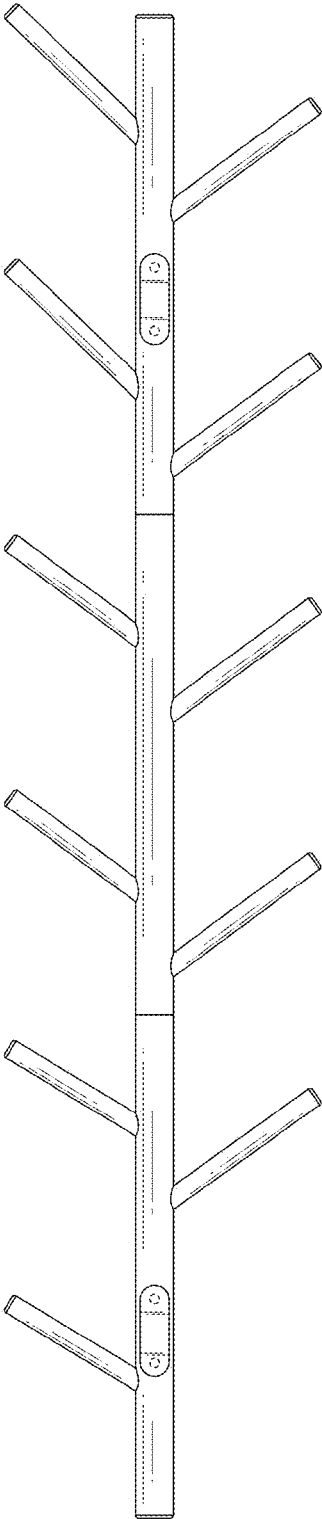


FIG. 3

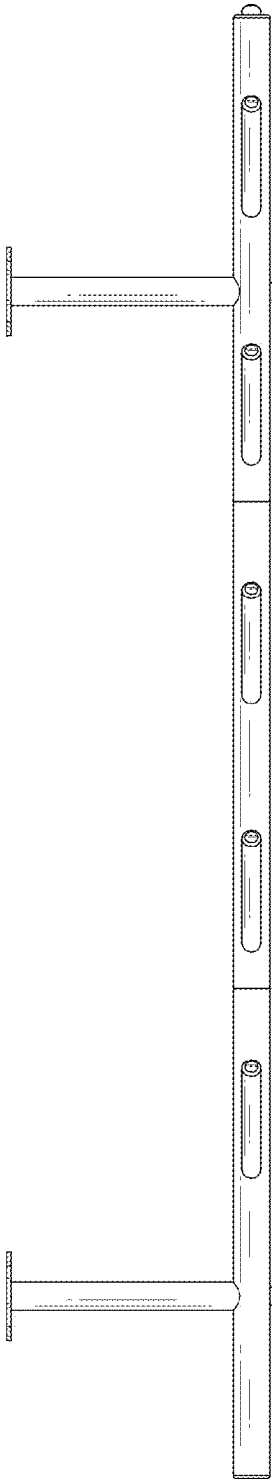


FIG. 4

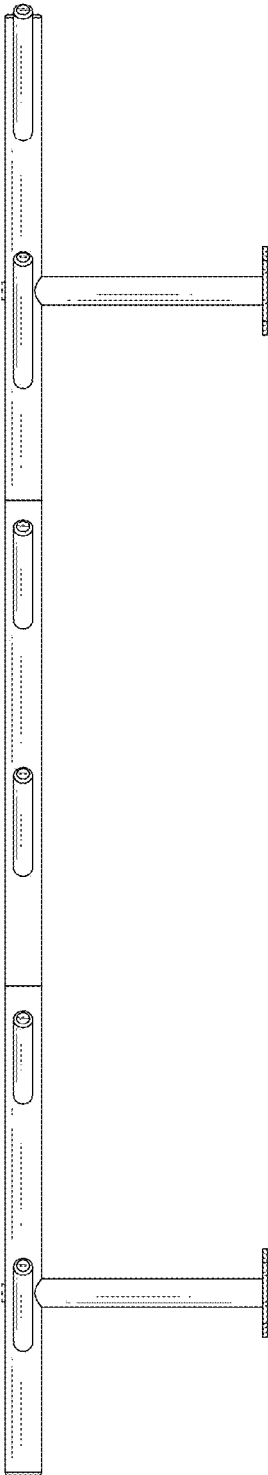


FIG. 5

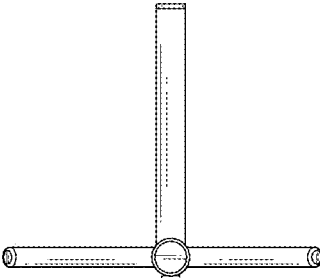


FIG. 6

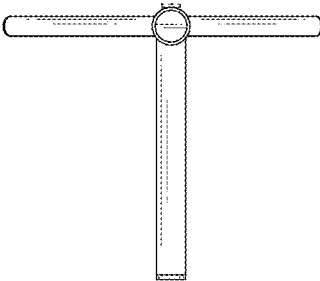


FIG. 7