



US00D938221S

(12) **United States Design Patent**
Ge

(10) **Patent No.:** **US D938,221 S**

(45) **Date of Patent:** **** Dec. 14, 2021**

(54) **STAND MIXER**

(71) Applicant: **Qi Ge, Xianning (CN)**

(72) Inventor: **Qi Ge, Xianning (CN)**

(**) Term: **15 Years**

(21) Appl. No.: **29/736,291**

(22) Filed: **May 29, 2020**

(51) **LOC (13) Cl.** **31-00**

(52) **U.S. Cl.**
USPC **D7/379; D7/376**

(58) **Field of Classification Search**
USPC D7/372, 376-386, 394, 412-413, 602,
D7/629, 665-666, 669, 679, 693-694
CPC A21C 1/02; A21C 1/04; A23N 1/00; A23N
1/02; A47J 43/04; A47J 43/25; A47J
43/27; A47J 43/042; A47J 43/044; A47J
43/046; A47J 43/06; A47J 43/075; A47J
43/0722; A47J 43/0727; A47J 43/0705;
A47J 43/082; B01F 3/00; B01F 3/0807;
B01F 3/0853; B01F 13/0059; B01F
13/0064; B02C 1/08; B02C 2/04; B02C
4/42; B02C 4/142; B02C 4/143; B02C
4/423; B02C 13/1835; B28C 5/10; B28C
5/12; B28C 5/14; B28C 5/16
See application file for complete search history.

(56) **References Cited**

U.S. PATENT DOCUMENTS

D173,624	S	*	12/1954	Madl	D7/379
D195,425	S	*	6/1963	Reed	D7/379
3,904,178	A	*	9/1975	Scott	A47J 43/044 366/199
D255,760	S	*	7/1980	Ernest	D7/379
4,568,193	A	*	2/1986	Contri	A47J 43/082 366/197

D337,667	S	*	7/1993	Lovett	D7/376
D395,572	S	*	6/1998	Carroll	D7/379
5,782,558	A	*	7/1998	Roberts	A47J 43/044 366/199
D756,165	S	*	5/2016	Lee	D7/379
D807,109	S	*	1/2018	Ho	D7/379
D845,697	S	*	4/2019	Gordon	D7/379
D913,742	S	*	3/2021	DeLeo	D7/379
D924,620	S	*	7/2021	DeLeo	D7/379

OTHER PUBLICATIONS

JEMOTEK Stand Mixer, 5 Speeds Electric Mixer. Date First Available on Amazon.com Dec. 17, 2019. <https://www.amazon.com/dp/B082V7Q234/ref> (Year: 2019).*

* cited by examiner

Primary Examiner — Ricky Pham

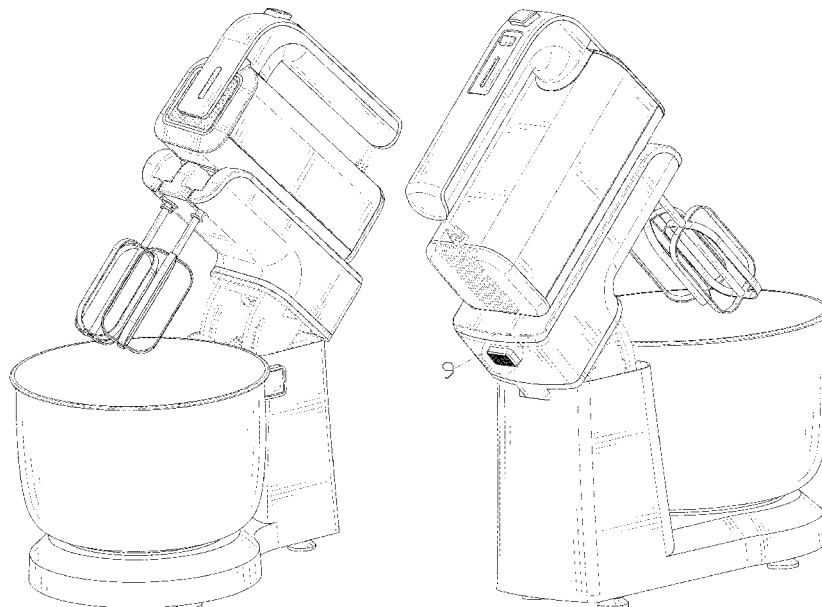
(57) **CLAIM**

The ornamental design for a stand mixer, as shown and described.

DESCRIPTION

FIG. 1 is a perspective view of a stand mixer showing my new design;
FIG. 2 is another perspective view thereof;
FIG. 3 is a front elevational view thereof;
FIG. 4 is a rear elevational view thereof;
FIG. 5 is a left side elevational view thereof;
FIG. 6 is a right side elevational view thereof;
FIG. 7 is a top plan view thereof;
FIG. 8 is a bottom plan view thereof; and,
FIG. 9 is an enlarged view of portion 9 shown in FIG. 2.
The broken lines in the drawings depict portions of the stand mixer that form no part of the claimed design.

1 Claim, 9 Drawing Sheets



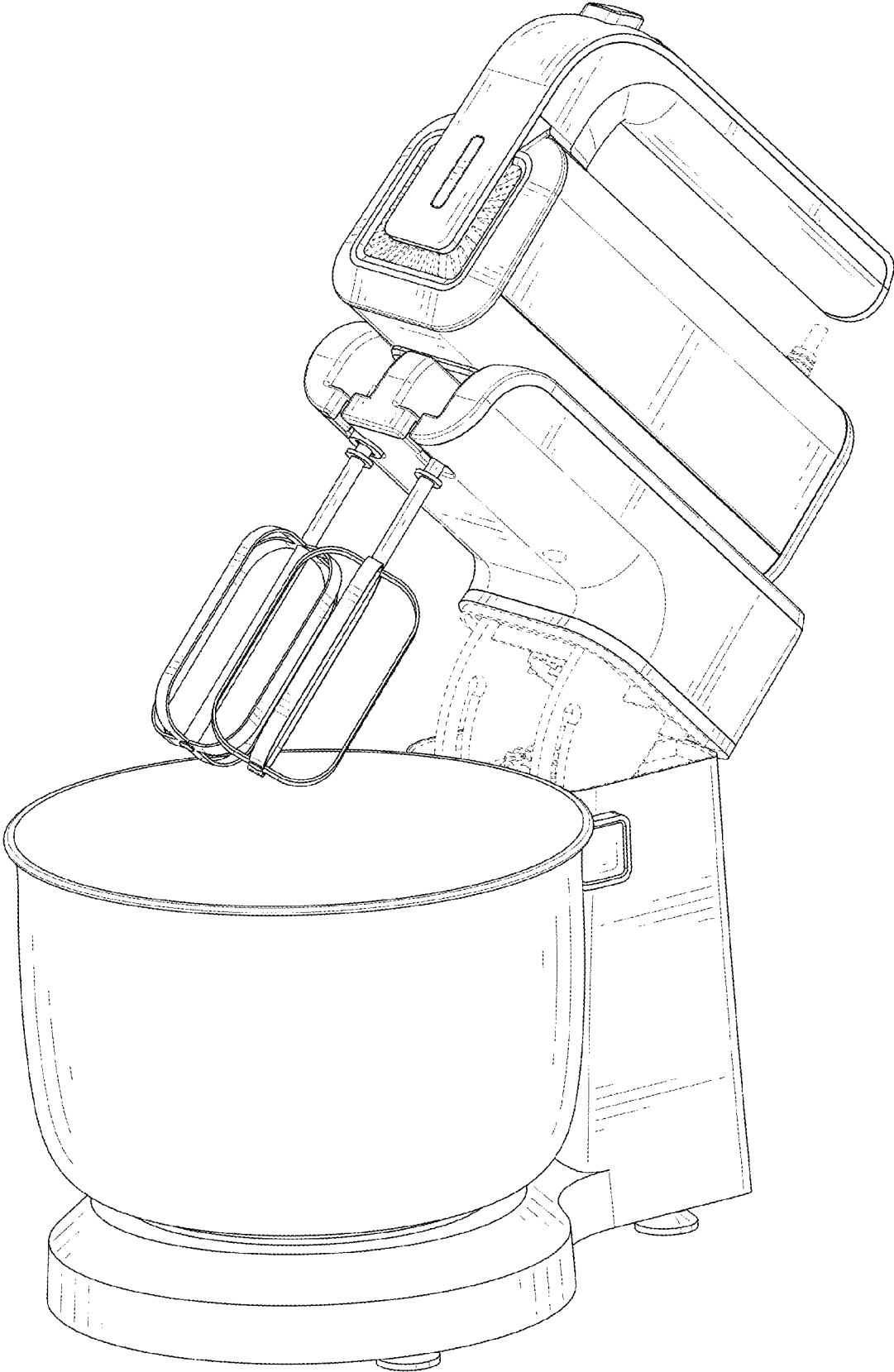


FIG. 1

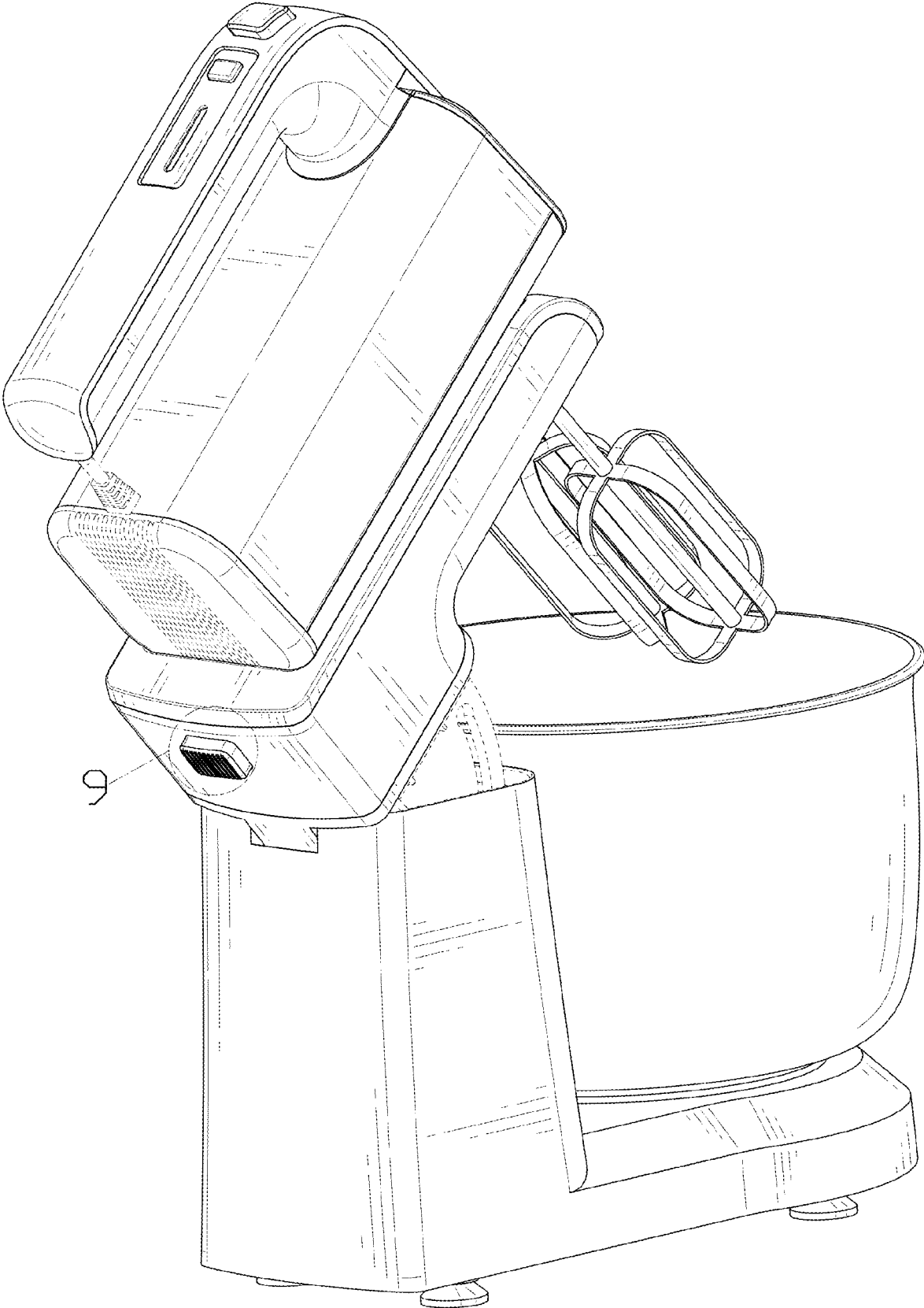


FIG. 2

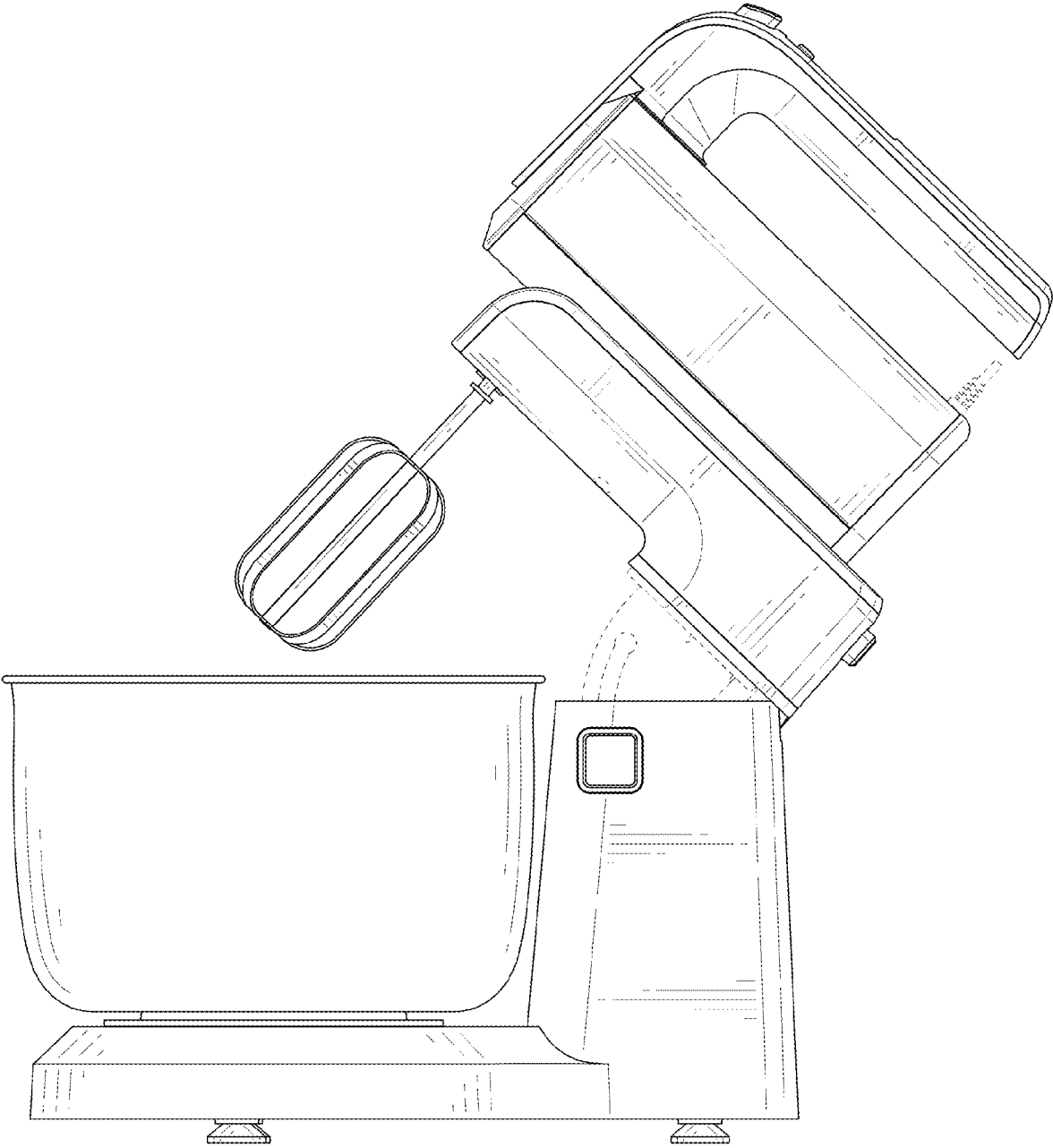


FIG. 3

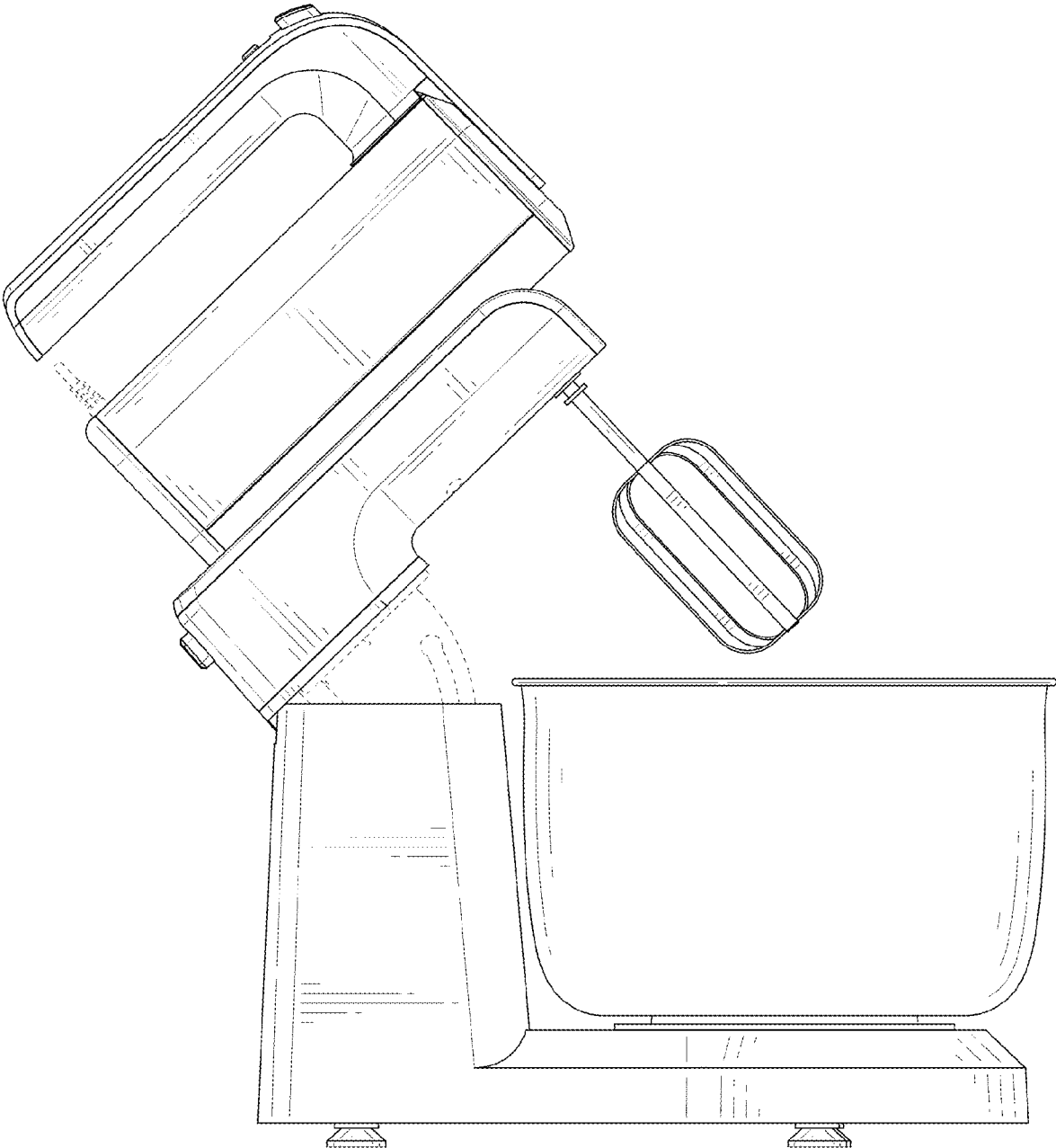


FIG. 4

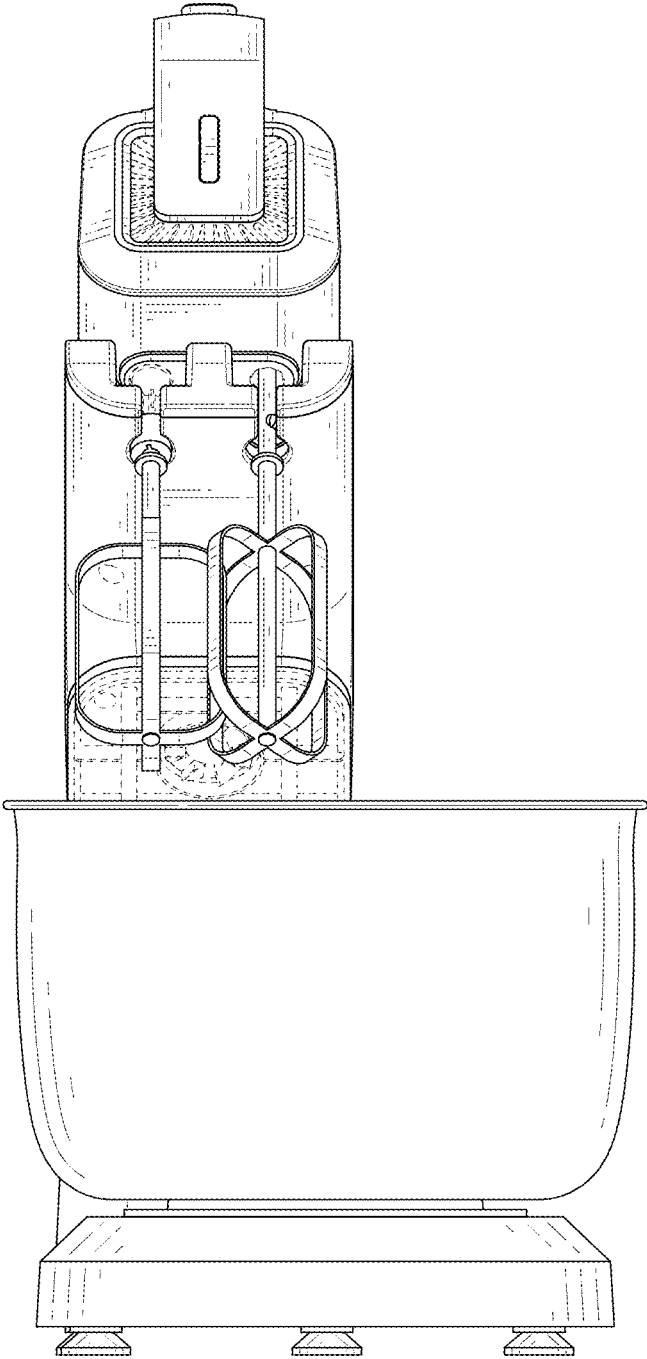


FIG. 5

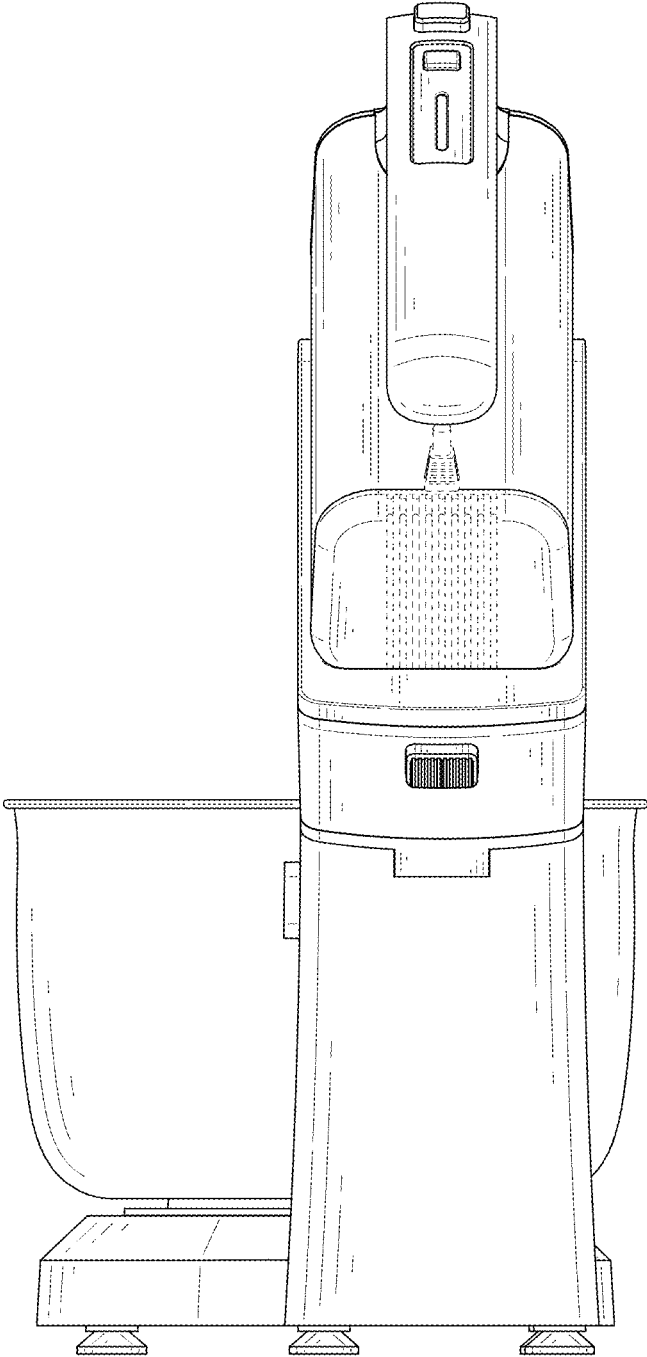


FIG. 6

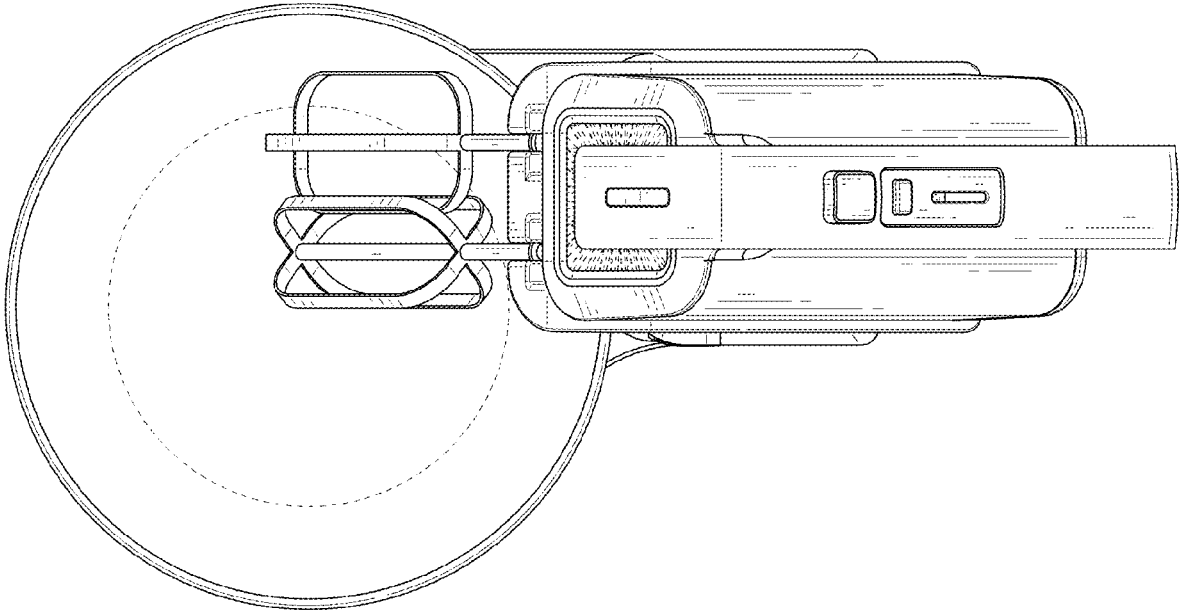


FIG. 7

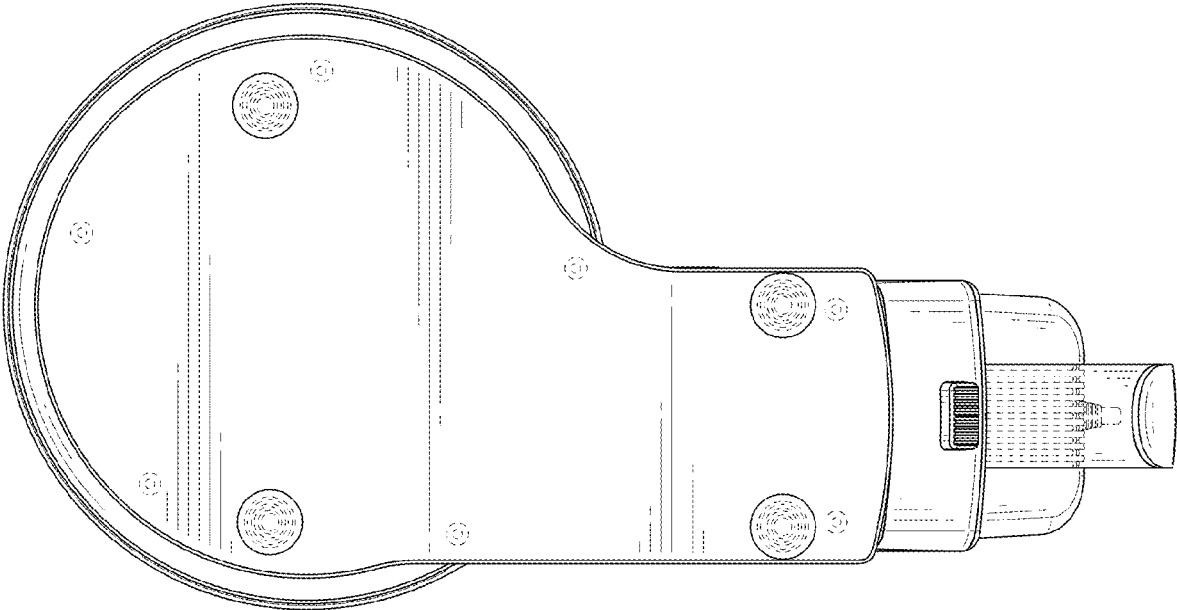


FIG. 8

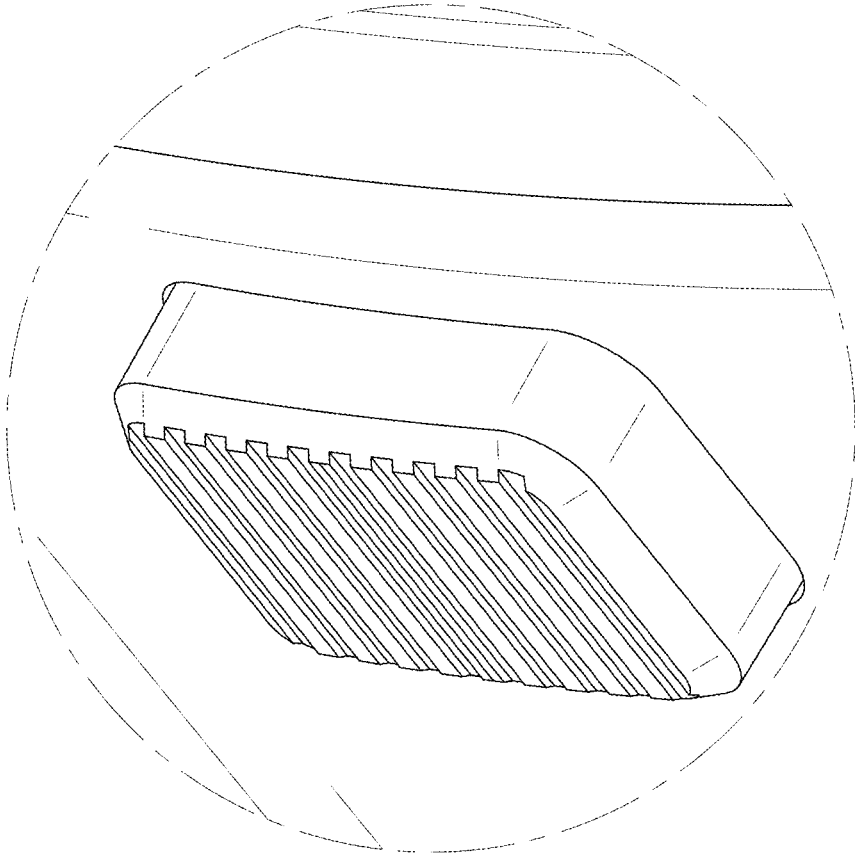


FIG. 9