



US00D837775S

(12) **United States Design Patent**
Koo

(10) **Patent No.:** **US D837,775 S**

(45) **Date of Patent:** **** *Jan. 8, 2019**

(54) **CASE FOR ELECTRONIC COMMUNICATIONS DEVICE**

(71) Applicant: **SPIGEN KOREA CO., LTD.**, Seoul (KR)

(72) Inventor: **Eun Hee Koo**, Seoul (KR)

(73) Assignee: **SPIGEN KOREA CO., LTD.**, Seoul (KR)

(*) Notice: This patent is subject to a terminal disclaimer.

(**) Term: **15 Years**

(21) Appl. No.: **29/601,937**

(22) Filed: **Apr. 27, 2017**

(51) **LOC (11) Cl.** **14-03**

(52) **U.S. Cl.**
USPC **D14/250**

(58) **Field of Classification Search**
USPC D14/248, 439, 203.3–203.7, 447, 238.1, D14/440, 251–253, 217, 240, 250;
(Continued)

(56) **References Cited**

U.S. PATENT DOCUMENTS

D615,078 S * 5/2010 Bradley D14/250
D619,361 S 7/2010 Andre et al.
(Continued)

OTHER PUBLICATIONS

Review of Spigen Slim Armor CS Case for Galaxy S7, published on Apr. 11, 2016, URL: <https://www.youtube.com/watch?v=hTvaCva30Ao>, retrieved from internet on Feb. 19, 2018.*

(Continued)

Primary Examiner — Carla J Wright

(74) *Attorney, Agent, or Firm* — Heedong Chae; Lucem, PC

(57) **CLAIM**

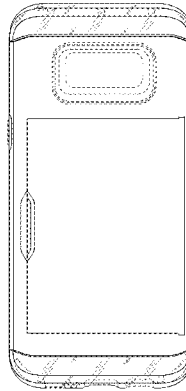
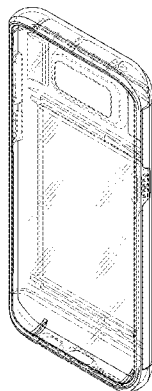
The ornamental design for a case for electronic communications device, as shown and described.

DESCRIPTION

FIG. 1 is a front perspective view of a case for electronic communications device showing my new design; FIG. 2 is a rear perspective view thereof; FIG. 3 is a front elevational view thereof; FIG. 4 is a rear elevational view thereof; FIG. 5 is a left side elevational view thereof; FIG. 6 is a right side elevational view thereof; FIG. 7 is a top plan view thereof; FIG. 8 is a bottom plan view thereof; FIG. 9 is an exploded front perspective view showing the components of the case for electronic communications device separated for clarity of disclosure; FIG. 10 is an exploded rear perspective view showing the components of the case for electronic communications device separated for clarity of disclosure; FIG. 11 is a front perspective view of the transparent inner component of the case for electronic communications device shown separately for clarity of disclosure; FIG. 12 is a rear perspective view thereof shown separately for clarity of disclosure; FIG. 13 is a front perspective view of the opaque outer frame component of the case for electronic communications device shown separately for clarity of disclosure; FIG. 14 is a rear perspective view thereof shown separately for clarity of disclosure; FIG. 15 is a front perspective view of the storage compartment cover component of the case for electronic communications device shown separately for clarity of disclosure; FIG. 16 is a rear perspective view thereof shown separately for clarity of disclosure; and, FIG. 17 is a rear perspective view of the case for electronic communications device showing the storage compartment cover in a partially opened state.

Although the case for electronic communications device, in which the claimed design is embodied, consists of a trans-

(Continued)



parent inner component, an opaque outer frame component, and a storage compartment cover component, the claim is directed to the ornamental appearance of the case for electronic communications device in its entirety and does not extend to the ornamental appearance of each of the individual components of the case for electronic communications device.

The broken lines throughout the drawing figures depict portions of the case for electronic communications device that form no part of the claimed design. The broken lines and unshaded regions bounded by broken lines form no part of the claimed design.

1 Claim, 17 Drawing Sheets

(58) **Field of Classification Search**

USPC D3/201, 218, 247, 269, 273, 301, 303;
 D13/103, 107–108, 119
 CPC H04B 1/3888; H04M 1/0283; H04M
 1/0202; A45C 1/06; A45C 2011/002;
 A45C 11/00; A45C 13/02; A45F
 2005/026; A45F 2200/0525; A45F
 2200/0516

See application file for complete search history.

(56) **References Cited**

U.S. PATENT DOCUMENTS

D624,064	S	*	9/2010	Esposito	D14/250
D631,246	S	*	1/2011	Boettner	D3/203.2
D646,265	S		10/2011	Fathollahi		
D650,371	S		12/2011	Wibby et al.		
D663,263	S		7/2012	Gupta et al.		
D681,615	S		5/2013	Fathollahi		
D682,196	S		5/2013	Leung		
D685,779	S	*	7/2013	Schriefer	D14/250
8,504,127	B2		8/2013	Altschul et al.		
8,517,172	B1		8/2013	Chang		
D691,124	S	*	10/2013	Yang	D14/250
D705,764	S	*	5/2014	Thoni	D14/250
8,726,952	B2		5/2014	Jambunathan et al.		
D707,965	S		7/2014	Requa		
D712,891	S	*	9/2014	Fathollahi	D14/250
D716,045	S		10/2014	Requa		
8,971,975	B2		3/2015	Ramies et al.		
9,049,283	B1		6/2015	Kim		
D741,845	S		10/2015	Kim		
D743,931	S		11/2015	Hubbard et al.		
D746,805	S		1/2016	Kim		
9,241,551	B2		1/2016	Lawson et al.		
D749,068	S		2/2016	Zaborski et al.		
D749,557	S		2/2016	Feng		
D753,099	S		4/2016	Kim		
D756,911	S		5/2016	Gupta et al.		
D759,966	S		6/2016	Pignotti		
D763,842	S		8/2016	Chang et al.		
D765,069	S	*	8/2016	Jeffrey	D14/250
D765,635	S		9/2016	Chang et al.		
D765,638	S		9/2016	Gaylord et al.		
D765,640	S		9/2016	Bulkley et al.		
D765,641	S		9/2016	Bulkley et al.		
D776,101	S	*	1/2017	Poon	D14/250
D776,646	S	*	1/2017	Deng	D14/250
D780,164	S		2/2017	Lee		
D780,166	S	*	2/2017	Lin	D14/250
D781,835	S		3/2017	Kim et al.		

D786,852	S	*	5/2017	Kim	D14/250
D788,093	S		5/2017	Lee et al.		
9,661,116	B1	*	5/2017	Chung	A45C 11/00
9,675,150	B2	*	6/2017	Kim	A45C 11/182
D797,715	S	*	9/2017	Kim	D14/250
D798,286	S		9/2017	Roberts et al.		
2014/0051488	A1	*	2/2014	Chung	H04M 1/0279 455/575.8
2014/0370946	A1	*	12/2014	Daniell	H04M 1/0283 455/575.8
2015/0141082	A1	*	5/2015	Ehrlich	H04B 1/3888 455/575.1
2015/0244407	A1	*	8/2015	Peral	H04B 1/3888 455/575.8
2015/0365122	A1	*	12/2015	Kim	H04M 1/21 455/575.8
2016/0113368	A1	*	4/2016	Tu	H04B 1/3888 206/45.23
2016/0142522	A1	*	5/2016	Kim	A45C 11/00 455/575.8
2016/0374443	A1	*	12/2016	Kim	A45C 11/182 206/38
2017/0086557	A1	*	3/2017	Choi	A45C 15/00

OTHER PUBLICATIONS

“iPhone 6 Case, Verus [Damda Slide][Dark Silver]-[Wallet Card Slot][Heavy Duty Protection] for Apple iPhone 6 4.7”, <https://www.amazon.com/dp/B01EO2PE1O>, Earliest review date of May 24, 2016.

“Galaxy Note 4 Case, Verus [Damda Slide][Dark Silver]-[Wallet Card Slot][Heavy Duty Protection] For Samsung Note 4”, <https://www.amazon.com/dp/B00MJE610G>, Earliest review date of Oct. 18, 2014.

“Galaxy Note 5 Case, Verus [Damda Slide][Dark Silver]-[Wallet Card Slot][Heavy Duty Protection] For Samsung Note 5”, <https://www.amazon.com/dp/B00VN6E8KS>, Earliest review date of Aug. 24, 2015.

“Galaxy S6 Edge Case, Verus [Damda Slide][Dark Silver]-[Wallet Card Slot][Heavy Duty Protection] For Samsung galaxy s6 edge”, <https://www.amazon.com/dp/B00U0MDTEM>, Earliest review date of Apr. 2, 2015.

“Galaxy S6 Edge Plus Case, Verus [Damda Slide][Dark Silver]-[Wallet Card Slot][Heavy Duty Protection] For Samsung galaxy s6 plus”, <https://www.amazon.com/dp/B013F8CLK0>, Earliest review date of Aug. 29, 2015.

“iPhone 6 Plus Case, Verus [Damda Slide][Dark Silver]-[Wallet Card Slot][Heavy Duty] for Apple iPhone 6 Plus 5.5”, <https://www.amazon.com/dp/B01EO2P5H2>, Earliest review date of May 26, 2016.

“iPhone 6S Case, Verus [Damda Slide][Dark Silver]-[Wallet Card Slot][Heavy Duty Protection] for Apple iPhone 6 6s 4.7”, <https://www.amazon.com/dp/B00M9UBQ2A>, Earliest review date of Sep. 16, 2014.

“iPhone 6S Plus Case, Verus [Damda Slide][Dark Silver]-[Wallet Card Slot][Heavy Duty] for Apple iPhone 6 6s Plus 5.5”, <https://www.amazon.com/dp/B00NHZZ1ZY>, Earliest review date of Oct. 5, 2014.

“Spigen Slim Armor CS Galaxy S7 Case with Slim Dual Layer Wallet Design and Card Slot Holder for Samsung Galaxy S7 2016—Gunmetal”, <https://www.amazon.com/dp/B01AUR1HF4>, Earliest review date of Mar. 11, 2016.

“Spigen Slim Armor CS Galaxy S7 Edge Case with Slim Dual Layer Wallet Design and Card Slot Holder for Galaxy S7 Edge 2016—Gunmetal”, <https://www.amazon.com/dp/B01CTR15VM>, Earliest review date of Apr. 22, 2016.

* cited by examiner

FIG. 1

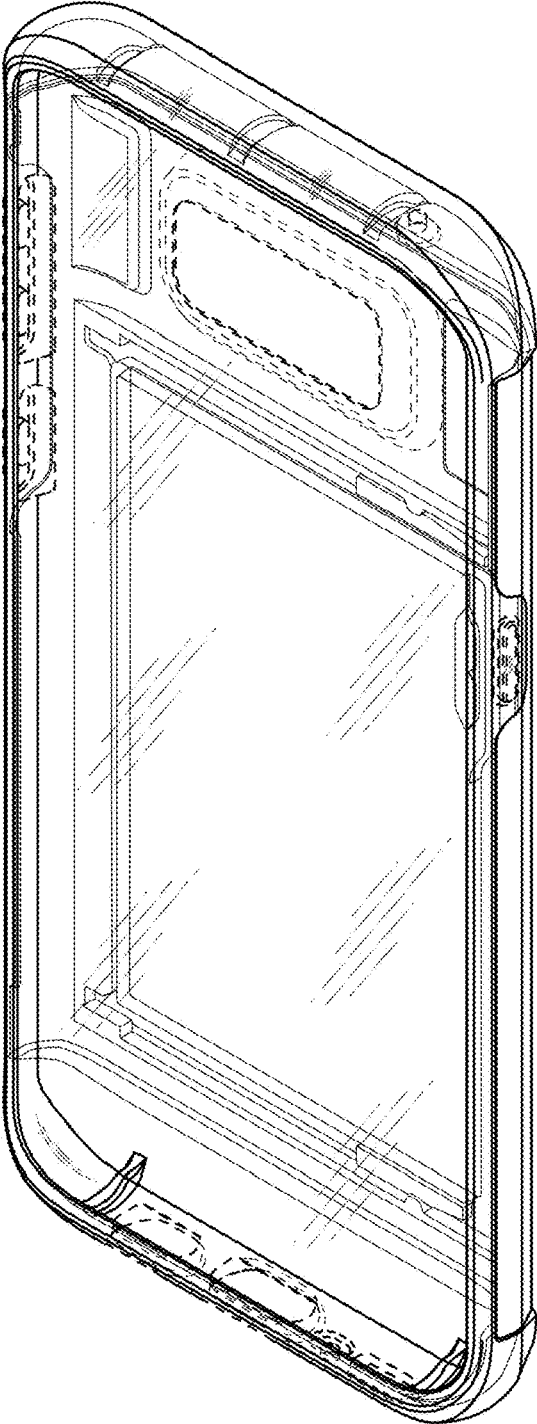


FIG. 2

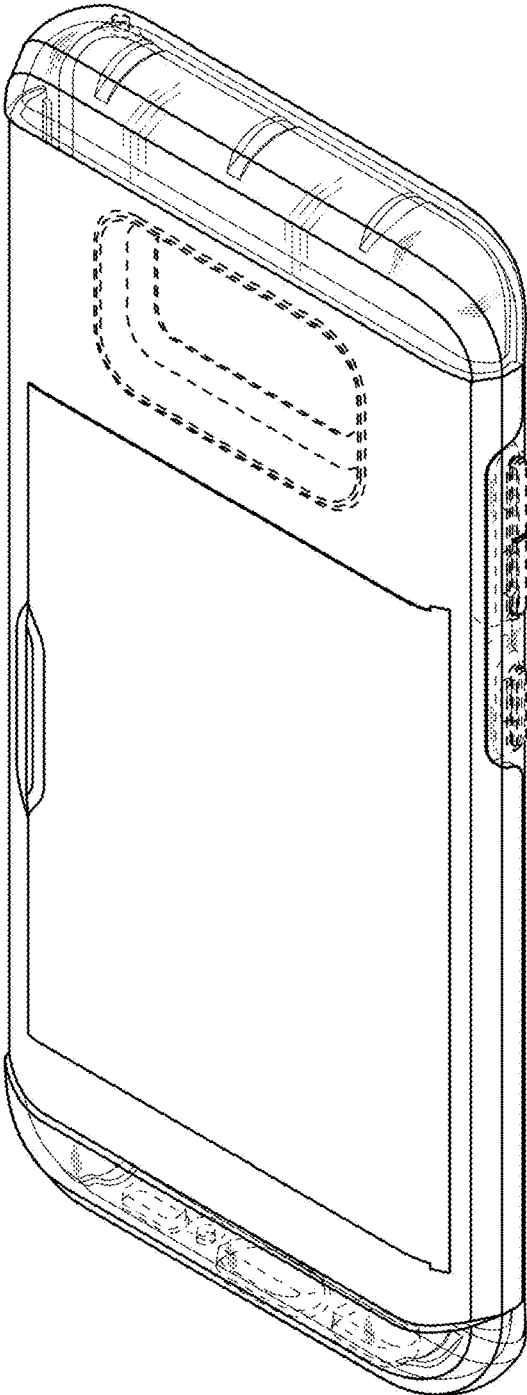


FIG. 3

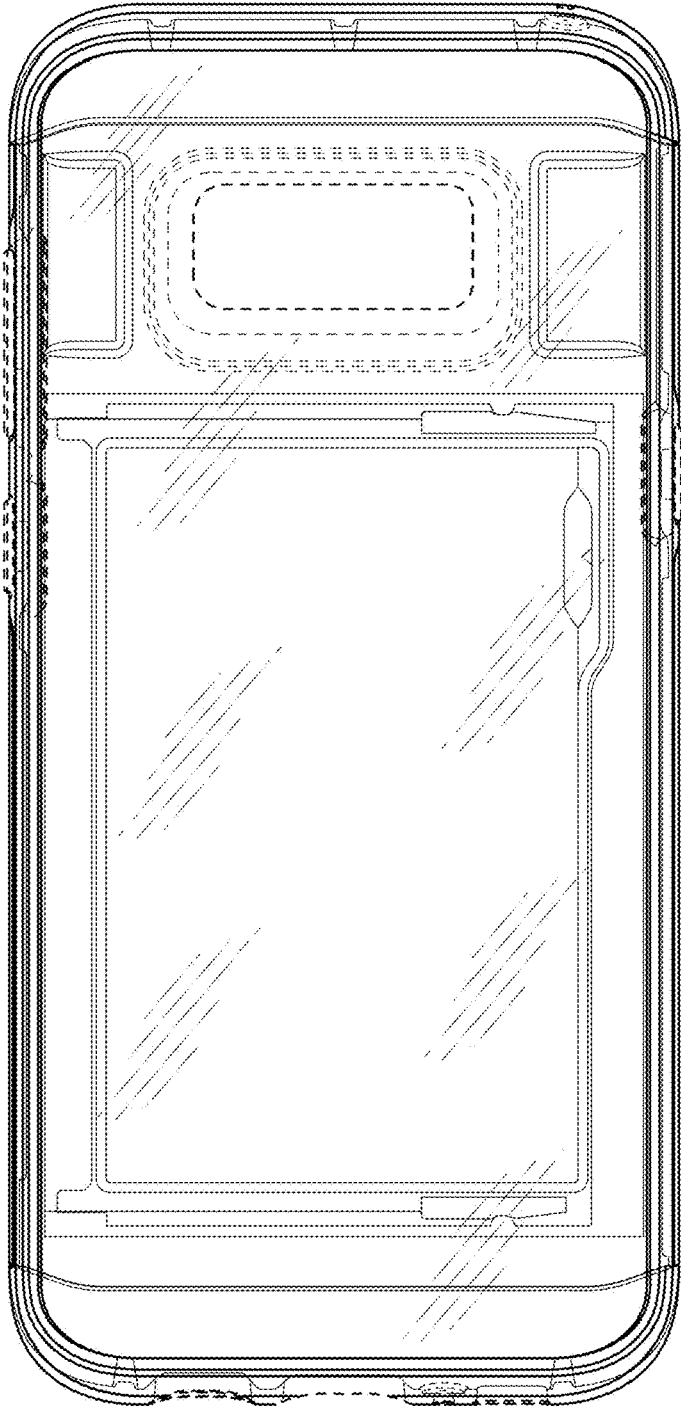


FIG. 4

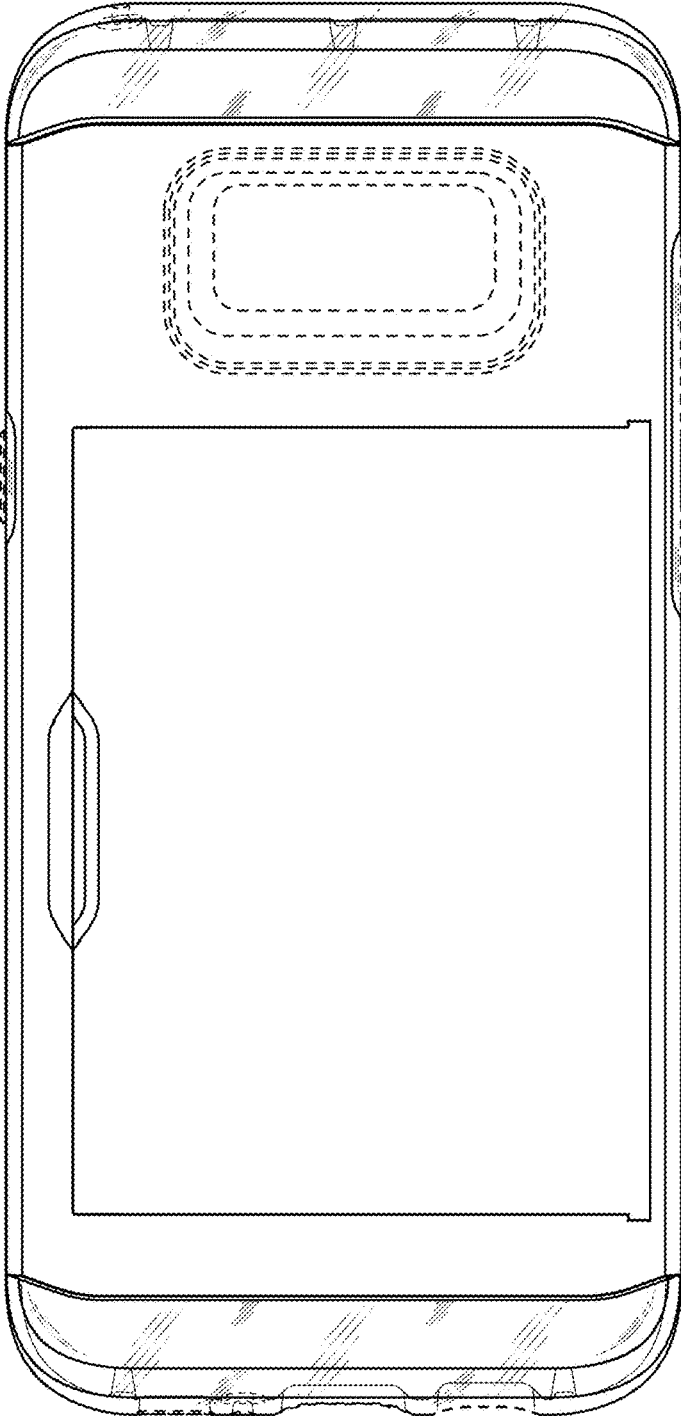


FIG. 5

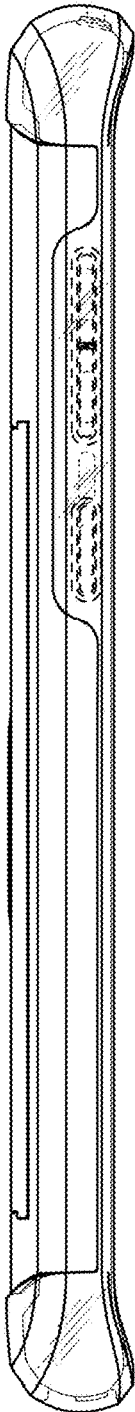


FIG. 6

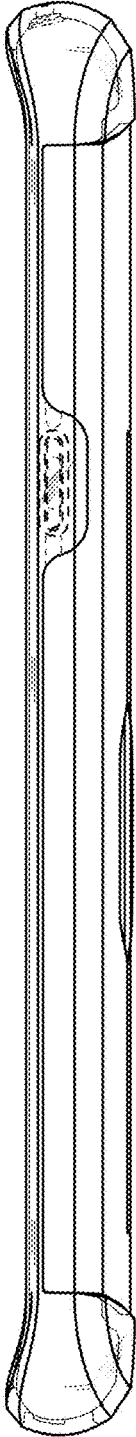


FIG. 7

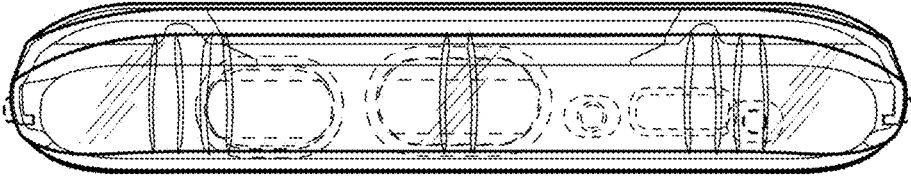


FIG. 8



FIG. 9

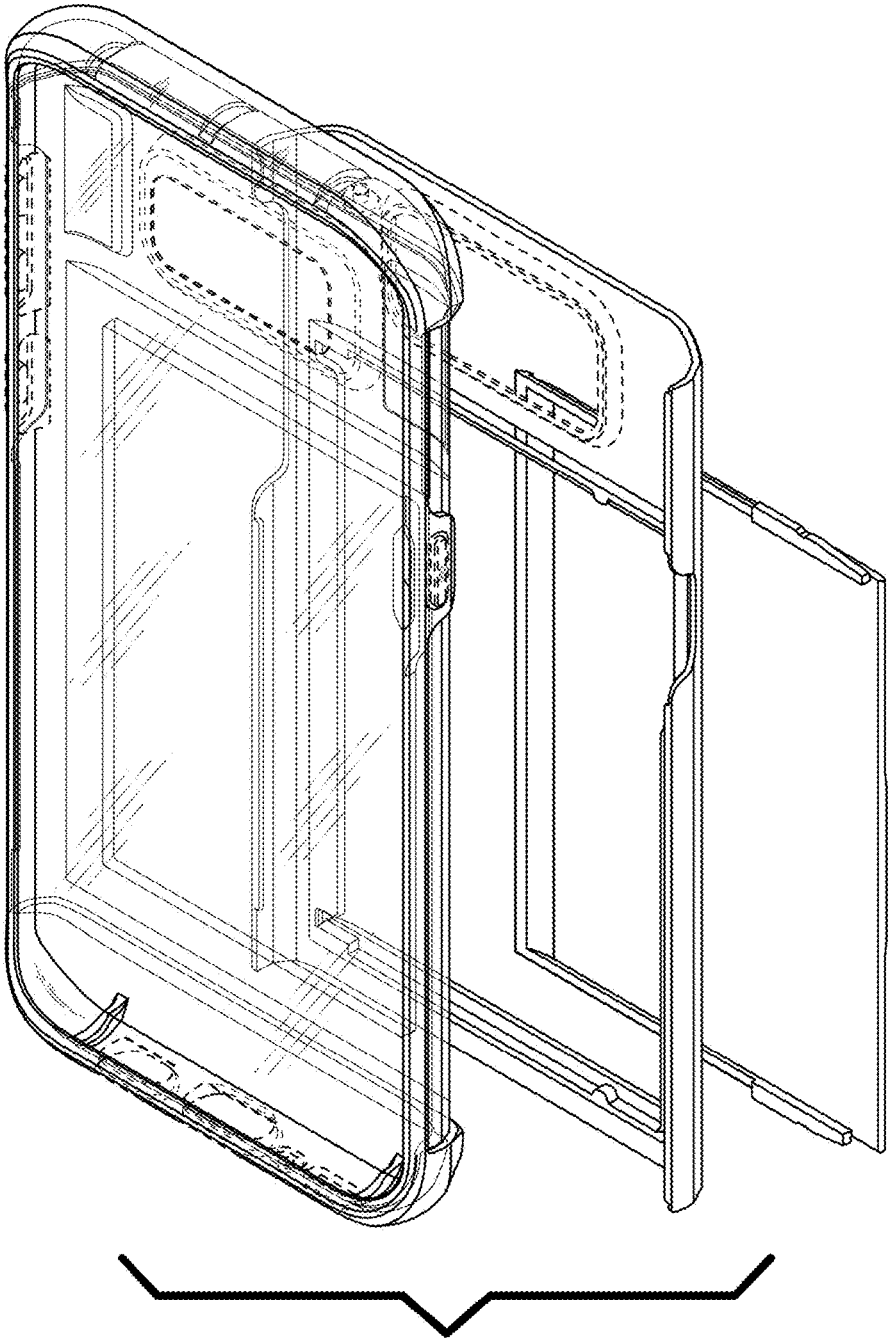


FIG. 10

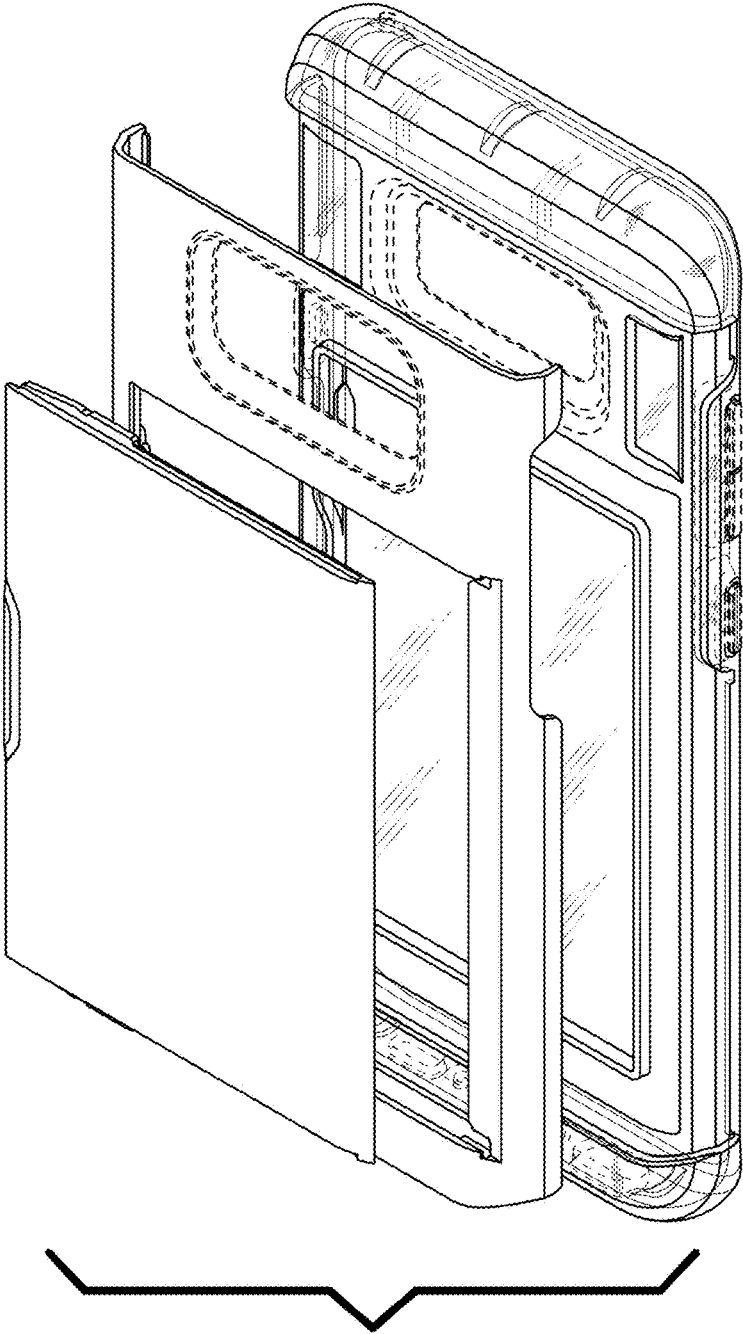


FIG. 11

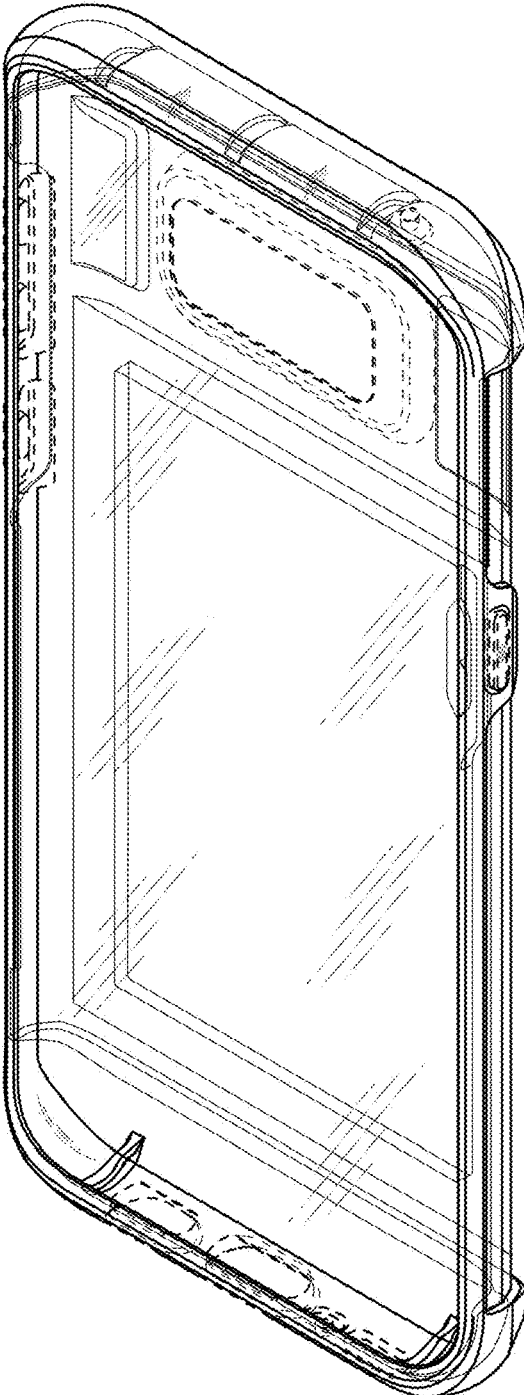


FIG. 12

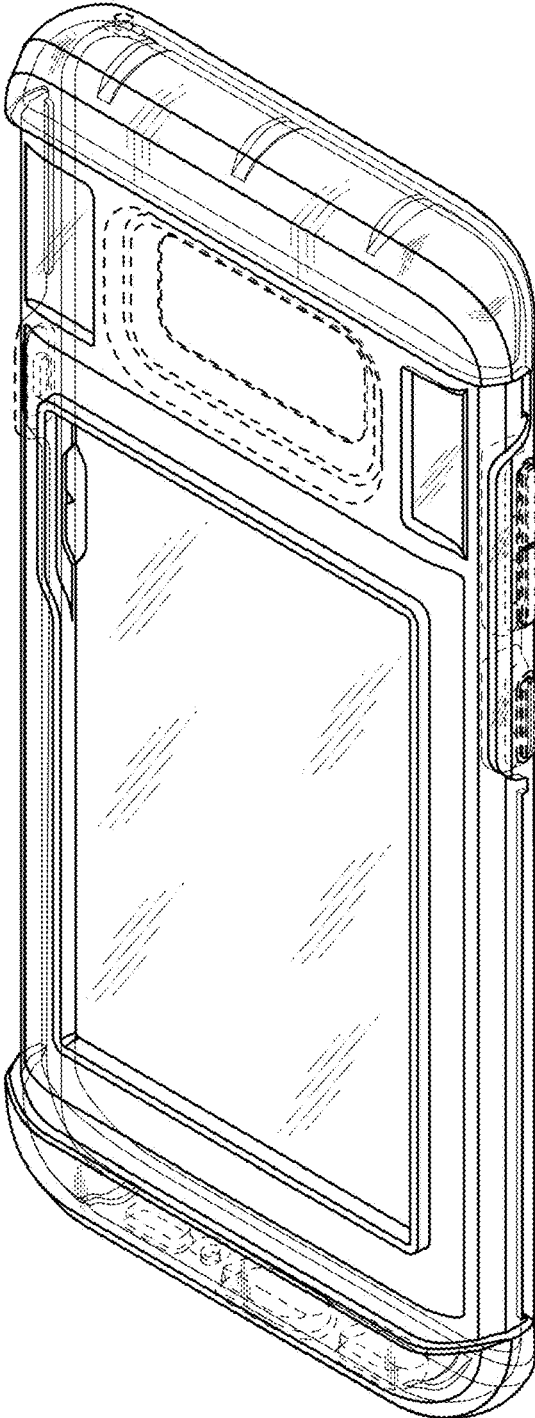


FIG. 13

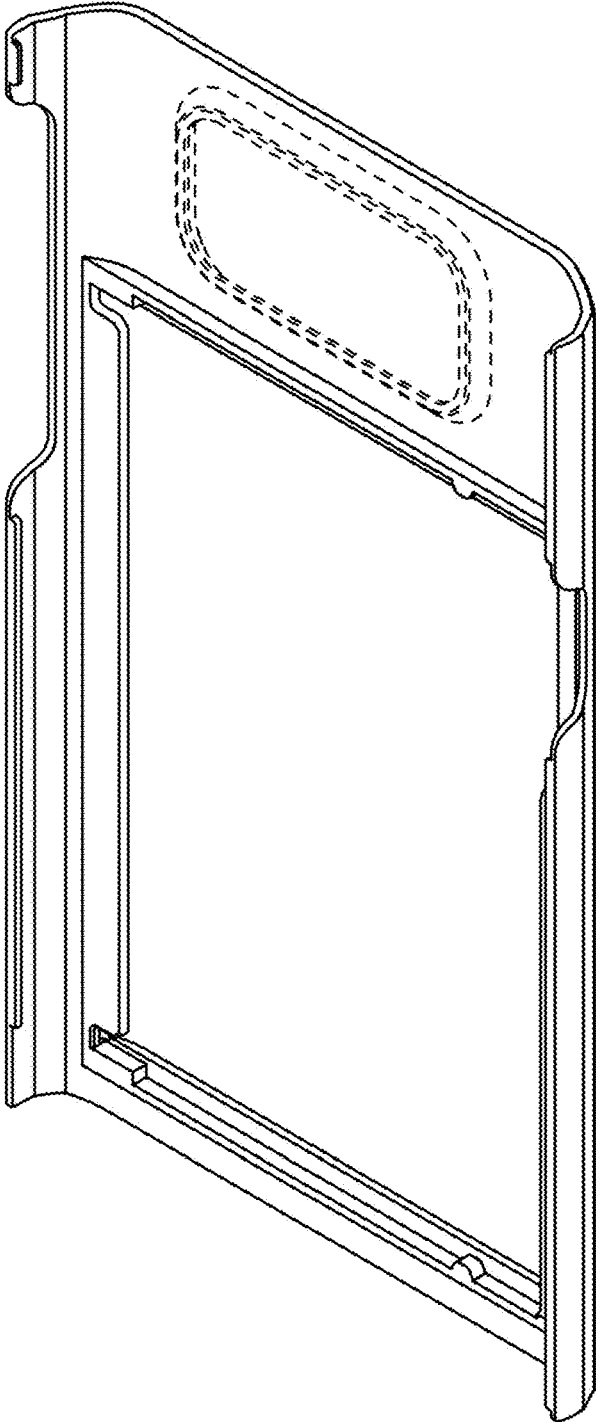


FIG. 14

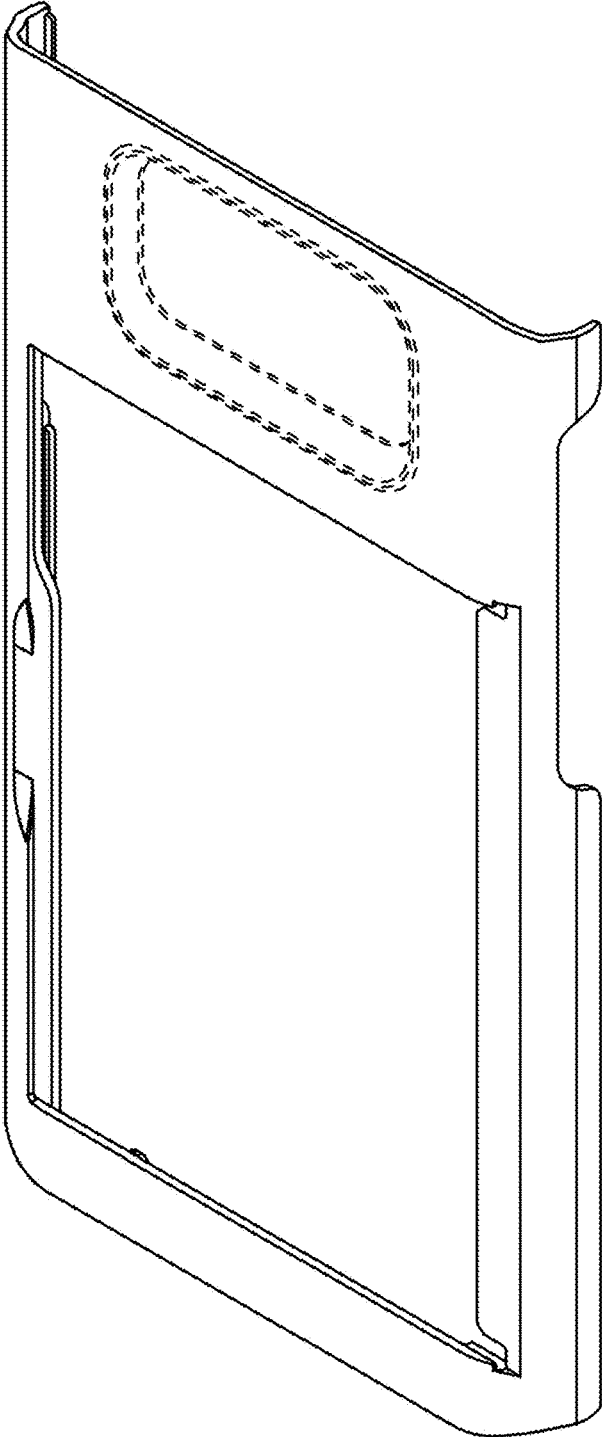


FIG. 15

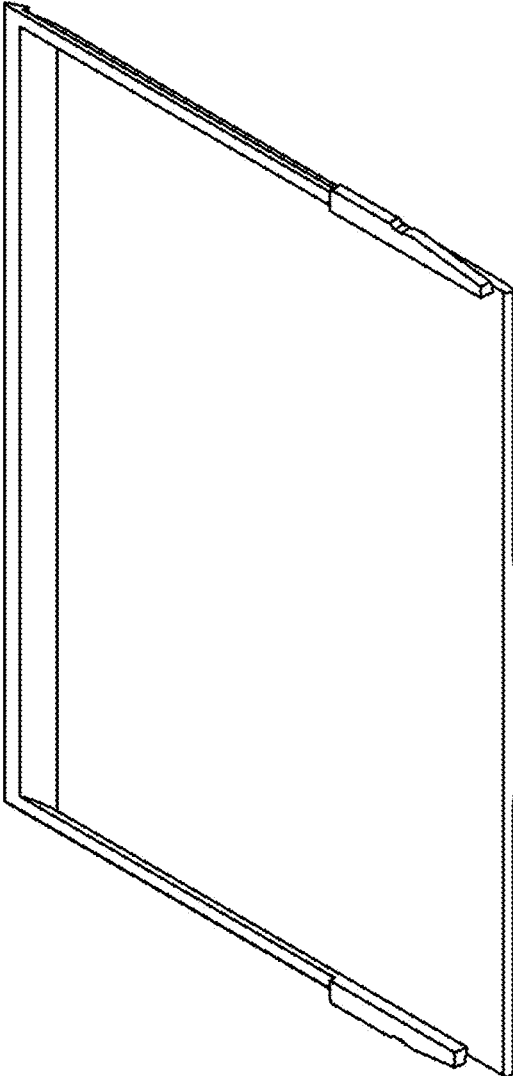


FIG. 16

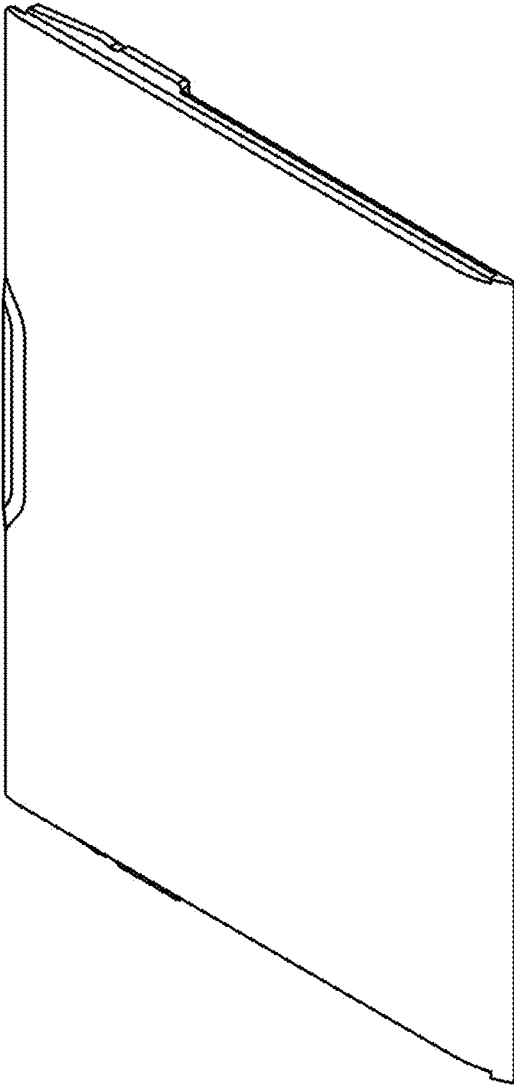


FIG. 17

