



US00D989451S

(12) **United States Design Patent**  
**Braithwaite**

(10) **Patent No.:** **US D989,451 S**

(45) **Date of Patent:** **\*\* Jun. 20, 2023**

- (54) **ATHLETIC SANDAL UPPER**
- (71) Applicant: **Nelwood Corp**, Murray, UT (US)
- (72) Inventor: **Cameron Braithwaite**, Eden, UT (US)
- (73) Assignee: **Nelwood Corp**, Murray, UT (US)
- (\*\*) Term: **15 Years**
- (21) Appl. No.: **29/825,516**

D802,270 S	11/2017	Kirschner	
10,111,490 B2	10/2018	Roser	
10,149,512 B1	12/2018	Wurtz	
10,188,172 B1	1/2019	Wurtz	
D845,593 S	4/2019	Wurtz	
D867,731 S	11/2019	Steele	
D869,137 S	12/2019	Fongher et al.	
D878,719 S	3/2020	Post	
D919,249 S *	5/2021	Post	D2/916
D919,250 S *	5/2021	Post	D2/916
D919,251 S *	5/2021	Post	A43B 13/12
			D2/916
D919,252 S *	5/2021	Post	D2/916

(Continued)

- (22) Filed: **Feb. 2, 2022**
- (51) **LOC (14) Cl.** ..... **02-04**
- (52) **U.S. Cl.**  
USPC ..... **D2/916; D2/902**
- (58) **Field of Classification Search**  
USPC ..... D2/896-900, 902-908, 916-918, 923,  
D2/946, 969, 972-974  
CPC ..... A43B 5/001-025; A43B 5/06; A43B 5/04  
See application file for complete search history.

*Primary Examiner* — Rashida C. Walshon  
(74) *Attorney, Agent, or Firm* — Pate Nelson & Hill,  
PLLC

(57) **CLAIM**  
The ornamental design for an athletic sandal upper, as shown and described.

**DESCRIPTION**

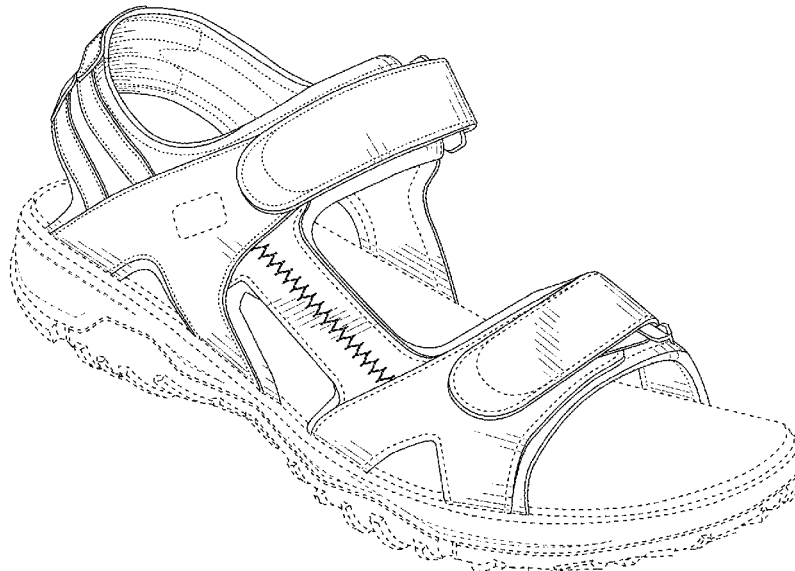
FIG. 1 is a frontal perspective view of a right-foot athletic sandal upper in accordance with the invention;  
FIG. 2 is a front elevation view of the right-foot athletic sandal upper;  
FIG. 3 is a rear elevation view of the right-foot athletic sandal upper;  
FIG. 4 is a left side elevation view of the right-foot athletic sandal upper;  
FIG. 5 is a right side elevation view of the right-foot athletic sandal upper;  
FIG. 6 is top plan view of the right-foot athletic sandal upper; and,  
FIG. 7 is a bottom plan view of the right-foot athletic sandal upper.  
The broken lines depict a portion of the article and form no part of the claimed design.

(56) **References Cited**

U.S. PATENT DOCUMENTS

D250,738 S	1/1979	Foldes	
D251,216 S	3/1979	Krippelz	
D278,571 S	4/1985	Eber	
5,561,919 A *	10/1996	Gill	A43B 13/12 36/11.5
D376,895 S	12/1996	Cook	
D409,360 S	5/1999	Movitz	
D416,667 S	11/1999	Lambstein	
D442,359 S *	5/2001	Matis	A43B 3/102 D2/969
D535,091 S *	1/2007	Matis	D2/969
7,823,299 B1	11/2010	Brigham	
D641,142 S	7/2011	Lindseth et al.	
D736,502 S	8/2015	Helwig	
D757,405 S	5/2016	Labarbera	
D761,003 S	7/2016	Sprint et al.	
D771,916 S	11/2016	Helwig	
D783,955 S	4/2017	Fullerton et al.	

**1 Claim, 4 Drawing Sheets**



(56)

**References Cited**

U.S. PATENT DOCUMENTS

D947,507 S *	4/2022	Giard .....	D2/916
D969,464 S *	11/2022	Schaetz .....	D2/916
D973,316 S *	12/2022	Burg .....	D2/916
2006/0288610 A1 *	12/2006	Laska .....	A43B 3/102 36/11.5

\* cited by examiner

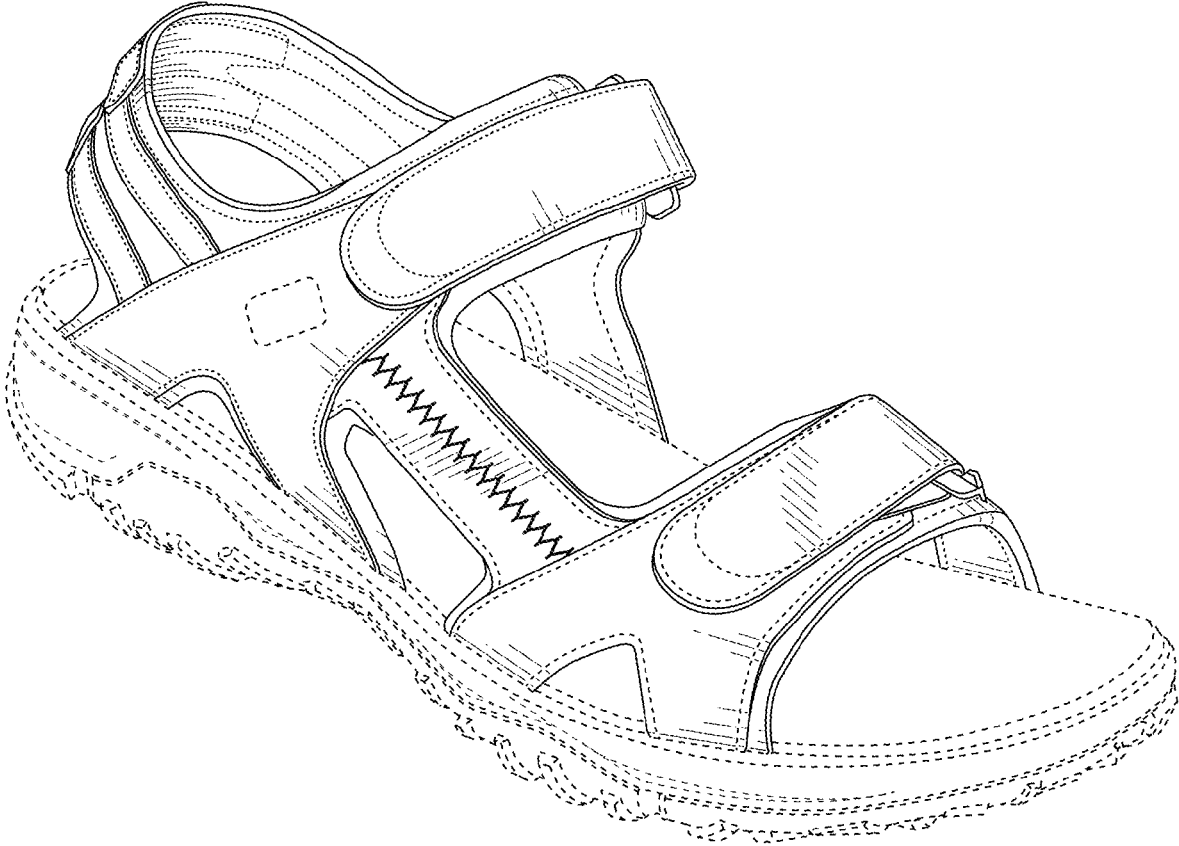


FIG. 1

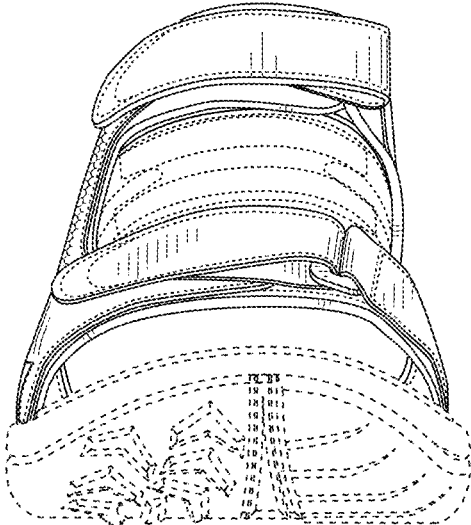


FIG. 2

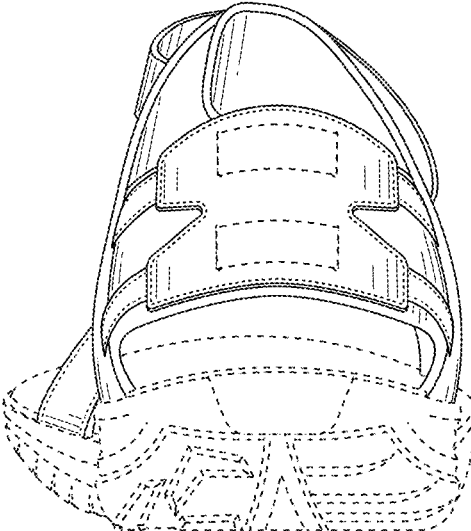


FIG. 3

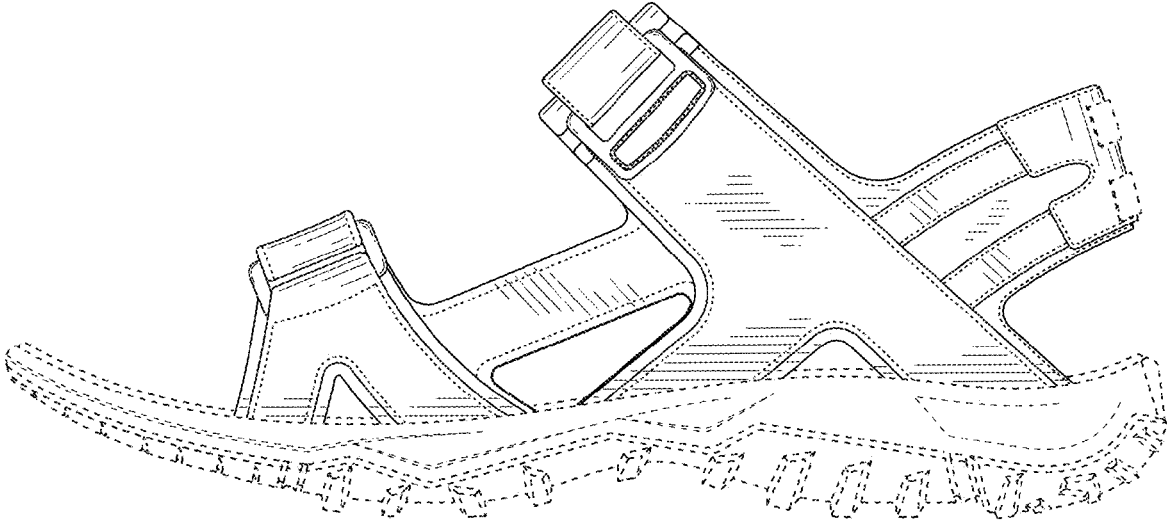


FIG. 4

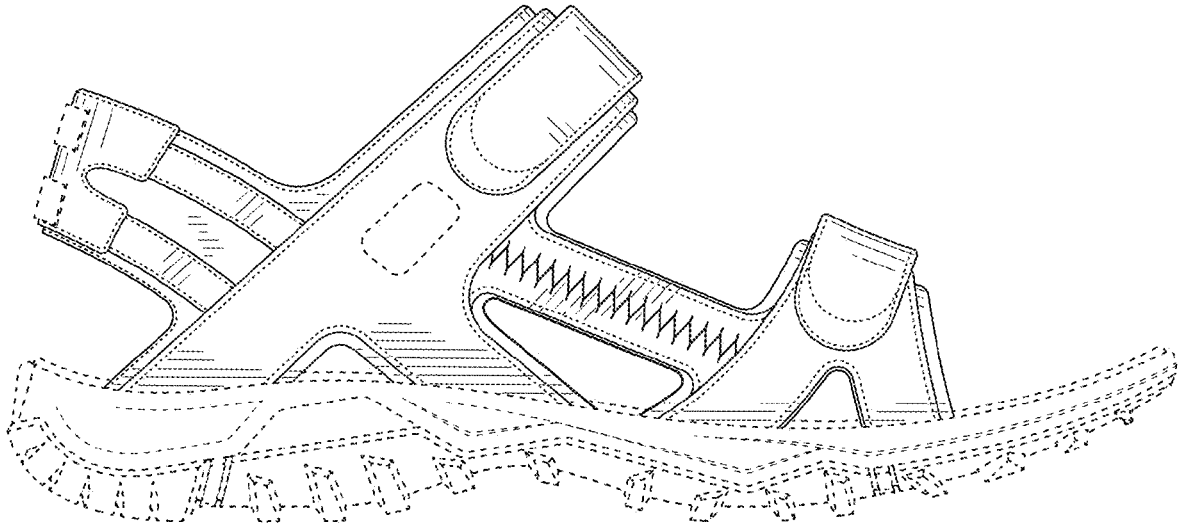


FIG. 5

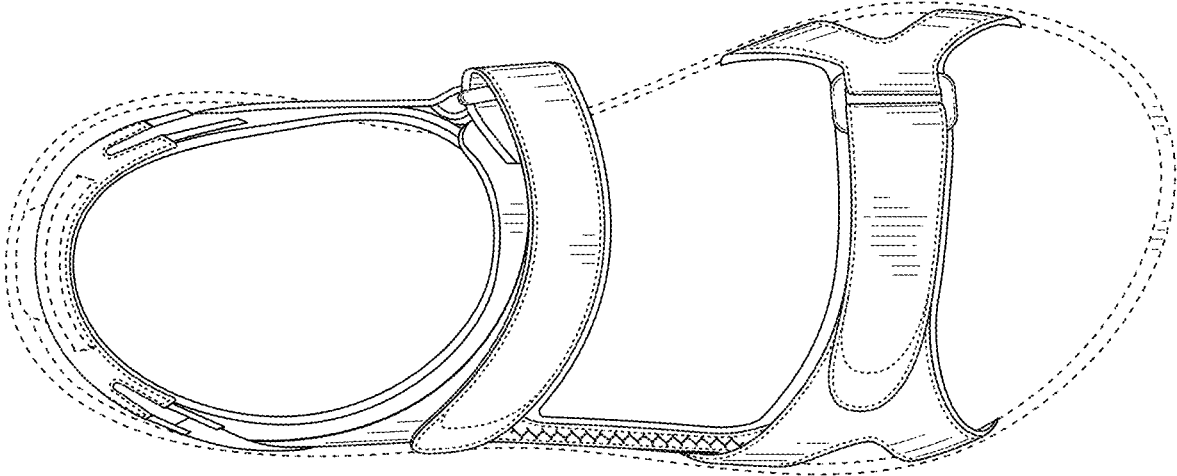


FIG. 6

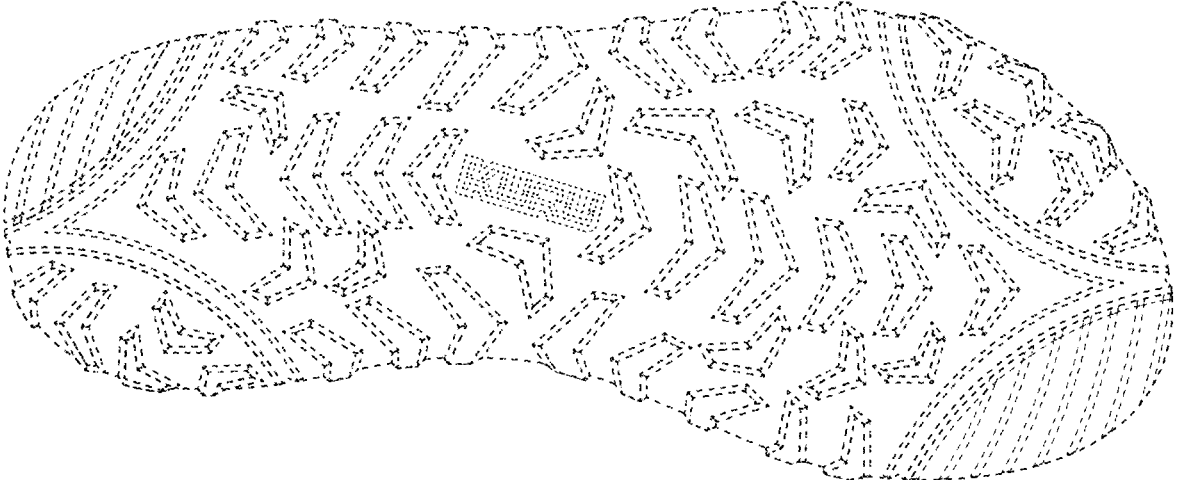


FIG. 7