



(12) **United States Design Patent**
Ouyang

(10) **Patent No.:** **US D900,512 S**
(45) **Date of Patent:** **** Nov. 3, 2020**

(54) **EXHIBITION TABLE**

(71) Applicant: **Guangdong Oppo Mobile Telecommunications Corp., Ltd., Dongguan, Guangdong (CN)**

(72) Inventor: **Zilun Ouyang, Guangdong (CN)**

(73) Assignee: **GUANGDONG OPPO MOBILE TELECOMMUNICATIONS CORP., LTD., Dongguan (CN)**

(**) Term: **15 Years**

(21) Appl. No.: **29/678,511**

(22) Filed: **Jan. 29, 2019**

(30) **Foreign Application Priority Data**

Aug. 2, 2018 (CN) 2018 3 0423972

(51) **LOC (12) Cl.** **20-02**

(52) **U.S. Cl.**
USPC **D6/675**

(58) **Field of Classification Search**

USPC D6/300, 310, 320, 329, 512, 513, 514, D6/515, 545, 567, 574, 641, 642, 661, D6/662.1, 663-691, 694, 702, 705, 705.2, D6/705.4, 705.5, 705.6, 705.7, 706, D6/708.16, 712, 719; D7/300, 301, 302, D7/303, 304, 305, 306, 307, 308, 309, D7/310, 311, 312, 313, 314, 315, 316, D7/317, 318, 319, 320, 321, 322, 396.1, D7/552.2, 600, 600.1, 600.4, 701; D8/71, D8/354, 363, 373, 374, 377, 381, 394; D3/201, 297, 304, 306
CPC A47B 11/00; A47B 9/00; A47B 51/00; A47B 57/00; A47B 57/08; A47B 57/10; A47B 57/16; A47B 57/30; A47B 45/00; A47B 47/00; A47B 47/021; A47B 47/025; A47B 47/027; A47B 87/00; A47B 87/008; A47B 87/02; A47B 87/0207; A47B 43/00; A47B 33/03; A47B 43/04; A47B 88/00; A47B 88/40; A47B 88/423;

A47B 88/427; A47B 19/00; A47B 31/00; A47B 2031/002; A47B 2031/003; A47B 2031/008; A47B 63/00; A47B 61/02; A47F 1/00; A47F 1/04; A47F 1/12; A47F 3/00; A47F 3/02; A47F 3/0439; A47F 5/00; A47F 5/00; A47F 5/0018; A47F 5/0043; A47F 10/02

See application file for complete search history.

(56) **References Cited**

U.S. PATENT DOCUMENTS

D408,657 S *	4/1999	Koch	D6/661
D457,027 S *	5/2002	Muller	D6/569
D741,091 S *	10/2015	Tio	D6/675
D807,086 S *	1/2018	Tio	D6/675

(Continued)

FOREIGN PATENT DOCUMENTS

CN	304651831 S	5/2018
CN	304899297 S	11/2018

Primary Examiner — Karen E Kearney
Assistant Examiner — Adam C Mager

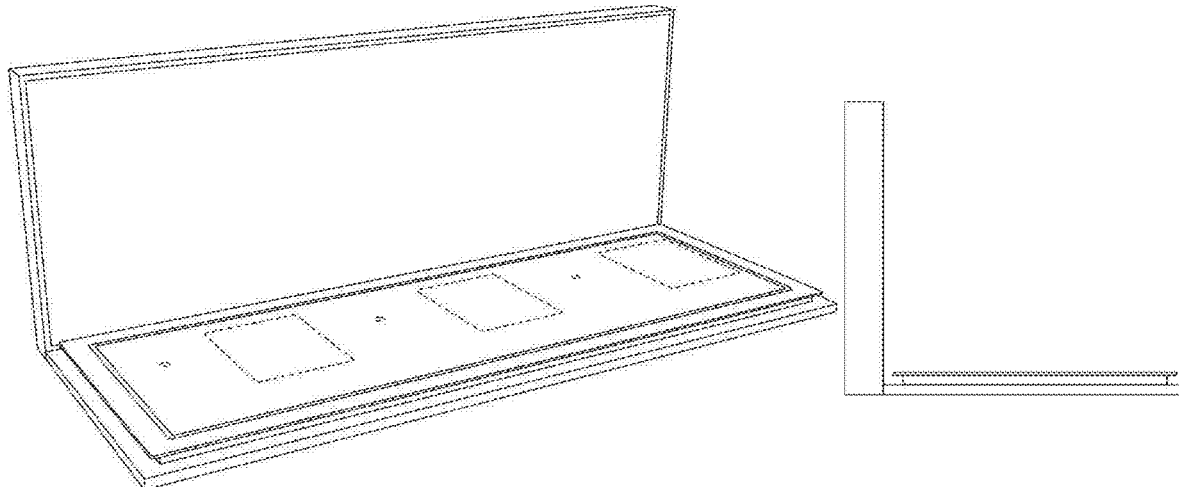
(57) **CLAIM**

The ornamental design for an exhibition table, as shown and described.

DESCRIPTION

FIG. 1 is a perspective view of an exhibition table showing my new design;
FIG. 2 is a front view thereof;
FIG. 3 is a left side view thereof;
FIG. 4 is a right side view thereof; and,
FIG. 5 is a top view thereof.
The bottom and rear views are flat and include no surface ornamentation.
The broken lines in the figures show portions of the exhibition table that form no part of the claimed design.

1 Claim, 2 Drawing Sheets



(56)

References Cited

U.S. PATENT DOCUMENTS

D821,119	S *	6/2018	Choi	D6/675
D824,702	S *	8/2018	Tio	D6/675
D842,627	S *	3/2019	Siminoff	D6/672
D842,628	S *	3/2019	Siminoff	D6/672
D861,391	S *	10/2019	Choi	D6/675
10,643,270	B1 *	5/2020	Vieville	H04L 12/1895
D887,756	S *	6/2020	Huang	D6/694

* cited by examiner

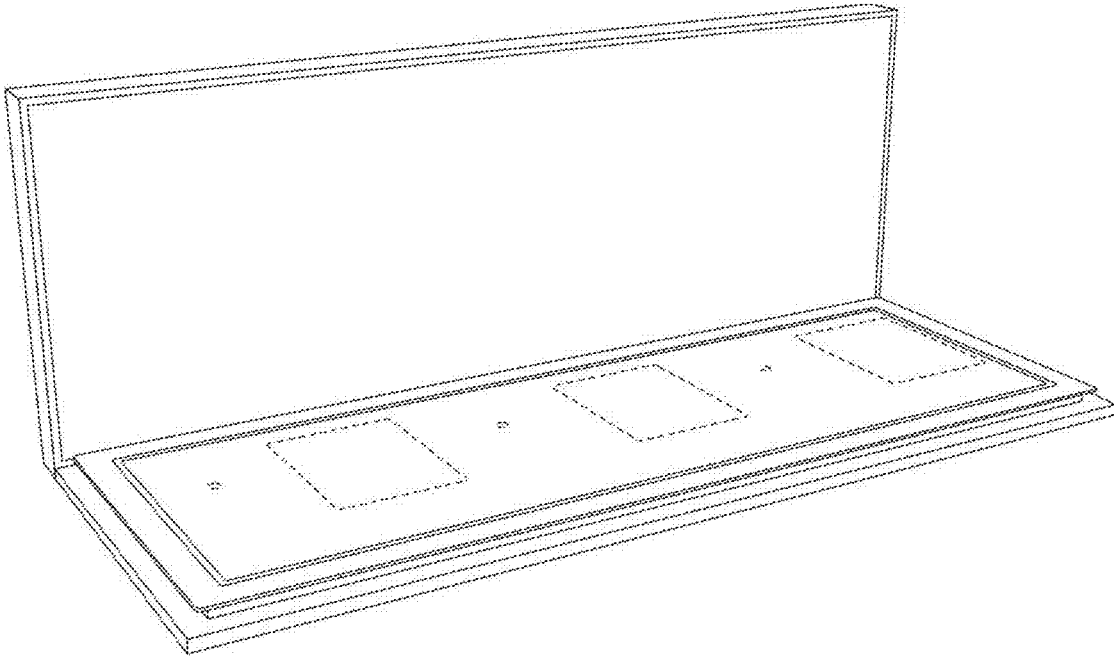


FIG. 1



FIG. 2

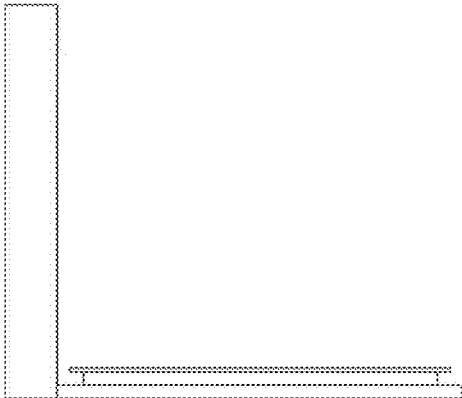


FIG. 3

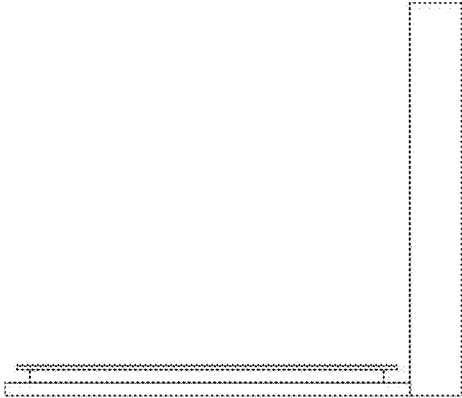


FIG. 4

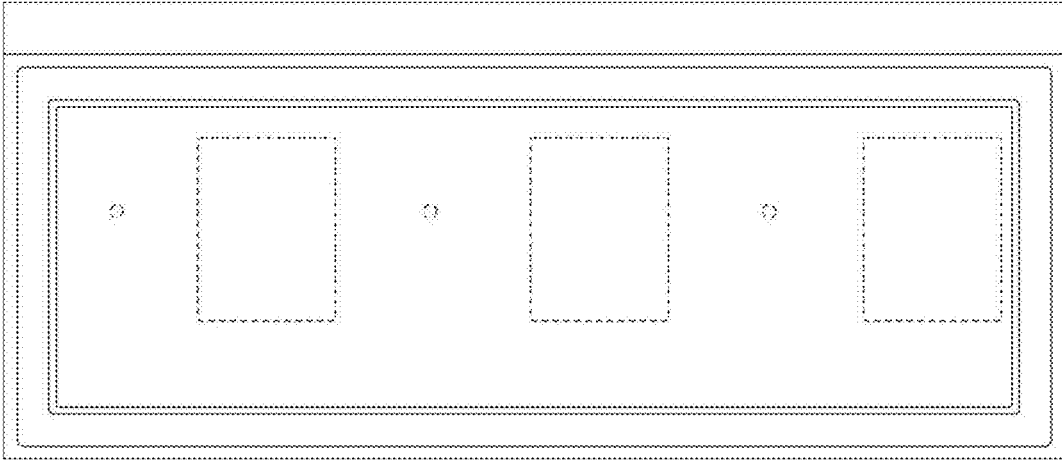


FIG. 5