



(12) **United States Design Patent**
Heath et al.

(10) **Patent No.:** **US D819,605 S**
(45) **Date of Patent:** **** Jun. 5, 2018**

(54) **WIRELESS REMOTE CONTROL DEVICE**

(71) Applicant: **TomTom International B.V.**,
Amsterdam (NL)

(72) Inventors: **Jonathan Heath**, Barnet (GB); **Martin Riddiford**, London (GB)

(73) Assignee: **TOMTOM INTERNATIONAL B.V.**,
Amsterdam (NL)

(**) Term: **15 Years**

(21) Appl. No.: **29/543,944**

(22) Filed: **Oct. 29, 2015**

(30) **Foreign Application Priority Data**

Apr. 29, 2015 (EM) 002692327

(51) **LOC (11) Cl.** **14-03**

(52) **U.S. Cl.**
USPC **D14/218**

(58) **Field of Classification Search**
USPC D14/218, 138 R, 137, 138 G; D13/168;
D21/329-333, 566; D10/30-34, 65;
D24/165; D7/601-602
CPC .. A61L 2/10; G06F 3/033; G09G 5/08; G08C
19/12; G08C 17/02; G08G 5/08
See application file for complete search history.

(56) **References Cited**

U.S. PATENT DOCUMENTS

D405,082 S *	2/1999	Shibata	D14/507
D426,637 S *	6/2000	Ochi	D24/165
D442,094 S *	5/2001	Seo	D10/65
D478,018 S *	8/2003	Adamosky	D10/65
D482,671 S *	11/2003	DiDonato	D10/31
D502,164 S *	2/2005	Ko	D14/203.5
D531,157 S *	10/2006	Lheem	D14/138 AB
D540,292 S *	4/2007	Lee	D14/138 AB
D542,157 S *	5/2007	Lafever	D10/32

D544,762 S *	6/2007	Zimmerman	D7/601
7,310,083 B2 *	12/2007	Hagiwara	G06F 3/03548 200/5 R
D563,434 S *	3/2008	Dai	D14/496
D574,496 S *	8/2008	Kitamura	D24/165
D601,172 S *	9/2009	Andre	D14/496
D612,825 S *	3/2010	Kim	D14/138 AB

(Continued)

FOREIGN PATENT DOCUMENTS

EM	002656041-0001	*	4/2015
EM	002692327-0001	*	5/2015

OTHER PUBLICATIONS

GoPro Smart Remote ARMTE-002 B&H Photo Video, review date Apr. 19, 2016, [site visited Sep. 28, 2016 9:30:32 PM], <https://www.bhphotovideo.com/...>
MW5D3GICi8p7dTQrzZ1SVtGMuxd0C4EJck_q4aQprAgaArB48P8HAQ&is=REG&ap=y&m=Y&c3api=1876%2C92051678762%2C&A=details&Q=.*

(Continued)

Primary Examiner — John Windmuller
Assistant Examiner — John R Yeh

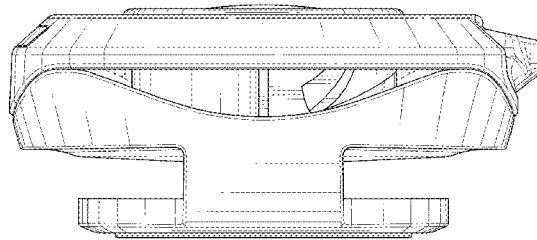
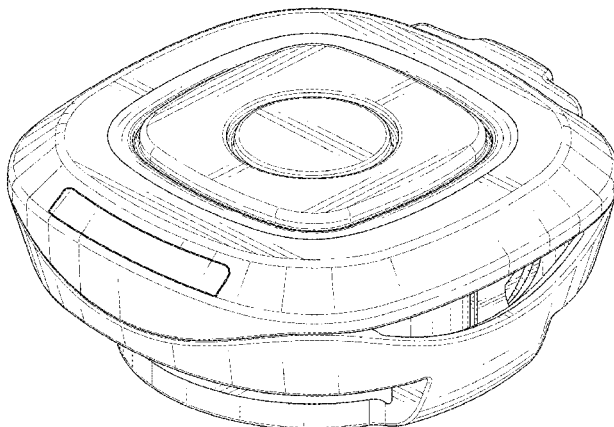
(57) **CLAIM**

The ornamental design for a wireless remote control device, as shown and described.

DESCRIPTION

FIG. 1 is a top perspective view of the remote control device. FIG. 2 is a left side view of the device. FIG. 3 is a right side view of the device. FIG. 4 is a front view of the device. FIG. 5 is top view of the device; and, FIG. 6 is a colour rendered top perspective view of the device; the colours used being for exemplary purposes only. The broken lines in FIG. 4 show portions of the wireless remote control device that form no part of the claimed design.

1 Claim, 4 Drawing Sheets



(56)

References Cited

U.S. PATENT DOCUMENTS

D624,593	S	*	9/2010	Prendiville	D19/62
D638,443	S	*	5/2011	Akana	D14/203.3
D656,615	S	*	3/2012	Tzeng	D11/26
D662,424	S	*	6/2012	Lindsay	D7/602
D664,046	S	*	7/2012	Claessens	D10/32
D666,186	S	*	8/2012	Zheng	D14/248
D689,862	S	*	9/2013	Liu	D14/402
D722,045	S	*	2/2015	Mok	D14/218

OTHER PUBLICATIONS

2016 Hello Kitty Preservation Box Plastic Seal Food Fruit Storage Box Container, <http://www.dhgate.com/product/3pcs-set-hello-kitty-preservation-box-plastic/379546811.html#s1-26-1;disc13795357861>, [site visited Sep. 28, 2016 10:00:56 PM].*

TomTom 9LBA.001.04 Bandit Action Camcorder Remote Control—Newegg.com, website copyright 2017, <https://www.newegg.com/Product/Product.aspx?Item=9SIA4P05W91679>, [site visited Jul. 8, 2017 9:19:26 PM].*

* cited by examiner

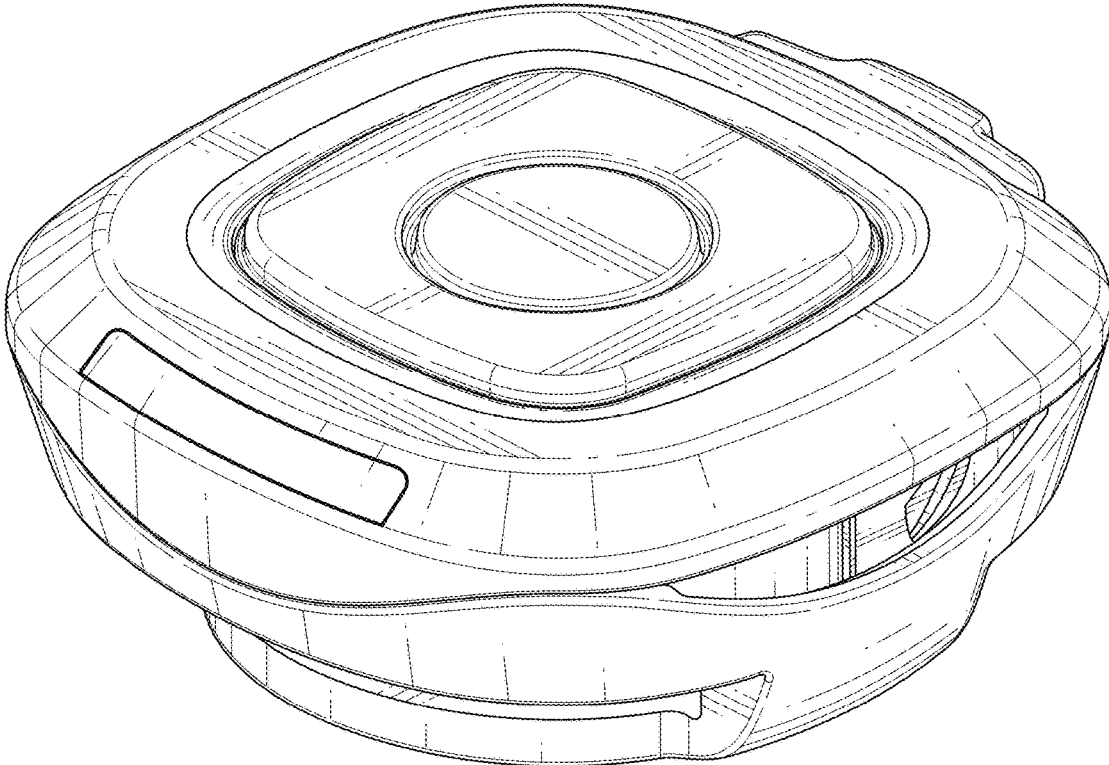


FIG. 1

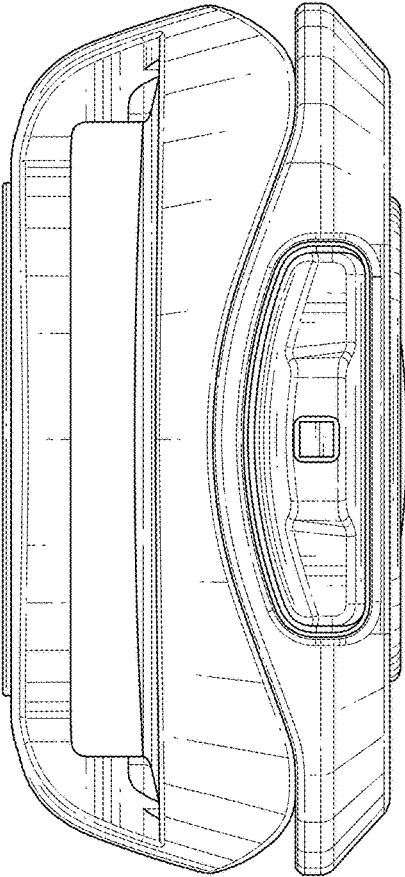


FIG. 2

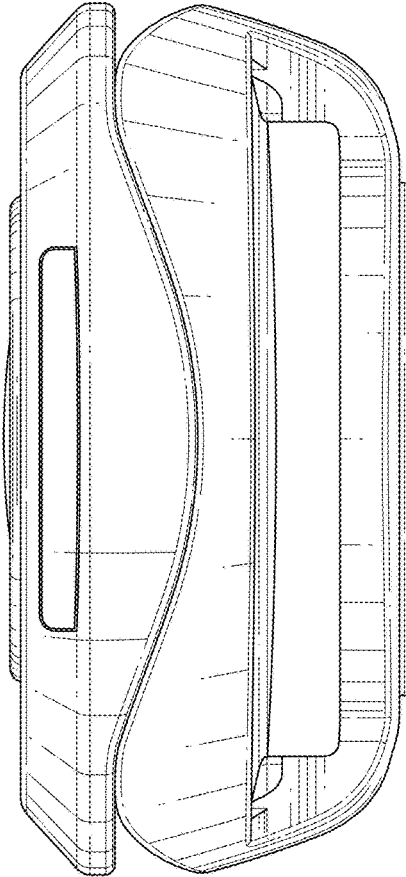


FIG. 3

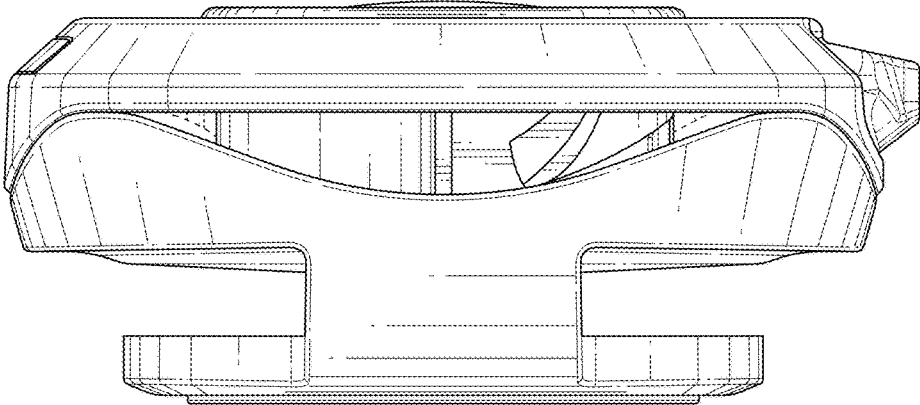


FIG. 4

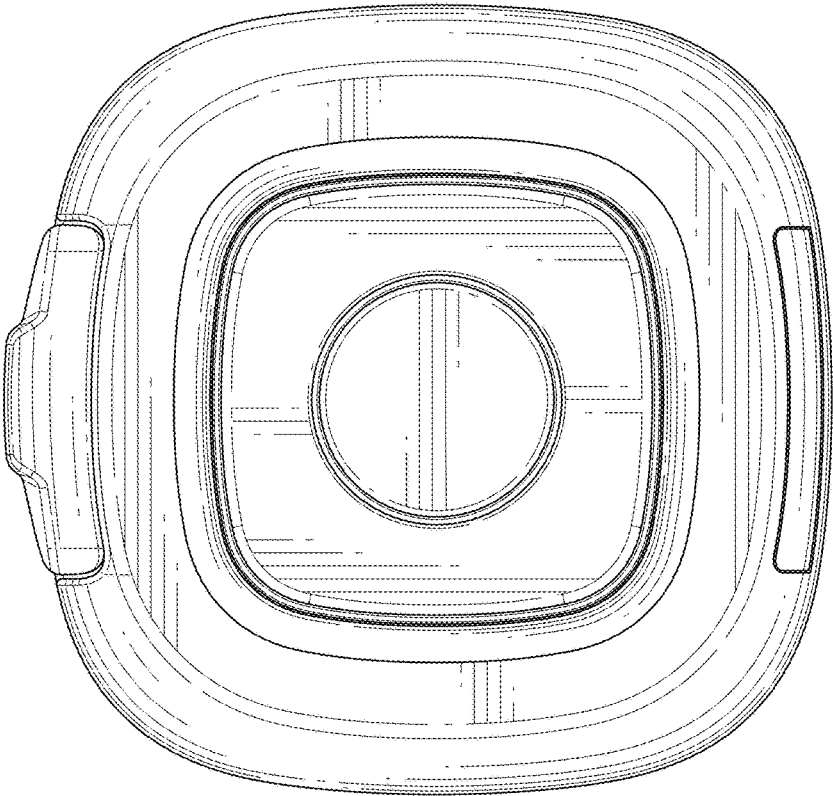


FIG. 5



Figure 6