



US00D897056S

(12) **United States Design Patent** (10) **Patent No.:** **US D897,056 S**
Takai et al. (45) **Date of Patent:** **** Sep. 22, 2020**

(54) **PET TOILET** 8,522,719 B2 * 9/2013 Feld A01G 9/033
119/168
(71) Applicant: **UNICHARM CORPORATION,** 9,204,617 B2 * 12/2015 Yamamoto A01K 1/0114
Ehime (JP) 9,723,807 B2 * 8/2017 Abe A01K 1/0107
(Continued)

(72) Inventors: **Chiyo Takai,** Kagawa (JP); **Shinya Kaneko,** Kagawa (JP); **Terutoki Kobayashi,** Toyama (JP); **Yuta Ida,** Toyama (JP)

FOREIGN PATENT DOCUMENTS

JP 2008-148603 A 7/2008
JP 2011-135839 A 7/2011
(Continued)

(73) Assignee: **UNICHARM CORPORATION,**
Ehime (JP)

OTHER PUBLICATIONS

(**) Term: **15 Years**

Chiyo Takagi et al., Pet Toilet, Non-published Design U.S. Appl. No. 29/530,768, filed Jun. 19, 2015, 11 pages.

(21) Appl. No.: **29/649,328**

Primary Examiner — Sheryl Lane
Assistant Examiner — Aula Soroush

(22) Filed: **May 29, 2018**

(74) *Attorney, Agent, or Firm* — Hauptman Ham, LLP

(30) **Foreign Application Priority Data**

Nov. 29, 2017 (JP) 2017-026638

(57) **CLAIM**

(51) **LOC (12) Cl.** **30-99**

The ornamental design for a pet toilet, as shown and described.

(52) **U.S. Cl.**
USPC **D30/161**

DESCRIPTION

(58) **Field of Classification Search**
USPC D30/158-161; D3/304
CPC A01K 1/011; A01K 1/0107; A01K 1/0125;
A01K 1/0121; A47K 11/02; A47K 11/06;
A47K 13/00; A47K 13/06; A47K 13/14
See application file for complete search history.

FIG. 1 is a front perspective view of a pet toilet showing our new design;
FIG. 2 is a bottom perspective view thereof;
FIG. 3 is a front view thereof;
FIG. 4 is a rear view thereof;
FIG. 5 is a left side view thereof;
FIG. 6 is a right side view thereof;
FIG. 7 is a top plan view thereof;
FIG. 8 is a bottom plan view thereof; and,
FIG. 9 is a sectional view of FIG. 7 taken along lines 9-9 in FIG. 7.

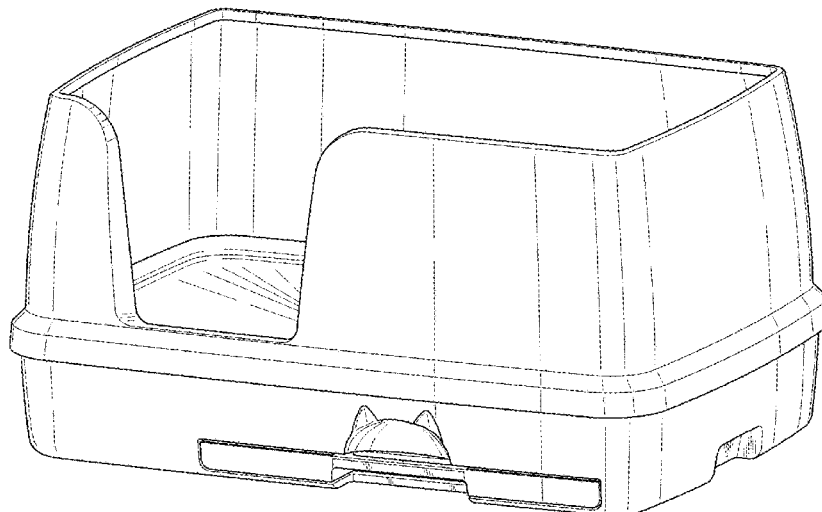
(56) **References Cited**

U.S. PATENT DOCUMENTS

D380,880 S * 7/1997 Reid D30/118
D388,560 S * 12/1997 Savicki D30/118
6,615,765 B1 * 9/2003 Thomas A01K 1/0107
119/161
7,096,823 B1 * 8/2006 Smeltzer A01K 1/0114
119/161
7,568,448 B2 * 8/2009 Yamamoto A01K 1/0114
119/166
D652,587 S * 1/2012 Matsuo D30/161

The broken lines in the drawings are for the purpose of illustrating portions of the pet toilet that form no part of the claimed design.

1 Claim, 8 Drawing Sheets



(56)

References Cited

U.S. PATENT DOCUMENTS

D796,748 S * 9/2017 Takagi D30/161
D840,611 S * 2/2019 Takagi D30/161
2012/0204800 A1 8/2012 Beaudoin et al.
2013/0213311 A1* 8/2013 Matsuo A01K 1/0107
119/169
2015/0334981 A1* 11/2015 Matsuo A01K 1/0107
119/165

FOREIGN PATENT DOCUMENTS

JP 2016-158621 A 9/2016
JP 2017-153402 A 9/2017
JP 6295365 B1 3/2018

* cited by examiner

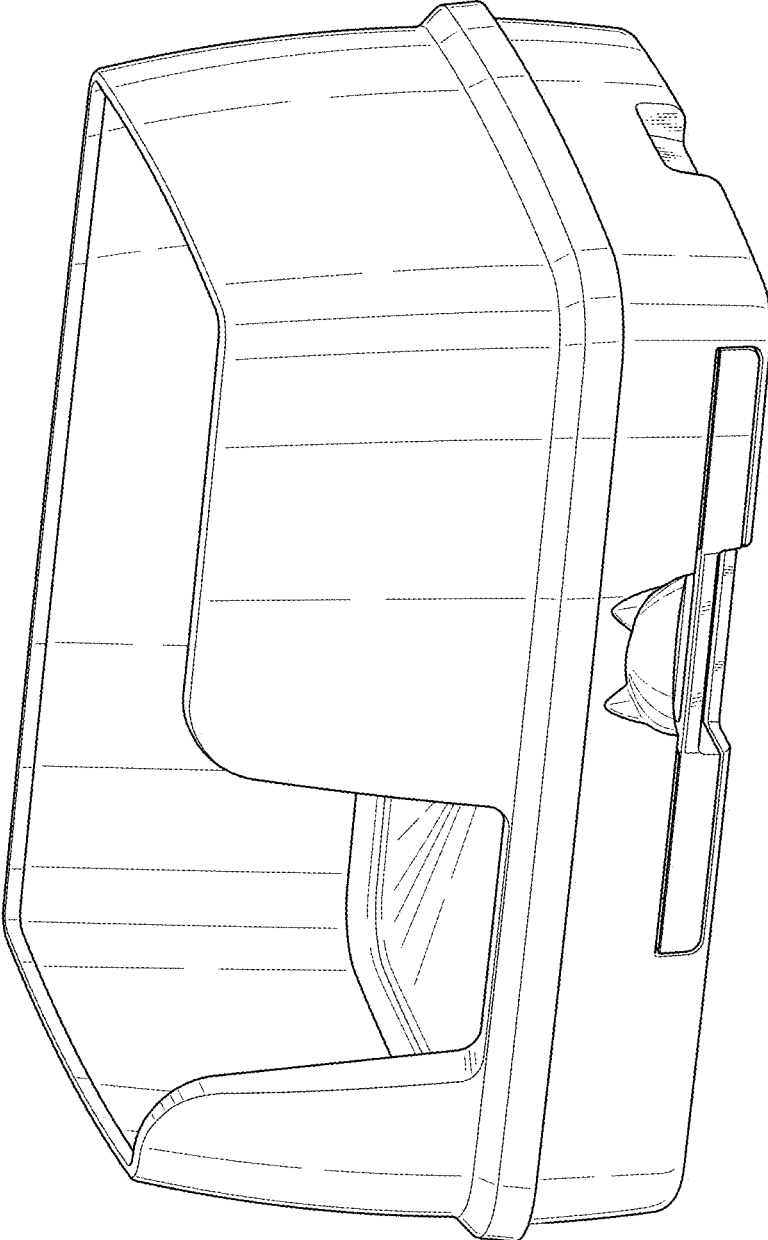


FIG. 1

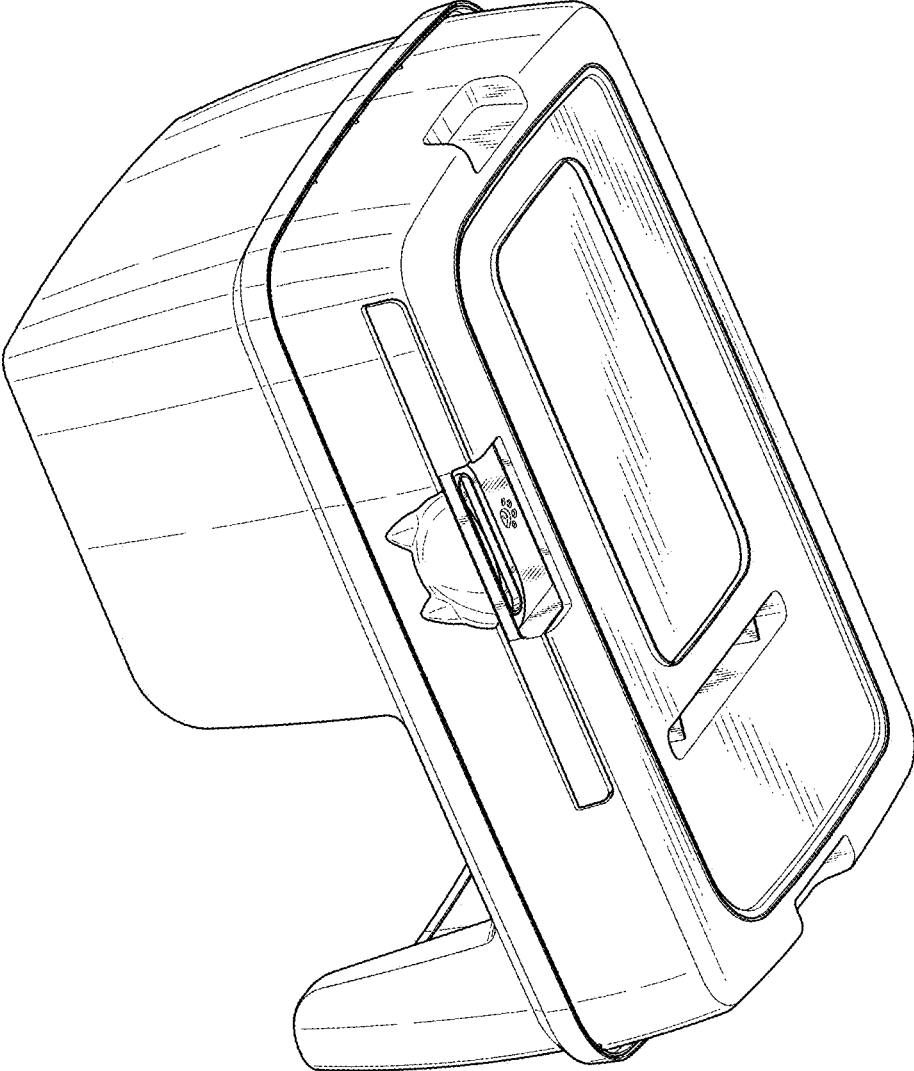


FIG. 2

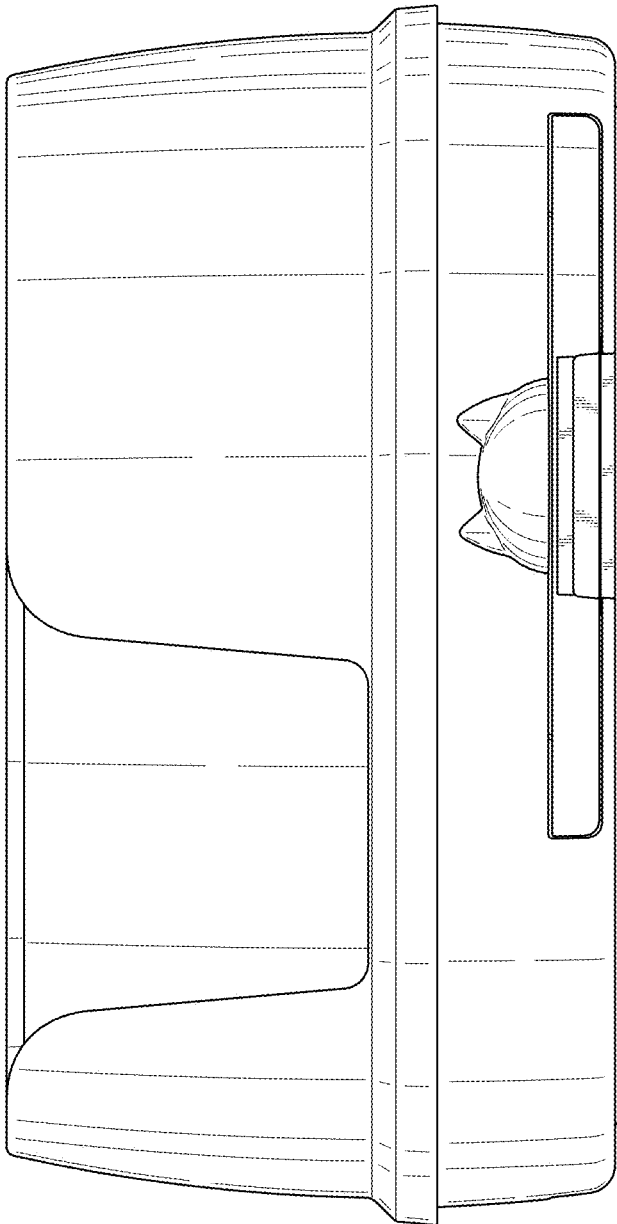


FIG. 3

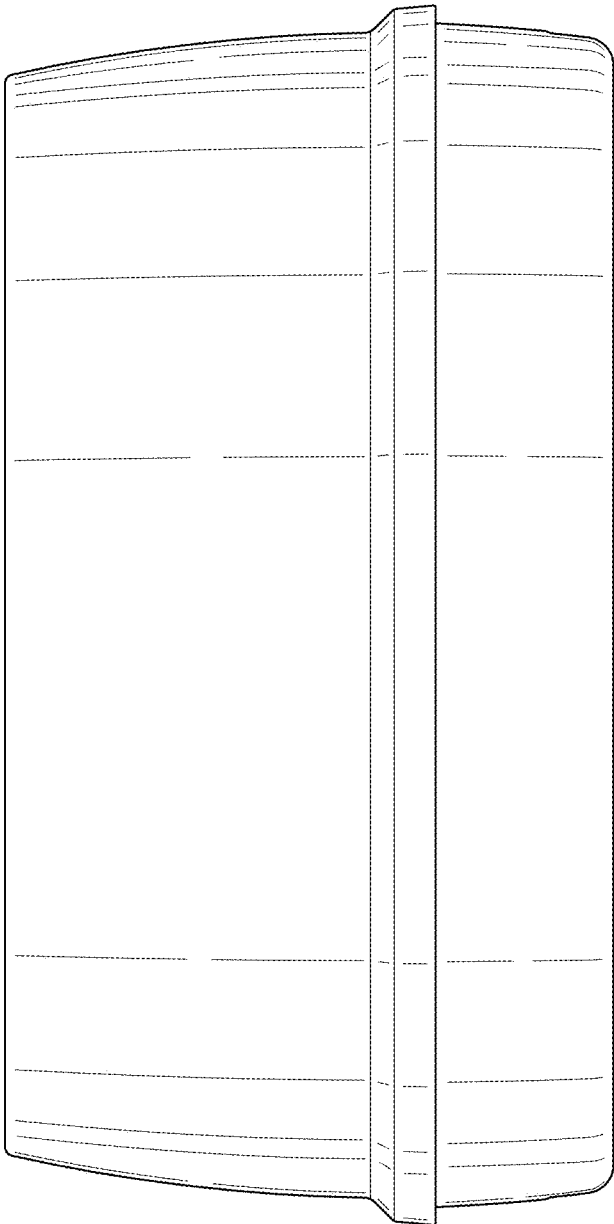


FIG. 4

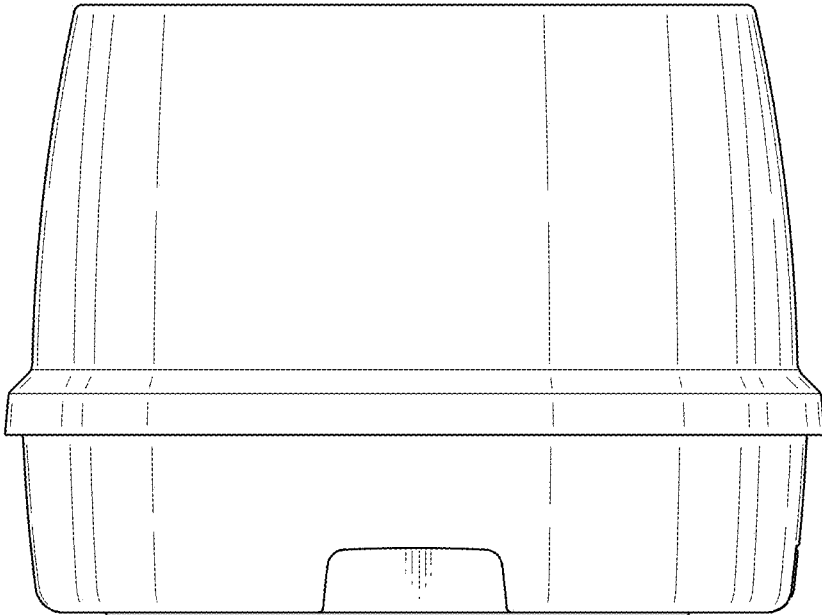


FIG. 5

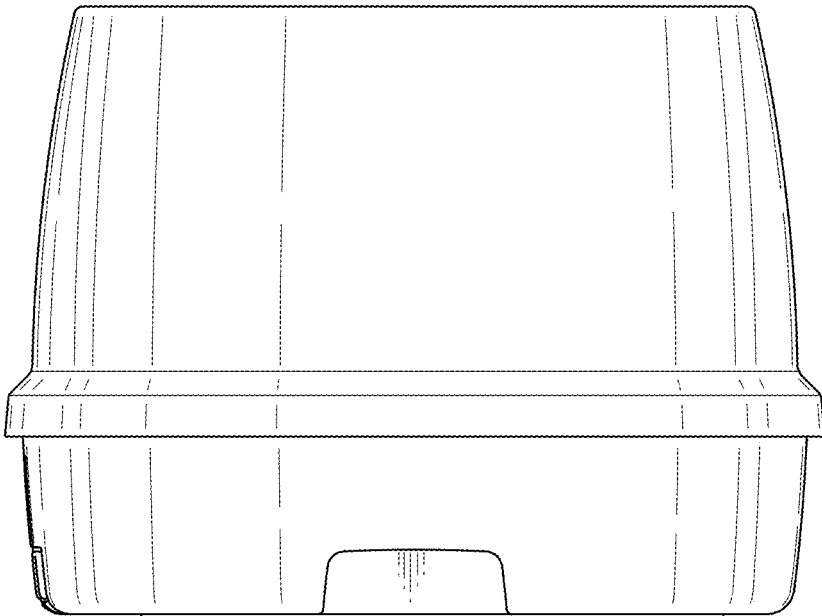


FIG. 6

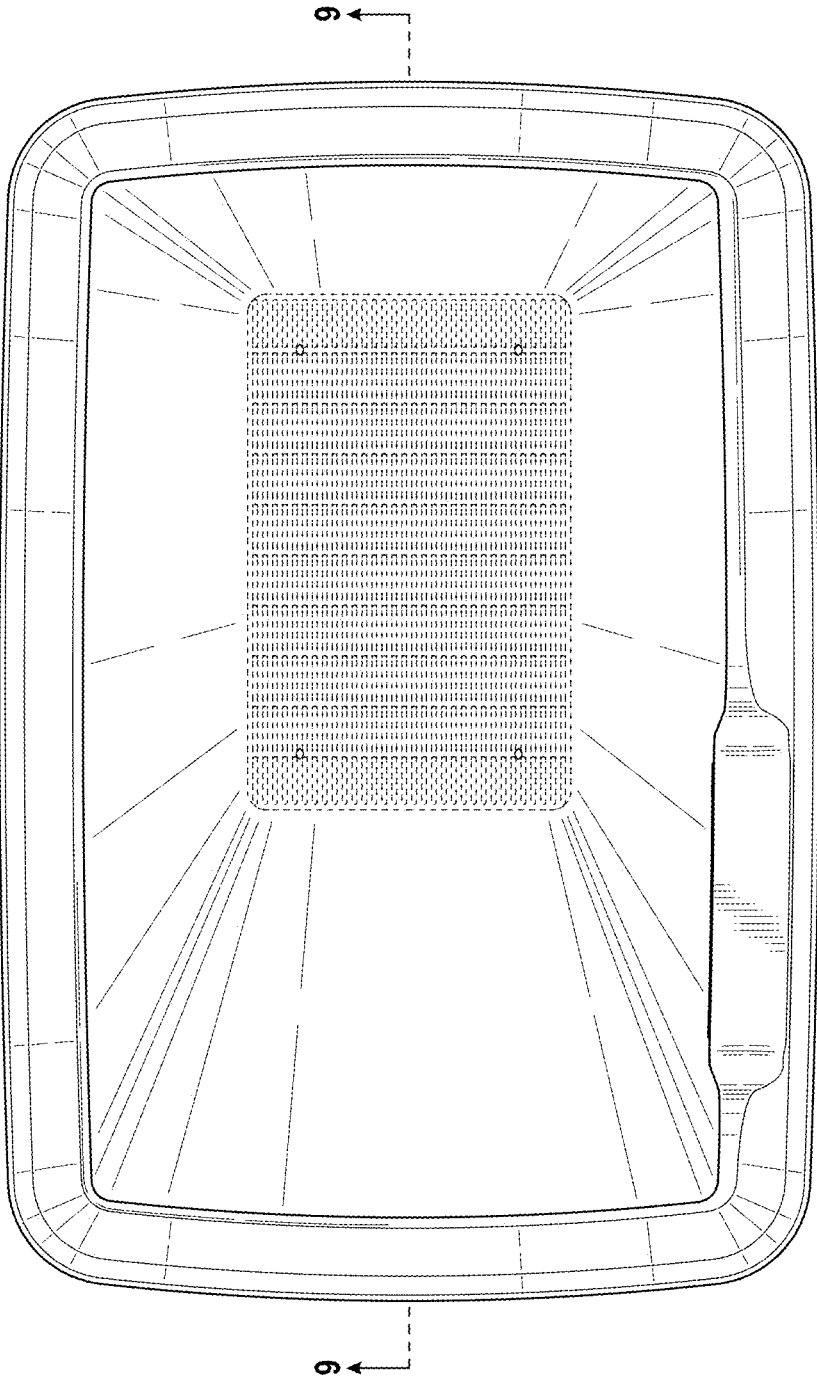


FIG. 7

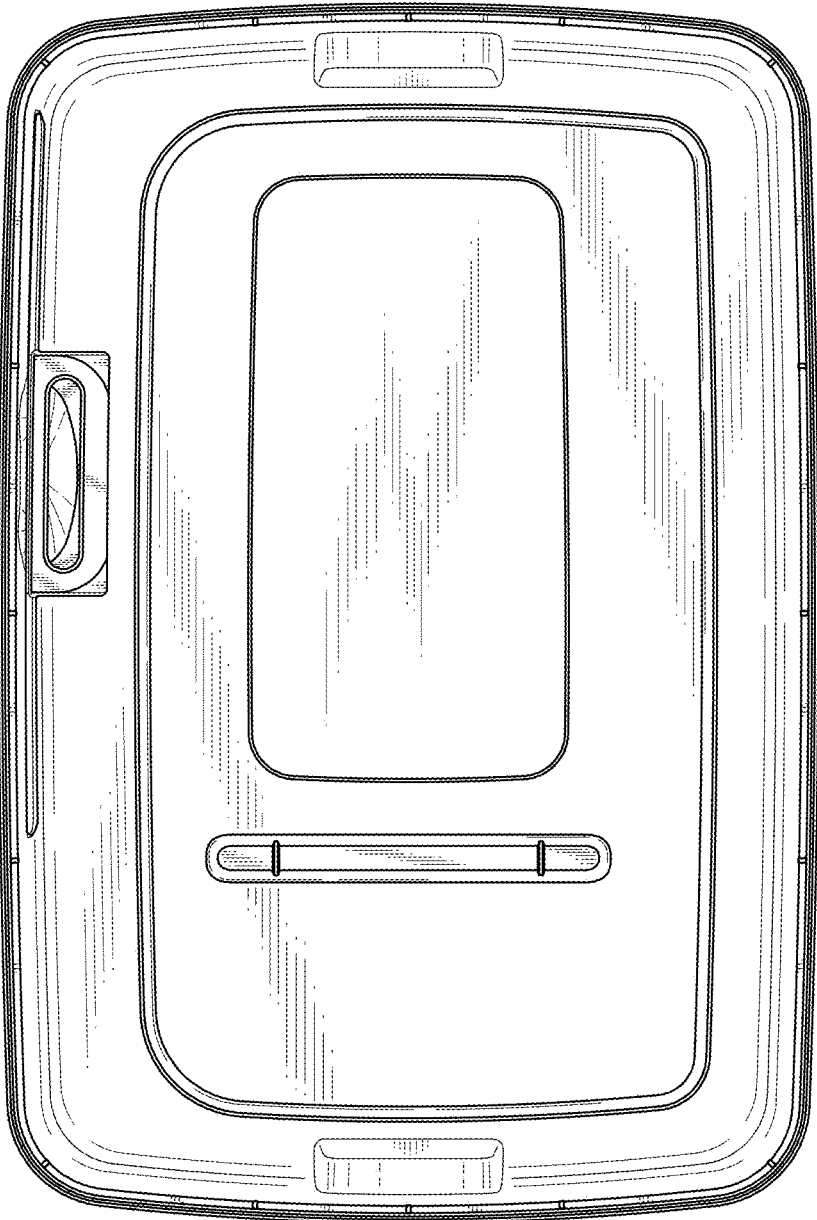


FIG. 8

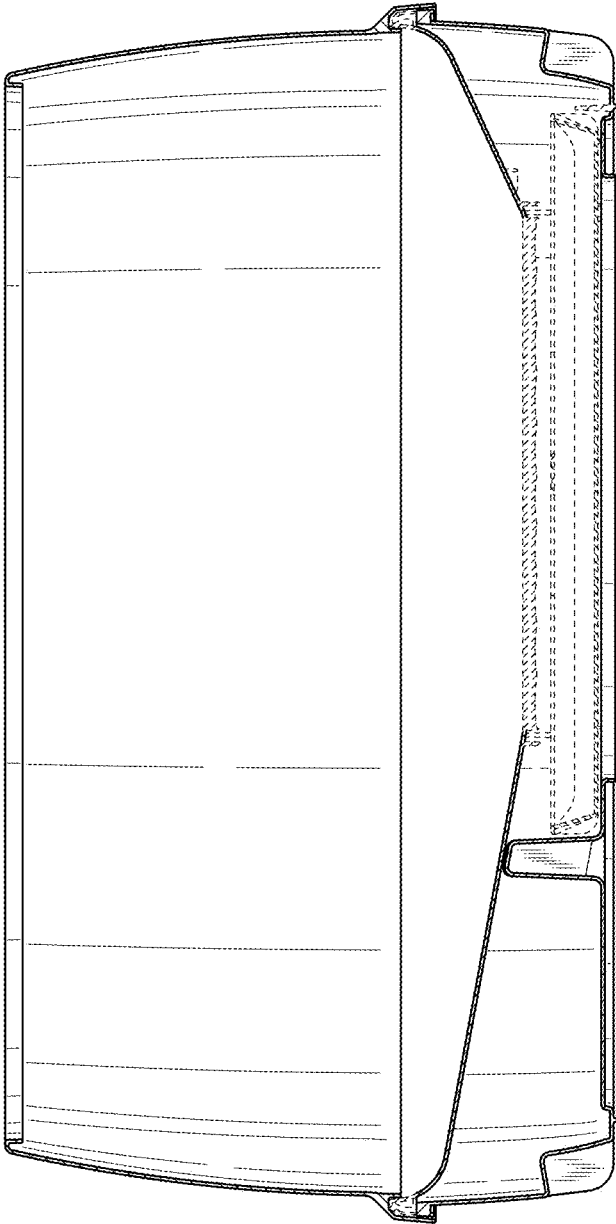


FIG. 9