



US00D754390S

(12) **United States Design Patent**  
**Mittersinker et al.**

(10) **Patent No.:** **US D754,390 S**

(45) **Date of Patent:** **\*\* Apr. 19, 2016**

(54) **SMOKING ACCESSORY**

(71) Applicant: **Philip Morris Products S.A.**, Neuchatel (CH)

(72) Inventors: **Gregor Mittersinker**, Warwick, RI (US); **Aaron Abroff**, Acton, MA (US); **Laurent Manca**, Grandvaux (CH)

(73) Assignee: **PHILIP MORRIS PRODUCTS S.A.**, Neuchatel (CH)

(\*\*) Term: **14 Years**

(21) Appl. No.: **29/498,177**

(22) Filed: **Jul. 31, 2014**

**Related U.S. Application Data**

(62) Division of application No. 29/422,430, filed on May 21, 2012, now Pat. No. Des. 736,994.

(30) **Foreign Application Priority Data**

Nov. 21, 2011	(EM)	001303150-0001
Nov. 21, 2011	(EM)	001303150-0002
Nov. 21, 2011	(EM)	001303150-0003
Nov. 21, 2011	(EM)	001303150-0004
Nov. 21, 2011	(EM)	001303150-0005
Nov. 21, 2011	(EM)	001303150-0006

(51) **LOC (10) Cl.** ..... **27-01**

(52) **U.S. Cl.**  
USPC ..... **D27/101**

(58) **Field of Classification Search**  
USPC ..... D27/100, 101, 163; 131/270-273, 131/360-368, 329, 330  
CPC ..... A24C 1/18; A24D 1/00; A61M 15/06; A24F 47/002

See application file for complete search history.

(56) **References Cited**

**U.S. PATENT DOCUMENTS**

86,101 A \* 1/1869 Reckendorfer .... B43K 29/0875 40/335  
111,089 A 1/1871 Scholfield

(Continued)

**FOREIGN PATENT DOCUMENTS**

CN 300921772 5/2009  
CN 300929777 5/2009

(Continued)

**OTHER PUBLICATIONS**

Republic of Vietnam Office Action dated Mar. 12, 2014, in application No. 3-2012-00828, with English translation, 4 pp.

(Continued)

*Primary Examiner* — Susan Bennett Hattan

*Assistant Examiner* — Janice Hallmark

(74) *Attorney, Agent, or Firm* — Oblon, McClelland, Maier & Neustadt, L.L.P.

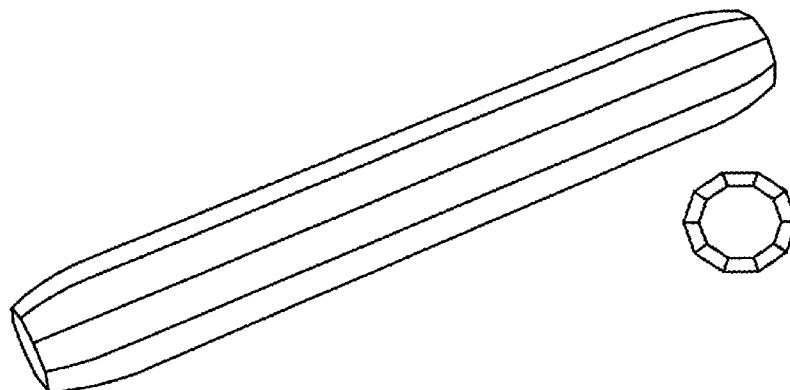
(57) **CLAIM**

The ornamental design for a smoking accessory, as shown and described.

**DESCRIPTION**

FIG. 1 shows a perspective view of the back, top, and left side of the design for a smoking accessory; FIG. 2 shows a right side view thereof; FIG. 3 shows a top plan view thereof; FIG. 4 shows a left side view thereof; FIG. 5 shows a bottom plan view thereof; FIG. 6 shows a front plan view thereof; FIG. 7 shows a back plan view thereof; FIG. 8 shows a perspective view of the back, top, and left side of another embodiment of the design for a smoking accessory; FIG. 9 shows a right side view thereof; FIG. 10 shows a top plan view thereof; FIG. 11 shows a left side view thereof; FIG. 12 shows a bottom plan view thereof; FIG. 13 shows a front plan view thereof; and, FIG. 14 shows a back plan view thereof.

**1 Claim, 14 Drawing Sheets**



(56)

References Cited

U.S. PATENT DOCUMENTS

D28,836 S	6/1898	Heitmann	
D34,334 S	4/1901	Requard	
1,672,934 A *	6/1928	Engstrom	A24D 1/042
			131/363
1,995,069 A *	3/1935	Lim	A24C 1/32
			131/365
2,027,596 A *	1/1936	Kurz	A23L 1/007
			426/102
2,075,493 A *	3/1937	Adair	A24D 1/042
			131/361
D132,773 S *	6/1942	Saulsbury	D19/186
2,364,849 A *	12/1944	Ibbotson	A01K 87/00
			124/23.1
2,445,476 A	7/1948	Folkman	
3,516,417 A	6/1970	Moses	
3,587,573 A	6/1971	Flack	
D229,725 S	12/1973	Berger	
D229,726 S *	12/1973	Finn	D27/163
D229,788 S	1/1974	Berger	
D229,789 S	1/1974	Berger	
D229,790 S	1/1974	Berger	
RE30,704 E *	8/1981	Hughes	A24D 1/08
			131/351
5,042,510 A	8/1991	Curtiss et al.	
5,269,327 A	12/1993	Counts et al.	
5,417,227 A	5/1995	West	
5,611,360 A	3/1997	Tang	
5,613,504 A	3/1997	Collins et al.	
D404,515 S *	1/1999	Dal Monte	D27/101
D404,516 S *	1/1999	Benhamou	D27/101
D404,517 S *	1/1999	Dal Monte	D27/101
D404,518 S *	1/1999	Dal Monte	D27/101
D404,519 S *	1/1999	Dal Monte	D27/101
D405,219 S *	2/1999	Dal Monte	D27/101
D405,220 S *	2/1999	Dal Monte	D27/101
D405,221 S *	2/1999	Dal Monte	D27/101
5,865,185 A	2/1999	Collins et al.	
D410,107 S *	5/1999	Dal Monte	D27/101
D410,765 S	6/1999	Gawryk	
6,532,965 B1	3/2003	Abhulimen et al.	
D493,911 S *	8/2004	Somma	D27/101
D590,988 S	4/2009	Hon	
D590,989 S	4/2009	Hon	
D614,346 S *	4/2010	Lik	D27/101
D624,238 S	9/2010	Turner	
D642,330 S *	7/2011	Turner	D24/133
D644,375 S	8/2011	Zhou	
D646,431 S	10/2011	Awty et al.	
D653,803 S	2/2012	Timmermans	
D654,950 S *	2/2012	Ryan	D19/133
D655,036 S	2/2012	Zhou	
D657,091 S	4/2012	Braveman	
D662,257 S *	6/2012	Alelov	D27/101
D666,355 S *	8/2012	Alelov	D27/101
D667,878 S *	9/2012	Xie	D19/163
D685,522 S	7/2013	Potter et al.	
D687,181 S	7/2013	Goch	
8,499,766 B1	8/2013	Newton	
D691,765 S	10/2013	Tucker et al.	
D691,766 S	10/2013	Tucker et al.	
D693,053 S *	11/2013	Chen	D27/101
D694,468 S *	11/2013	Chen	D27/101
D695,449 S	12/2013	Tucker et al.	
D696,455 S	12/2013	Abroff	
D696,815 S	12/2013	Abroff	
D699,391 S	2/2014	Abroff et al.	
8,646,461 B2	2/2014	von Borstel et al.	
D720,882 S *	1/2015	Albanese	D27/101
D720,883 S *	1/2015	Albanese	D27/101
D723,216 S *	2/2015	Chen	D27/101
D725,310 S *	3/2015	Eksouzian	D27/101
D725,821 S *	3/2015	Levin	D27/101
D725,822 S *	3/2015	Liu	D27/101
D736,994 S *	8/2015	Mittersinker	D27/101

2003/0029465 A1	2/2003	Strickland et al.
2011/0290268 A1	12/2011	Schennum
2014/0352707 A1*	12/2014	Liu
		A24F 47/008
		131/329

FOREIGN PATENT DOCUMENTS

CN	301100296	12/2009
CN	301114285	1/2010
CN	301168378	3/2010
CN	301168379	3/2010
CN	301168380	3/2010
CN	301168381	3/2010
CN	301168382	3/2010
CN	301168383	3/2010
CN	301322530 S	8/2010
CN	301357985 S	9/2010
CN	301376916 S	11/2010
CN	301412347 S	12/2010
CN	301428288 S	12/2010
CN	301547690 S	5/2011
CN	301547691 S	5/2011
CN	301555201 S	5/2011
CN	301722386 S	9/2011
CN	301722384 S	11/2011
CN	301744970 S	11/2011
CN	301970169 S	6/2012
EM	000084876-0001	1/2004
EM	000084876-0002	1/2004
EM	000084876-0003	1/2004
EM	000084876-0004	1/2004
EM	000084876-0005	1/2004
EM	000084876-0006	1/2004
EM	000084876-0007	1/2004
EM	000084876-0008	1/2004
EM	000084876-0009	1/2004
EM	000084876-0010	1/2004
EM	000084876-0011	1/2004
EM	000084876-0012	1/2004
EM	000084876-0013	1/2004
EM	000084876-0014	1/2004
EM	000084876-0015	1/2004
EM	000084876-0016	1/2004
EM	000084876-0017	1/2004
EM	01025779-0001	11/2008
EM	001857558-0001	5/2011
EM	001307649-0002	12/2011
EM	001307649-0003	12/2011
EM	001307649-0004	12/2011
EM	001307649-0005	12/2011
EM	001307649-0006	12/2011
EM	001303150-0001	1/2012
EM	001303150-0002	1/2012
EM	001303150-0003	1/2012
EM	001303150-0004	1/2012
EM	001303150-0005	1/2012
EM	001303150-0006	1/2012
EM	001317556-0007	3/2012
EM	001317556-0008	3/2012
EM	001317556-0009	3/2012
EM	001991100-0001	3/2012
EM	001991100-0002	3/2012
EM	001991100-0003	3/2012
EM	001991100-0004	3/2012
EM	001991100-0005	3/2012
EM	001991100-0006	3/2012
EM	001991100-0007	3/2012
EM	001991100-0008	3/2012
EM	001991100-0009	3/2012
EM	001991100-0010	3/2012
EM	001991126-0001	3/2012
EM	001991126-0002	3/2012
EM	001991126-0003	3/2012
EM	001991126-0004	3/2012
EM	001991126-0005	3/2012
EM	001991126-0006	3/2012
EM	001991126-0007	3/2012
EM	001307631-0003	4/2012
EM	001307631-0004	4/2012

(56)

**References Cited**

FOREIGN PATENT DOCUMENTS		
EM	001307631-0021	4/2012
EM	001307649-0001	4/2012
EM	001307656-0001	4/2012
EM	001307656-0004	4/2012
EM	001307656-0007	4/2012
EM	001307656-0013	4/2012
EP	1536703	9/2006
FR	891209	2/1990
JP	D1273004	4/2006
JP	D1385679	3/2010
JP	D1385674	4/2010
JP	D1385675	4/2010
JP	D1385676	4/2010
JP	D1385677	4/2010
JP	D1409197	3/2011
KR	3003974070000	11/2005
KR	300402970001	7/2006
KR	3005589800000	4/2010
KR	3005838550000	1/2011
KR	3005838560000	1/2011
KR	3006097230000	8/2011

KR	300620302000	11/2011
VN	3-2012-00620	5/2012
VN	3-2012-00621	5/2012
VN	3-2012-00622	5/2012
VN	3-2012-00623	5/2012
VN	3-2012-00624	5/2012
VN	3-2012-00625	5/2012
WO	2008/113420	9/2008
WO	2009/079641	6/2009

**OTHER PUBLICATIONS**

Republic of Vietnam Office Action dated Mar. 12, 2014, in application No. 3-2012-00829, with English translation, 4 pp.  
 Republic of Vietnam Office Action dated Mar. 12, 2014, in application No. 3-2012-00830, with English translation, 4 pp.  
 Design U.S. Appl. No. 29/425,439, filed Jun. 22, 2012, including 3 pages of specification and 24 pages of drawing sheets.  
 U.S. Appl. No. 29/498,167, filed Jul. 31, 2014, Mittersinker, et al.  
 U.S. Appl. No. 29/498,175, filed Jul. 31, 2014, Mittersinker, et al.  
 U.S. Appl. No. 29/479,202, filed Jan. 13, 2014, Abroff, et al.  
 U.S. Appl. No. 29/422,430, filed May 21, 2012, Mittersinker et al.

\* cited by examiner

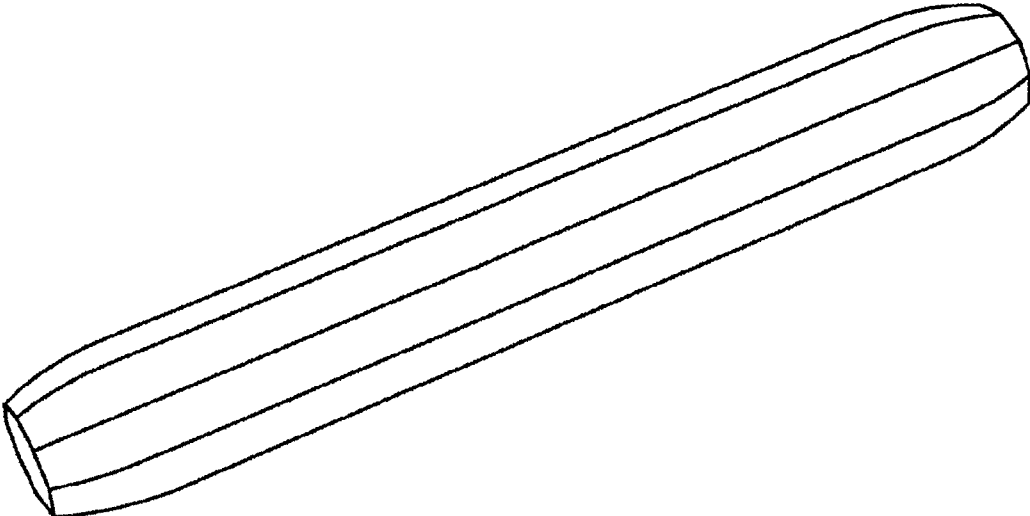


FIG. 1

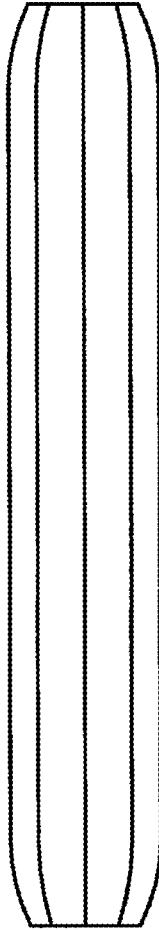


FIG. 2



FIG. 3



FIG. 4



FIG. 5



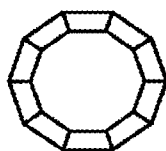


FIG. 6

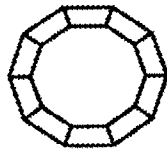


FIG. 7

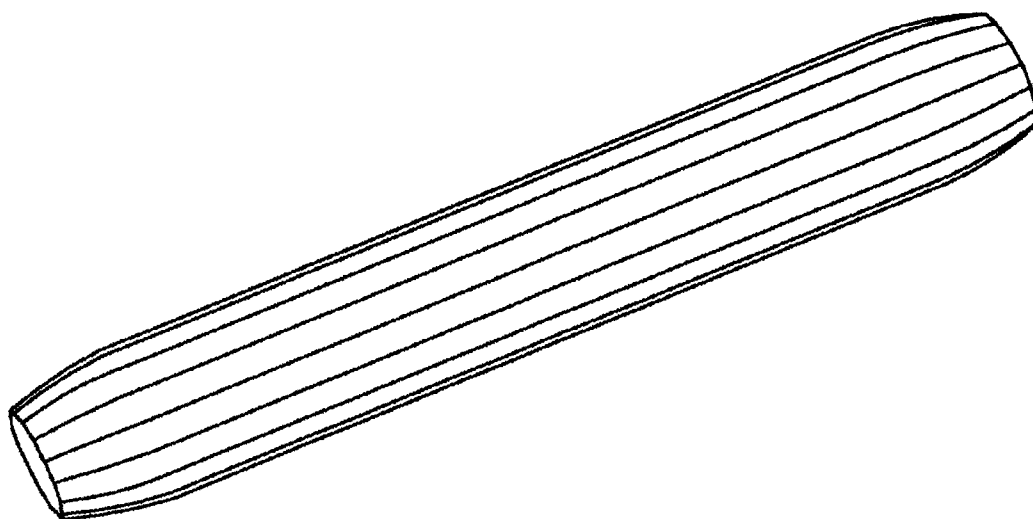


FIG. 8

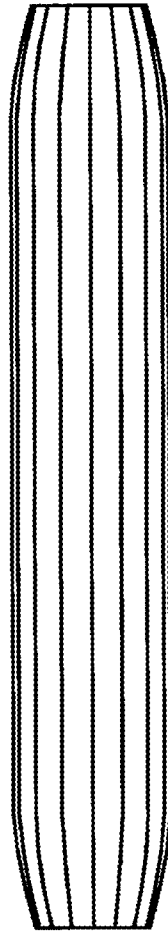


FIG. 9

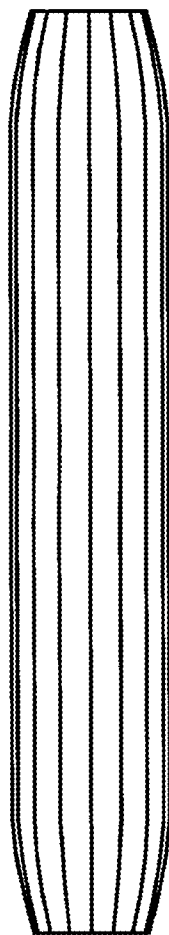


FIG. 10

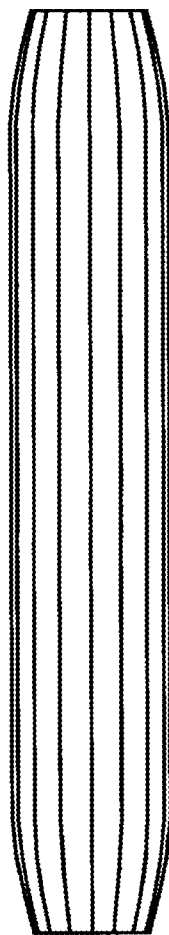


FIG. 11

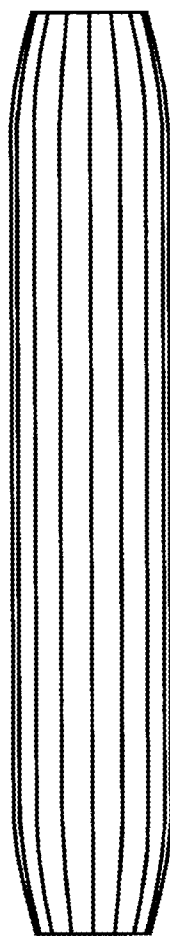


FIG. 12

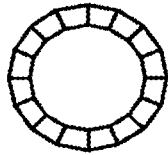


FIG. 13



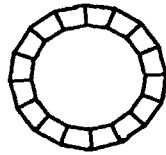


FIG. 14