



US00D775287S

(12) **United States Design Patent** (10) **Patent No.:** **US D775,287 S**
Pawlas (45) **Date of Patent:** **** Dec. 27, 2016**

(54) **MEDICINE BALL**
(71) Applicant: **GProducts LLC**, Louisville, CO (US)
(72) Inventor: **Gary Pawlas**, Louisville, CO (US)
(73) Assignee: **GProducts LLC**, Louisville, CO (US)
(**) Term: **14 Years**
(21) Appl. No.: **29/526,710**

D468,906 S * 1/2003 Rugg D3/257
D472,048 S * 3/2003 Rugg D3/257
D477,961 S * 8/2003 Tung D3/270
D478,240 S * 8/2003 Tung D3/270
D547,948 S * 8/2007 Friedman D3/271.9
D594,703 S * 6/2009 Sax D7/515
D655,910 S * 3/2012 Kao D3/229
D665,607 S * 8/2012 Gehring D6/518
D683,800 S * 6/2013 Ebio D21/662
D712,171 S * 9/2014 Alessandri D6/349
D718,825 S * 12/2014 Ross D21/662
2003/0008736 A1 * 1/2003 Hung A63B 41/08
473/598

(Continued)

(22) Filed: **May 12, 2015**
(51) **LOC (10) Cl.** **21-02**
(52) **U.S. Cl.**

OTHER PUBLICATIONS

Tachikara, "SV5WS Sensi-Tec Composite Volleyball", Webpage found at <http://www.tachikara.com/VolleyballCompetition.BMA/SV5WS.NA> downloaded on Jul. 27, 2015, p. 1 Published in: US.

(Continued)

(58) **Field of Classification Search**
USPC **D21/680**
USPC D21/662, 688, 713, 671, 692, 803, 680, D21/398, 707, 678, 684, 714, 412, 421, D21/413; 482/93, 106, 92, 132, 140, 141, 482/51, 907, 96, 125, 111, 910, 79, 123, 482/121, 112, 148, 909, 91, 122, 131, 482/126, 142, 129, 105, 147, 146, 77, 482/135, 108, 62; D30/160, 117; 446/220, 446/226, 448; 473/596, 576, 598; 601/131, 23; D6/518, 632, 407, 349; D7/515, 901; D3/238, 257, 221, 271.9, D3/289, 270, 217, 229
CPC A63B 23/1236; A63B 21/4035; A63B 2208/12; A63B 21/0552; A63B 21/0557; A63B 23/12; A63B 41/00; A63B 21/0442
See application file for complete search history.

Primary Examiner — Robert M Spear
Assistant Examiner — Ryan Harvey
(74) *Attorney, Agent, or Firm* — Neugeboren O'Dowd PC

(57) **CLAIM**

The ornamental design for a medicine ball, as shown and described.

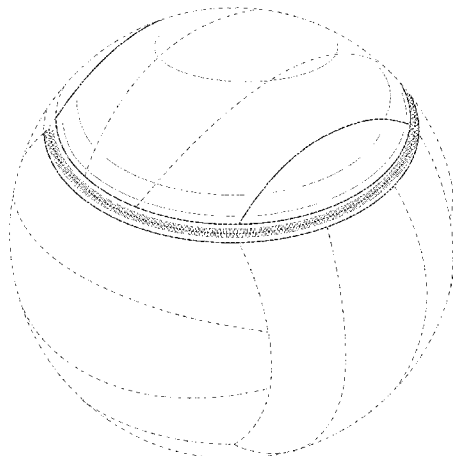
DESCRIPTION

FIG. 1 is a right, top, front perspective view of a medicine ball showing my new design; FIG. 2 is a top plan view of the medicine ball of FIG. 1; FIG. 3 is a front elevation view of the medicine ball of FIG. 1; FIG. 4 is a rear elevation view of the medicine ball of FIG. 1; and, FIG. 5 is a right side elevation view of the medicine ball of FIG. 1; the left side elevation being a mirror image of the right side. The broken line showing portions of the medicine ball depicts environment and forms no part of the claim.

1 Claim, 5 Drawing Sheets

(56) **References Cited**
U.S. PATENT DOCUMENTS

D318,567 S * 7/1991 Smith D21/713
D375,626 S * 11/1996 Eaton D3/257
D384,199 S * 9/1997 Dixon D3/217
5,735,776 A * 4/1998 Swezey A63B 21/0085
473/596
D417,074 S * 11/1999 Rugg D3/221
D437,482 S * 2/2001 Rugg D3/257
D445,155 S * 7/2001 Lee D21/713
D467,729 S * 12/2002 Vazquez D3/238



(56)

References Cited

U.S. PATENT DOCUMENTS

2012/0157270 A1* 6/2012 Johnson A63B 21/075
482/93

OTHER PUBLICATIONS

UGI Fitness, "The Ugi Ball", Webpage found at <http://www.ugifit.com/en/what-ugi/ugi-ball> downloaded on Jul. 27, 2015, p. 2 Published in: US.

* cited by examiner

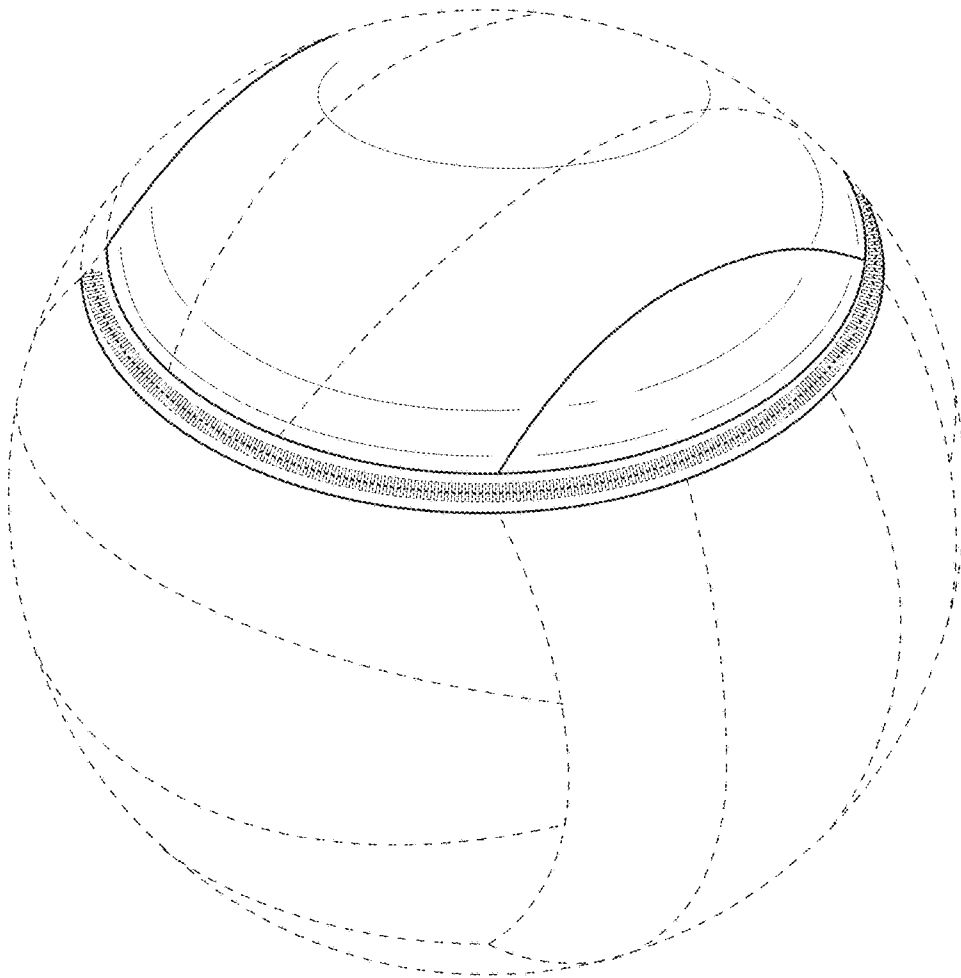


FIG. 1

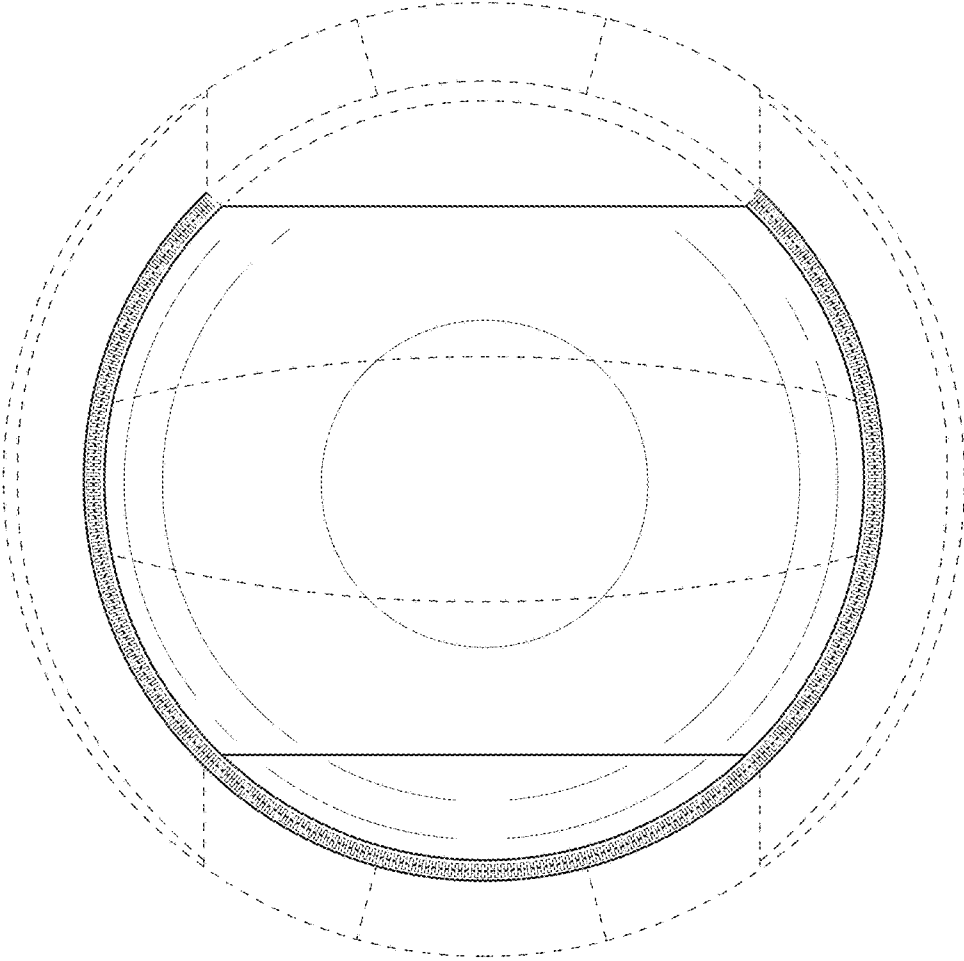


FIG. 2

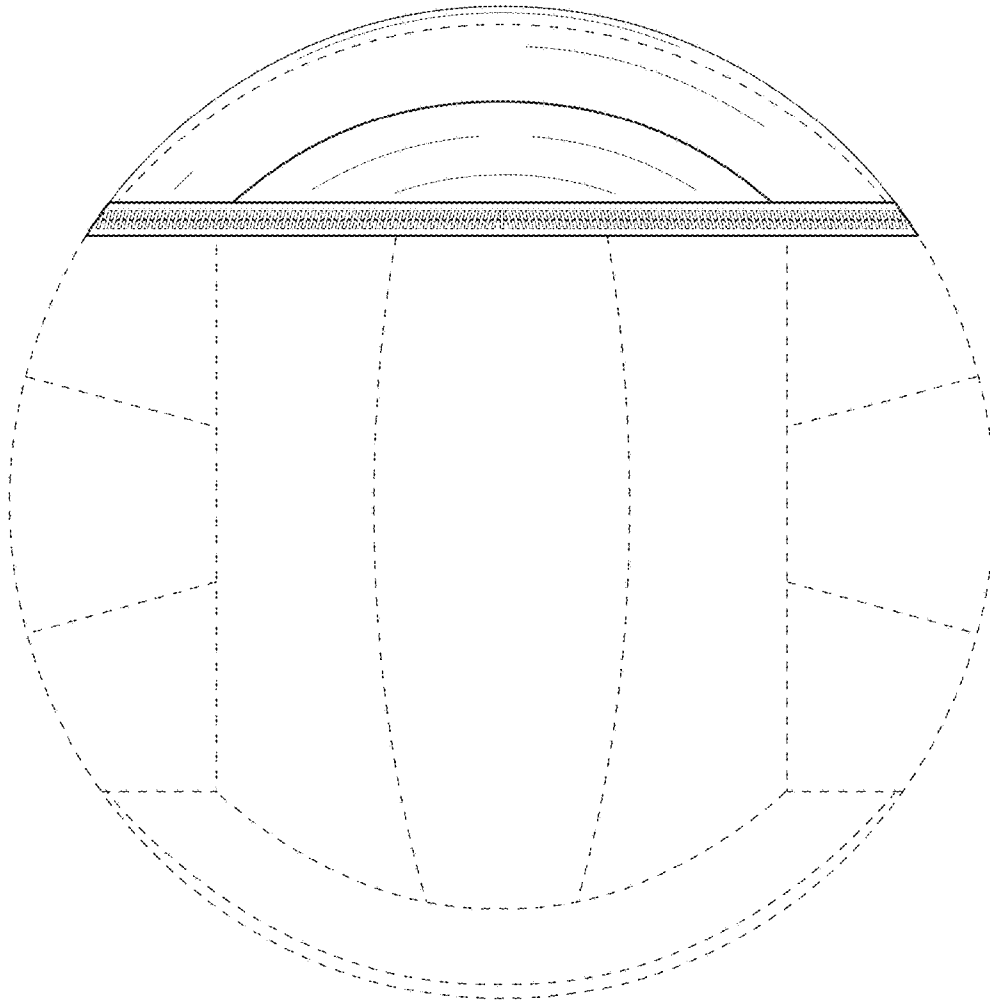


FIG. 3

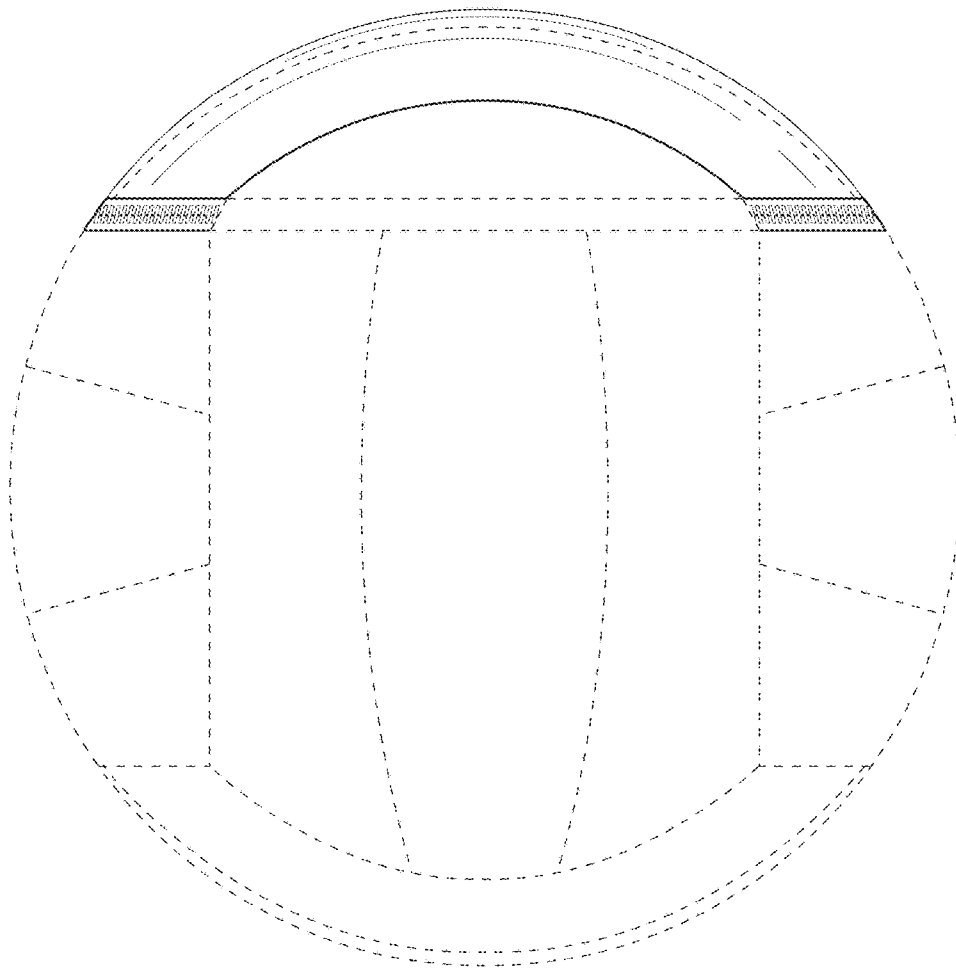


FIG. 4

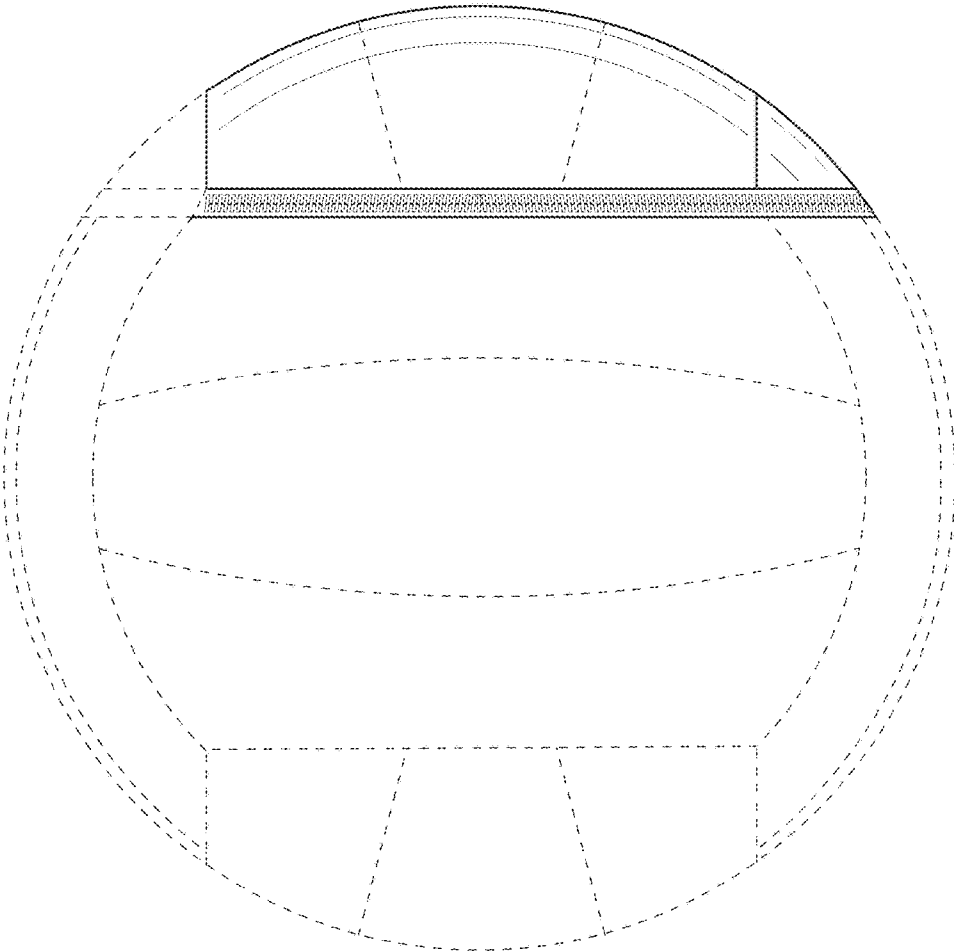


FIG. 5