



US00D795158S

(12) **United States Design Patent**
Gan

(10) **Patent No.:** **US D795,158 S**

(45) **Date of Patent:** **** Aug. 22, 2017**

(54) **SUBMARINE**

(71) Applicant: **MerchSource, LLC**, Irvine, CA (US)

(72) Inventor: **Chon Seong Gan**, Irvine, CA (US)

(73) Assignee: **MerchSource, LLC**, Irvine, CA (US)

(**) Term: **15 Years**

(21) Appl. No.: **29/544,974**

(22) Filed: **Nov. 9, 2015**

(51) **LOC (10) Cl.** **12-06**

(52) **U.S. Cl.**
USPC **D12/308**

(58) **Field of Classification Search**
USPC D12/300, 308, 317; D21/545
CPC B63G 8/001; B63G 8/002
See application file for complete search history.

(56) **References Cited**

U.S. PATENT DOCUMENTS

2,903,822	A	9/1959	Reid	
3,010,255	A	11/1961	Gordon	
3,091,895	A	6/1963	Stopek	
3,181,272	A	5/1965	Gibson	
D205,812	S *	9/1966	Ulbrich	D12/308
D219,892	S *	2/1971	Martine	D12/308
D221,261	S *	7/1971	Tallarico	D12/308
3,722,452	A *	3/1973	Wynn, Jr.	B63G 8/42 114/244
D239,613	S *	4/1976	Askeborn	D12/308

4,270,307	A	6/1981	Arigaya	
D304,923	S *	12/1989	Pado	D12/308
D326,692	S *	6/1992	Taylor	D21/545
D416,225	S *	11/1999	Robinson	D12/308
5,995,882	A *	11/1999	Patterson	B63C 11/42 114/312
D447,109	S *	8/2001	Paoli	D12/308
D677,211	S *	3/2013	Tavares	D12/308
D733,634	S *	7/2015	De Camargo Aranha ...	D12/308

* cited by examiner

Primary Examiner — Cynthia M Chin

(74) *Attorney, Agent, or Firm* — Avyno Law P.C.

(57) **CLAIM**

I claim the ornamental design for a submarine, as shown and described.

DESCRIPTION

FIG. 1 is a perspective view of a submarine.
 FIG. 2 is a side view of the left side of the submarine of FIG. 1.
 FIG. 3 is a side view of the right side of the submarine of FIG. 1.
 FIG. 4 is a top view of the submarine of FIG. 1.
 FIG. 5 is a bottom view of the submarine of FIG. 1.
 FIG. 6 is a rear view of the submarine of FIG. 1; and,
 FIG. 7 is a front view of the submarine of FIG. 1.
 The broken lines shown are included for the purpose of illustrating portions of the article which form no part of the claimed design.

1 Claim, 6 Drawing Sheets

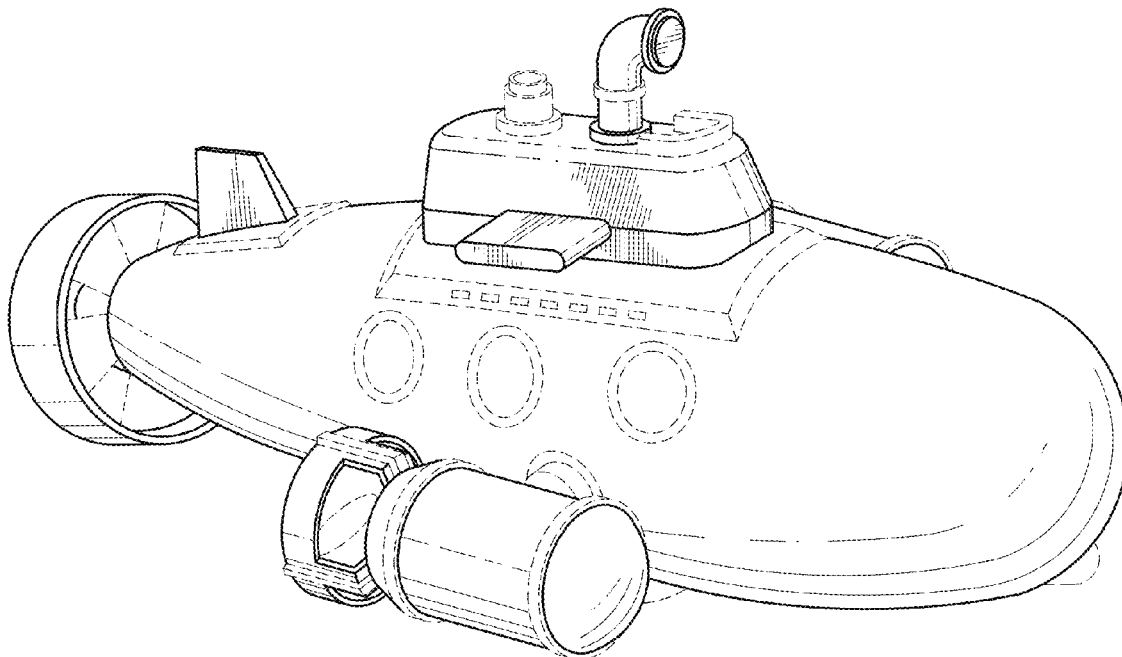
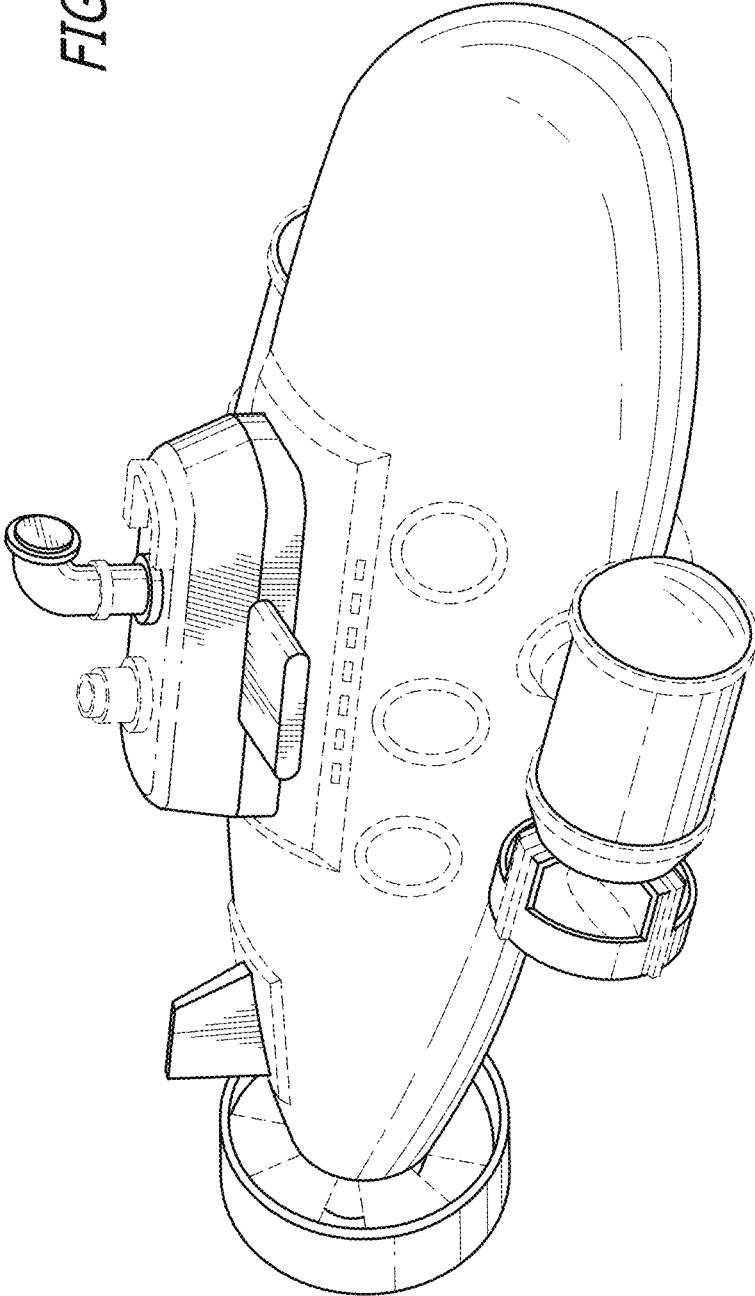


FIG. 1



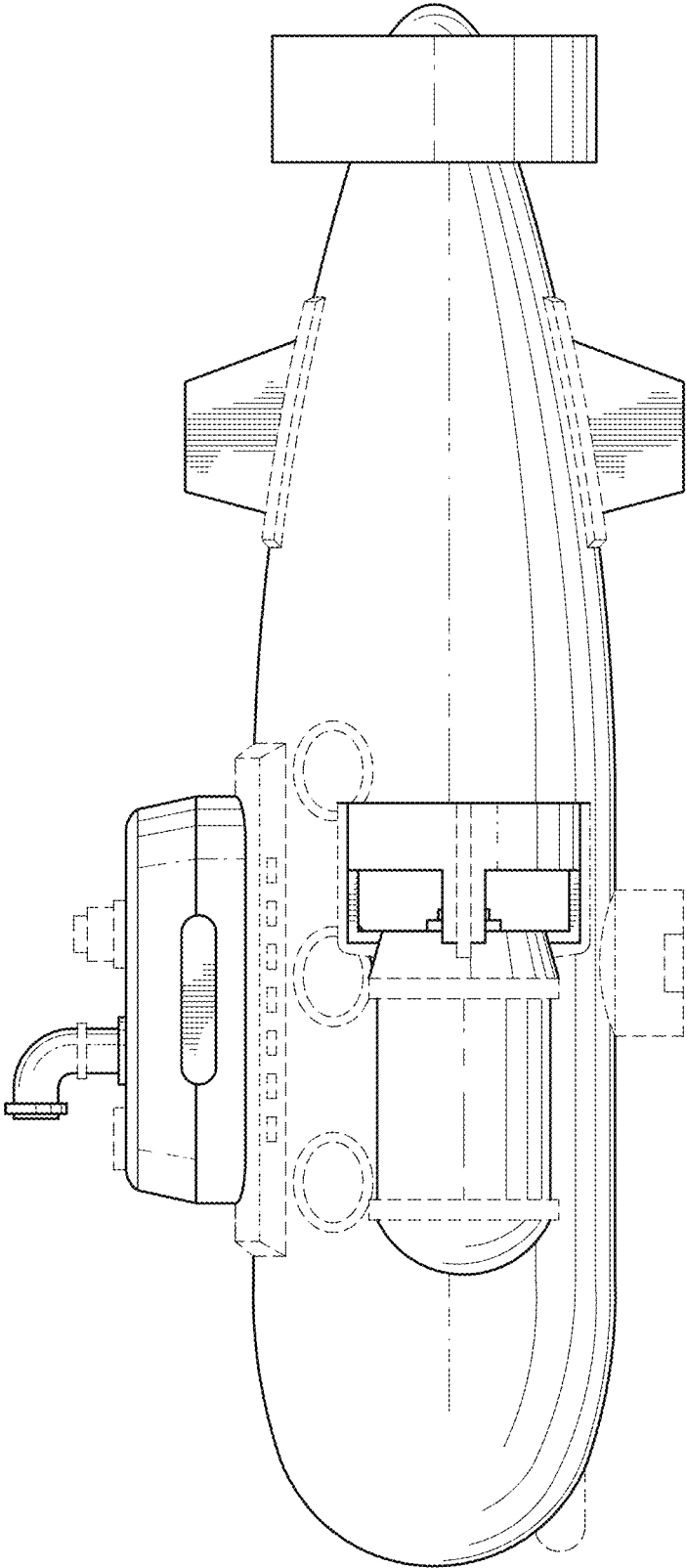


FIG. 2

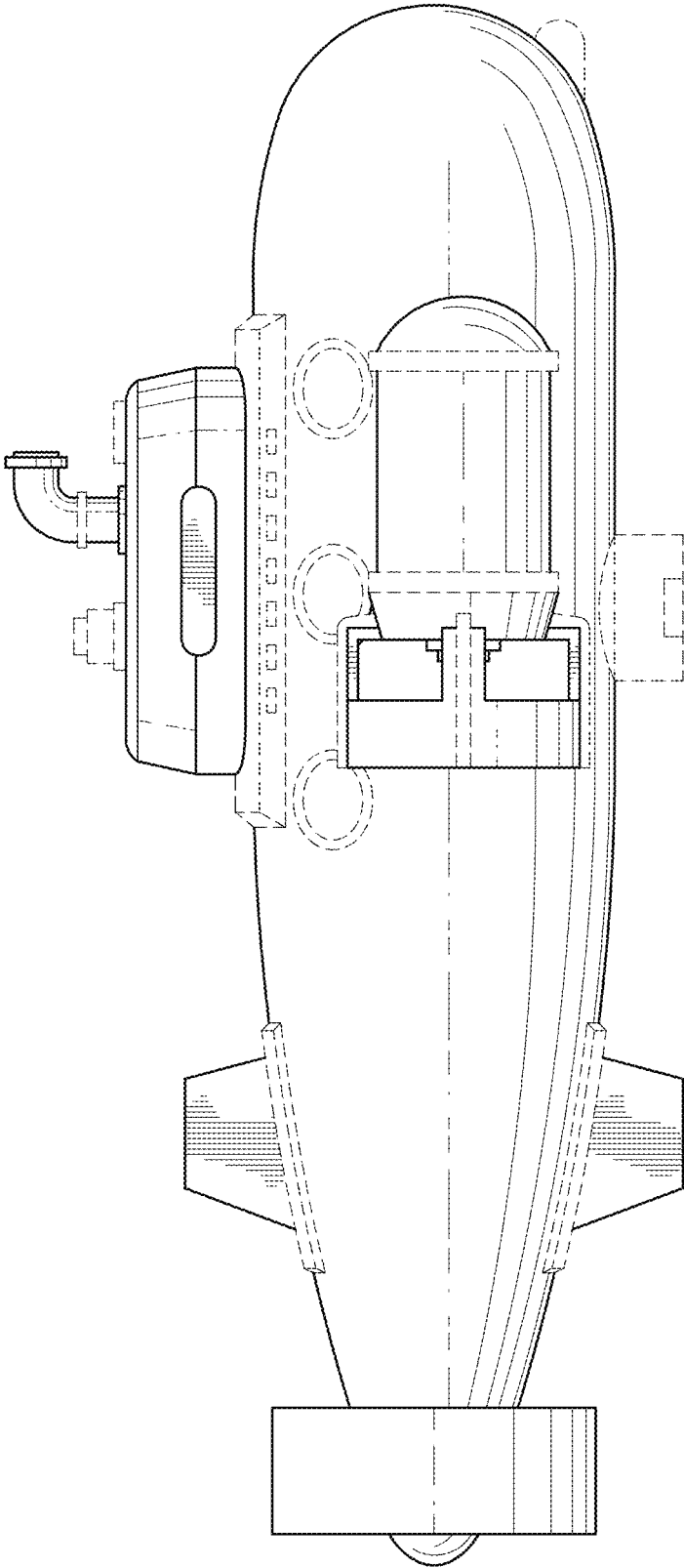


FIG. 3

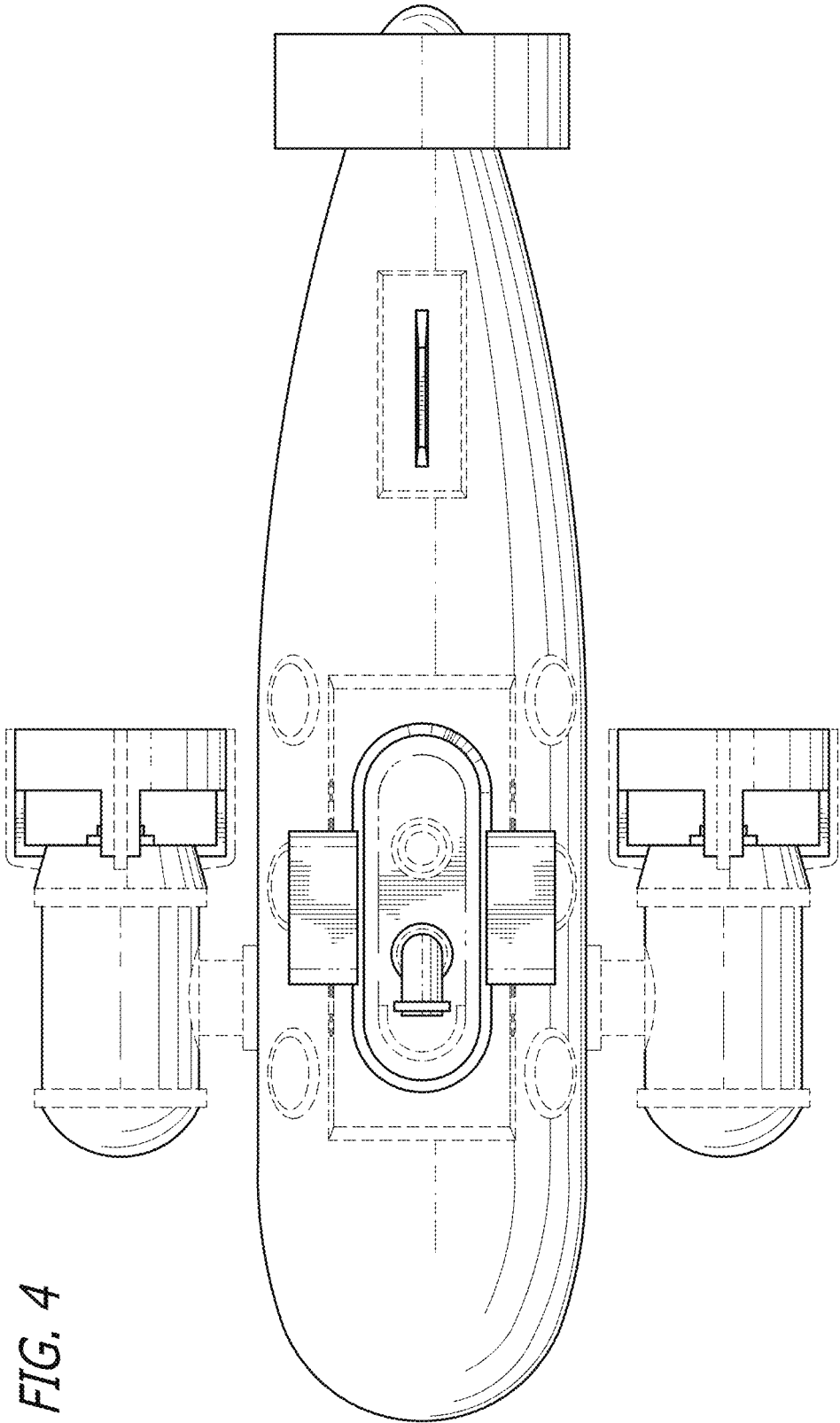


FIG. 4

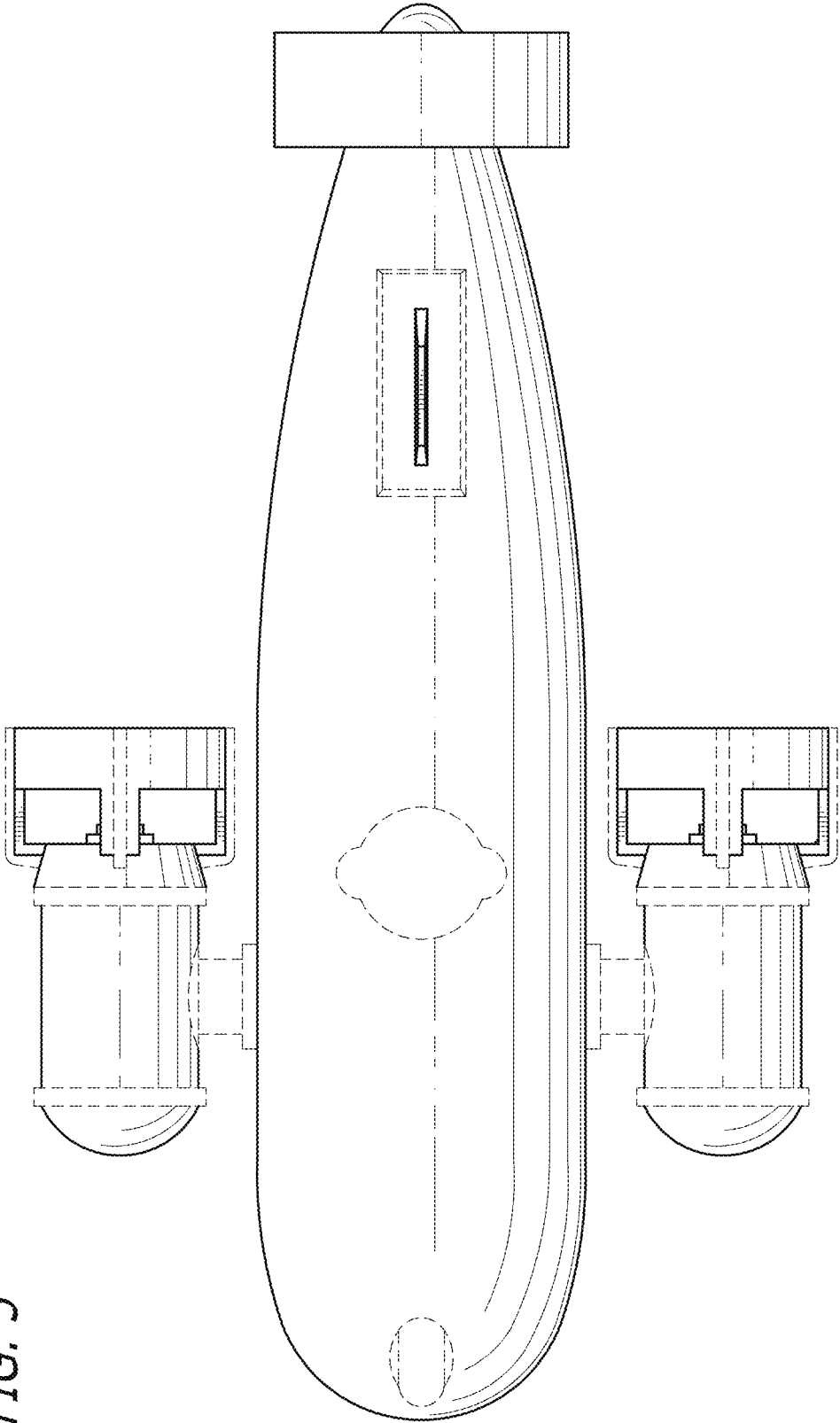


FIG. 5

FIG. 6

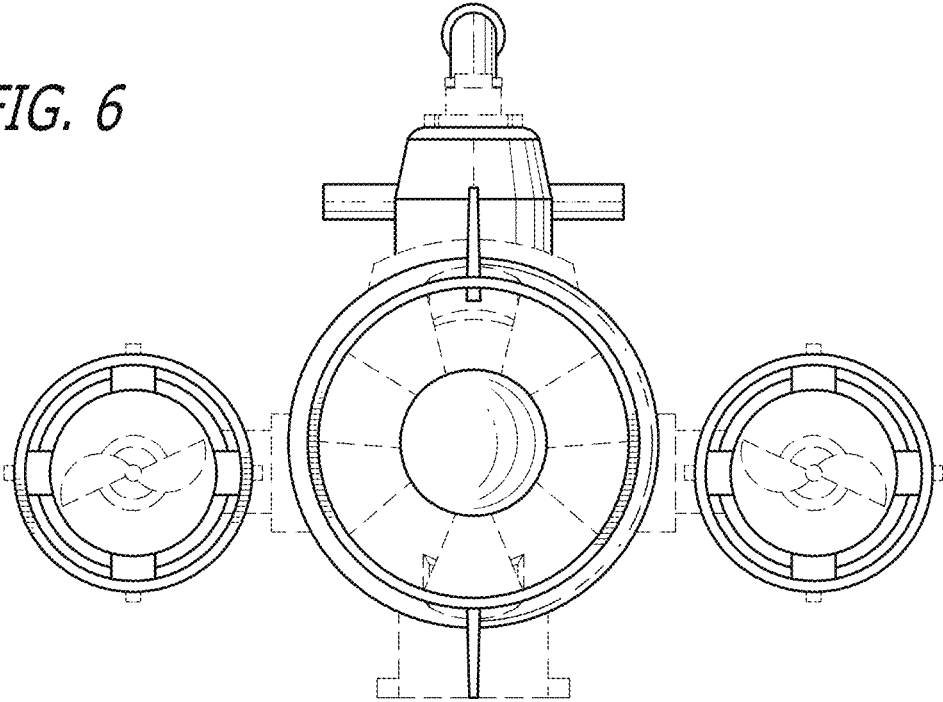


FIG. 7

