



US00D830785S

(12) **United States Design Patent**
Agli

(10) **Patent No.:** **US D830,785 S**

(45) **Date of Patent:** **** Oct. 16, 2018**

(54) **BEVERAGE HOLDER**

(71) Applicant: **Jeffrey Bryant Agli**, Hamden, CT (US)

(72) Inventor: **Jeffrey Bryant Agli**, Hamden, CT (US)

(**) Term: **15 Years**

(21) Appl. No.: **29/612,857**

(22) Filed: **Aug. 4, 2017**

(51) **LOC (11) Cl.** **07-06**

(52) **U.S. Cl.**
USPC **D7/620**

(58) **Field of Classification Search**
USPC D7/523, 532, 601, 605-608, 615, 620,
D7/624.2, 625; D6/531-534;
D3/304-314; D9/444, 501-504, 574,
D9/575, 779
CPC F25D 3/08; B65D 25/20; B65D 25/22;
B65D 25/30; B65D 7/24; B65D 81/3876;
B65D 81/3879; B65D 23/104; B65D
81/38; B65D 81/3886; B65D 81/3883;
B65D 81/3881; B65D 83/00; B65D 1/42;
B65D 8/00; B65D 15/02; A45C 11/00;
A45C 11/20; A47G 23/0216; A47G
23/0266; A47G 19/2288; A47G 23/0241;
A47G 2023/0291; A45F 2200/0583; A45F
3/14; A61F 7/10; B31D 5/0086; A47J
41/02; A47J 41/0077; A47K 1/08
See application file for complete search history.

5,007,566 A * 4/1991 Fick B62J 11/00
224/414
D423,299 S * 4/2000 Burrus D7/607
6,059,140 A * 5/2000 Hicks B65D 81/3879
220/6
D589,758 S * 4/2009 Mancha D7/607
D596,465 S * 7/2009 Faulkner D7/607
7,677,407 B2 * 3/2010 Davis A47G 23/0225
220/478
2002/0104845 A1 * 8/2002 Beuke B65D 81/3876
220/739
2002/0179617 A1 * 12/2002 Barthlow A47G 23/0216
220/739
2005/0056655 A1 * 3/2005 Gary A47G 19/2261
220/737

(Continued)

Primary Examiner — Freda S Nunn
(74) *Attorney, Agent, or Firm* — St. Onge Steward
Johnston & Reens, LLC

(57) **CLAIM**

The ornamental design for a beverage holder, as shown and described.

DESCRIPTION

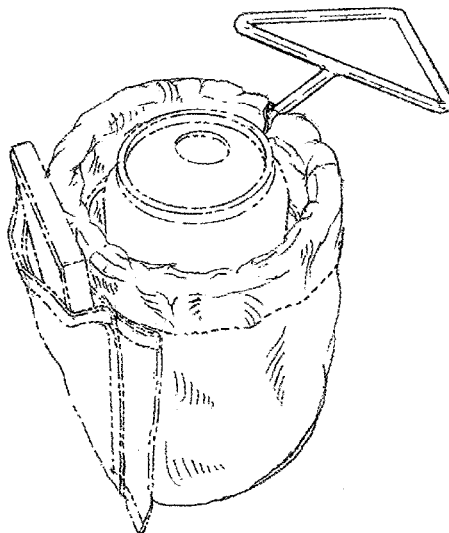
FIG. 1 is a front isometric view of a beverage holder in an exemplary environment thereof;
FIG. 2 is a top isometric view of the beverage holder of FIG. 1 with items held in pockets thereof;
FIG. 3 is a top isometric view of the beverage holder of FIG. 1;
FIG. 4 is a top view thereof;
FIG. 5 is a bottom view thereof;
FIG. 6 is a left side view thereof;
FIG. 7 is a right side view thereof;
FIG. 8 is a rear view thereof; and
FIG. 9 is a front view thereof.
The broken lines shown in the figures show environmental structure or features that form no part of the claimed design.

1 Claim, 5 Drawing Sheets

(56) **References Cited**

U.S. PATENT DOCUMENTS

4,282,279 A * 8/1981 Strickland B65D 25/34
150/901
4,401,245 A * 8/1983 Zills B65D 81/3886
215/12.1
4,838,466 A * 6/1989 Holmstrom A45F 3/16
220/379



(56)

References Cited

U.S. PATENT DOCUMENTS

2008/0017654 A1* 1/2008 Chu B65D 81/3886
220/739
2008/0251552 A1* 10/2008 Bell A45F 3/16
224/250
2013/0213986 A1* 8/2013 Couvelier B65D 25/22
220/737

* cited by examiner

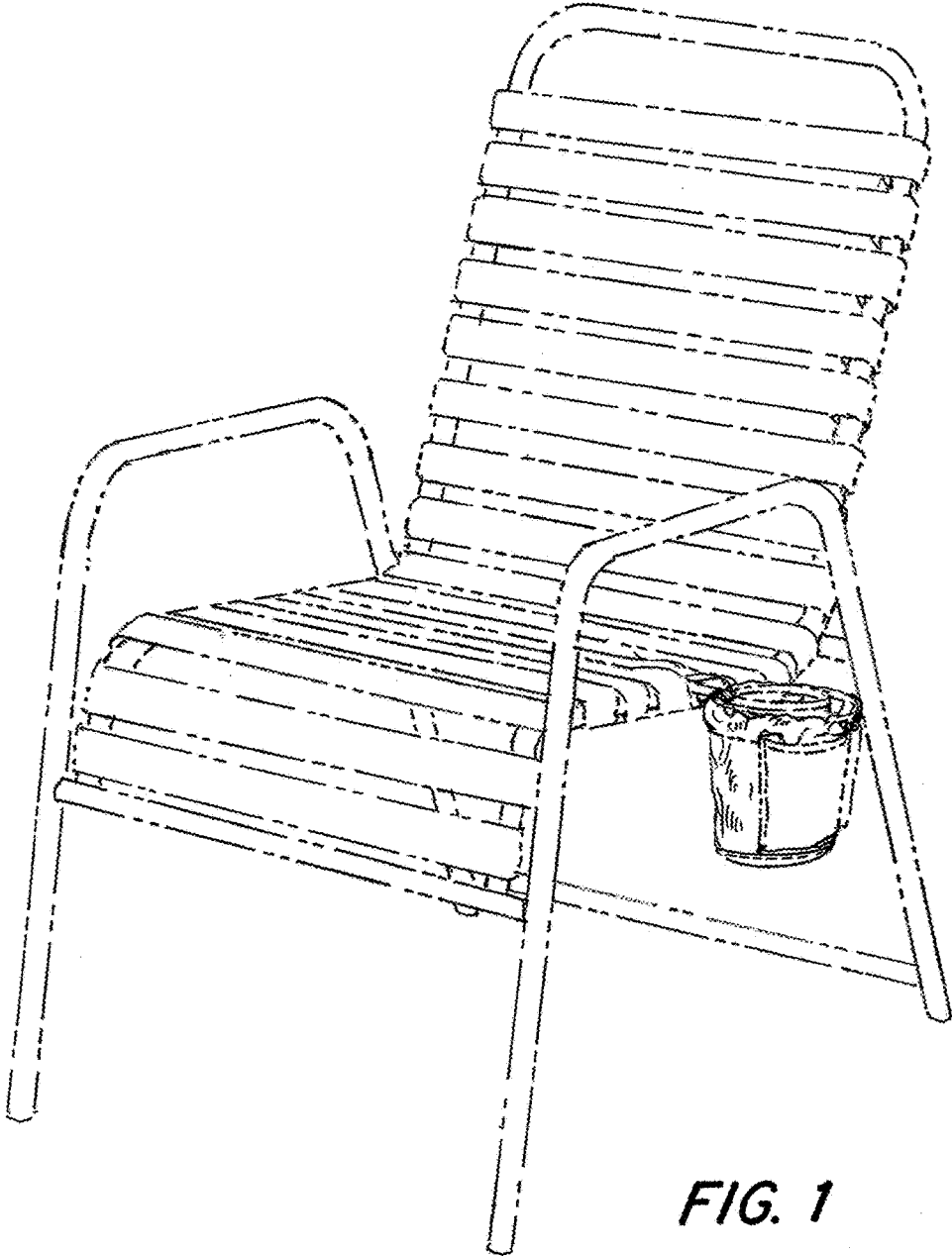


FIG. 1

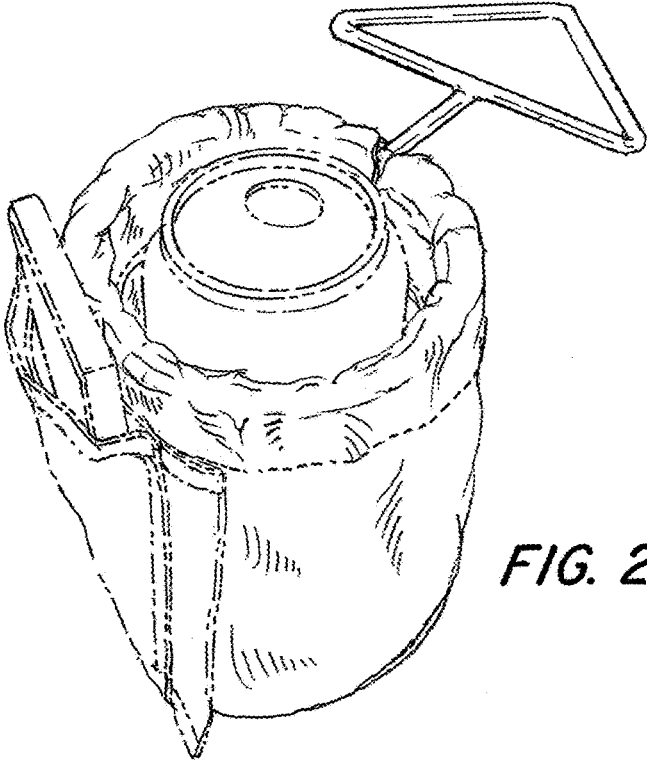


FIG. 2

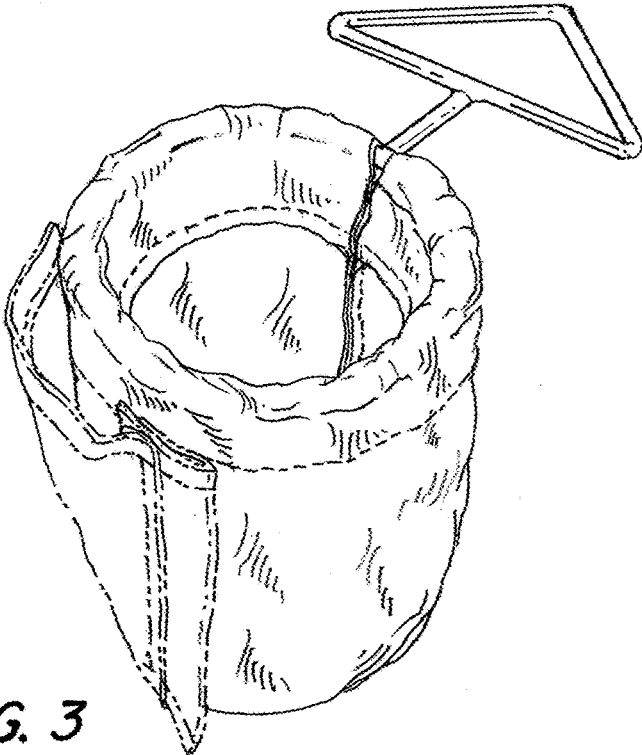


FIG. 3

FIG. 4

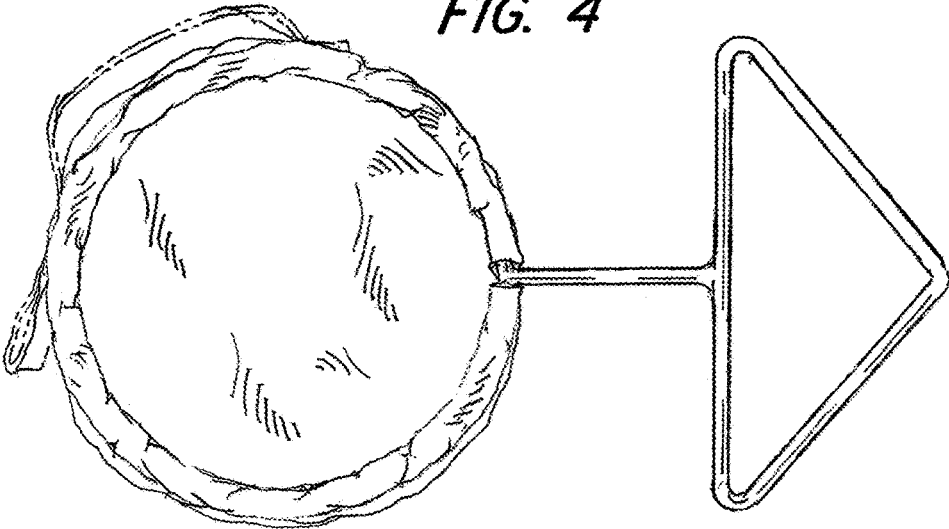
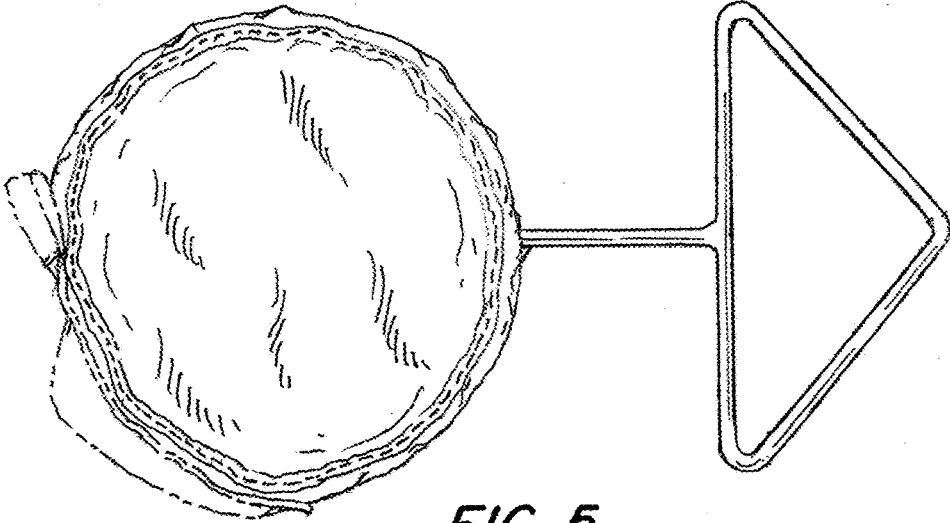


FIG. 5



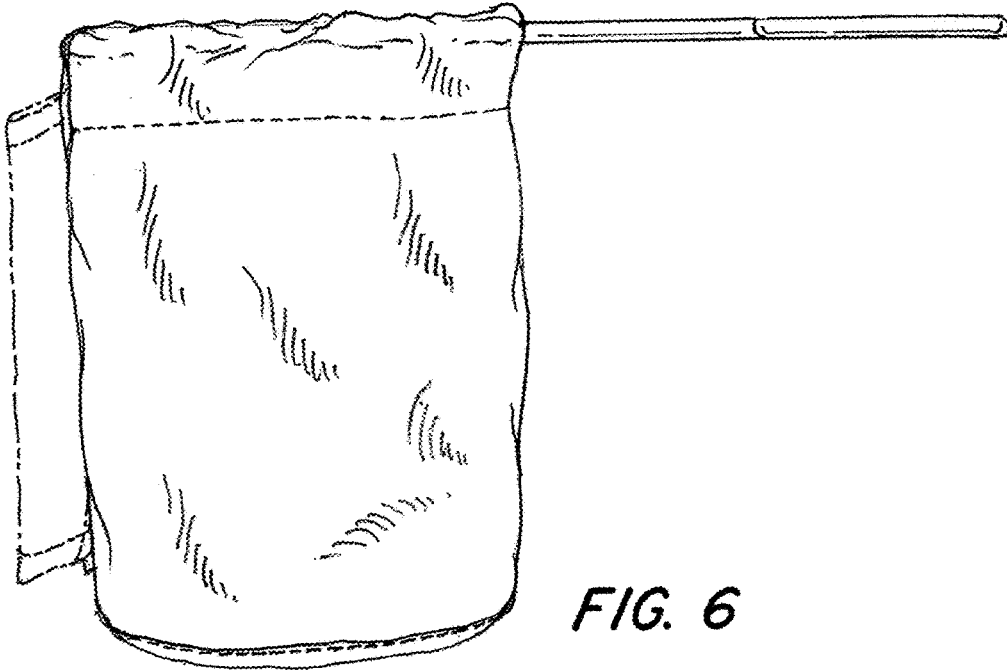


FIG. 6

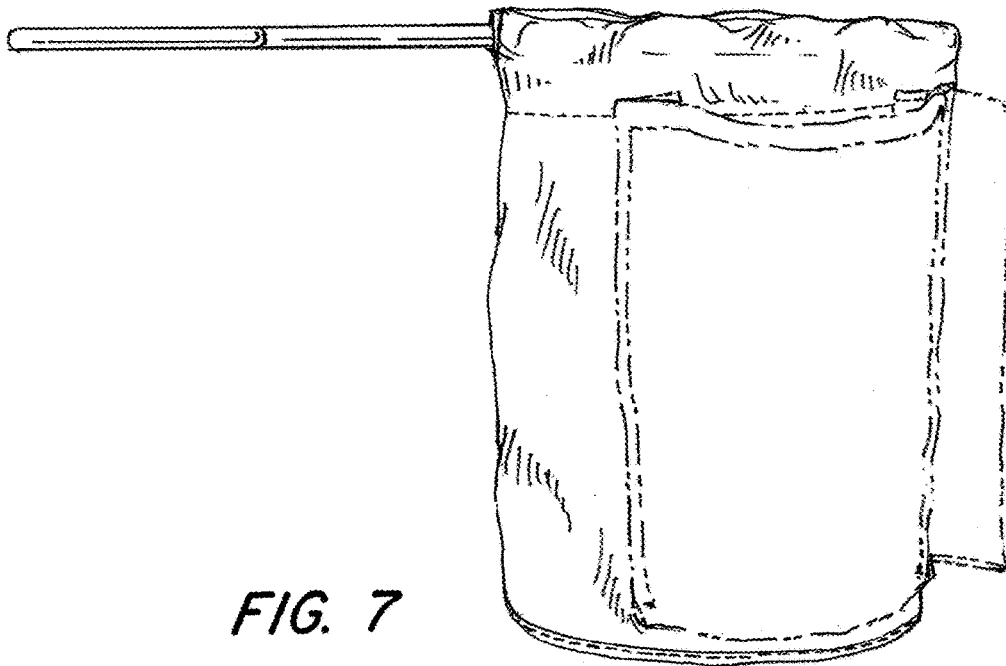


FIG. 7

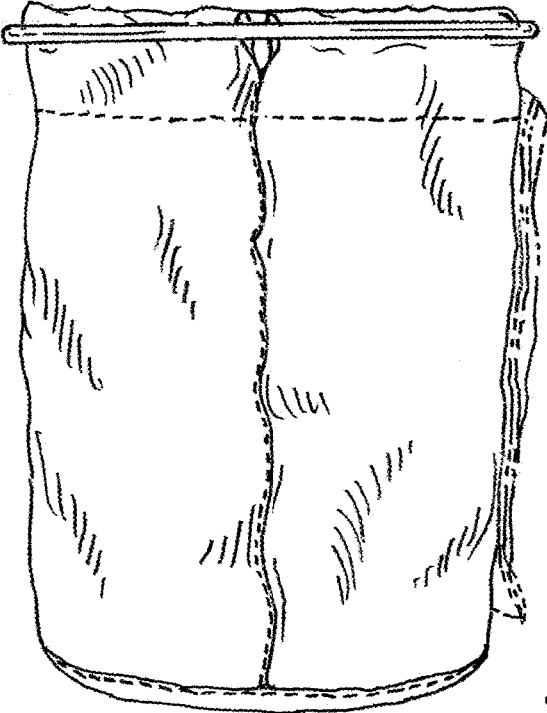


FIG. 8

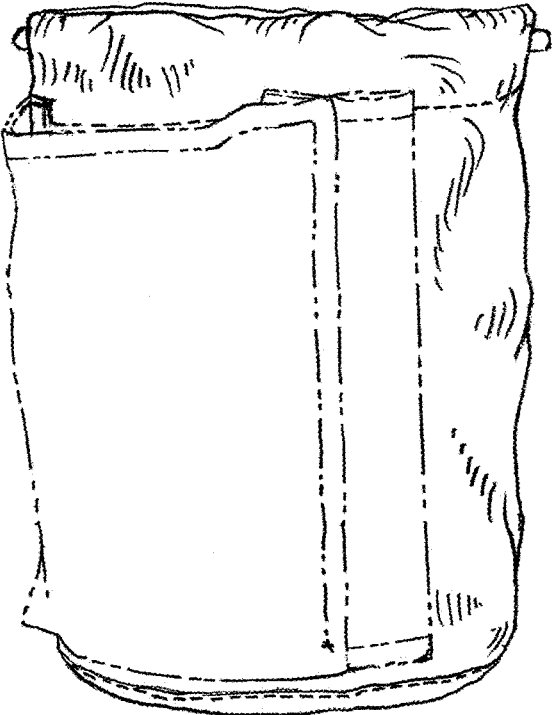


FIG. 9