



US00D543732S

(12) **United States Design Patent**  
**Alter Molina**

(10) **Patent No.:** **US D543,732 S**

(45) **Date of Patent:** **\*\* Jun. 5, 2007**

(54) **TABLES**

(75) Inventor: **Lievore Alter Molina**, Barcelona (ES)

(73) Assignee: **Arper S.p.A.**, Monastier di Treviso (IT)

(\*\*) Term: **14 Years**

(21) Appl. No.: **29/216,827**

(22) Filed: **Nov. 9, 2004**

(30) **Foreign Application Priority Data**

May 14, 2004 (EM) ..... 000183918

(51) **LOC (8) Cl.** ..... **06-03**

(52) **U.S. Cl.** ..... **D6/486**

(58) **Field of Classification Search** ..... D6/480-489,  
D6/495-499, 429, 511, 491, 477; 108/150,  
108/153.1, 155, 156, 161; 248/188, 188.1,  
248/188.7, 188.8

See application file for complete search history.

(56) **References Cited**

**U.S. PATENT DOCUMENTS**

- D164,295 S \* 8/1951 Gierlich ..... D6/429
- D218,422 S \* 8/1970 Crandall ..... D6/495
- D363,399 S \* 10/1995 Wong ..... D6/486
- D436,270 S \* 1/2001 Kane ..... D6/486

D447,893 S \* 9/2001 Simonelli et al. .... D6/486

\* cited by examiner

*Primary Examiner*—Janice E. Seeger

(74) *Attorney, Agent, or Firm*—Scully, Scott, Murphy & Presser, P.C.

(57) **CLAIM**

The ornamental design for the “tables”, as shown and described.

**DESCRIPTION**

FIG. 1 is a perspective view of the table, showing my new design;

FIG. 2 is a front view thereof;

FIG. 3 is a rear view thereof;

FIG. 4 is a left side view thereof;

FIG. 5 is a right side view thereof;

FIG. 6 is a top view thereof;

FIG. 7 is a bottom view thereof;

FIG. 8 is a perspective view of a second embodiment of the table, according to the invention;

FIG. 9 is a front view thereof;

FIG. 10 is a rear view thereof;

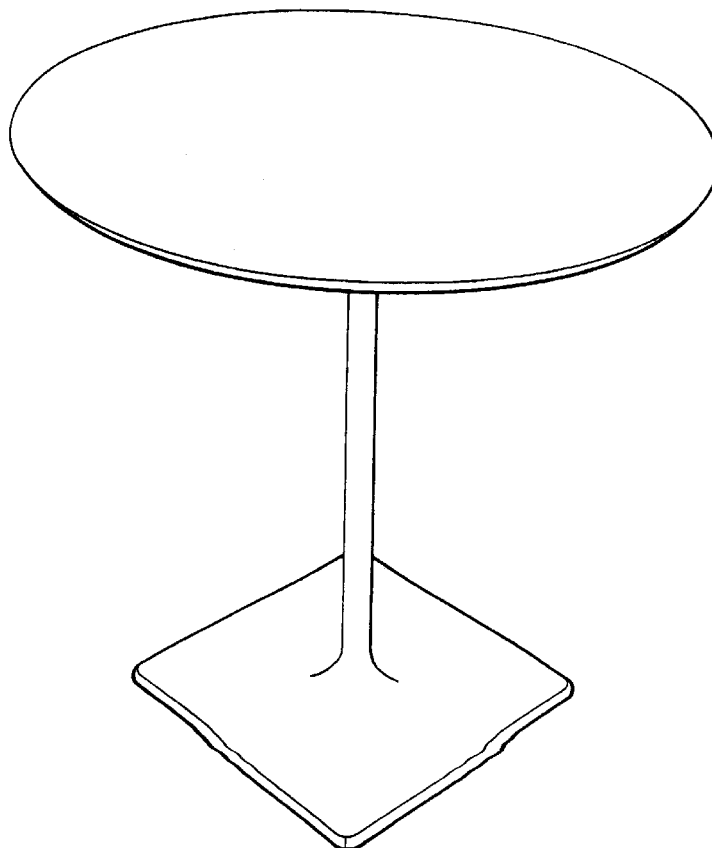
FIG. 11 is a left side view thereof;

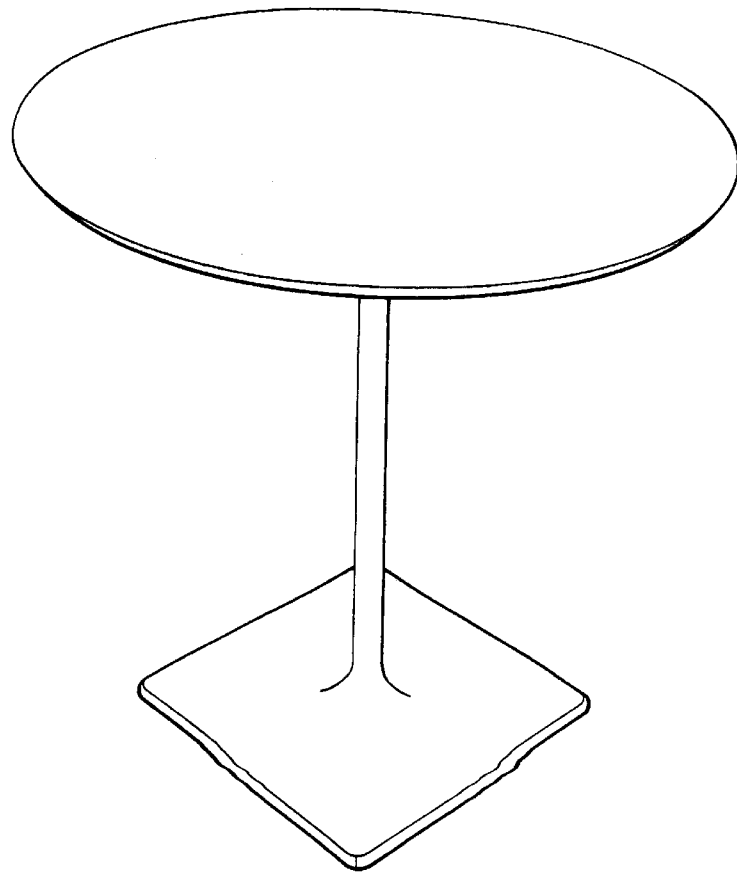
FIG. 12 is a right side view thereof;

FIG. 13 is a top view thereof; and,

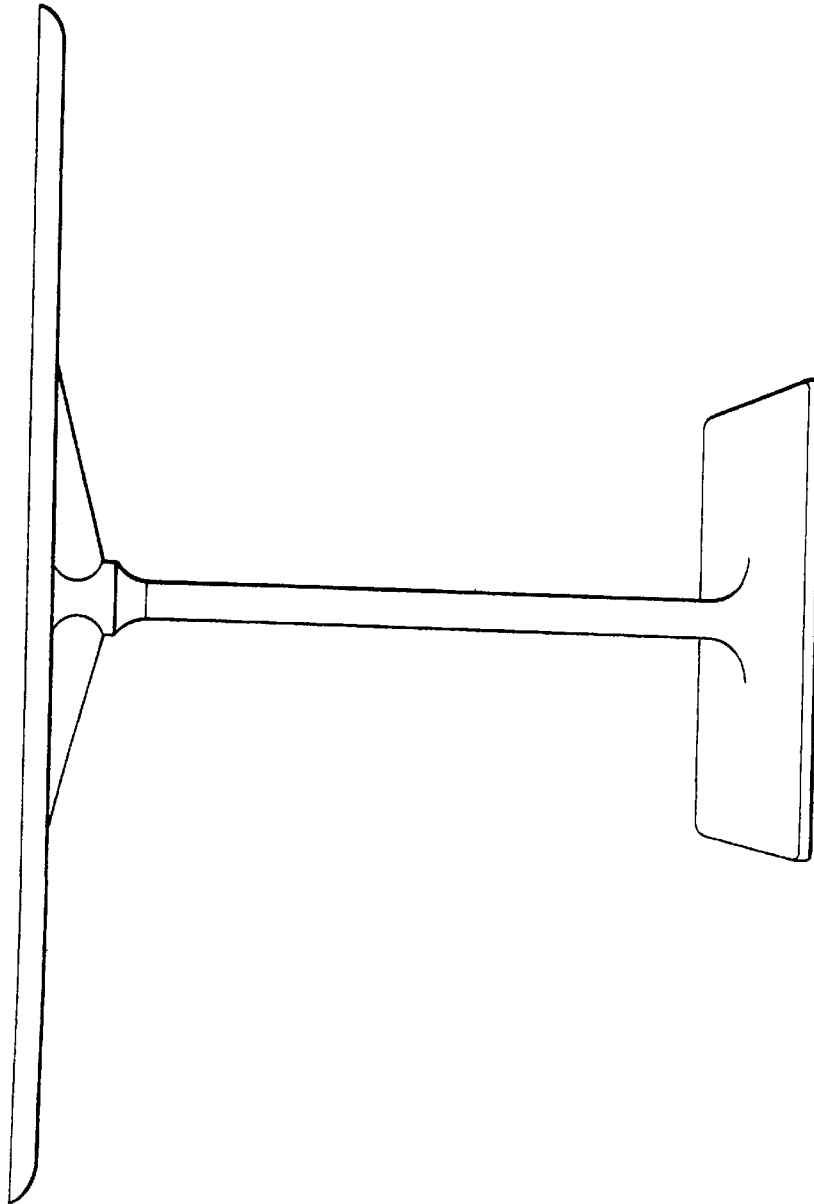
FIG. 14 is a bottom view thereof.

**1 Claim, 14 Drawing Sheets**

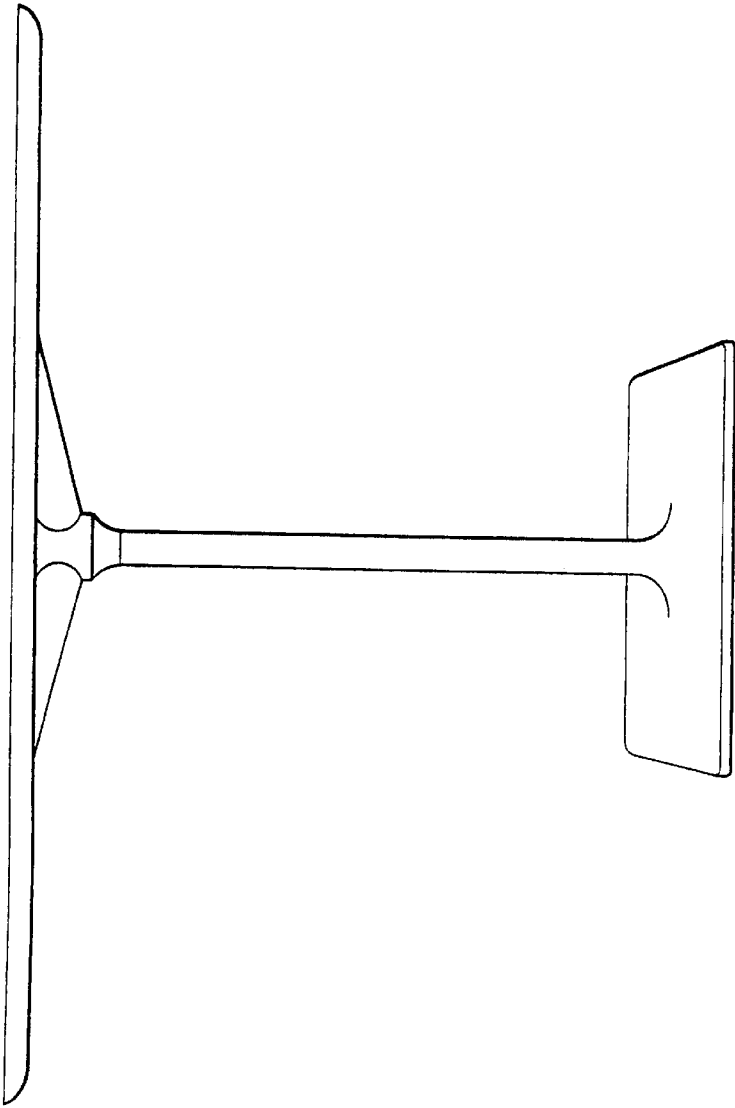




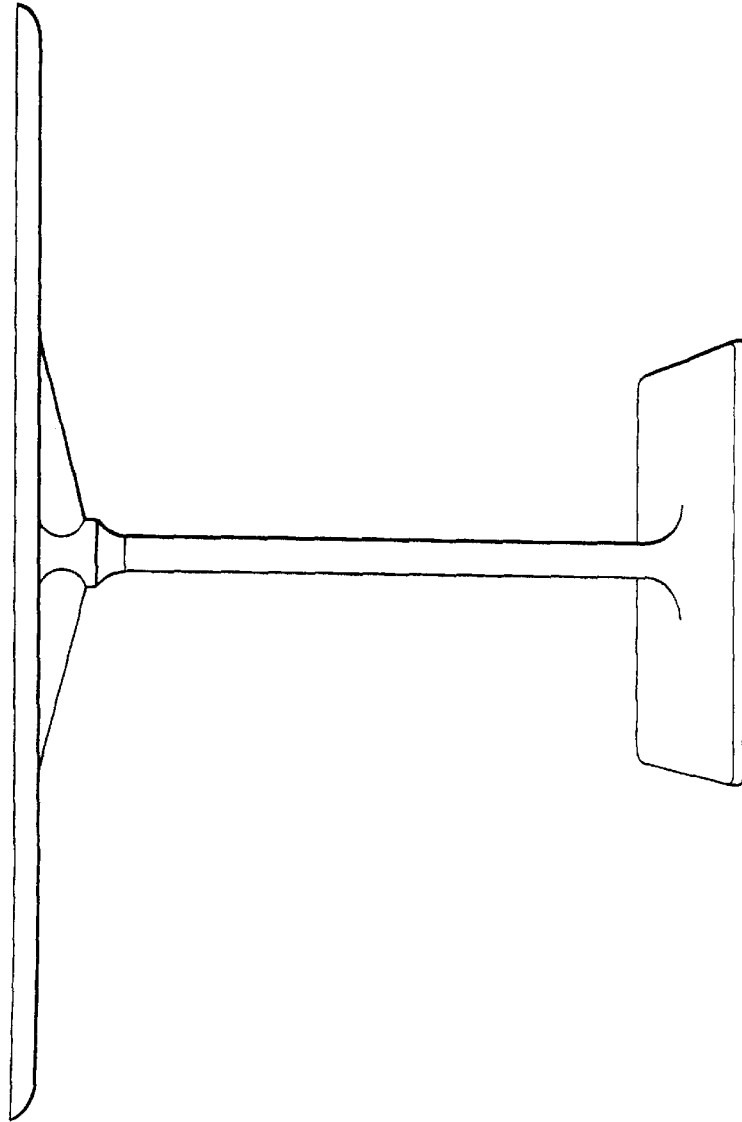
*Fig. 1*



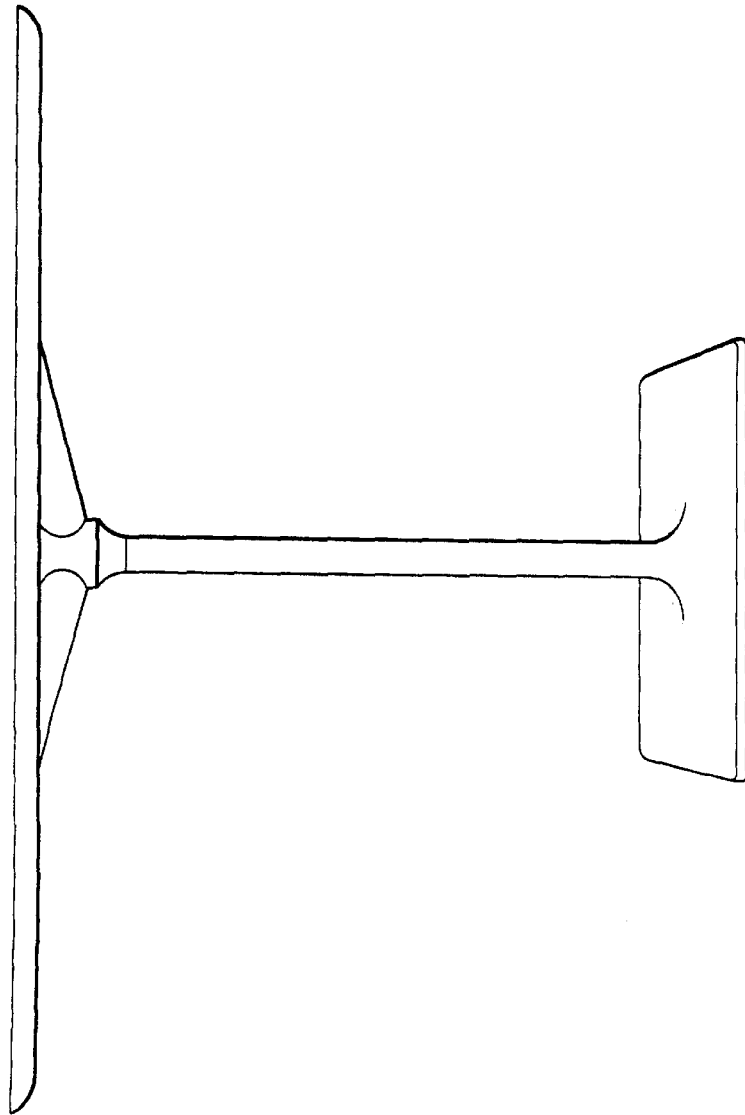
*Fig. 2*



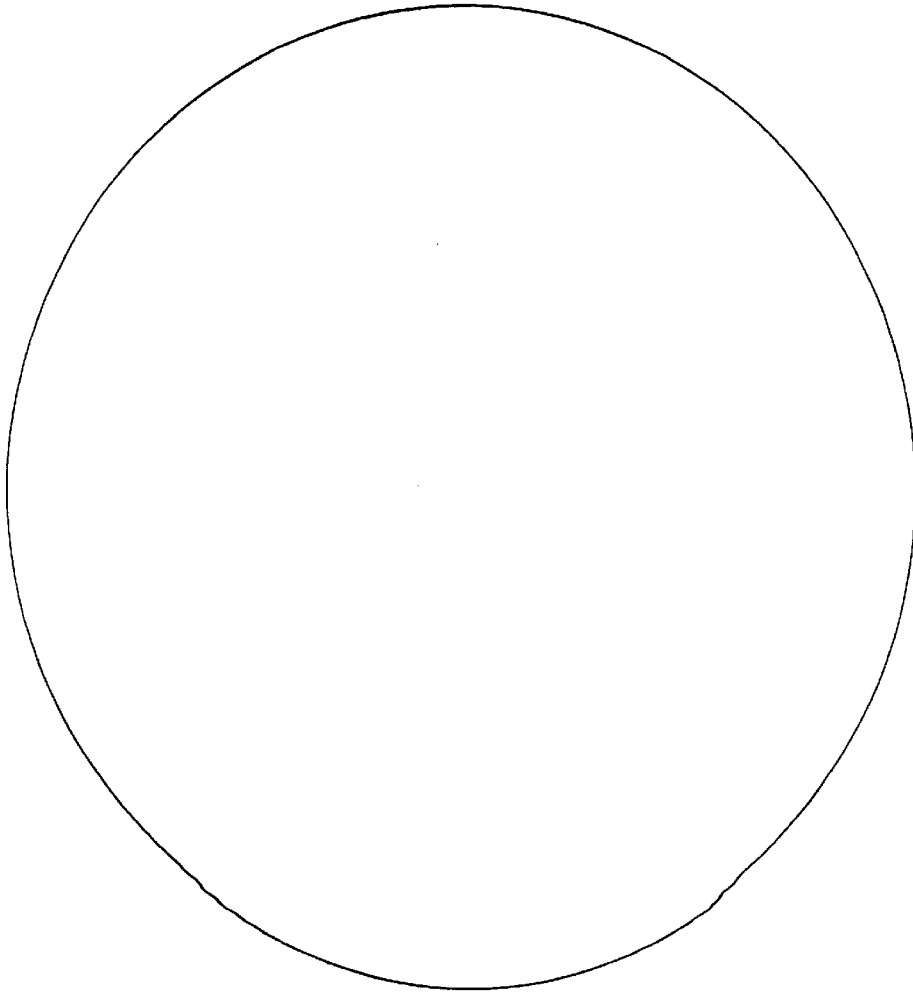
*Fig. 3*



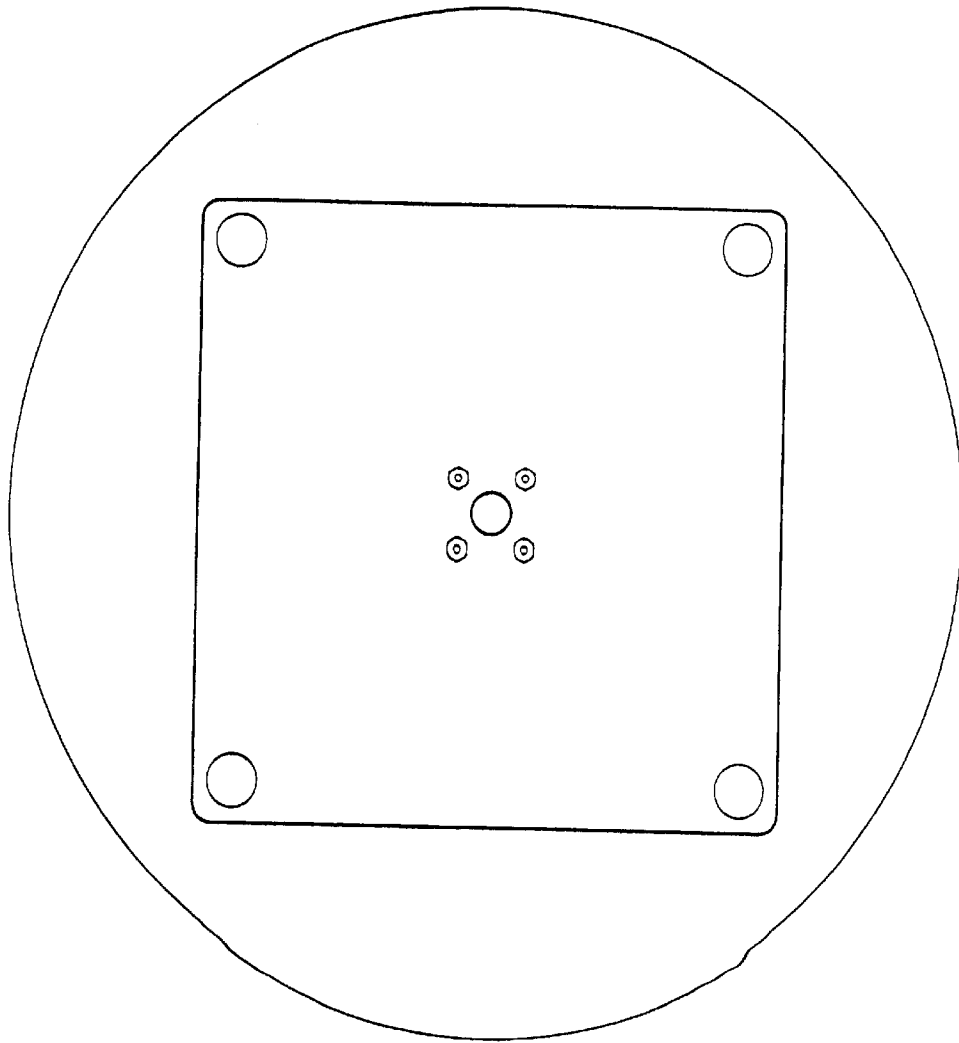
*FIG. 4*



*Fig. 5*

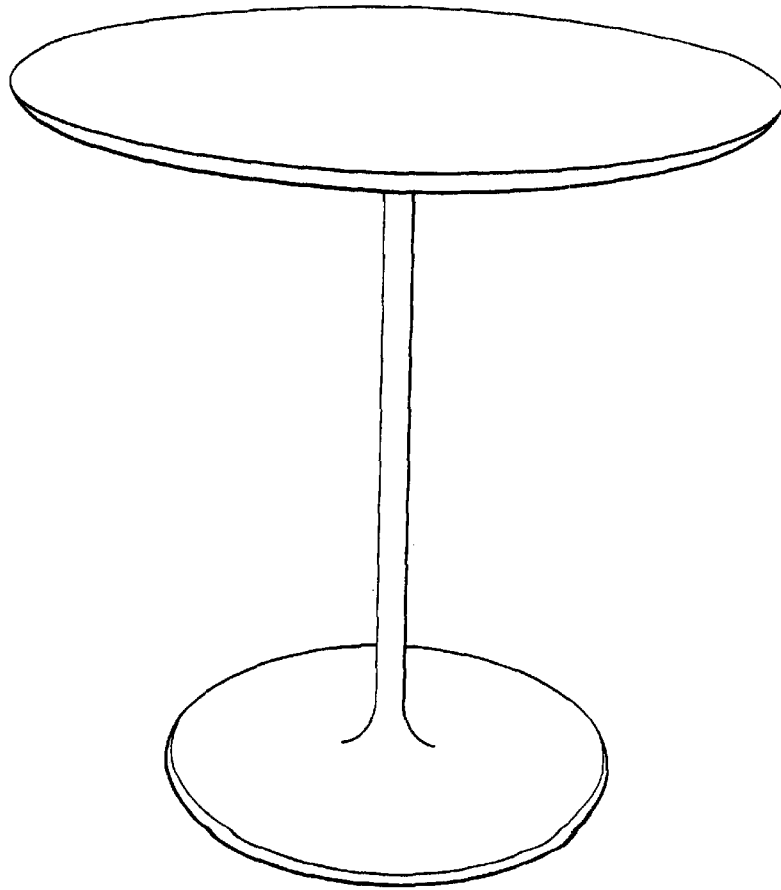


*FIG. 6*

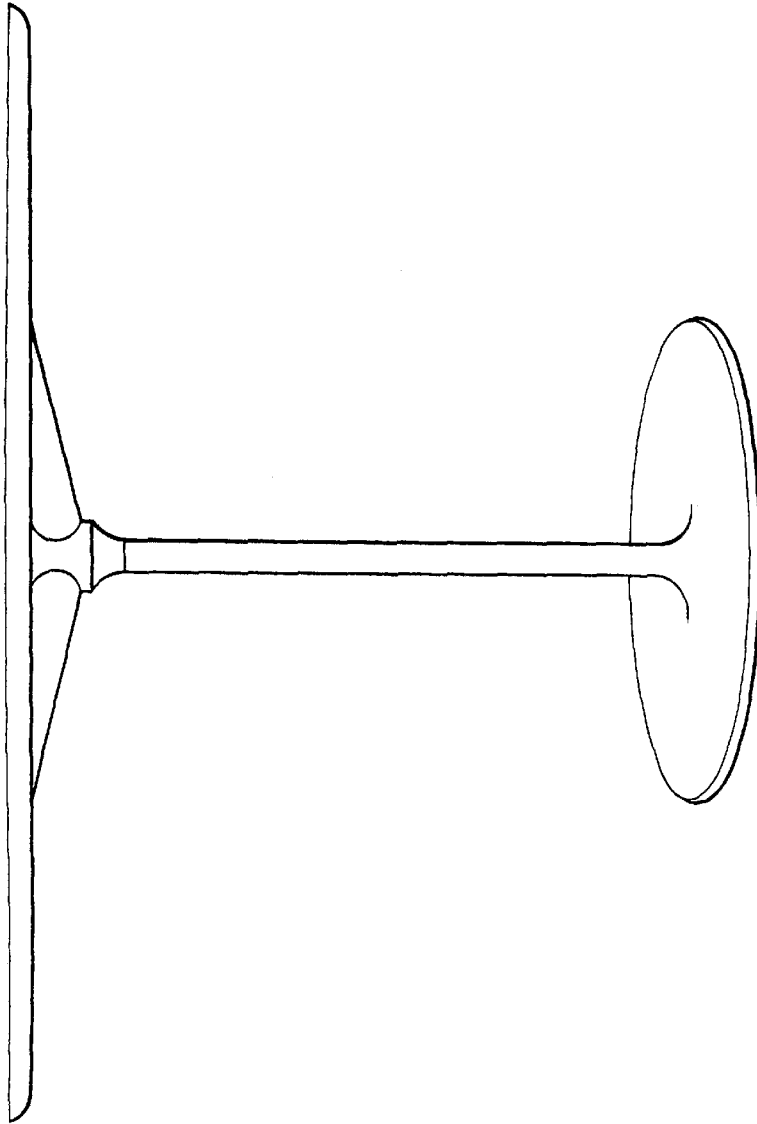


*Fig. 7*

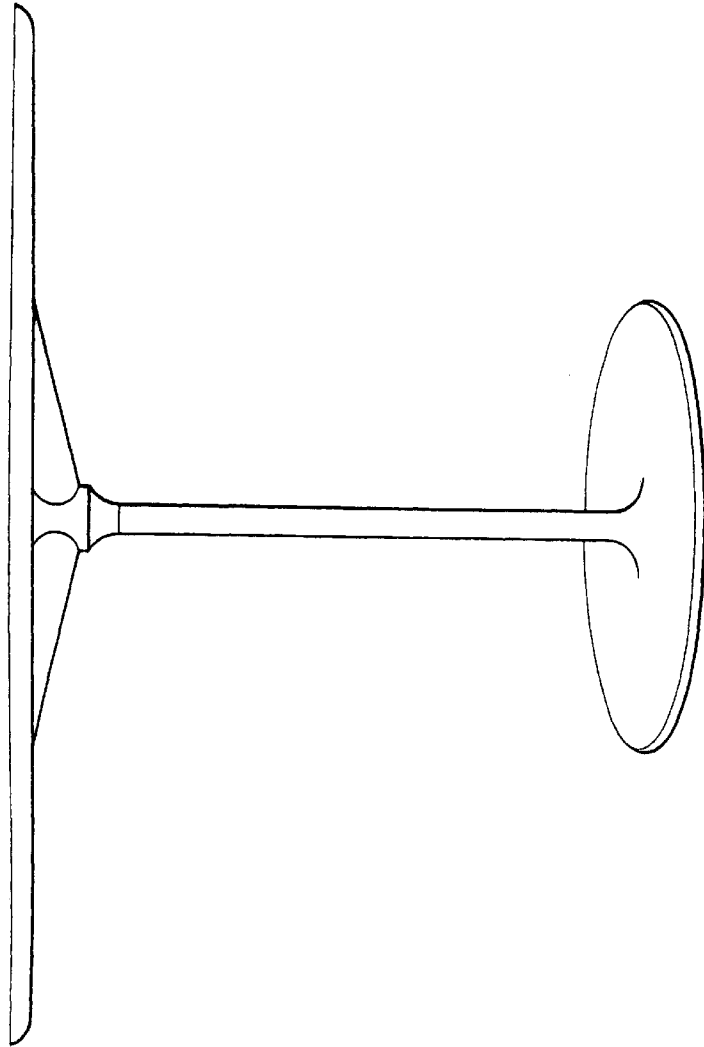




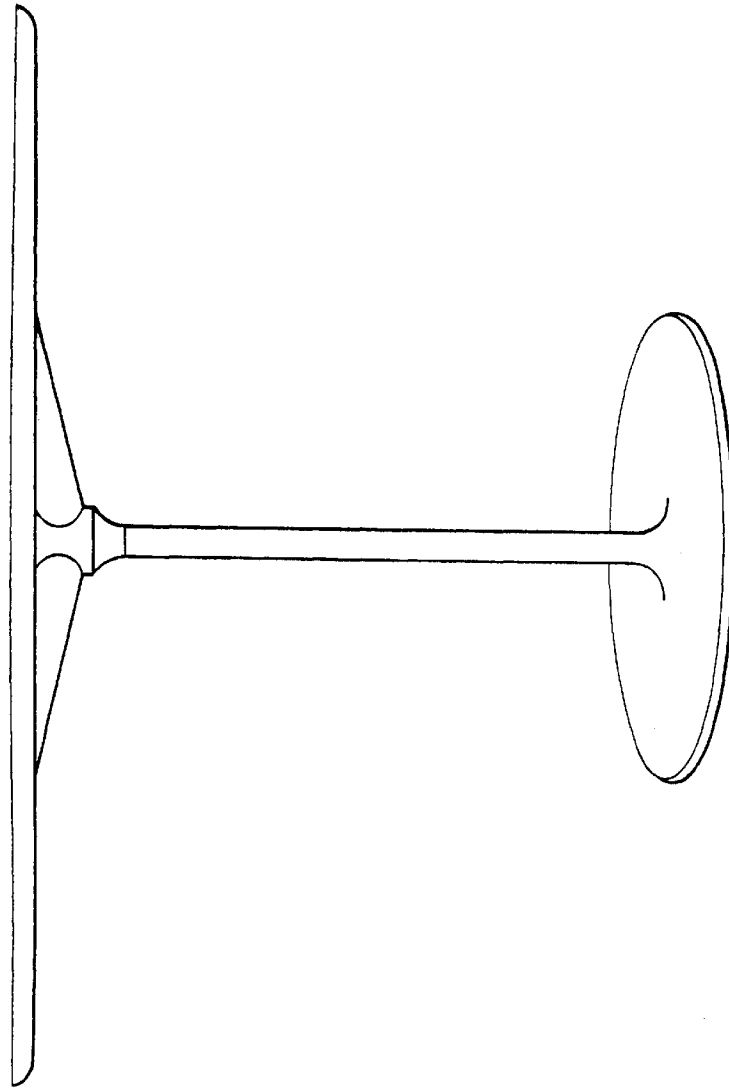
*Fig. 8*



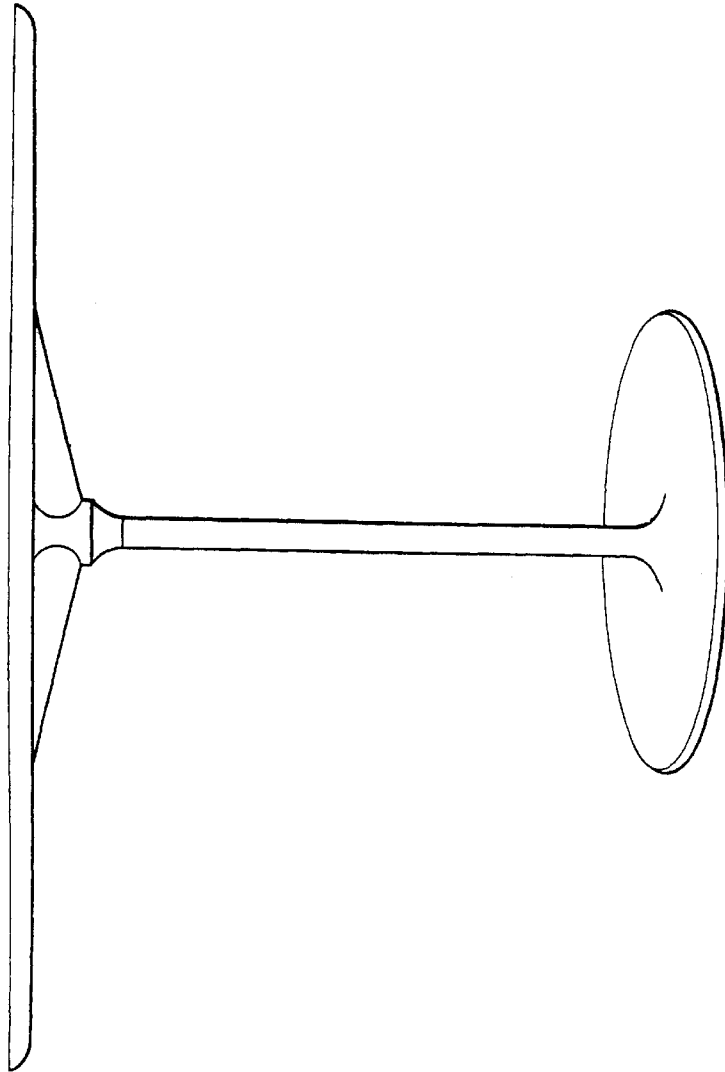
*Fig. 9*



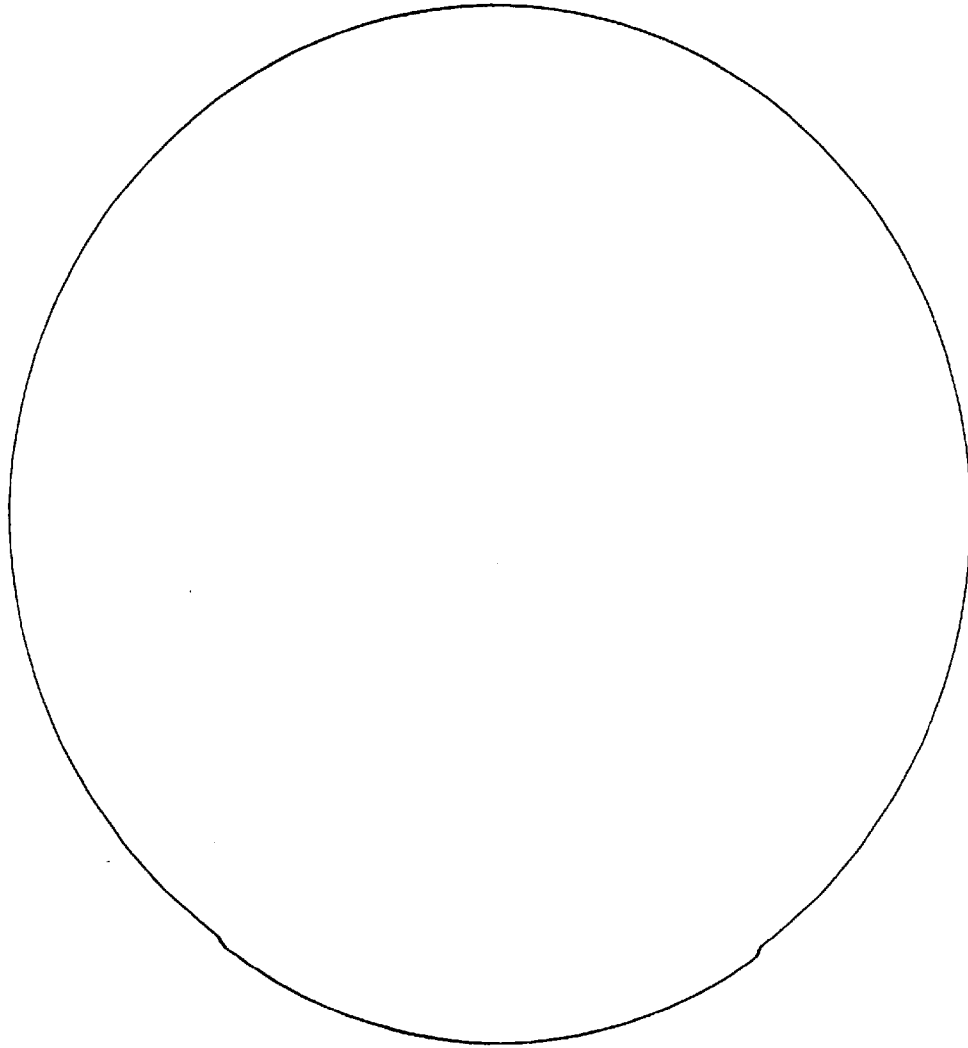
*Fig. 10*



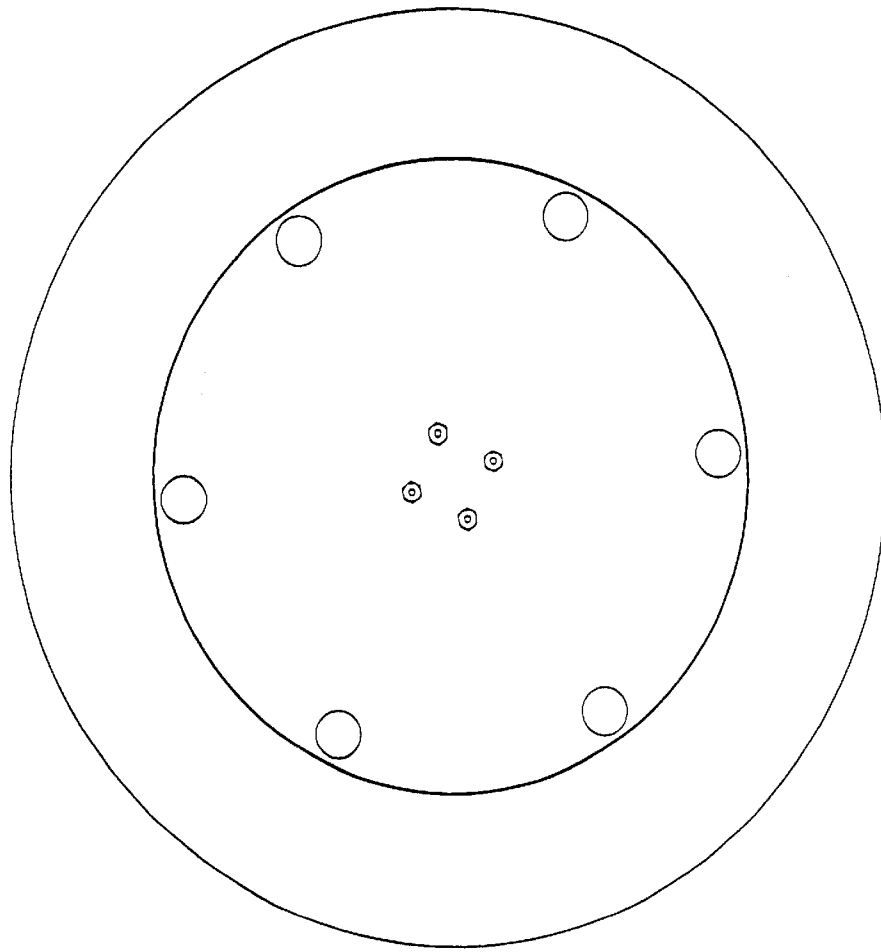
*Fig. 11*



*Fig. 12*



*FIG. 13*



*Fig. 14*