



US0D1021853S

(12) **United States Design Patent**
Hague et al.

(10) **Patent No.:** **US D1,021,853 S**

(45) **Date of Patent:** **** Apr. 9, 2024**

(54) **HEADSET**

(71) Applicant: **HEWLETT-PACKARD
DEVELOPMENT COMPANY, L.P.,**
Spring, TX (US)

(72) Inventors: **Kevin Hague**, Fountain Valley, CA
(US); **Baron Lee**, Fountain Valley, CA
(US); **Albert Jin**, Fountain Valley, CA
(US)

(73) Assignee: **Hewlett-Packard Development
Company, L.P.**, Spring, TX (US)

(**) Term: **15 Years**

(21) Appl. No.: **29/916,417**

(22) Filed: **Nov. 10, 2023**

Related U.S. Application Data

(62) Division of application No. 29/810,341, filed on Oct. 4, 2021.

(51) **LOC (14) Cl.** **14-01**

(52) **U.S. Cl.**
USPC **D14/206**

(58) **Field of Classification Search**

USPC D14/206, 205, 226; D29/112; 2/209;
D28/41; 132/273; 381/380-381, 374,
381/362, 382; 181/129
CPC H04R 25/00; H04R 25/02; H04R 1/1066;
H04R 1/1016; H04R 5/033; H04R
5/0335; H04R 1/1058; H04R 1/08; H04R
11/06; H04R 19/04; H04R 1/1091; H04R
11/04; H04R 1/1008; H04R 1/105

See application file for complete search history.

(56) **References Cited**

U.S. PATENT DOCUMENTS

2,314,782 A 3/1943 Goretzky
2,439,289 A 4/1948 Fanslow

D254,183 S 2/1980 Doodson
4,832,150 A 5/1989 Just et al.
D302,429 S 7/1989 Leer
5,565,659 A 10/1996 Moner et al.
D376,598 S 12/1996 Hayashi
D389,152 S 1/1998 Kurihara
D395,898 S 7/1998 Suzuki
5,793,878 A 8/1998 Chang
6,081,604 A 6/2000 Hikichi et al.
6,386,314 B1 5/2002 Sheehan et al.
D541,255 S * 4/2007 Taylor D14/205
D635,958 S 4/2011 Ando et al.
D668,117 S 10/2012 Shimizu et al.

(Continued)

FOREIGN PATENT DOCUMENTS

CN 307337589 * 5/2022

Primary Examiner — Paula Allen Greene

(74) *Attorney, Agent, or Firm* — Quarles & Brady LLP

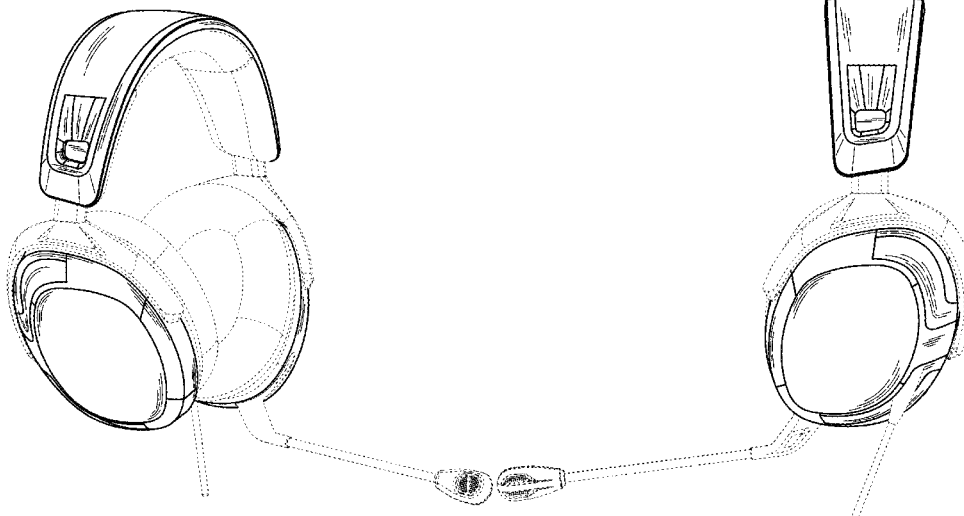
(57) **CLAIM**

The ornamental design for a headset, as shown and described.

DESCRIPTION

FIG. 1 is a front, left, top side perspective view of a headset showing the new design;
FIG. 2 is a front, right, top side perspective view of FIG. 1;
FIG. 3 is a rear, right, bottom perspective view of FIG. 1;
FIG. 4 is a front elevational view of FIG. 1;
FIG. 5 is a rear elevational view of FIG. 1;
FIG. 6 is a left side elevational view of FIG. 1;
FIG. 7 is a right side elevational view of FIG. 1;
FIG. 8 is a top plan view of FIG. 1; and,
FIG. 9 is a bottom plan view of FIG. 1.
The dash-dash-dash lines are included for the purpose of illustrating portions of the headset that form no part of the claimed design.

1 Claim, 9 Drawing Sheets



(56)

References Cited

U.S. PATENT DOCUMENTS

D672,745 S	12/2012	Abed et al.	D890,123 S	7/2020	Yoshimura	
D695,263 S	12/2013	Mogili	D899,403 S *	10/2020	Zhu	D14/206
D707,200 S	6/2014	Yang	D900,782 S	11/2020	Vaclavik et al.	
8,755,555 B2	6/2014	Dougherty et al.	D902,496 S	11/2020	Bui	
D732,001 S	6/2015	Licht et al.	D905,005 S	12/2020	Liu	
D808,359 S	1/2018	Meyer et al.	D918,171 S	5/2021	Nakayama et al.	
D815,614 S	4/2018	Tzeng et al.	D920,283 S	5/2021	Levine et al.	
10,015,580 B1	7/2018	Bruno	D928,114 S	8/2021	Terazaki	
D826,894 S	8/2018	Zhang	D934,198 S	10/2021	Michaelian et al.	
D830,334 S	10/2018	Carr	D937,242 S	11/2021	Levine et al.	
D836,600 S	12/2018	Lee et al.	D938,934 S	12/2021	Tsubone et al.	
D838,687 S *	1/2019	Wu	D944,759 S	3/2022	Vaclavik	
			D951,234 S	5/2022	Akana et al.	
D840,373 S	2/2019	Lee et al.	D954,019 S	6/2022	Shyu et al.	
D840,971 S	2/2019	Summerson et al.	D961,546 S	8/2022	Zhang	
D842,270 S	3/2019	Chen	D968,360 S	11/2022	Omura	
D845,928 S	4/2019	Lee et al.	D976,228 S	1/2023	Zheng et al.	
D847,781 S *	5/2019	Chen	D978,112 S	2/2023	Mackrell et al.	
			D991,904 S	7/2023	Wagner	
D851,839 S	6/2019	Scanlon	2001/0017925 A1	8/2001	Ceravolo	
D857,652 S	8/2019	Wang	2009/0003616 A1 *	1/2009	Kleinschmidt	H04R 1/1066
D857,655 S	8/2019	Saule et al.				381/374
D858,481 S	9/2019	Saule et al.	2012/0140973 A1 *	6/2012	Olodort	H04R 1/1066
D860,163 S	9/2019	Xia				381/375
D865,708 S	11/2019	Lee et al.	2016/0277828 A1 *	9/2016	Oh	H04R 1/105
D872,049 S	1/2020	Saule et al.	2017/0019728 A1	1/2017	Cochran et al.	
D876,388 S	2/2020	Carr et al.	2017/0257695 A1	9/2017	Smiechowski	
D877,714 S	3/2020	Dhondt et al.	2018/0054667 A1 *	2/2018	Yamkovoy	H04R 1/08
D878,327 S	3/2020	Dhondt et al.	2019/0037300 A1	1/2019	Wang et al.	
D886,802 S	6/2020	Willis et al.	2021/0051390 A1	2/2021	He	

* cited by examiner

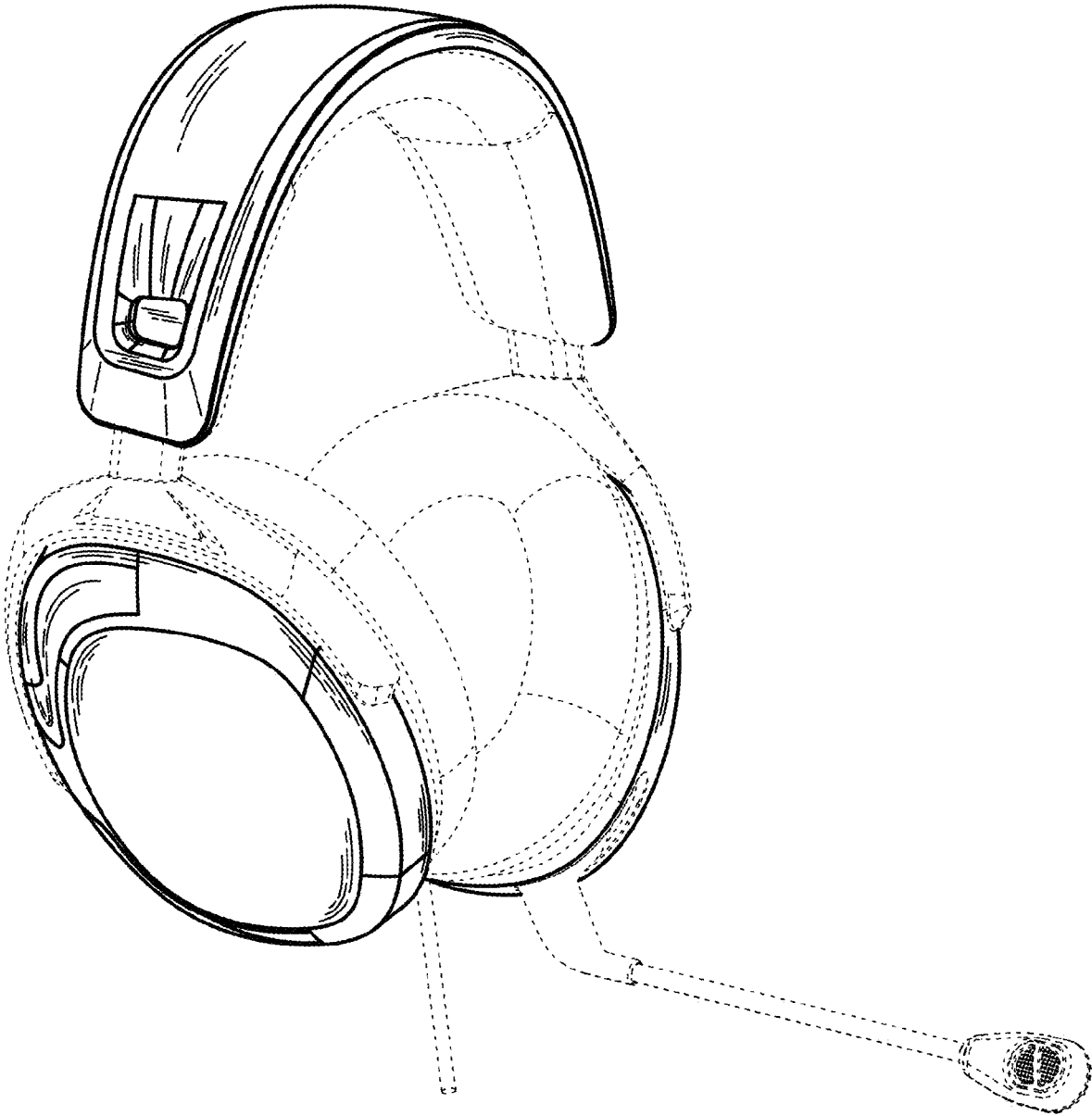


FIG. 1

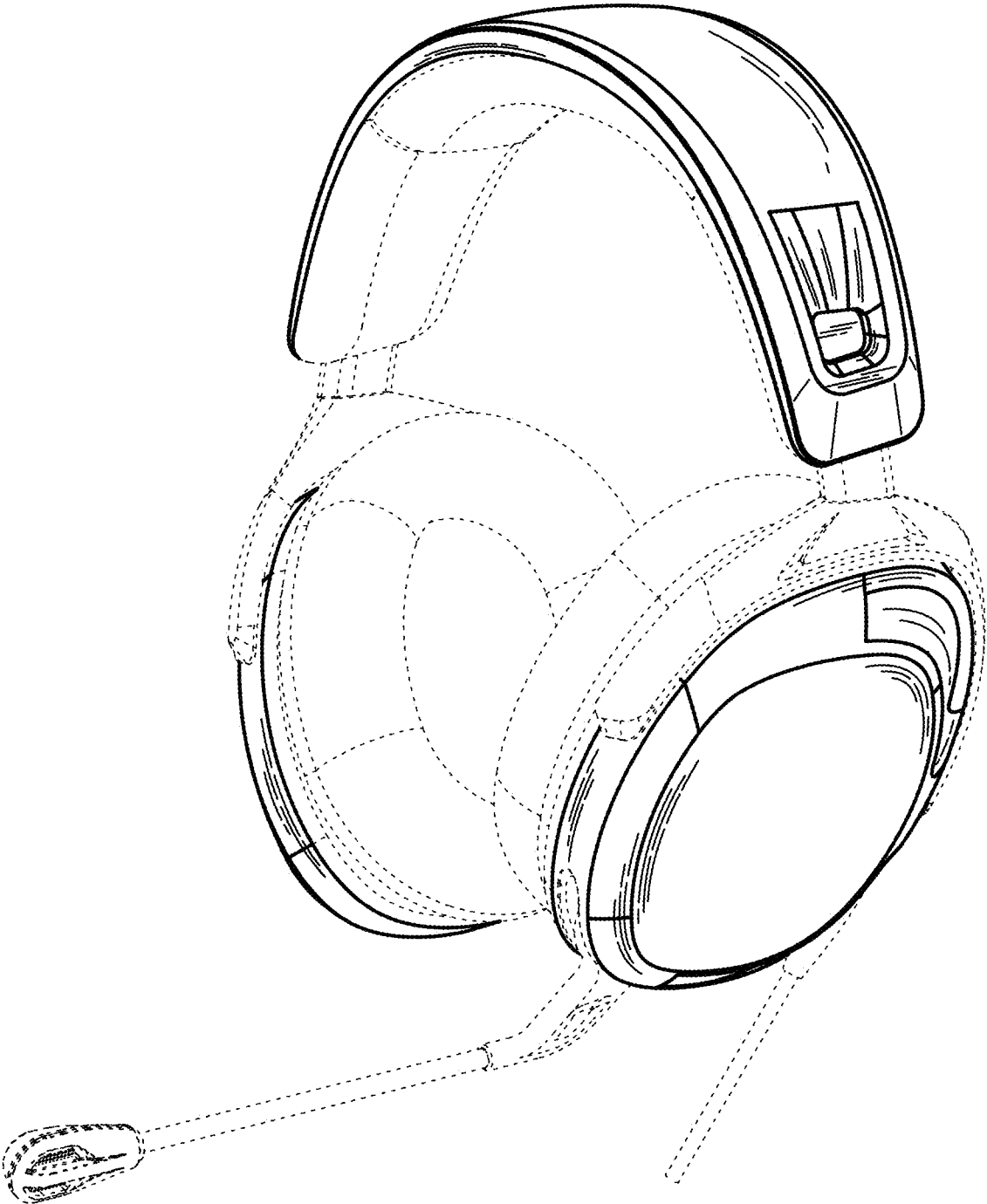


FIG. 2

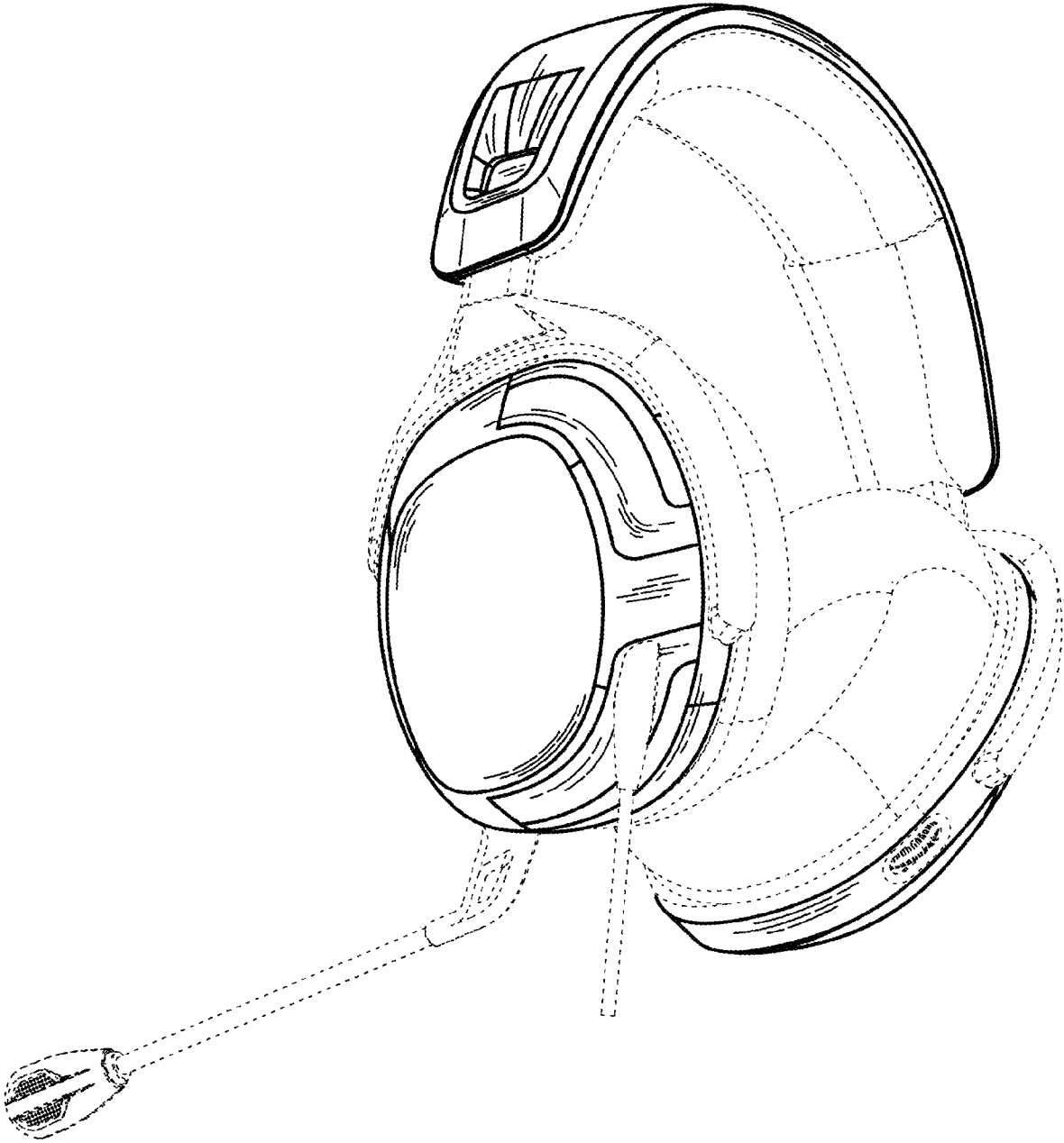


FIG. 3

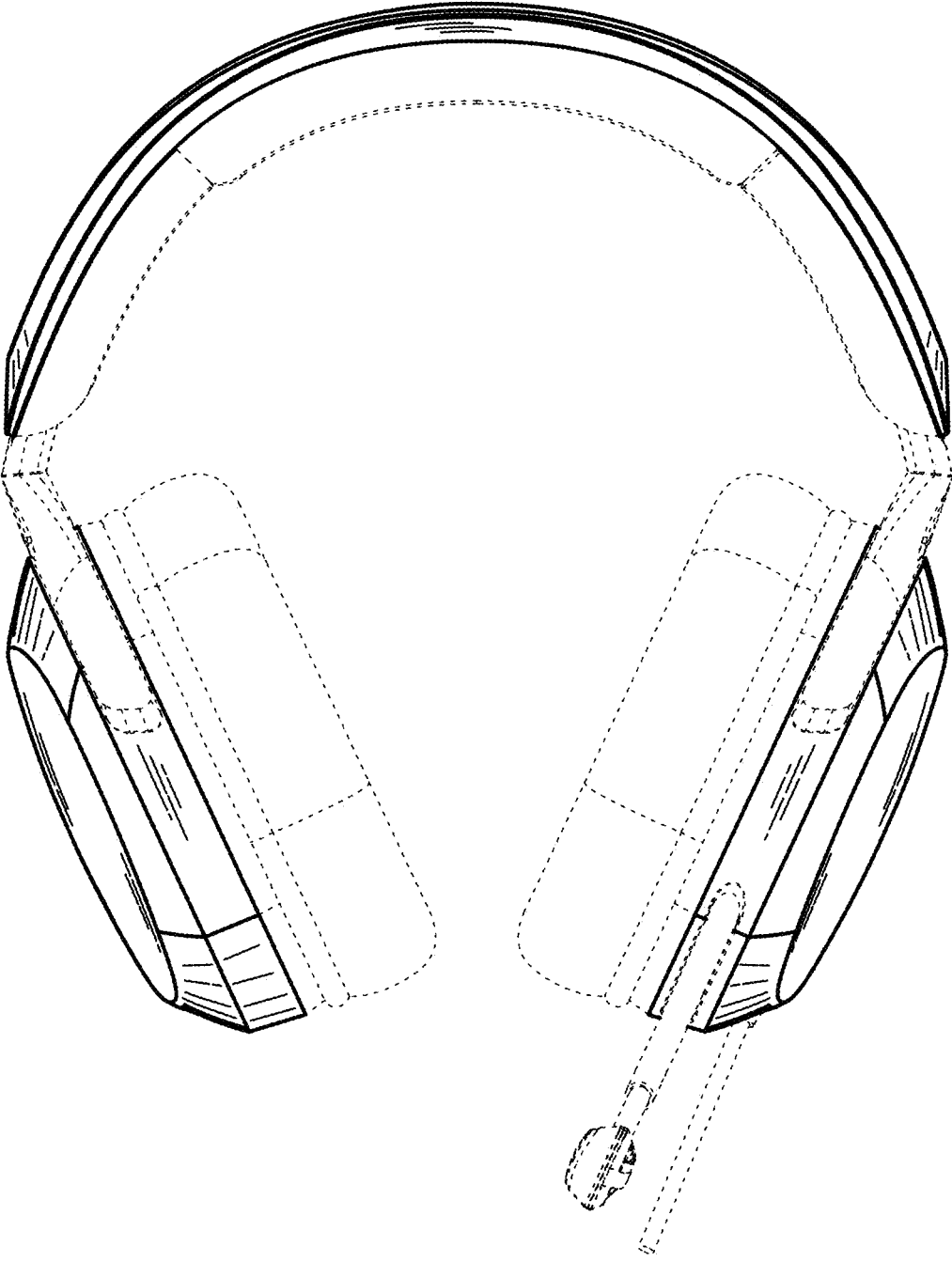


FIG. 4

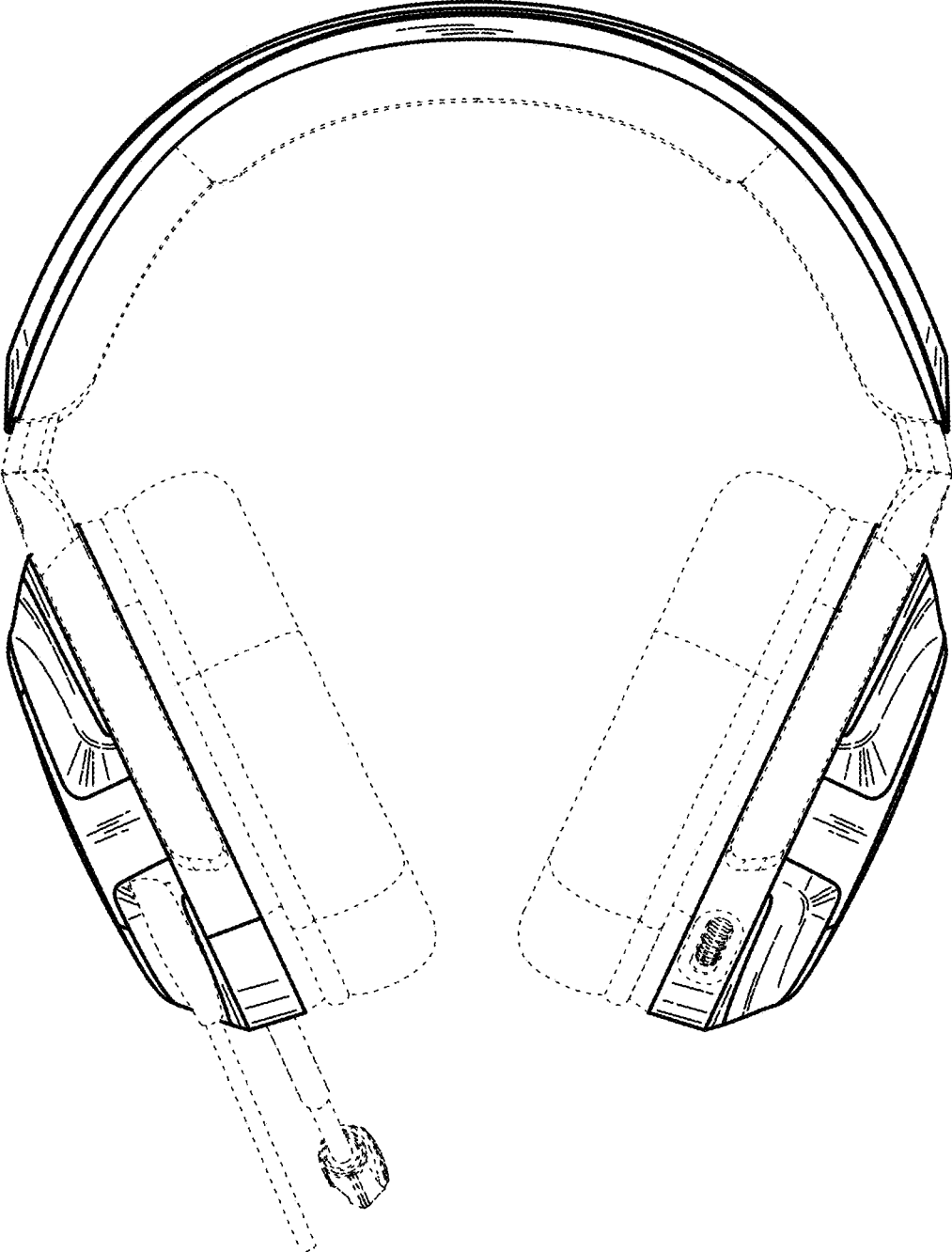


FIG. 5

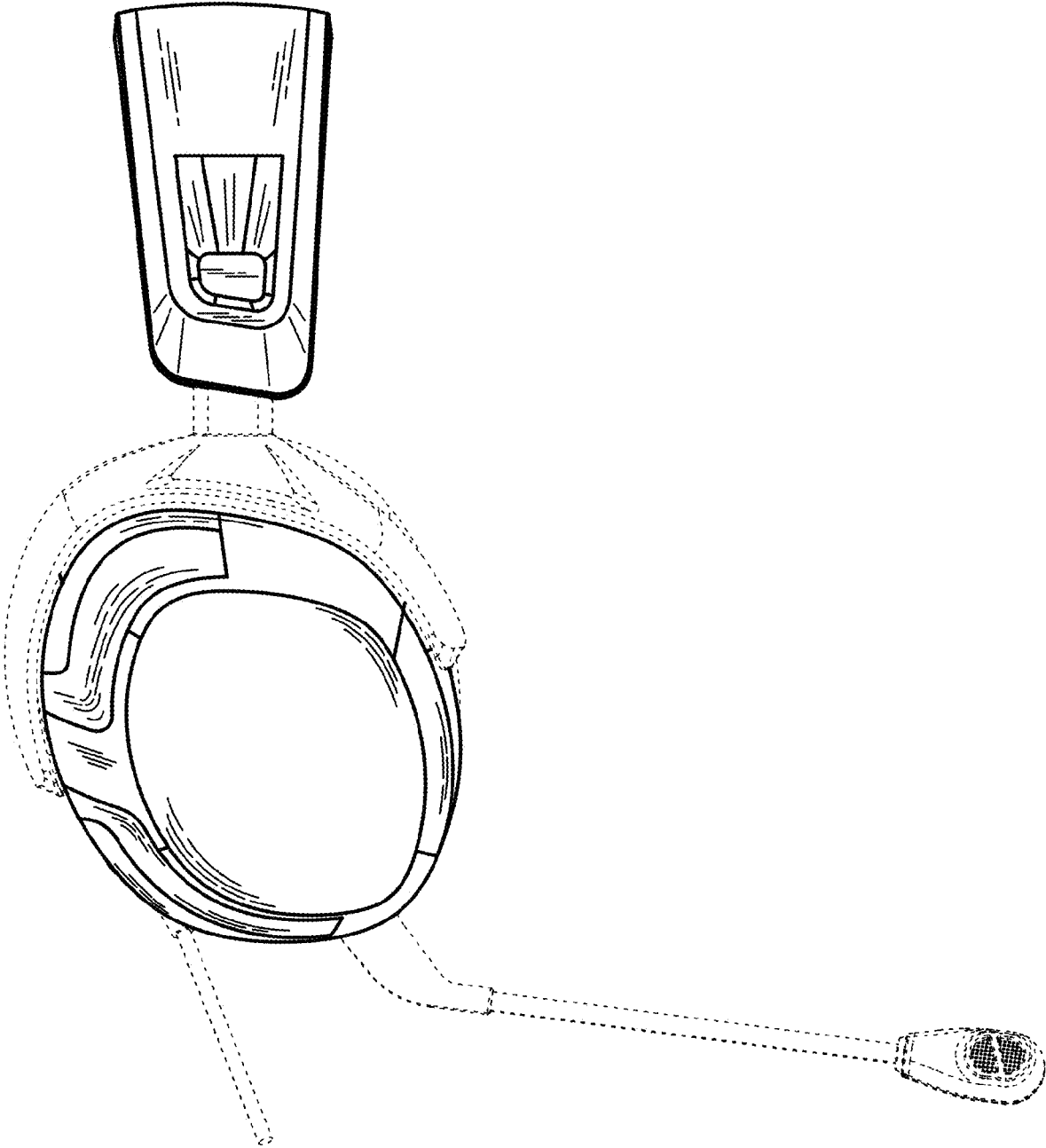


FIG. 6

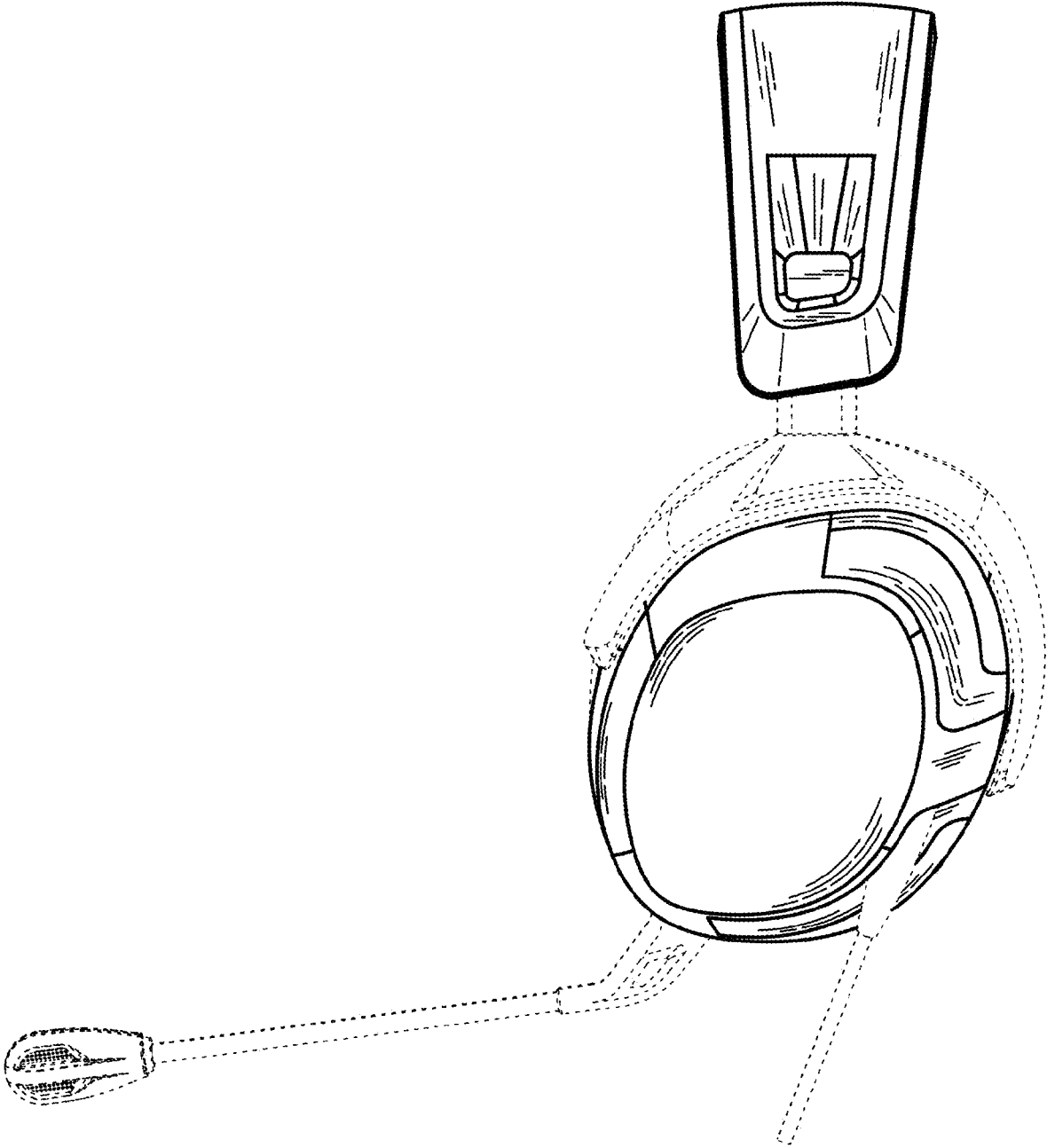


FIG. 7

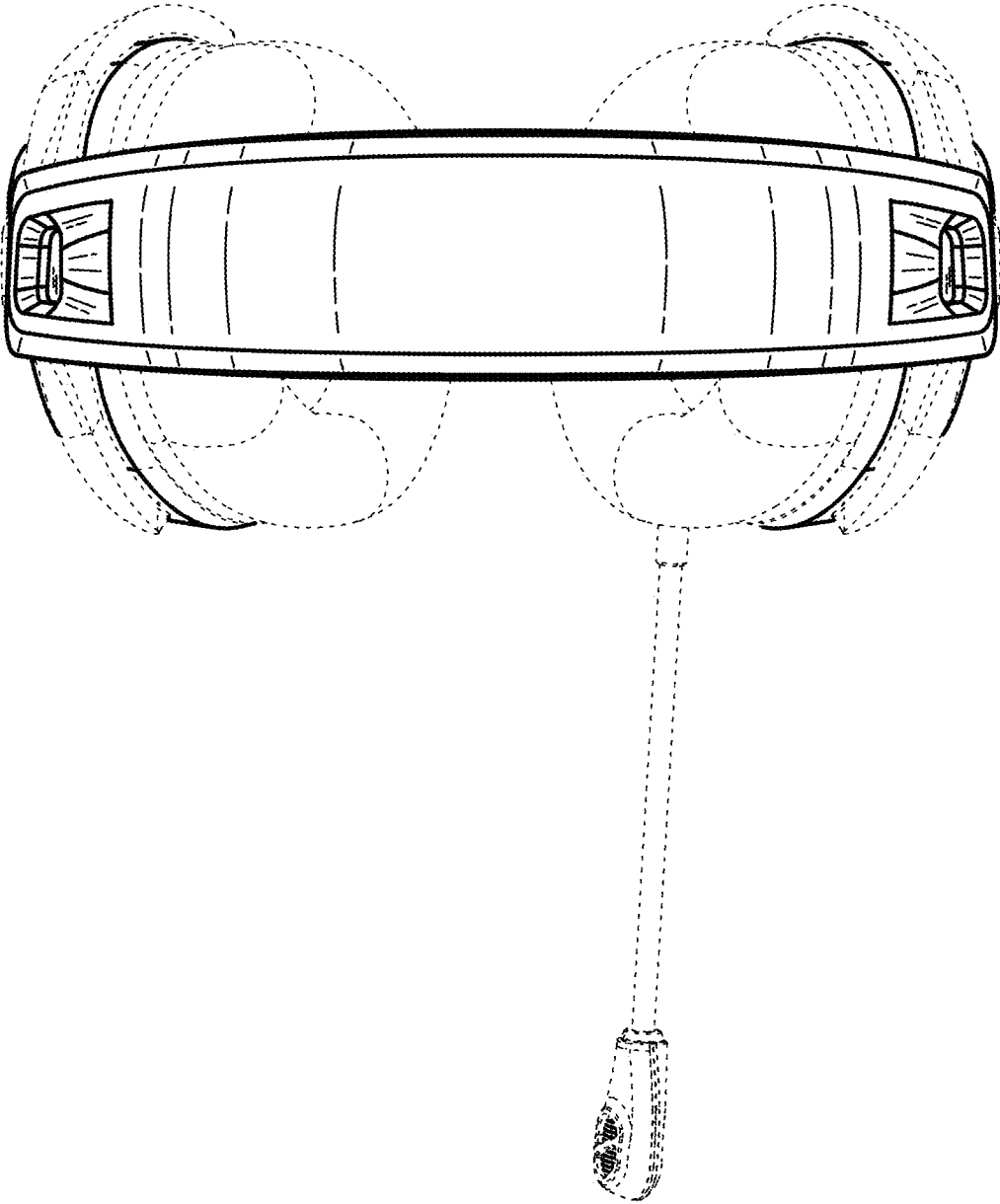


FIG. 8

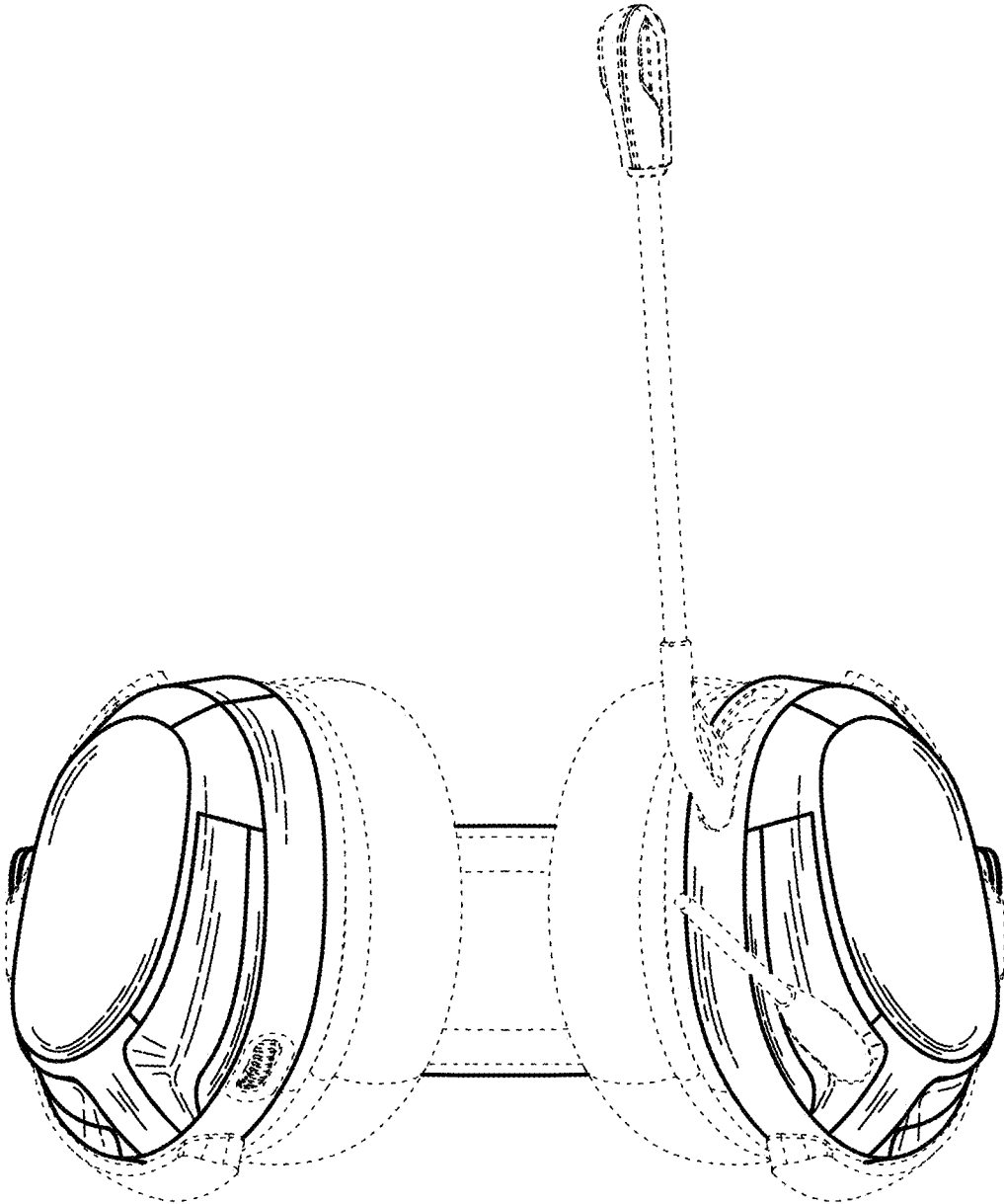


FIG. 9