



US00D495531S1

(12) **United States Design Patent** (10) **Patent No.:** **US D495,531 S**
Allshouse et al. (45) **Date of Patent:** **** Sep. 7, 2004**

(54) **GAME TABLE DISPLAY RACK**

2001/0020605 A1 * 9/2001 Battaglia et al. 211/59.2
2001/0045403 A1 * 11/2001 Robertson 211/74
2002/0033373 A1 * 3/2002 Robertson 211/184

(75) Inventors: **James R. Allshouse**, Newburgh, IN
(US); **John F. Hetzel**, Newburgh, IN
(US)

OTHER PUBLICATIONS

(73) Assignee: **Indiana Industries, Inc.**, Evansville, IN
(US)

Gondola End Unit #2311-2319, p. 42, Reeve Store Equip-
ment catalog 76.*

(**) Term: **14 Years**

* cited by examiner

(21) Appl. No.: **29/188,049**

Primary Examiner—Mimosa De
(74) *Attorney, Agent, or Firm*—Woodard, Emhard,
Moriarty, McNett & Henry LLP

(22) Filed: **Aug. 12, 2003**

(57) **CLAIM**

(51) **LOC (7) Cl.** **06-04**

The ornamental design for game table display rack, as
shown and described.

(52) **U.S. Cl.** **D6/468; D6/462**

(58) **Field of Search** D6/396, 397, 449,
D6/574, 457-468, 473, 474, 477, 479, 510,
511; 108/108; D9/517; D21/334; 206/459.1,
459.5; 211/59.2, 59.3, 74, 88.01, 126.1,
126.5, 135, 151, 153, 181.1, 184, 186;
221/29, 151, 152, 156; 312/45

DESCRIPTION

(56) **References Cited**

U.S. PATENT DOCUMENTS

D243,891 S * 4/1977 Snyder D6/462
4,314,648 A * 2/1982 Spamer 211/59.2
D321,100 S * 10/1991 Dorrell D6/468
5,197,610 A * 3/1993 Bustos 211/59.2
5,595,310 A * 1/1997 Spamer et al. 312/45
6,276,538 B1 * 8/2001 Battaglia et al. 108/108
6,585,120 B2 * 7/2003 Robertson 211/59.2

FIG. 1 is a perspective view of a game table display rack,
with a game table and signs shown in broken lines for
illustrative purposes only and forming no part of the claimed
design, showing our new design.

FIG. 2 is an enlarged perspective view of the game table
display rack.

FIG. 3 is a front view thereof.

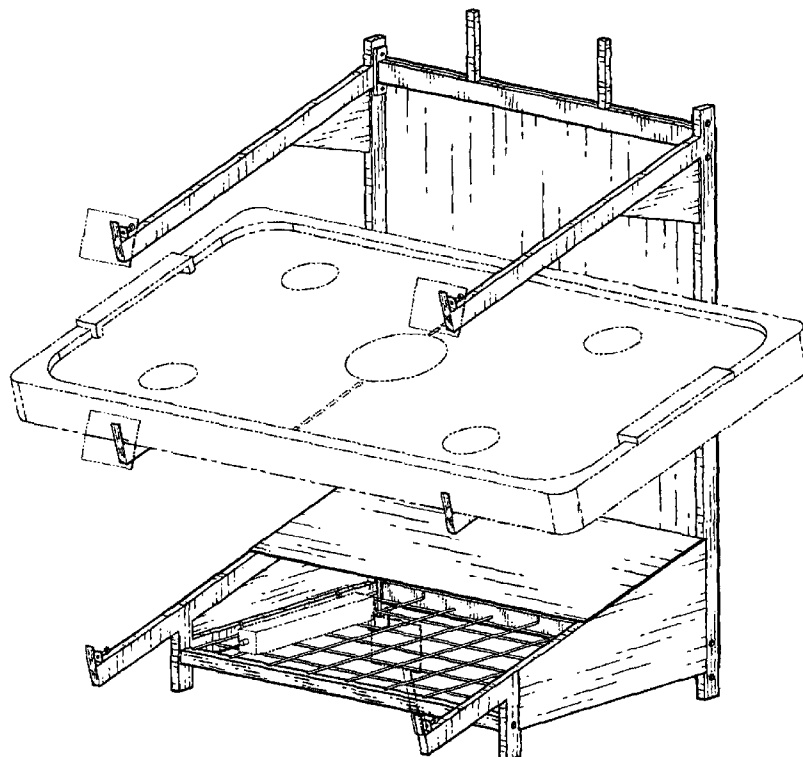
FIG. 4 is a side view thereof, the other side being a mirror
image thereof.

FIG. 5 is a top view thereof.

FIG. 6 is a bottom view thereof; and,

FIG. 7 is a rear view thereof.

1 Claim, 6 Drawing Sheets



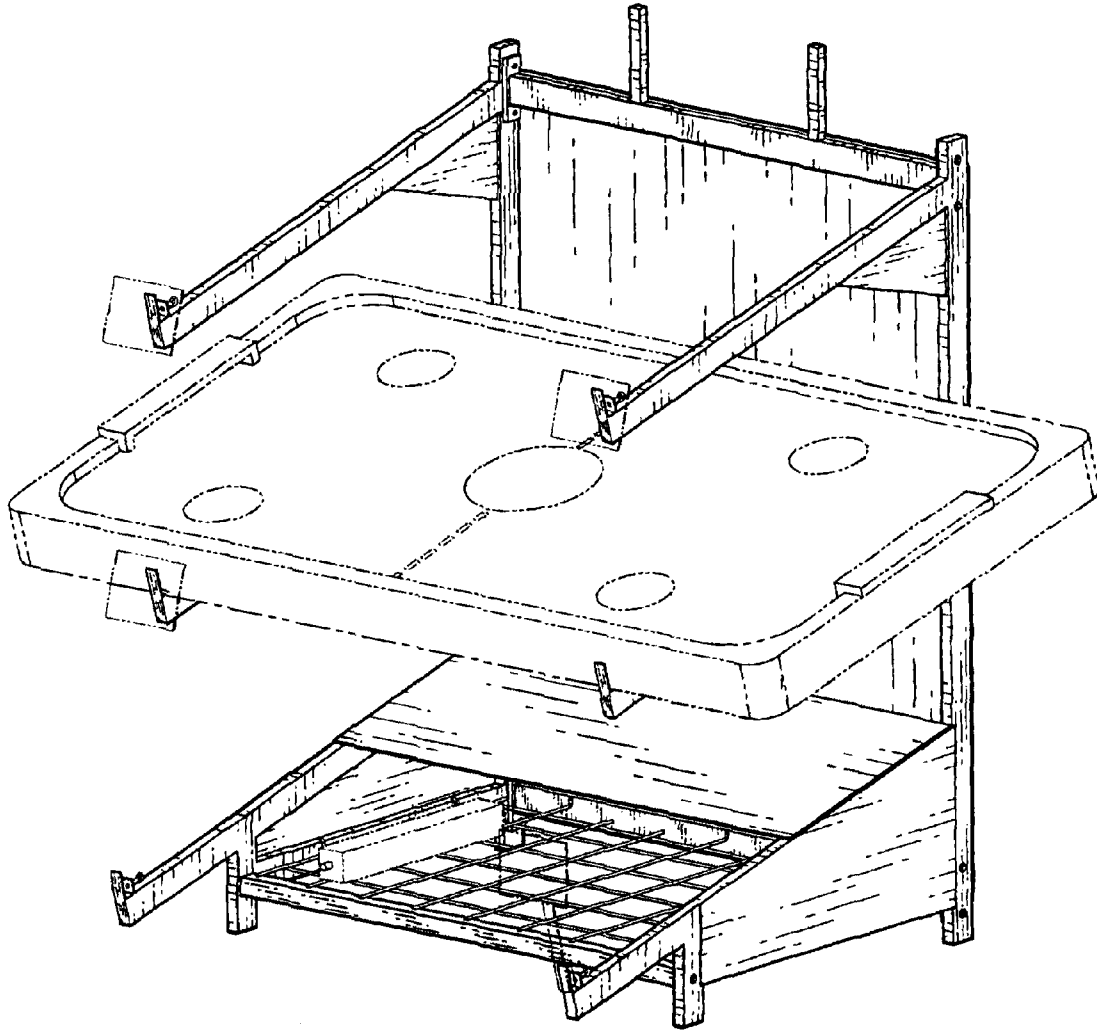


Fig. 1

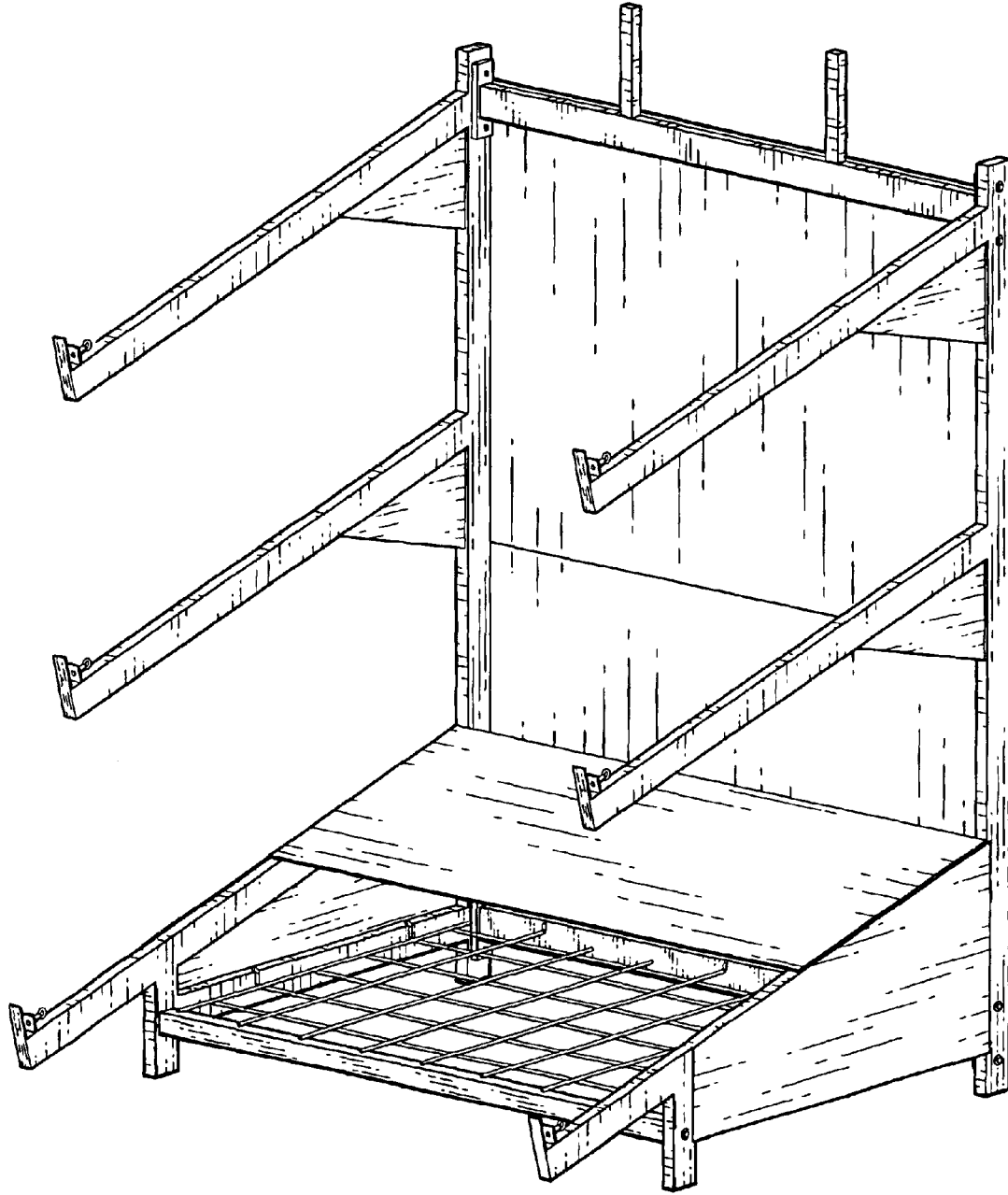


Fig. 2

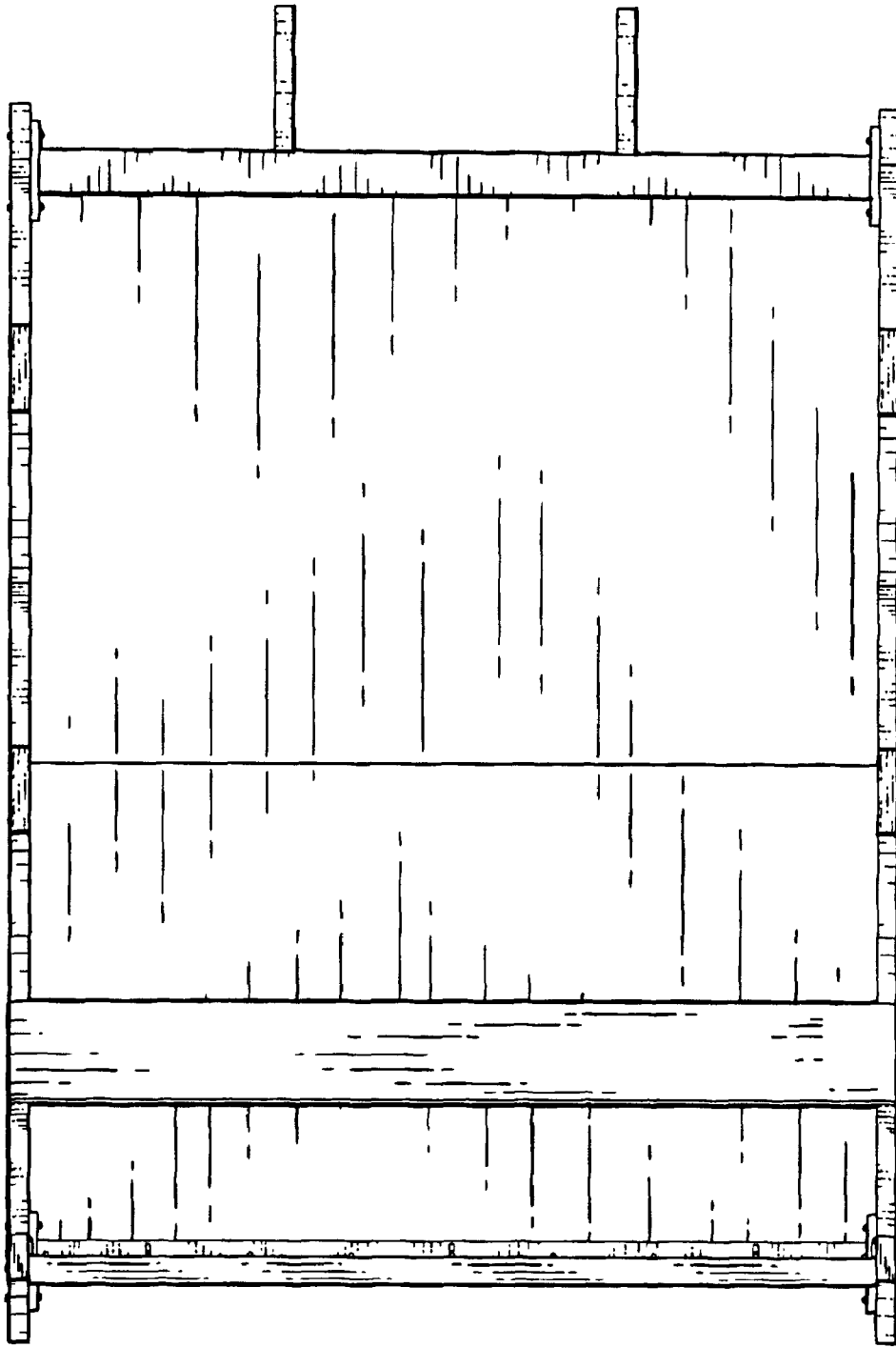


Fig. 3

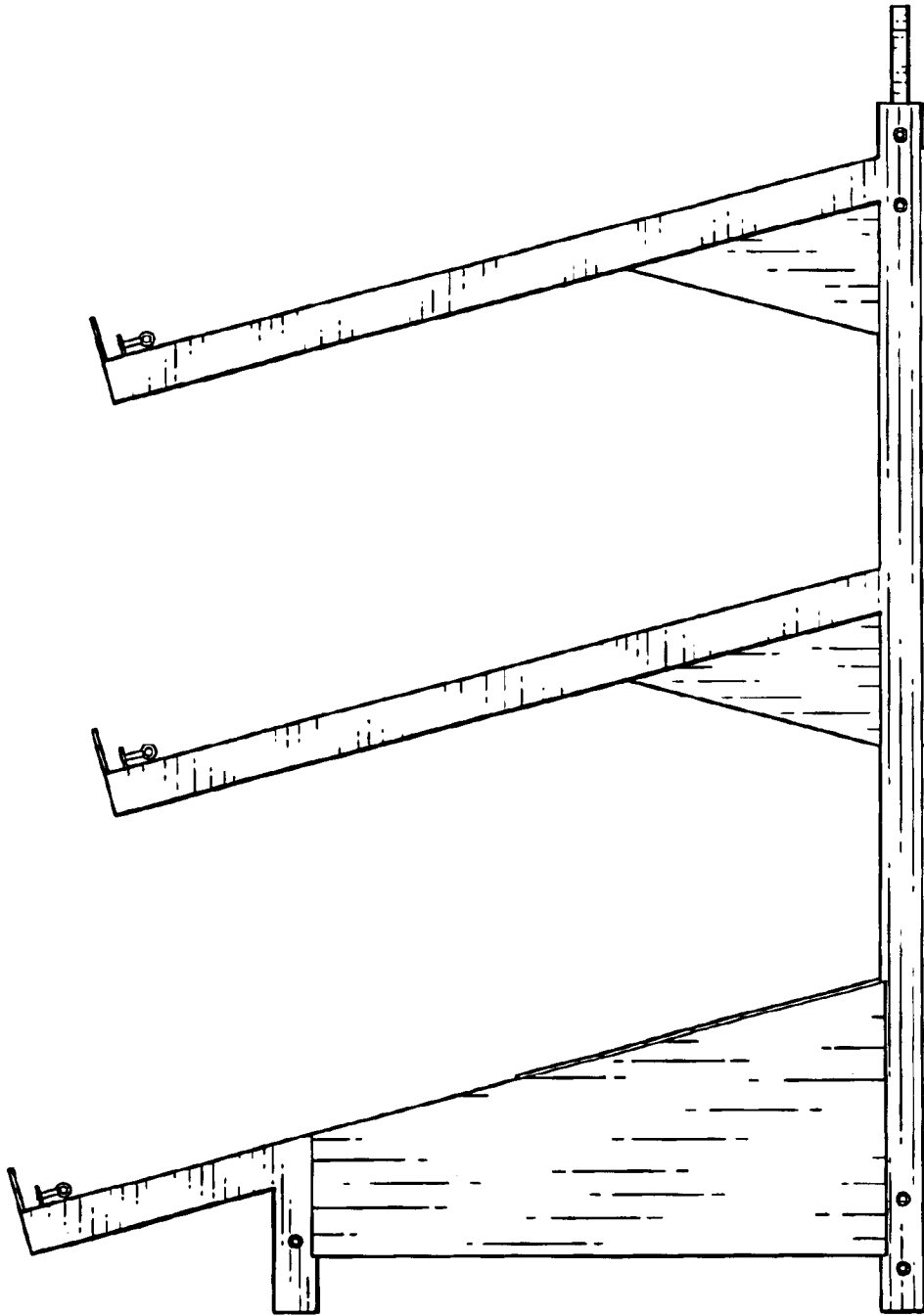


Fig. 4

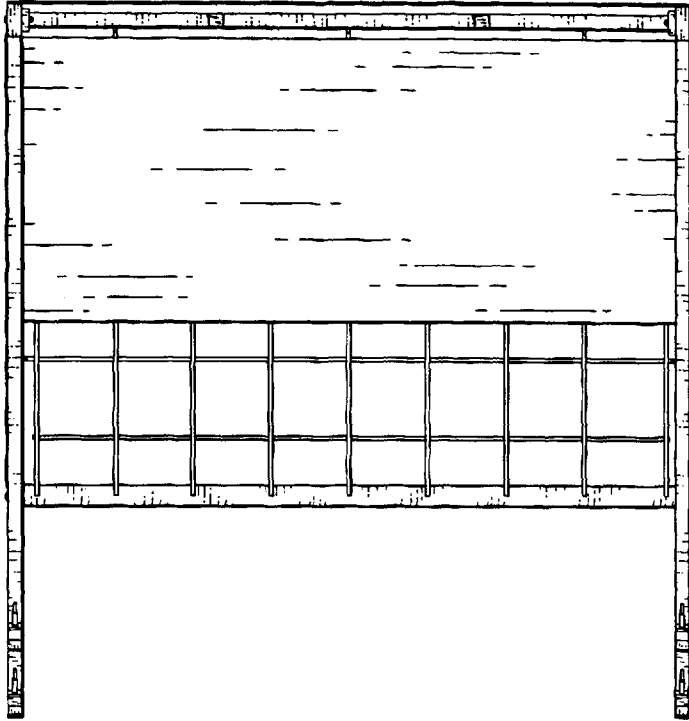


Fig. 5

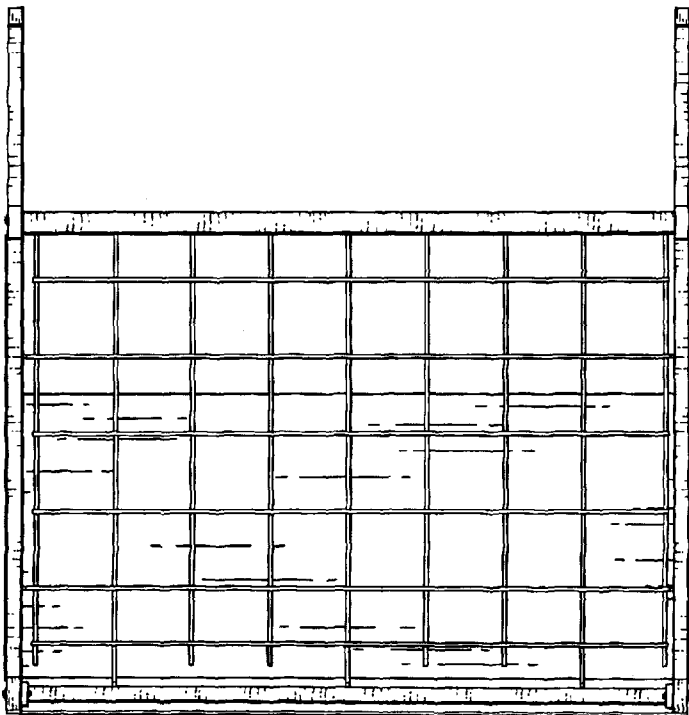


Fig. 6

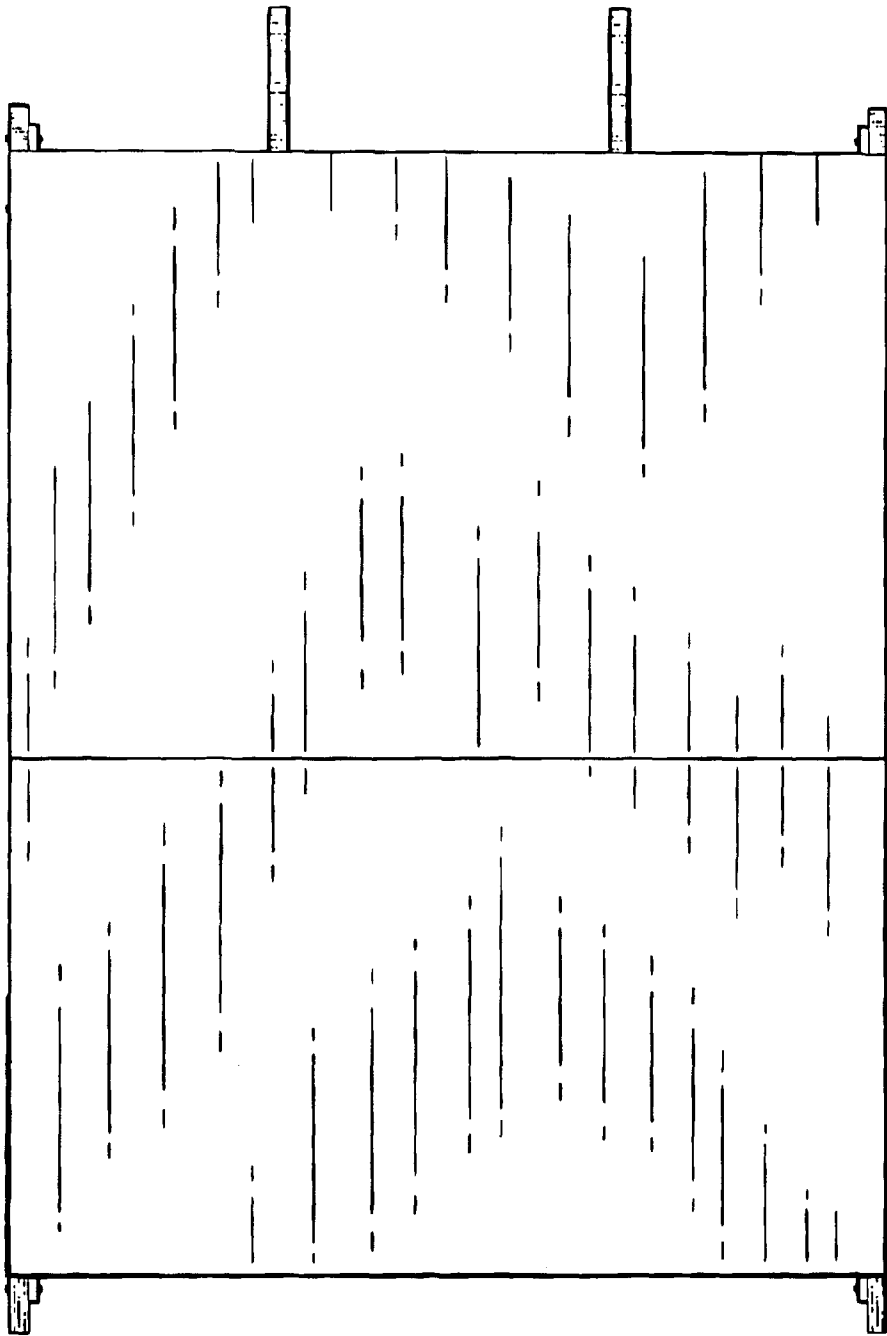


Fig 7