



US00D549025S

(12) **United States Design Patent**  
**Van Alstyne**

(10) **Patent No.:** **US D549,025 S**  
(45) **Date of Patent:** **\*\* Aug. 21, 2007**

(54) **MIRRORED CABINET AND DISPENSER OF PERSONAL EFFECTS**

*Primary Examiner*—Brian N Vinson  
(74) *Attorney, Agent, or Firm*—Plevy, Howard & Darcy, PC

(76) Inventor: **Peter C. Van Alstyne**, 433 Clinton St.,  
Apartment 1, Brooklyn, New York, NY  
(US) 11231

(57) **CLAIM**

The ornamental design for a mirrored cabinet and dispenser of personal effects, as shown and described.

(\*\*) Term: **14 Years**

(21) Appl. No.: **29/236,957**

**DESCRIPTION**

(22) Filed: **Aug. 24, 2005**

FIG. 1 is a top, front, and left side perspective view of a mirrored cabinet and dispenser of personal effects showing my new design, in an opened position;

(51) **LOC (8) Cl.** ..... **06-04**

FIG. 2 is a top plan view thereof;

(52) **U.S. Cl.** ..... **D6/555**

FIG. 3 is a front elevational view thereof;

(58) **Field of Classification Search** ..... D6/555,  
D6/553, 567, 569; 312/114, 126, 128-129,  
312/204, 231, 234, 242, 245; 211/13.1, 14,  
211/88.01, 134, 126.1

FIG. 4 is a right side elevational view thereof;

See application file for complete search history.

FIG. 5 is a front elevational view thereof, in an opened position;

(56) **References Cited**

FIG. 6 is a right side elevational view thereof, in an opened position;

**U.S. PATENT DOCUMENTS**

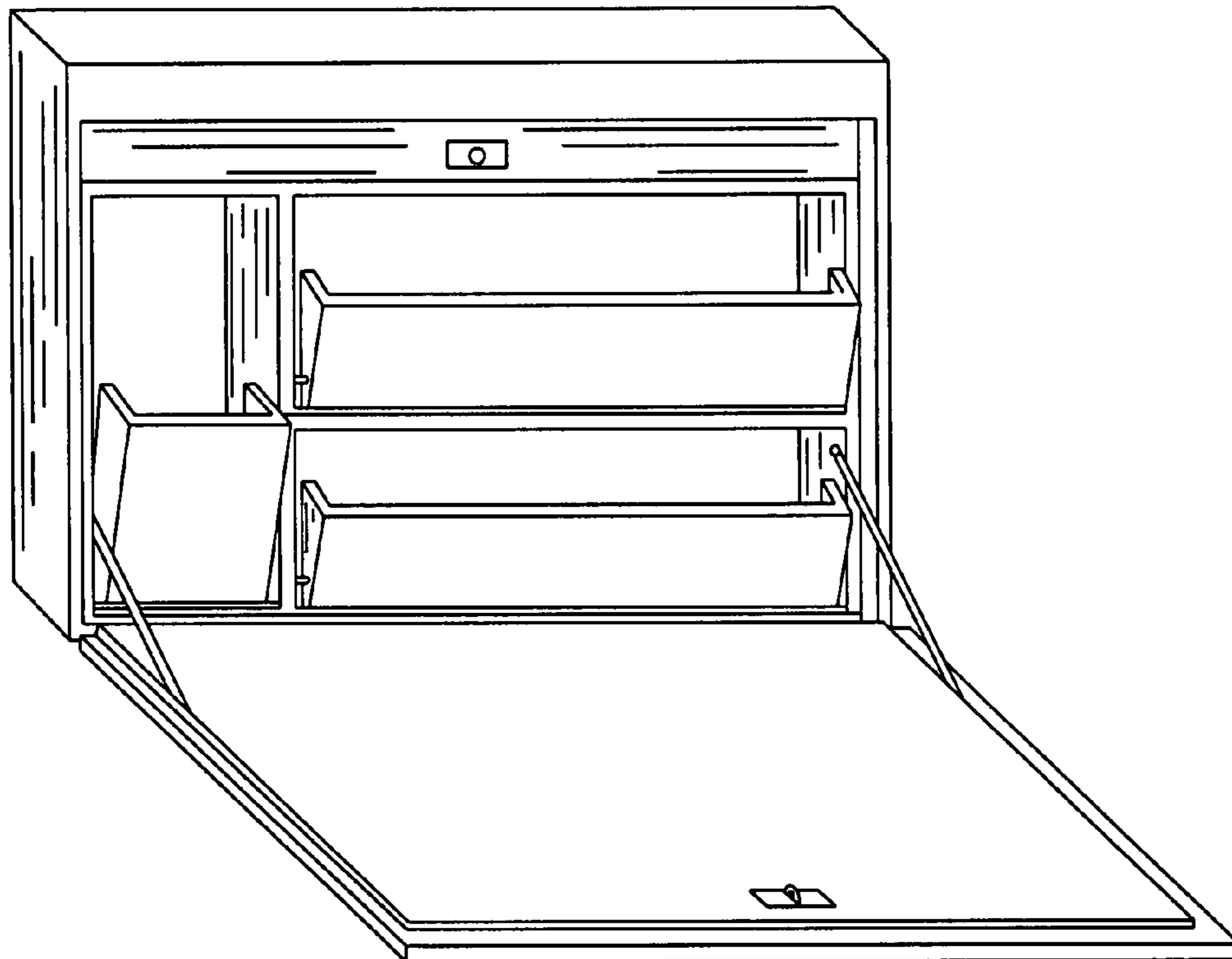
FIG. 7 is a top plan view thereof, in an opened position; and,

- D280,156 S \* 8/1985 Allen et al. .... D6/555
- D302,772 S \* 8/1989 Friedman ..... D6/555
- 5,082,336 A \* 1/1992 Munch et al. .... 312/242
- D395,185 S \* 6/1998 Neufeld et al. .... D6/555
- D496,550 S \* 9/2004 Fichman ..... D6/555

FIG. 8 is a top, front, and left side perspective view, in an open position, with the broken-line disclosure of a mirror on which it is mounted being shown for illustrative purposes only and forming no part of the claimed design.

\* cited by examiner

**1 Claim, 4 Drawing Sheets**



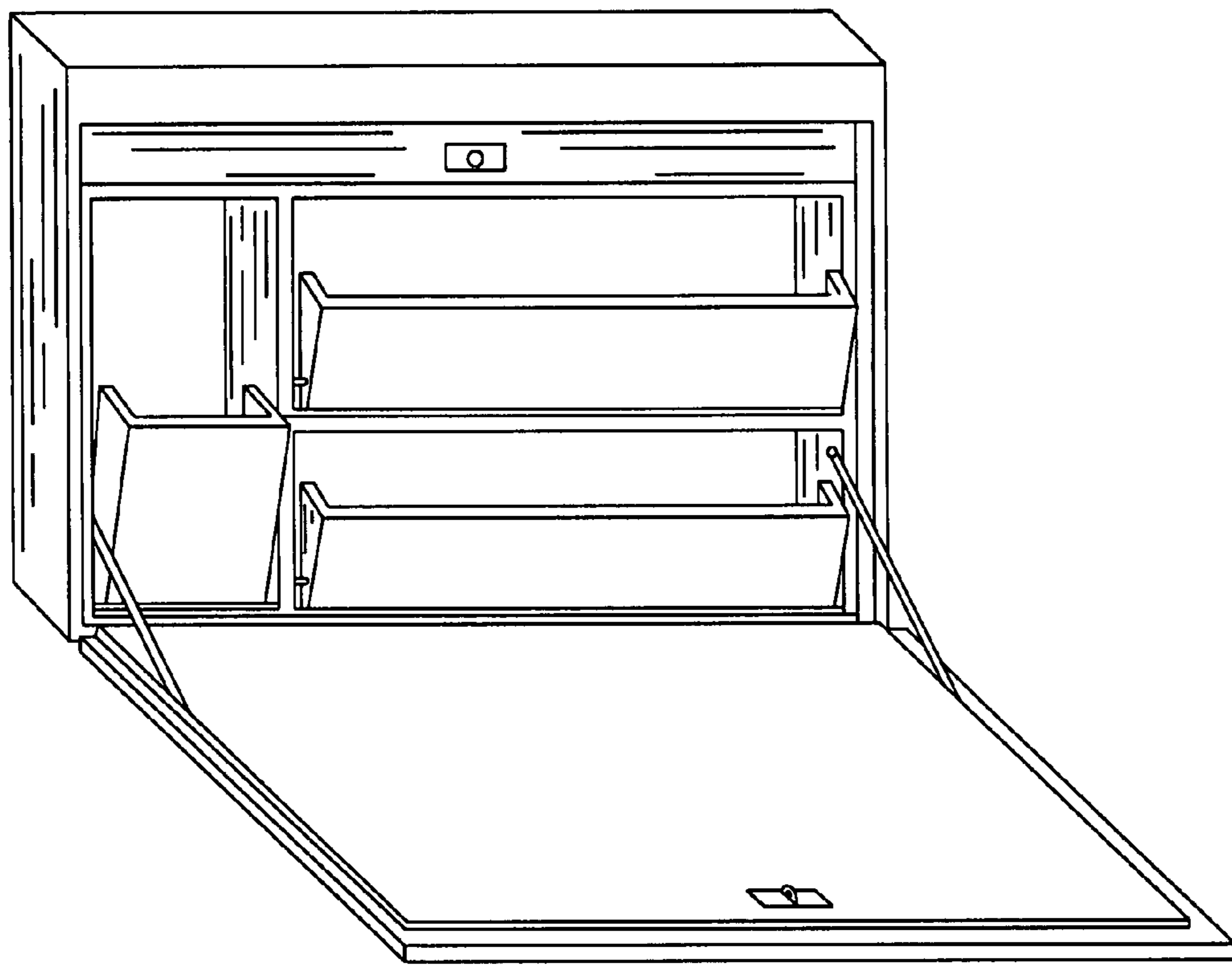


FIG. 1

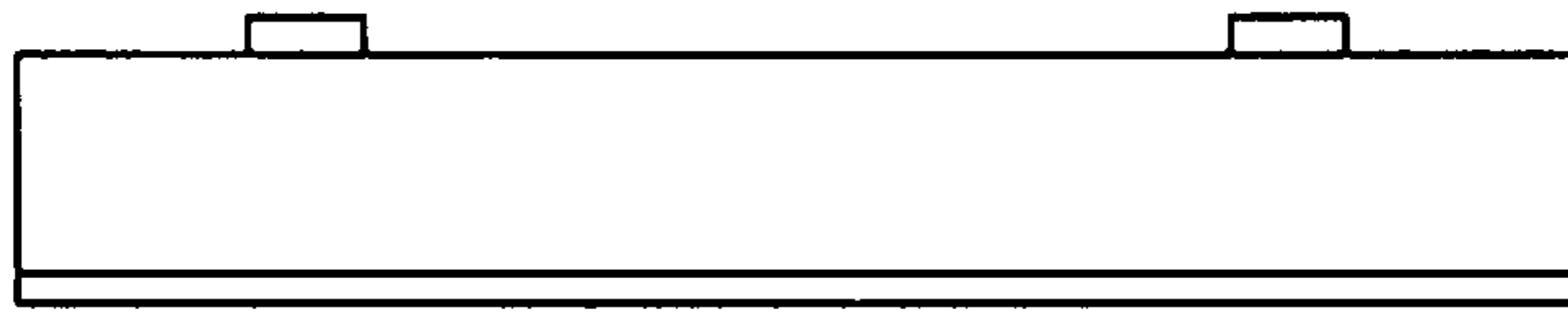


FIG. 2

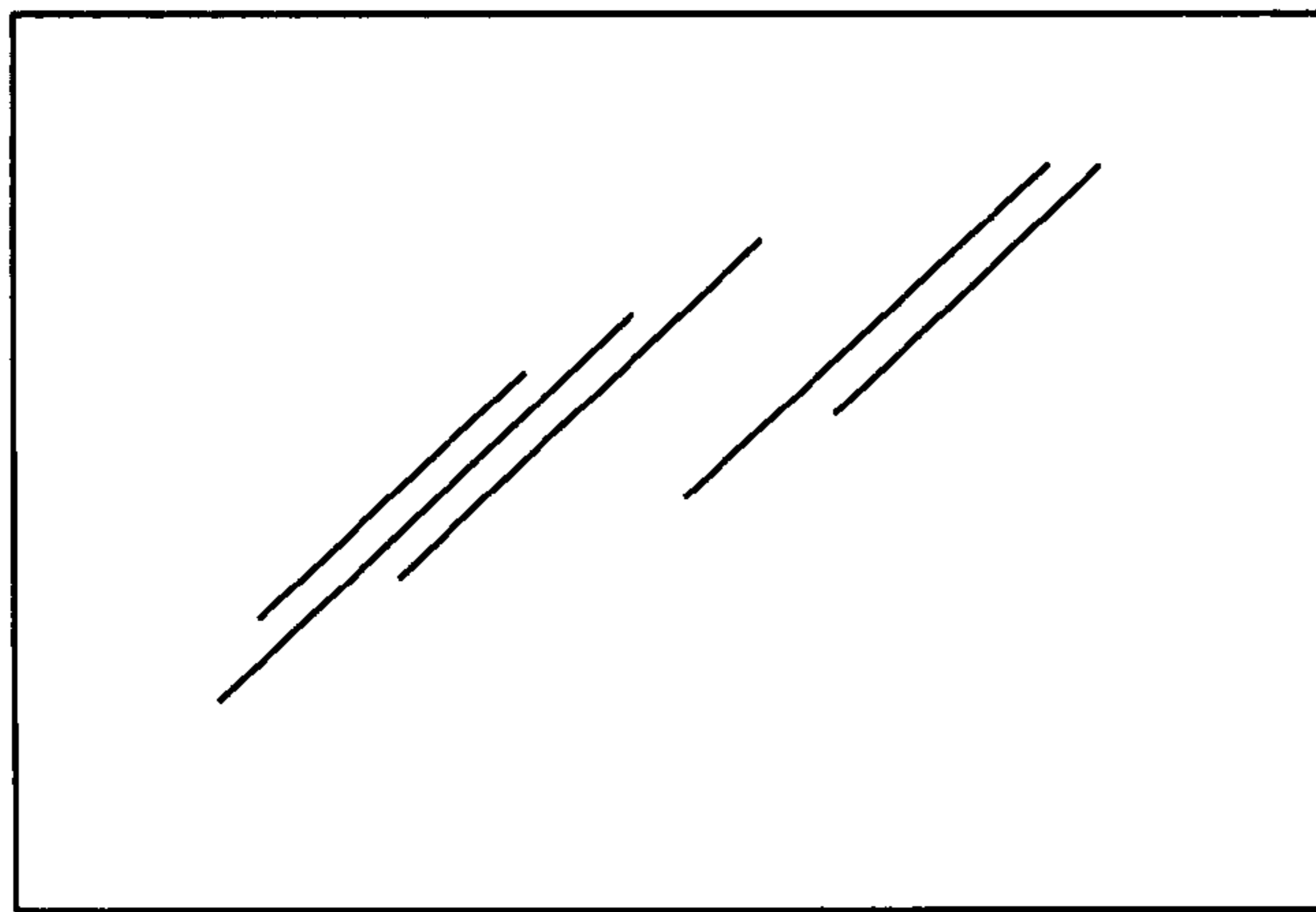


FIG. 3

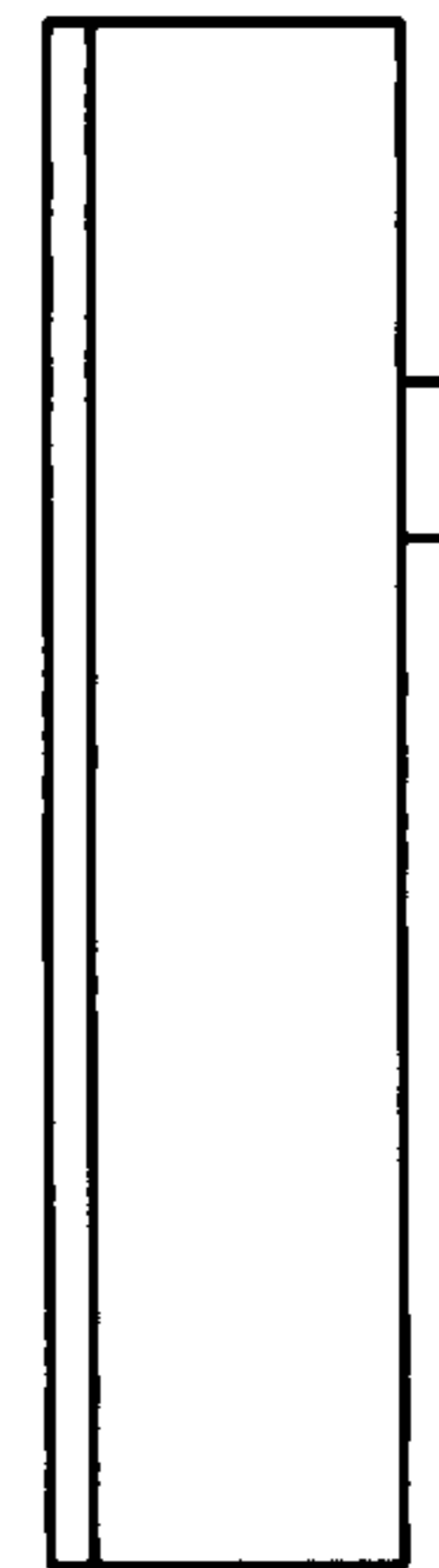


FIG. 4

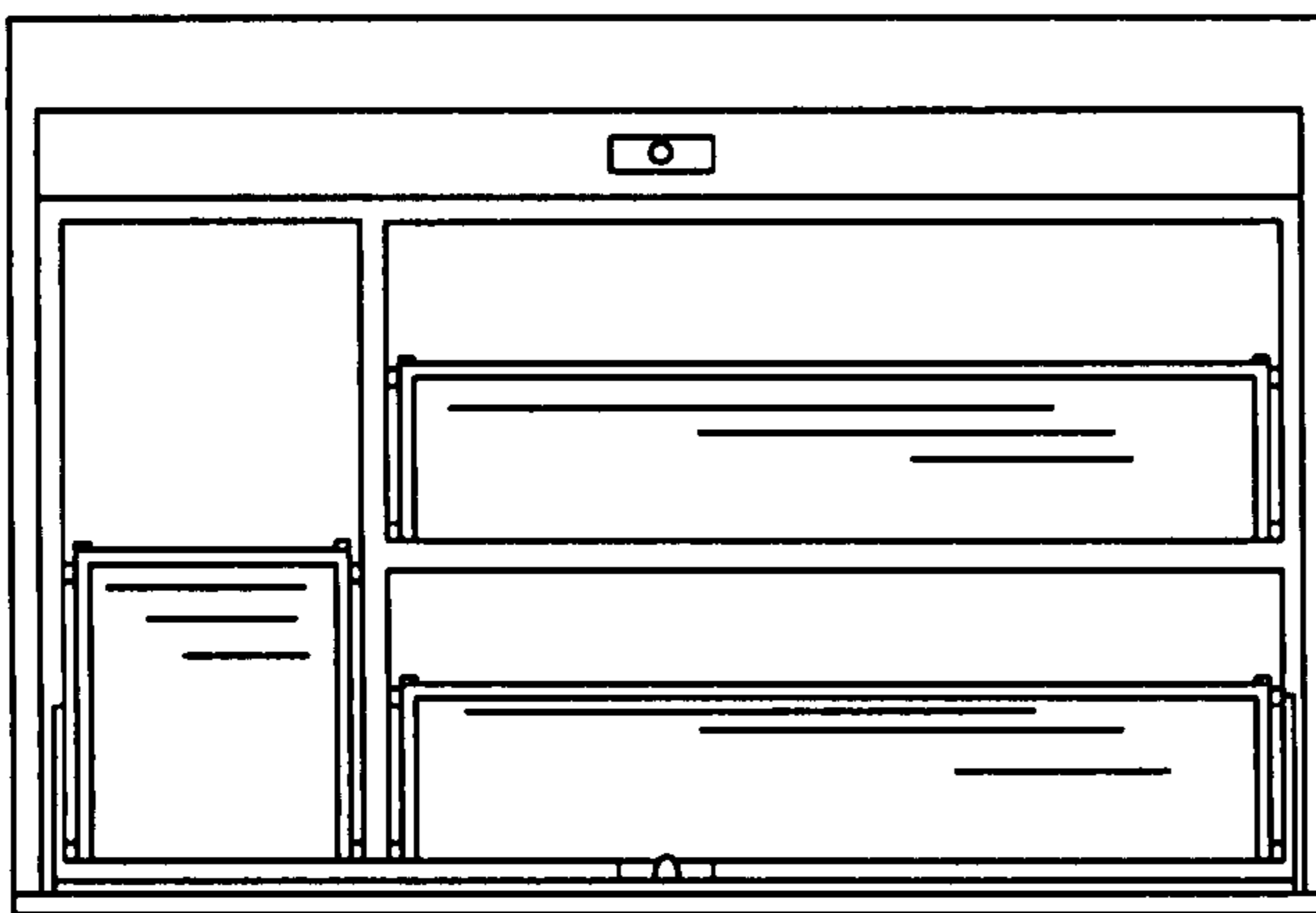


FIG. 5

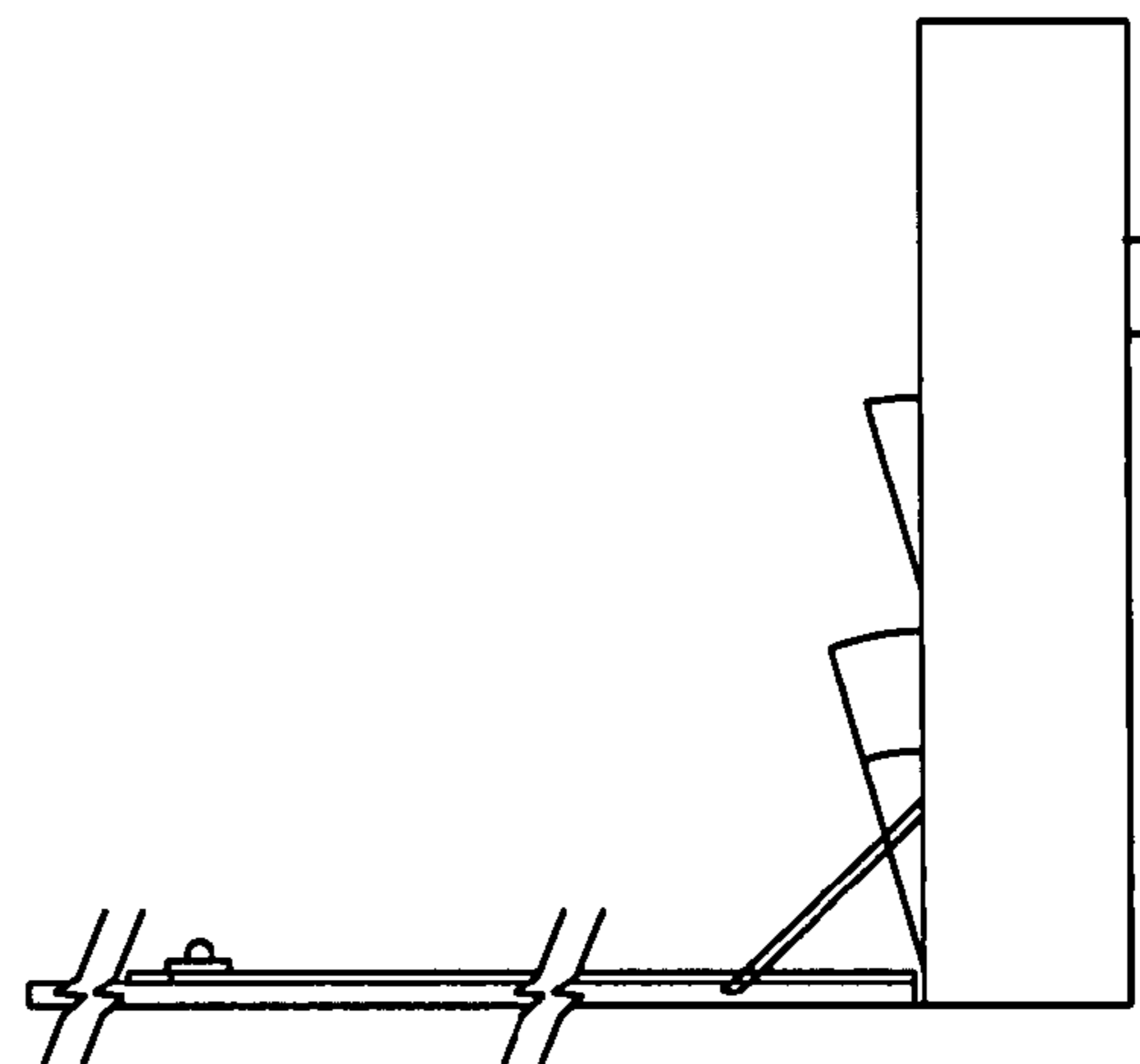


FIG. 6

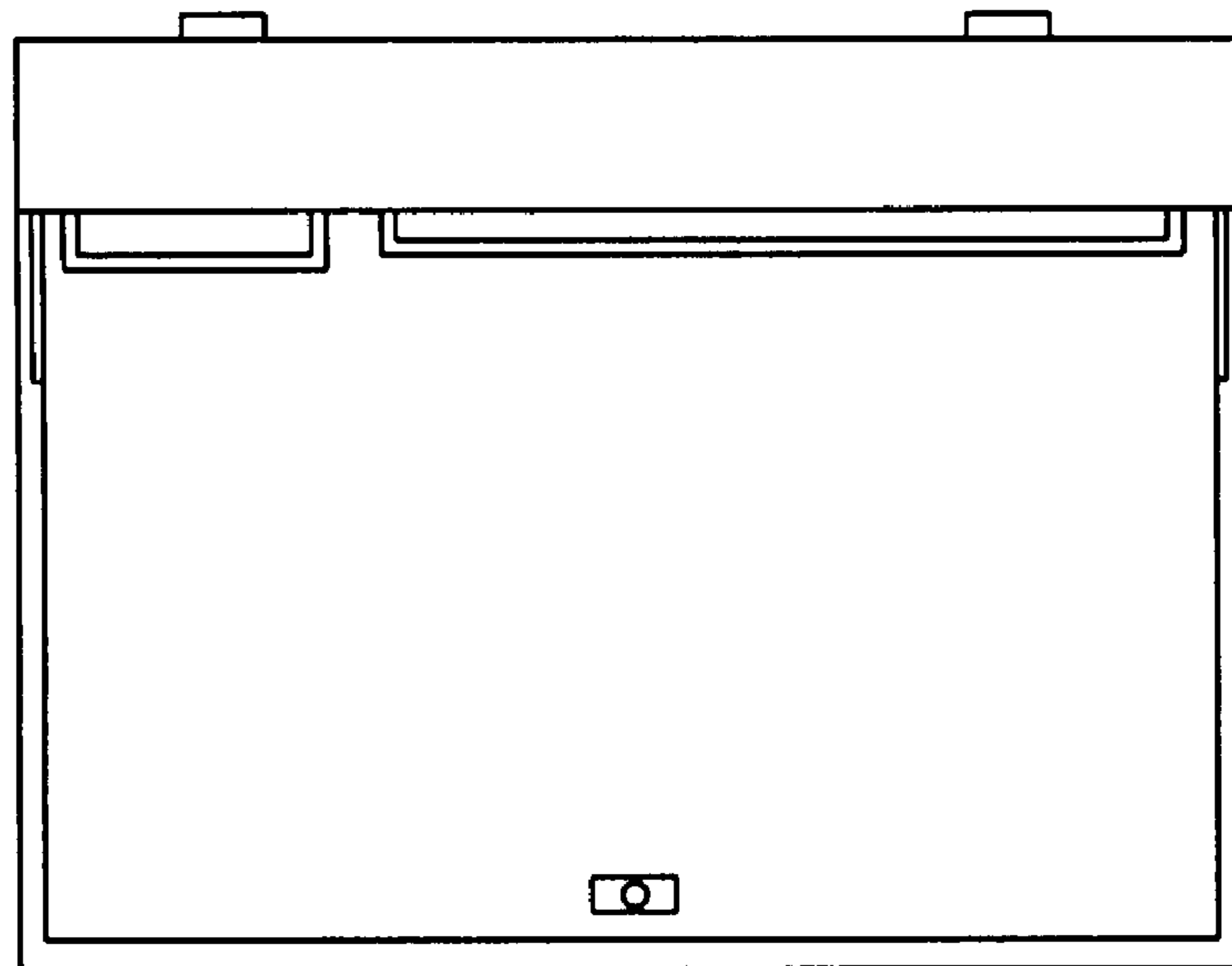


FIG. 7

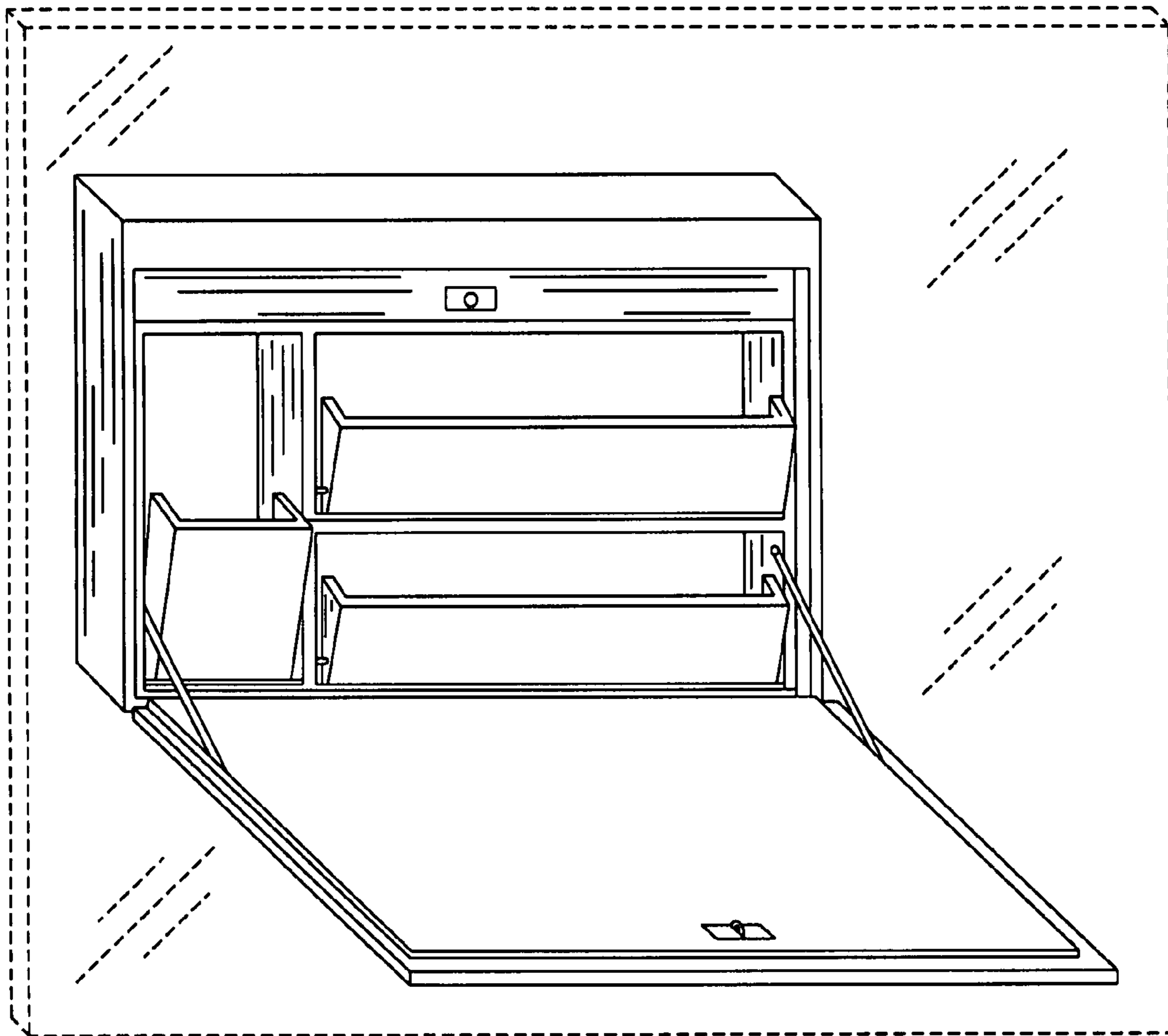


FIG. 8