



US00D982151S

(12) **United States Design Patent**
Habig et al.

(10) **Patent No.:** **US D982,151 S**

(45) **Date of Patent:** **** Mar. 28, 2023**

- (54) **CEILING FAN CAGE BAND**
- (71) Applicant: **HUNTER FAN COMPANY**,
Memphis, TN (US)
- (72) Inventors: **Dana Vajen Habig**, Cincinnati, OH
(US); **Claire Bernice McRoberts**, La
Jolla, CA (US)
- (73) Assignee: **Hunter Fan Company**, Memphis, TN
(US)
- (**) Term: **15 Years**

D104,060	S	*	4/1937	Budlong	D23/382
D128,142	S	*	7/1941	Moskowitz	D23/382
D129,362	S		9/1941	Pieper		
2,259,853	A		10/1941	Koch		
D134,758	S		1/1943	Fukal		
D183,855	S	*	11/1958	Moore	D23/382
D187,699	S		4/1960	van Rijn		
3,223,828	A		12/1965	Mast		
D240,231	S	*	6/1976	Patton	D23/382
4,064,427	A		12/1977	Hansen et al.		
D262,314	S	*	12/1981	Patton	D23/382
4,750,863	A		6/1988	Scoggins		
D315,404	S		3/1991	Dufour		

(Continued)

- (21) Appl. No.: **29/780,072**
- (22) Filed: **Apr. 22, 2021**

Related U.S. Application Data

- (60) Continuation of application No. 29/664,876, filed on
Sep. 28, 2018, now Pat. No. Des. 920,498, which is
a continuation of application No. 29/618,130, filed on
Sep. 19, 2017, now abandoned, which is a division of
application No. 29/557,344, filed on Mar. 8, 2016,
now Pat. No. Des. 804,645.

- (51) **LOC (14) Cl.** **23-03**
- (52) **U.S. Cl.**
USPC **D23/411**; D23/382
- (58) **Field of Classification Search**
USPC D23/370, 377, 379, 381-382, 385,
D23/411-414; D26/59
CPC F04D 25/088; F04D 29/38; F04D 29/384;
F04D 29/386; F21V 33/0096
See application file for complete search history.

References Cited

U.S. PATENT DOCUMENTS

D41,848	S	*	10/1911	Hirsch	D23/382
D45,313	S		2/1914	Schoenhardt		
D66,399	S	*	1/1925	Butterfield	D25/7
2,017,431	A		10/1935	Anderson et al.		

OTHER PUBLICATIONS

<http://www.homedepot.com/p/Designers-Choice-Collection-Enclave-23-in-Natural-Iron-Ceiling-Fan-AC17723-NI/203023308>, Item Specification for the Designers Choice Collection Enclave Model # AC17723-NI Internet # 203023308 Enclave 23 in. Natural Iron Ceiling Fan, accessed Mar. 8, 2016.

(Continued)

Primary Examiner — Sharon S Oum
(74) *Attorney, Agent, or Firm* — McGarry Bair PC

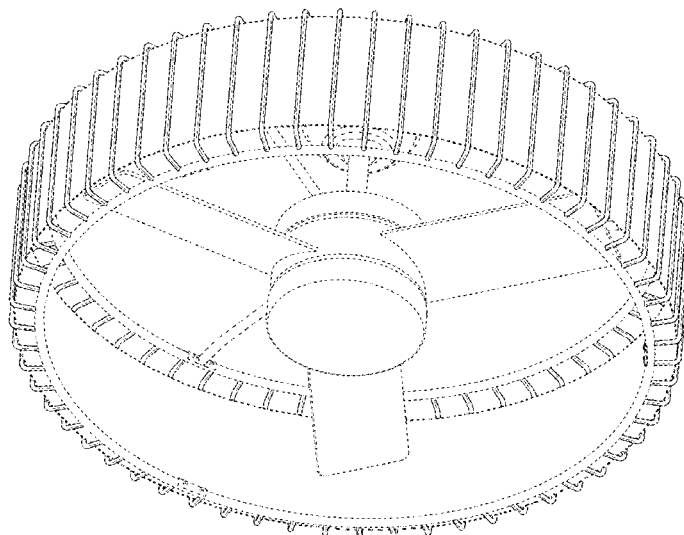
(57) **CLAIM**

The ornamental design for a ceiling fan cage band, as shown and described.

DESCRIPTION

FIG. 1 is a top perspective view of a ceiling fan cage band showing our new design, shown in the environment of a ceiling fan;
FIG. 2 is a bottom perspective view thereof;
FIG. 3 is a top view thereof;
FIG. 4 is a bottom view thereof; and,
FIG. 5 is a side view thereof.
The broken lines illustrate environmental structure and form no part of the claimed design.

1 Claim, 5 Drawing Sheets



(56)

References Cited

U.S. PATENT DOCUMENTS

D374,074 S 9/1996 Chen
 D397,584 S 9/1998 Vannello
 D408,905 S * 4/1999 Hadjikyriacou D23/382
 D438,950 S 3/2001 Frampton
 D439,697 S 4/2001 Bogazzi
 D448,841 S 10/2001 Campbell
 D453,960 S 2/2002 Shelby et al.
 D459,525 S 6/2002 Barry
 D482,112 S 11/2003 Miller
 D493,217 S * 7/2004 Spina D23/377
 D559,471 S 1/2008 Dye, Jr.
 D566,474 S * 4/2008 Ray D7/554.1
 D579,102 S 10/2008 Leung et al.
 D596,737 S 7/2009 Pan
 D599,471 S 9/2009 Borovicka et al.
 D605,333 S 12/2009 Miranda
 D606,233 S 12/2009 Benghozi
 D619,238 S 7/2010 Hidalgo
 D621,087 S 8/2010 Nagane et al.
 D632,003 S 2/2011 Jordan
 D635,237 S 3/2011 Fizer
 D643,957 S 8/2011 Verelst et al.
 D662,952 S 7/2012 Kirk et al.
 D671,633 S 11/2012 Glasbrenner
 D671,676 S 11/2012 Komarov et al.
 D676,543 S 2/2013 Hiner et al.
 D684,307 S 6/2013 Feller
 D686,771 S 7/2013 Lastimoso
 D687,533 S 8/2013 Tang et al.
 D698,914 S 2/2014 Love et al.
 D698,915 S 2/2014 Christopher et al.
 D698,983 S 2/2014 Rampolla et al.
 D703,805 S 4/2014 Masciarella et al.
 D715,904 S 10/2014 Tate et al.
 D728,842 S 5/2015 Arola Ferrer
 D743,522 S 11/2015 Pan
 D771,235 S 11/2016 Hoff et al.
 D775,321 S 12/2016 Haaf et al.
 D777,312 S 1/2017 Badarello et al.
 D779,049 S 2/2017 Wang
 D789,507 S * 6/2017 Badarello D23/377
 D804,645 S * 12/2017 Habig D23/377
 D814,877 S 4/2018 Schiller et al.
 D873,469 S 1/2020 Nielsen
 D882,060 S * 4/2020 Wang D23/382
 D889,632 S * 7/2020 Ediger D23/412
 D896,949 S * 9/2020 Wang D23/411
 D907,756 S * 1/2021 Birchler D23/377
 D920,498 S * 5/2021 Habig D23/411

D945,595 S * 3/2022 Biancuzzo D23/382
 D952,121 S * 5/2022 He D23/382
 D952,123 S * 5/2022 Searle D23/382
 D957,614 S * 7/2022 Keepers D23/382
 D963,832 S * 9/2022 Yang D23/382
 2007/0247854 A1 10/2007 Lin
 2008/0107529 A1 5/2008 Friedman
 2009/0072108 A1 3/2009 Oleson
 2011/0165002 A1 7/2011 Noble
 2015/0308440 A1 10/2015 Yang
 2016/0341498 A1 11/2016 Lynn et al.
 2016/0363313 A1 12/2016 Wang
 2017/0198700 A1 7/2017 Almishari

OTHER PUBLICATIONS

<http://www.montecarlofans.com/33328/20-Brighton-Court---Oil-Rubbed-Bronze-5BCTR20OZ.html>, Item Specification for the Monte Carlo Brighton Court Collection Product#: 5BCTR20OZ, accessed Mar. 8, 2016.

<http://www.menards.com/main/lighting-fans/kitchen-lighting-ceiling-fans/residential-fans/turn-of-the-century-athens-21-in-new-bronze-ceiling-fan/p-2236468-c-14295.htm?tid=8790705480120437765>, Item Specification for the Turn of the Century Athens 21" New Bronze Ceiling Fan Model No. fn7045nz Menards® SKU: 3557045, accessed Mar. 8, 2016.

Hunter 59255 30" Vault Ceiling Fan with Handheld Remote, date first available Feb. 29, 2016, amazon.com, site visited Mar. 30, 2017, Copyright© 1996-2017, https://www.amazon.com/Hunter-59255-Ceiling-Handheld-Remote/dp/B01CDGOJ8Q/ref=sr_1_1?ie=UTF8&qid=1504124734&sr=8-1&keywords=hunter+ceiling+fan+vault.

Fonderie 16" Wide Rusty Bronze Foyer Pendant, date first available Apr. 20, 2017, amazon.com, site visited Sep. 1, 2017, Copyright© 1996-2017, https://www.amazon.com/Fonderie-Rusty-Bronze-Foyer-Pendant/dp/B01HSOE11O/ref=sr_1_21?ie=UTF8&qid=1504299171&sr=8-21&keywords=cage+drum+fixture.

Kendal Lighting AC17723-NI Enclave 23-Inch Ceiling Fan, date first available Jul. 29, 2011, amazon.com, site visited Sep. 1, 2017, Copyright© 1996-2017, https://www.amazon.com/Kendal-Lighting-AC-17723-N-I-Enclave-Integrated/dp/B007VJ1250/ref=sr_1_22?ie=UTF8&qid=1504299370&sr=8-22&keywords=cage+drum+fixture.

Fanimation Beckwith, date first available Jul. 12, 2013, amazon.com, site visited Sep. 1, 2017, Copyright© 1996-2017, https://www.amazon.com/Fanimation-Beckwith-Brushed-Frosted-FP7964BN/dp/BOOEQ4TV6Nref=pd_sbs_60_7?encoding=UTF8&psc=1&refRID=Y9T28JTKTG8AQXVK2STE.

* cited by examiner

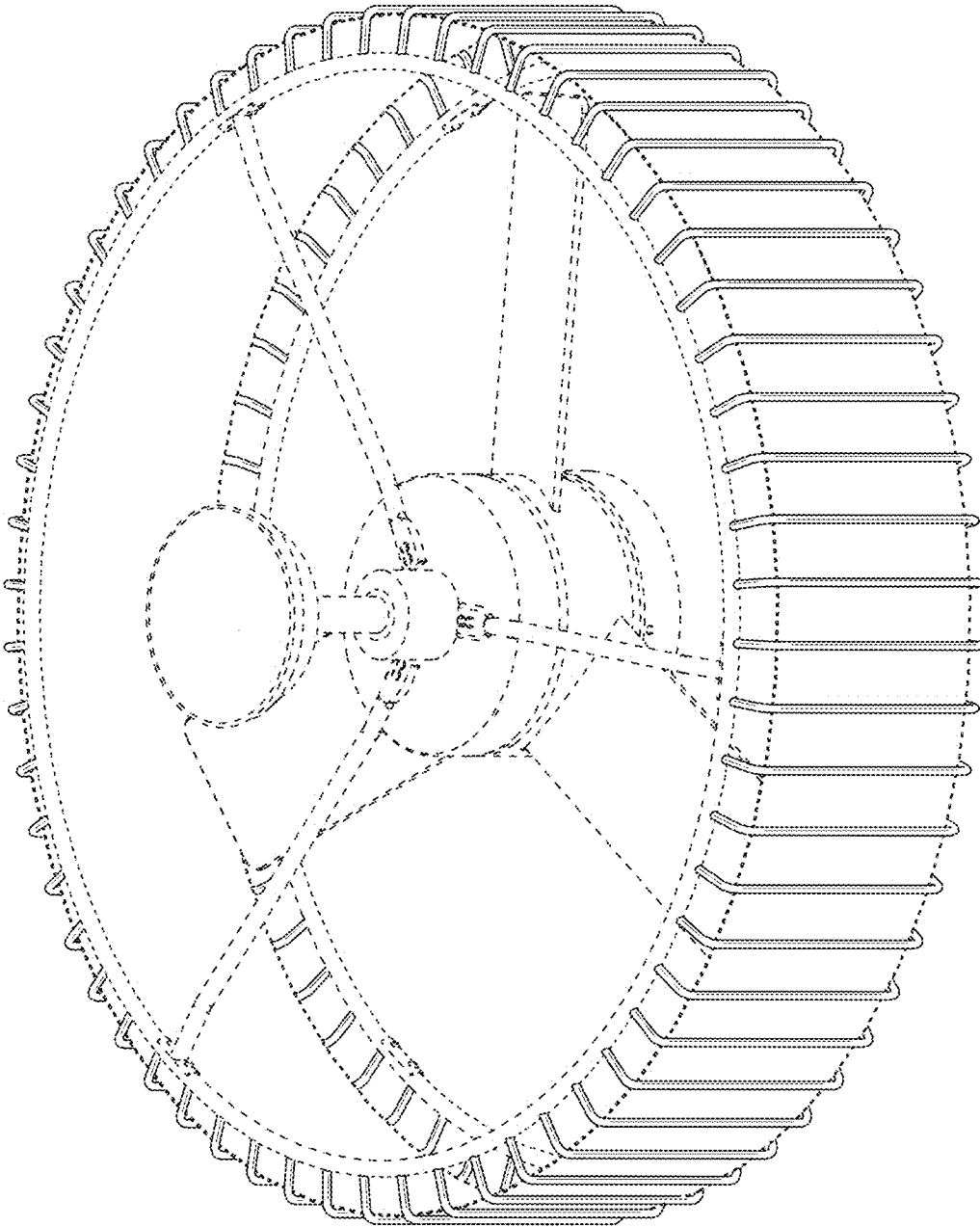


FIG. 1

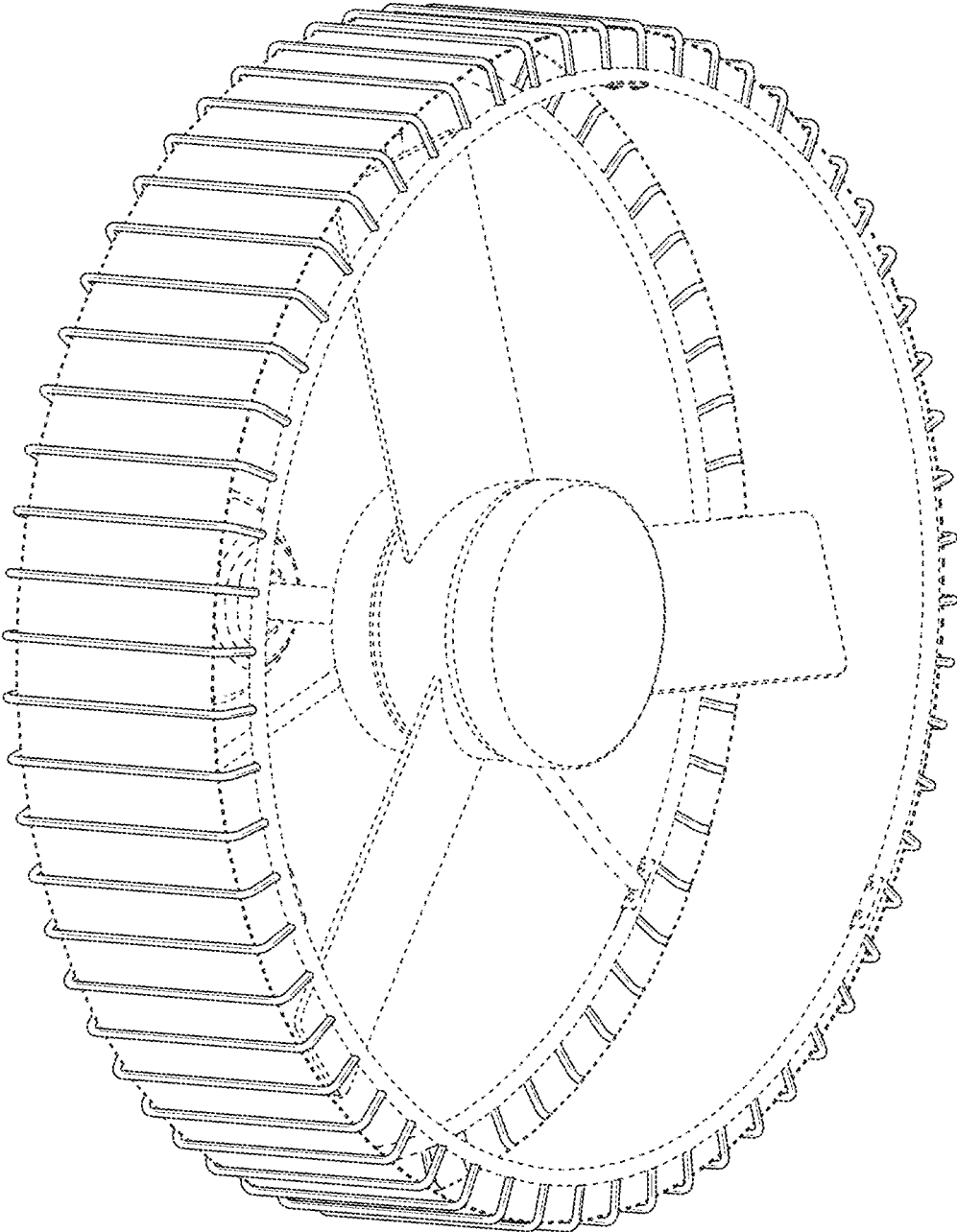


FIG. 2

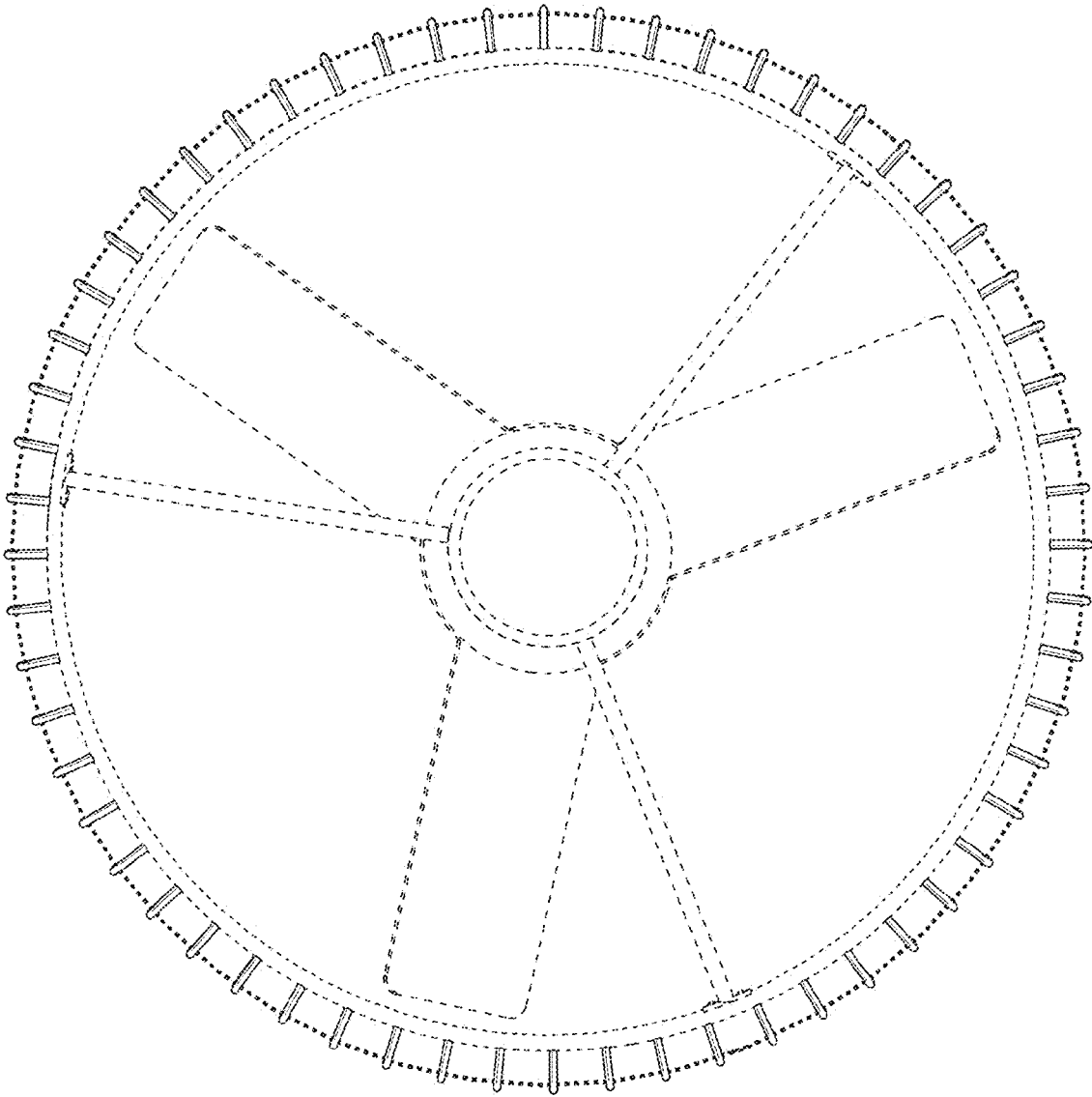


FIG. 3

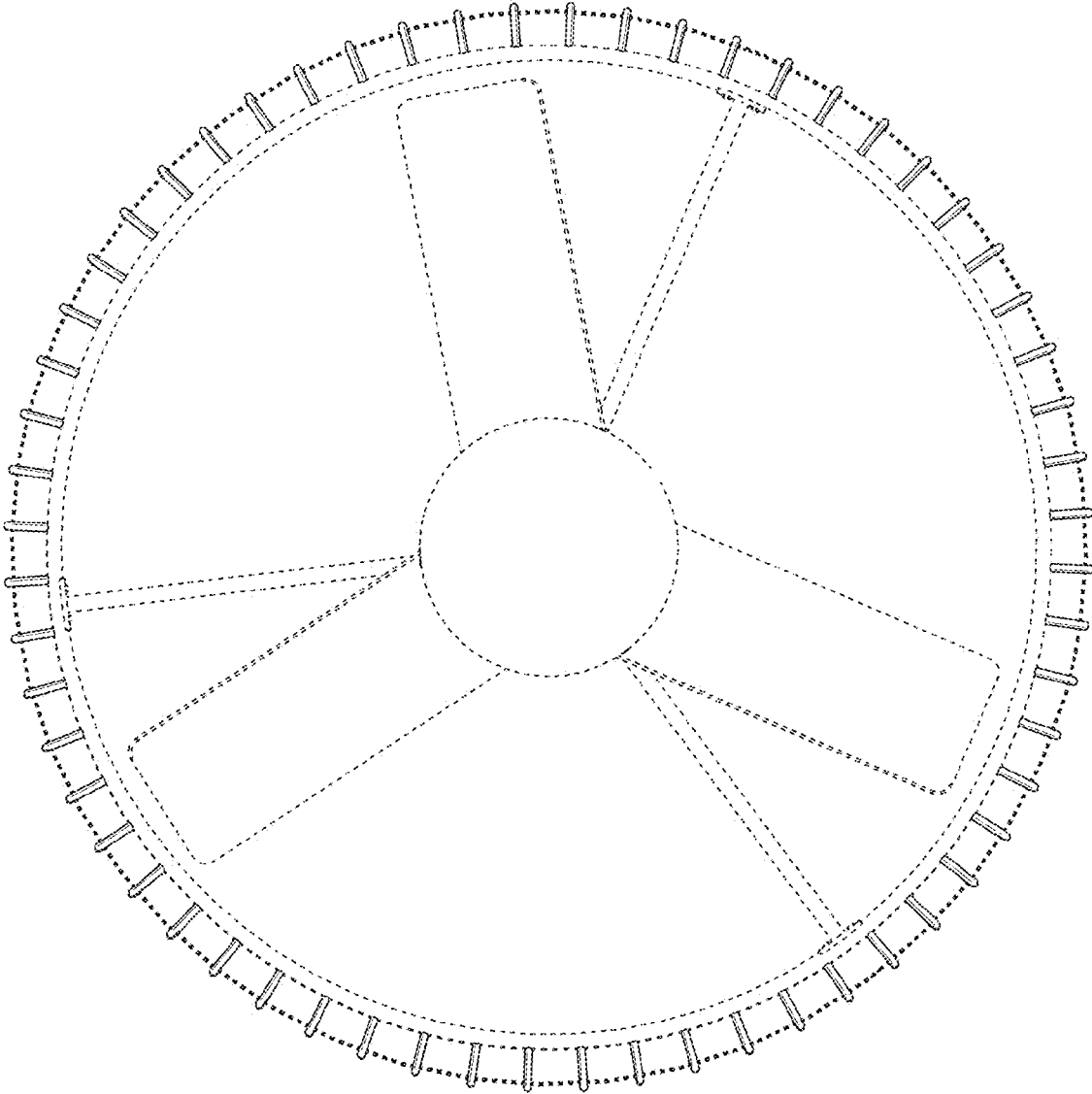


FIG. 4

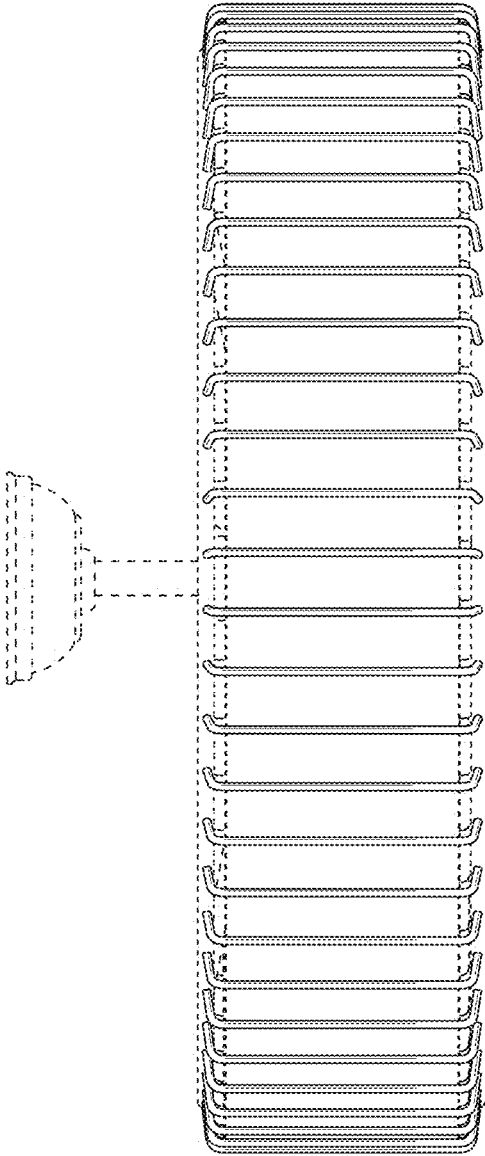


FIG. 5