



(12) **United States Design Patent**
Morgan

(10) **Patent No.:** **US D1,032,146 S**
(45) **Date of Patent:** **** *Jun. 25, 2024**

(54) **GARMENT WITH CLOSURE**

(71) Applicant: **Mollusca Atelier LLC**, Atlanta, GA (US)

(72) Inventor: **Toby K. L. Morgan**, Atlanta, GA (US)

(73) Assignee: **Mollusca Atelier LLC**, Atlanta, GA (US)

(*) Notice: This patent is subject to a terminal disclaimer.

(**) Term: **15 Years**

(21) Appl. No.: **29/816,817**

(22) Filed: **Nov. 24, 2021**

(51) **LOC (14) Cl.** **02-02**

(52) **U.S. Cl.**
USPC **D2/728; D2/700**

(58) **Field of Classification Search**
USPC D2/742, 743, 744, 746, 747, 748, 700,
D2/712, 713, 714, 715, 716, 728, 731,
D2/732, 733, 734, 735, 736, 737, 738
(Continued)

(56) **References Cited**

U.S. PATENT DOCUMENTS

1,083,712 A 1/1914 Uyeda
2,319,292 A 5/1943 Boggs
(Continued)

FOREIGN PATENT DOCUMENTS

CN 306416171 * 3/2021
EP 3143885 A1 3/2017
WO 2014164411 A1 10/2014

OTHER PUBLICATIONS

Melissa Smooth Stretch Scoop Neck, [online]; [published to the internet date unknown]; [retrieved from the internet on Aug. 16,

2023]; URL: (not shown on attached PDF)https://shoplusca.com/collections/inaguration/products/melissa. (13 pages). (Year: 2023).*

(Continued)

Primary Examiner — Jasmine Mlinarcik
Assistant Examiner — James P McKane
(74) *Attorney, Agent, or Firm* — Meunier Carlin & Curfman LLC

(57) **CLAIM**

The ornamental design for a garment with closure, as shown and described.

DESCRIPTION

FIG. 1 is a front perspective view of my new design in a closed configuration.

FIG. 2 is a front view of my new design shown in FIG. 1.

FIG. 3 is a rear view of my new design shown in FIG. 1.

FIG. 4 is a left side view of my new design shown in FIG. 1.

FIG. 5 is a right side view of my new design shown in FIG. 1.

FIG. 6 is a top view of my new design shown in FIG. 1.

FIG. 7 is bottom view of my new design shown in FIG. 1.

FIG. 8 is a detailed view of the encircled portion 8 shown in FIG. 1.

FIG. 9 is a front perspective view of my new design shown in FIG. 1 in an open configuration.

FIG. 10 is a front view of my new design shown in FIG. 9.

FIG. 11 is a rear view of my new design shown in FIG. 9.

FIG. 12 is a left side view of my new design shown in FIG. 9.

FIG. 13 is a right side view of my new design shown in FIG. 9.

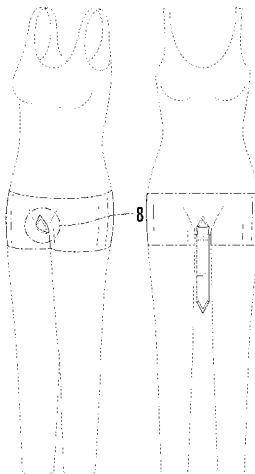
FIG. 14 is a top view of my new design shown in FIG. 9.

FIG. 15 is bottom view of my new design shown in FIG. 9; and,

FIG. 16 is a detailed view of the encircled portion 16 shown in FIG. 9.

The short, broken lines showing elements of the garment with closure in the drawings illustrate features of the article of manufacture that form no part of the claimed design.

(Continued)



The dash-dot-dash broken lines adjacent to the unshaded regions of the garment define the bounds of the claimed design and form no part of the claimed design. The dash-dot-dash broken lines associated with the enlarged detail views define the bounds of the enlarged detail views and form no part of the claimed design.

1 Claim, 10 Drawing Sheets

(58) **Field of Classification Search**

CPC A41D 1/06; A41D 1/062; A41D 1/065;
 A41D 1/067; A41D 1/08; A41D 1/082;
 A41D 1/084; A41D 1/085; A41D 1/088;
 A41D 1/089; A41D 13/02; A41D 13/04;
 A41D 2600/00; A41D 2600/10; A41B
 9/00; A41B 9/001; A41B 9/004; A41B
 9/005; A41B 9/007

See application file for complete search history.

(56) **References Cited**

U.S. PATENT DOCUMENTS

| | | | | |
|--------------|------|---------|---------------------|---------------------|
| 2,548,660 | A | 4/1951 | Feldman | |
| 2,617,101 | A | 11/1952 | Weintraub | |
| 2,638,900 | A | 5/1953 | Leo et al. | |
| 2,661,002 | A | 12/1953 | Silverman | |
| 3,140,718 | A | 7/1964 | Farkas | |
| 3,161,932 | A | 12/1964 | Russell | |
| 3,279,469 | A | 10/1966 | Schustack | |
| 3,503,405 | A | 3/1970 | Porco | |
| 3,827,019 | A | 7/1974 | Serbu | |
| 3,974,836 | A | 8/1976 | Carlson | |
| 4,597,110 | A | 7/1986 | Smith, Sr. et al. | |
| 4,637,078 | A | 1/1987 | Southwell | |
| 4,835,795 | A | 6/1989 | Lonon | |
| 4,961,234 | A * | 10/1990 | Leibman | A41D 1/06 2/408 |
| 5,086,519 | A | 2/1992 | Rokasky | |
| 6,050,931 | A | 4/2000 | Russell | |
| 6,243,871 | B1 | 6/2001 | Fidler | |
| 6,301,754 | B1 | 10/2001 | Grunberger et al. | |
| 6,324,699 | B1 | 12/2001 | Cosmah | |
| 6,412,116 | B1 | 7/2002 | Clark | |
| 6,412,119 | B1 | 7/2002 | Robles | |
| 7,032,249 | B2 | 4/2006 | Smith | |
| D595,030 | S * | 6/2009 | Spellman | D2/745 |
| D603,582 | S | 11/2009 | Fennell | |
| 8,555,422 | B2 | 10/2013 | Steele | |
| 8,695,194 | B2 | 4/2014 | Kress et al. | |
| 9,089,173 | B2 * | 7/2015 | Krishnan | A41F 9/00 |
| 9,721,712 | B2 | 8/2017 | Provencher | |
| 9,750,287 | B2 | 9/2017 | Cohen Larren et al. | |
| 9,966,174 | B2 | 5/2018 | Naftali et al. | |
| D827,980 | S * | 9/2018 | Slater | D2/731 |
| 10,433,592 | B2 | 10/2019 | Olshansky | |
| 10,709,177 | B2 * | 7/2020 | Shoemaker | A41B 9/04 |
| 10,779,592 | B2 | 9/2020 | Horton | |
| 10,856,594 | B2 | 12/2020 | Smith, IV et al. | |
| 11,270,823 | B2 | 3/2022 | Naftali et al. | |
| 11,357,265 | B2 | 6/2022 | Hanson Allen | |
| D958,490 | S * | 7/2022 | Pal | D2/712 |
| D969,452 | S * | 11/2022 | Miles | A61F 7/02 D2/731 |
| 11,517,055 | B1 * | 12/2022 | Cristiano | A41B 9/002 |
| 11,598,146 | B2 | 3/2023 | Conboy | |
| 2002/0178551 | A1 | 12/2002 | Hsu | |
| 2006/0006969 | A1 | 1/2006 | Cassar | |
| 2006/0277649 | A1 | 12/2006 | Smith | |

| | | | | |
|--------------|------|---------|-------------------|---------------------|
| 2009/0118574 | A1 * | 5/2009 | Stephenson | A41B 9/04 600/38 |
| 2009/0178245 | A1 | 7/2009 | Albert | |
| 2009/0320184 | A1 | 12/2009 | Schaefer | |
| 2011/0016604 | A1 * | 1/2011 | Lim | A41B 9/007 2/400 |
| 2013/0061431 | A1 | 3/2013 | Naftali et al. | |
| 2014/0259266 | A1 | 9/2014 | Federlin | |
| 2016/0143373 | A1 | 5/2016 | Castellano et al. | |
| 2016/0307680 | A1 | 10/2016 | Provencher | |
| 2017/0119066 | A1 | 5/2017 | Robinson | |
| 2018/0228665 | A1 * | 8/2018 | Relekar | A41B 9/04 |
| 2019/0110527 | A1 | 4/2019 | Ghasletwala | |
| 2020/0345079 | A1 | 11/2020 | Gianguaspro | |
| 2021/0076751 | A1 | 3/2021 | Dubose | |
| 2022/0211121 | A1 * | 7/2022 | Tennessee | A41D 1/065 |
| 2022/0273048 | A1 * | 9/2022 | Morgan | A41B 9/005 |
| 2022/0386723 | A1 * | 12/2022 | Bäck | A61F 13/49011 |

OTHER PUBLICATIONS

Joy smooth stretch crew neck full, [online]; [published to the internet date unknown]; [retrieved from the internet on Aug. 16, 2023]; URL: (not shown on attached PDF) <https://shoplusca.com/collections/inaguration/products/joy>. (7 pages). (Year: 2023).*

Nebility Womens' Waist Trainer Seamless Shapewear Bodysuit, [online]; [published to the internet on Feb. 15, 2020]; [retrieved from the internet on Aug. 16, 2023]; URL: https://www.amazon.com/Nebility-Bodysuit-Shapewear-Seamless-Jumpsuits/dp/B07ZLNCTGC?ref=ast_sto_dp&th=1&psc=1. (7 pages). (Year: 2020).*

Boys' Adaptive Hooded Adjustable Bodysuit, [online]; [review published to the internet on approximately Aug. 16, 2020]; [retrieved from the internet on Aug. 16, 2023]; URL: https://www.target.com/p/boys-39-adaptive-hooded-adjustable-bodysuit-cat-38-jack-8482-burgundy-l/-/A-79612840?ref=tgt_adv_xsp&AFID=google&fn (7 pages). (Year: 2020).*

Shein Unity Solid Cami Bodysuit. SKU: swbodysui07190705527. Available online at: https://www.shein.com.mx/SHEIN-Unity-Solid-Cheeky-Cami-Bodysuit-p-787185-cat-1882.html?src_id=st%3D2%60sc%3Dunity%20body%20casual%20mangas%60sr%3D0%60psoSTINAL%3DI&src_module=search&src_tab_page_id=page_search1677861265551&mallCode=1.

Shein EZwear Body unicolor tejido de canalé. SKU: sw2107132912538242 Aug. 21, 2021. Available online at: <https://www.shein.com.mx/SHEIN-Solid-Ribbed-Knit-Bodysuit-p-3560621-cat-1882.html?mallCode=1>.

Breathable Bodysuit Women Long Sleeves Trim Body Shapewear Lingerie Hooks Basic Tummy Control Clothing. Publication Date: Aug. 11, 2020. Published online at: <https://www.amazon.ca/Breathable-Bodysuit-Shapewear-Lingerie-Clothing/dp/B08DL9WQJX>. Manufactured by Sivane and listed on Amazon.ca.

United Kingdom Design Registration No. 6132060 to Alicia Amber Hassan. Filed Apr. 20, 2021. Registered Apr. 20, 2021.

Croatian Registered Design No. M990072 to Borkica Pavec. Filed Apr. 8, 1999. Application published Apr. 30, 2001. Registered Oct. 15, 2001. Registration published Oct. 31, 2001.

Jan. 16, 2023 Notification of Refusal issued by Canadian Intellectual Property Office for Canadian Application No. 209203 based on International Design Registration No. DM/217941.

Mar. 7, 2023 Notification of Total Refusal issued by Mexican Institute of Industrial Property Office for Mexican Application No. MX/f/2022/000674 based on International Design Registration No. DM/217941.

Petals Panties Product Information, Lady Hike Products, 4 pages, accessed on Jun. 16, 2022, at <https://www.ladyhike.com/products/petals-pantease-black-satin-woven-waistband>.

Office Action issued for U.S. Appl. No. 17/682,597, dated May 31, 2023.

* cited by examiner

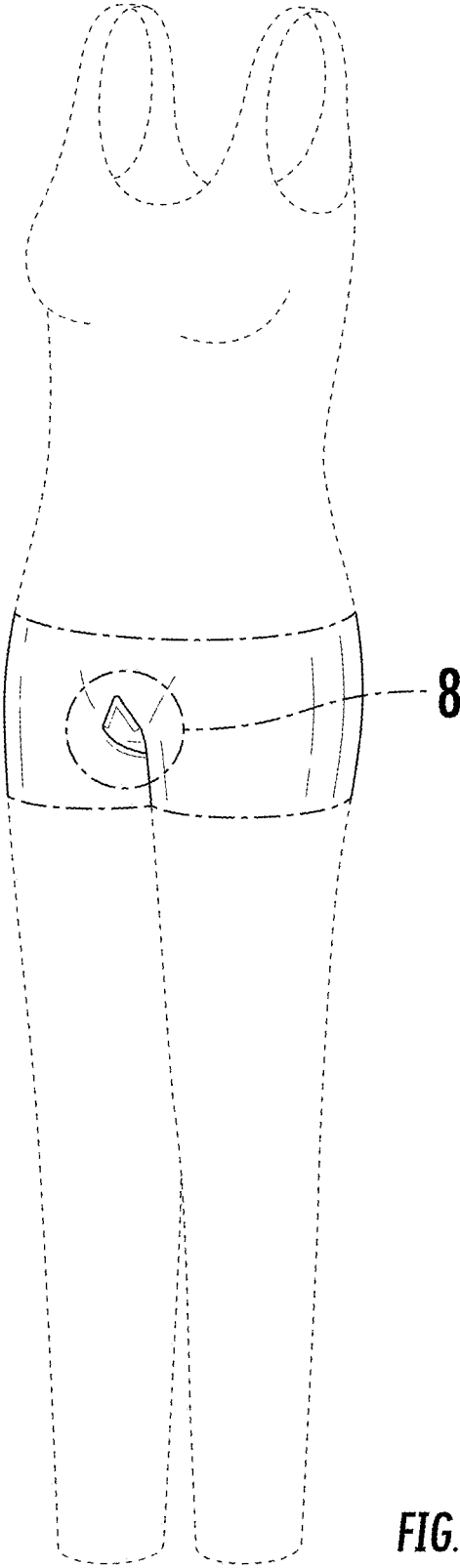


FIG. 1

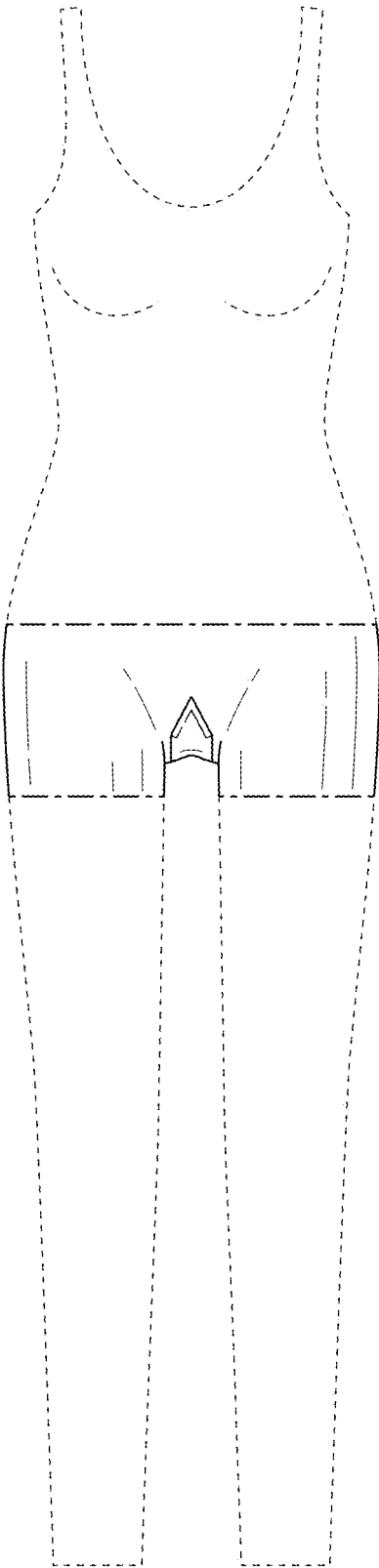


FIG. 2

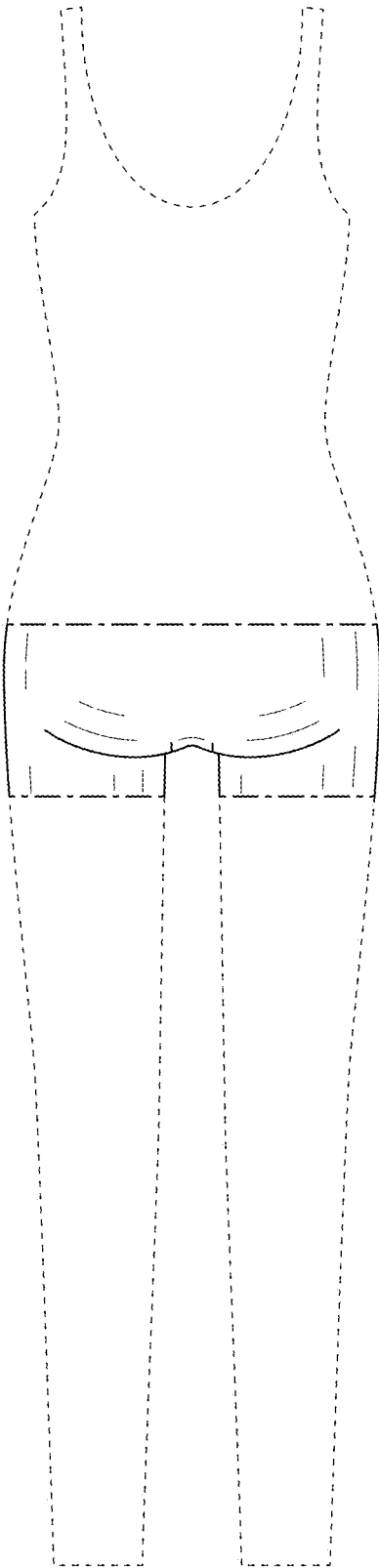


FIG. 3

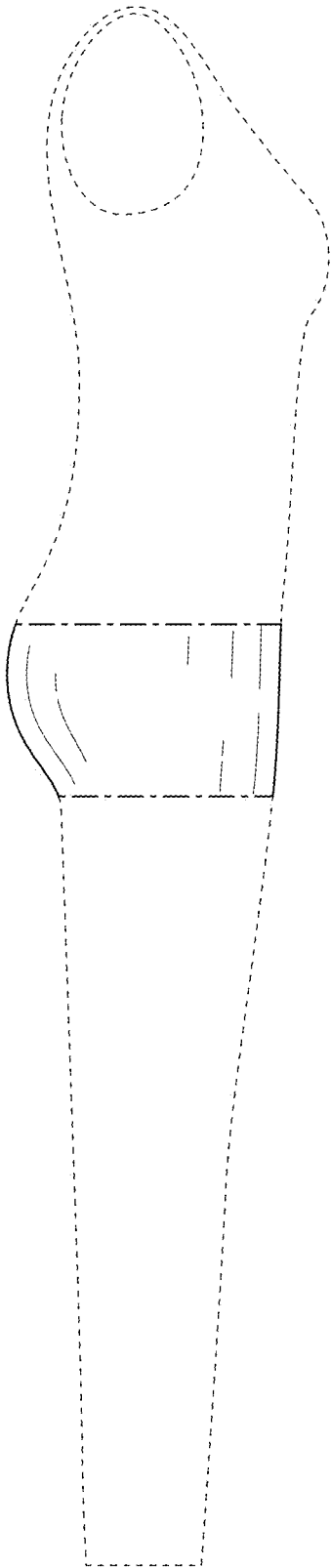


FIG. 4

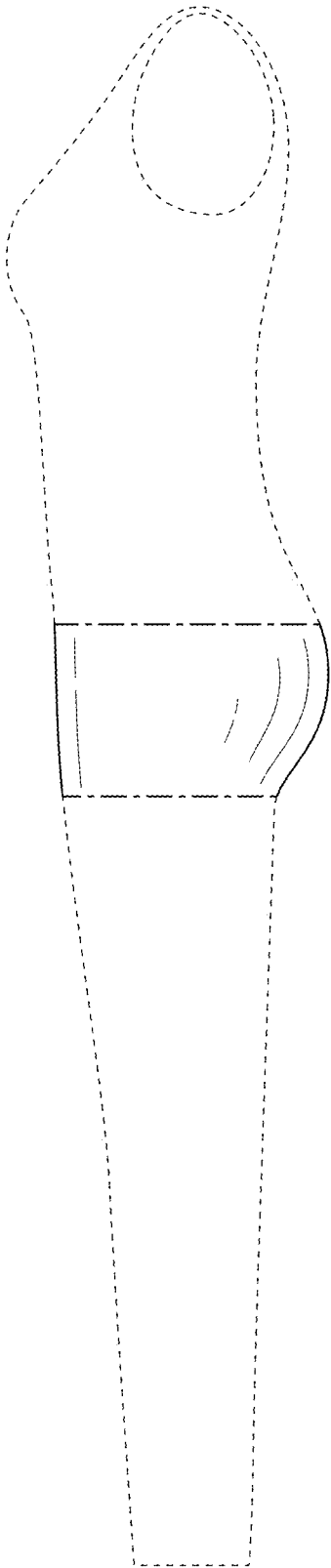


FIG. 5

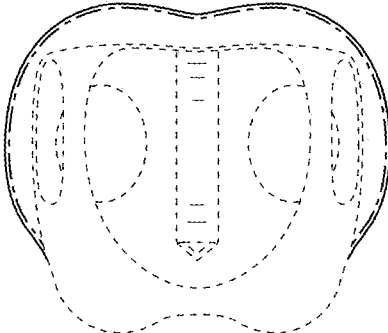


FIG. 6

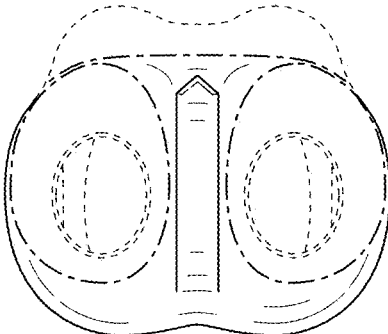


FIG. 7



FIG. 8

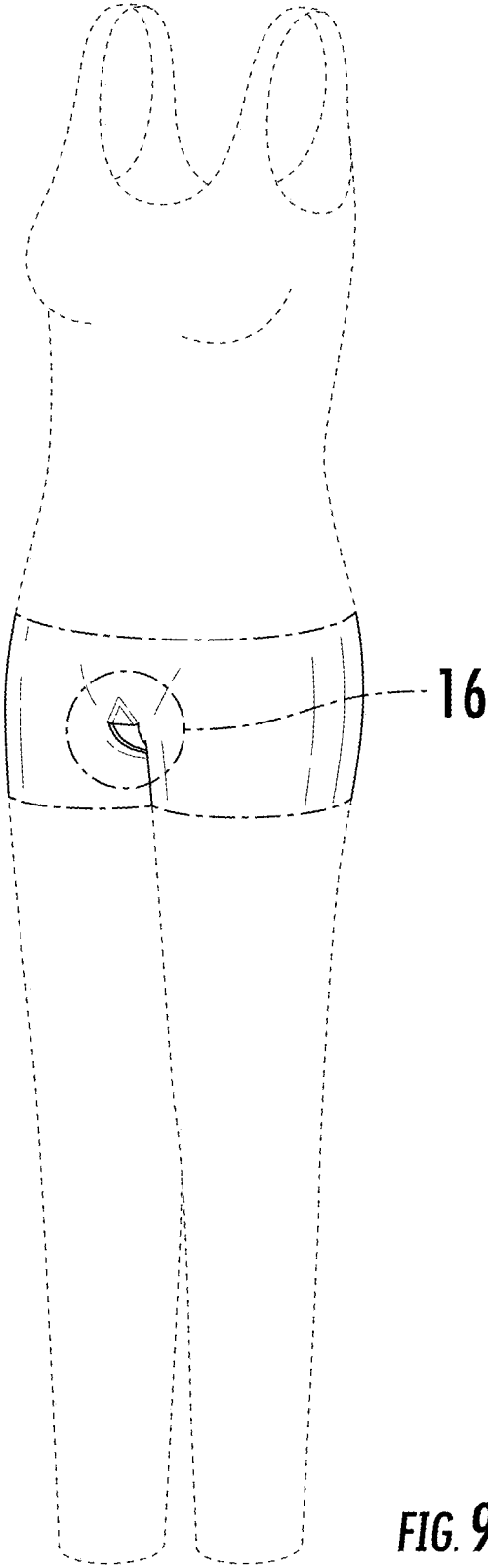


FIG. 9

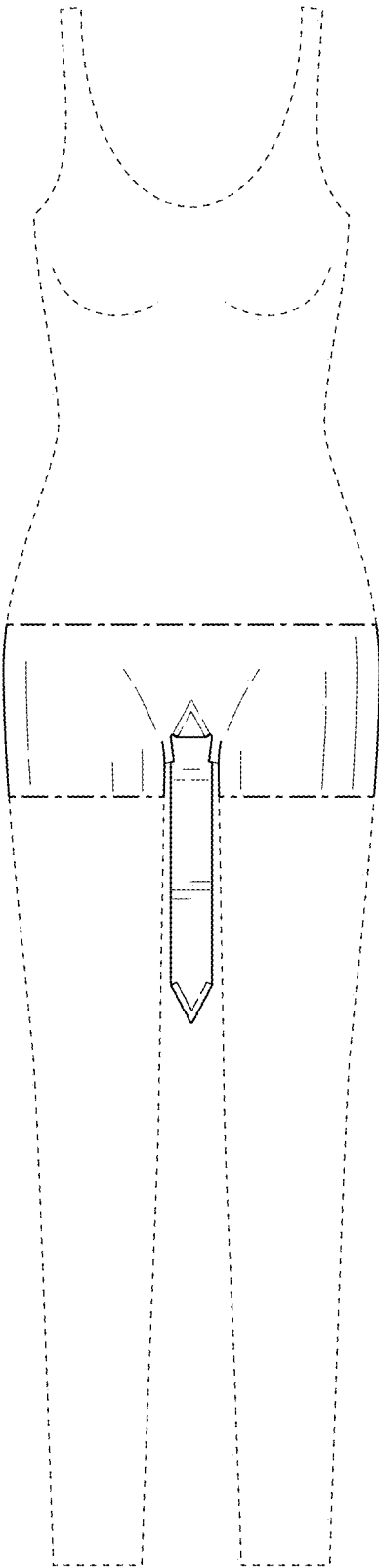


FIG. 10

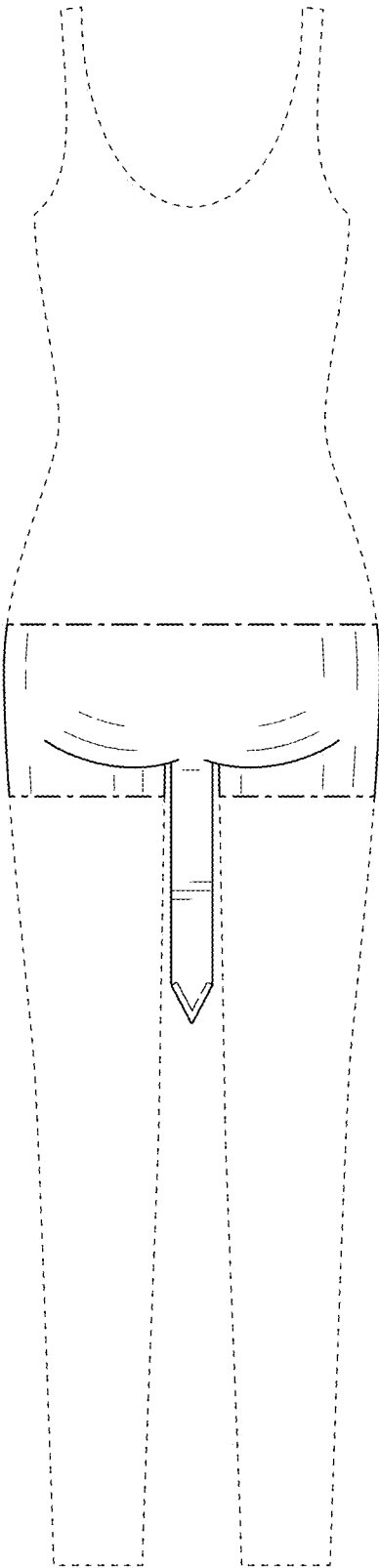


FIG. 11

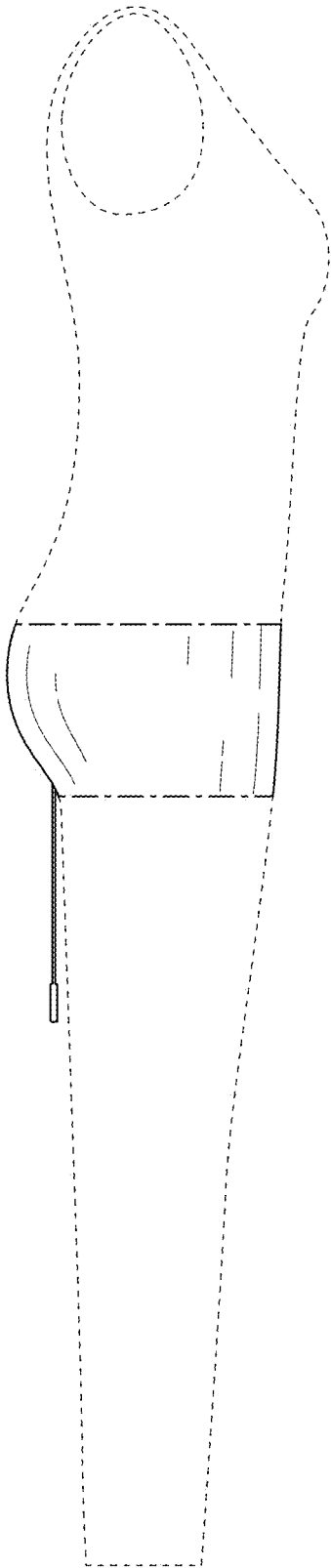


FIG. 12

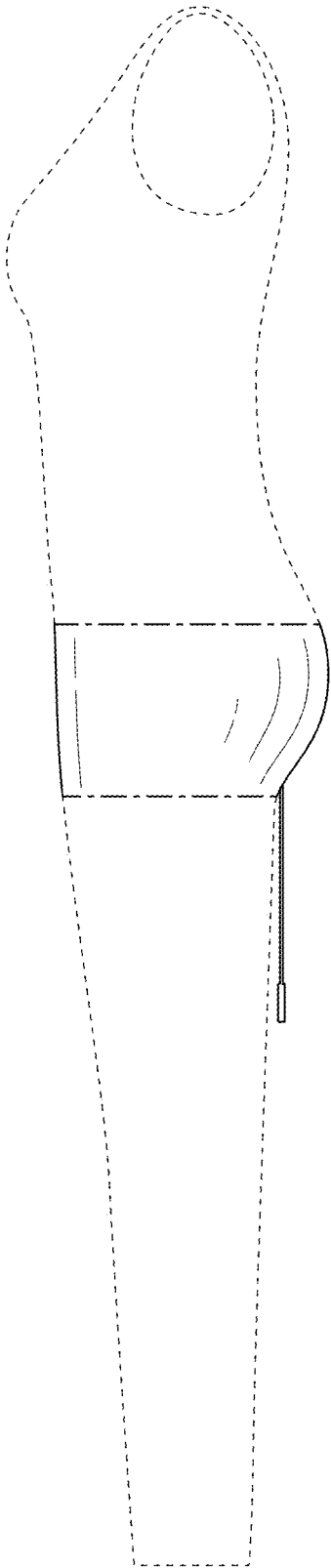


FIG. 13

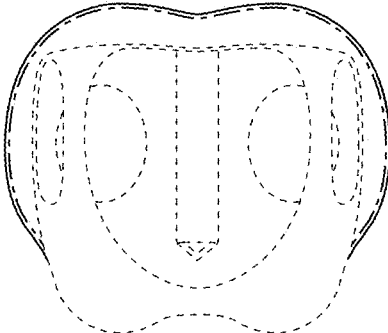


FIG. 14

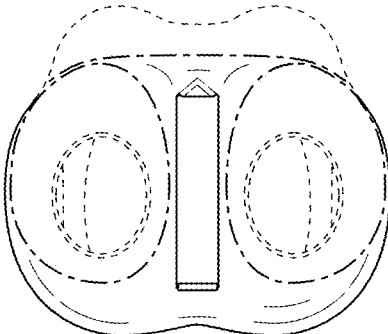


FIG. 15

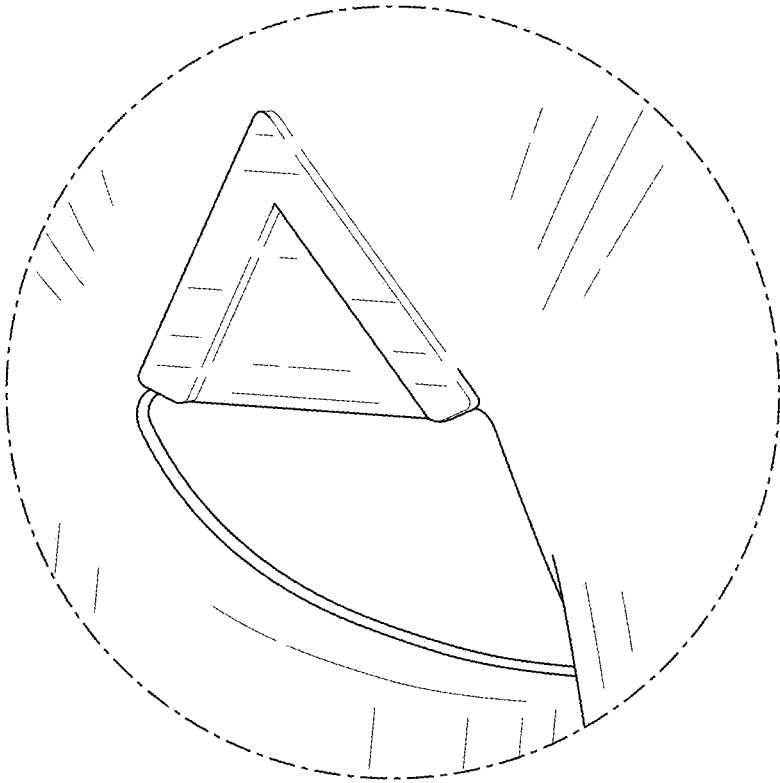


FIG. 16