



(12) **United States Design Patent**  
**Katopis**

(10) **Patent No.:** **US D874,274 S**  
(45) **Date of Patent:** **\*\* Feb. 4, 2020**

(54) **LIPS-STYLE PACKAGING CONTAINER**

(71) Applicant: **Chris J. Katopis**, Washington, DC (US)

(72) Inventor: **Chris J. Katopis**, Washington, DC (US)

(73) Assignee: **Dorothy Katopis**, Hollis Hills, NY (US)

(\*\*) Term: **15 Years**

(21) Appl. No.: **29/659,613**

(22) Filed: **Aug. 10, 2018**

(51) **LOC (12) Cl.** ..... **09-07**

(52) **U.S. Cl.**  
USPC ..... **D9/451**; D9/454; D9/624

(58) **Field of Classification Search**  
USPC ..... D9/600, 624-629, 500-505, 516, 519, D9/434-454; 206/457, 494, 459.5, 527, 206/540; 229/116.1; 215/381-384, 400; D7/514-520, 539, 544, 571, 594, 599, D7/604, 613, 619.2, 623, 625, 628-630, D7/391-392.1; D3/270-271.8; D11/53-55, 99-102; D20/23-26, 30-32; D28/73, 79-80, 87  
CPC ..... B65D 67/00; B65D 81/36; B65D 81/60; B65D 81/368; B65D 37/00; B65D 5/42; B65D 5/4208; B65D 77/00; A63H 33/10; A63H 33/16

See application file for complete search history.

(56) **References Cited**

**U.S. PATENT DOCUMENTS**

D91,835 S	3/1934	Martin	
D126,826 S *	4/1941	Lane	D9/624
D131,440 S *	2/1942	Preller	D28/87
D133,019 S *	7/1942	Bass	D11/54
D133,779 S *	9/1942	Kairalla	D28/87

2,554,965 A *	5/1951	Steven	A45D 40/30 D28/87
D277,740 S	2/1985	Harmeson	
D293,290 S	12/1987	Kim	
D320,288 S *	9/1991	Chen	D28/87
D331,628 S *	12/1992	Dodson	D21/661
D387,622 S	12/1997	Lee	
D392,560 S	3/1998	Lee	
D393,331 S *	4/1998	Hester	D28/67
D415,568 S *	10/1999	Bernd	D24/195
D422,395 S	4/2000	Robles	
D428,807 S *	8/2000	Lohmann	D9/624
D430,358 S *	8/2000	Papiernik	A45D 40/0068 D28/91.1
D470,943 S	2/2003	Adams	
D477,924 S	8/2003	Say	

(Continued)

**OTHER PUBLICATIONS**

Tony Moly Kiss Kiss Lip Scrub Container. Published on or prior to Jan. 23, 2013. <http://www.twothousandthings.com/2013/01/review-tony-cooly-kiss-kiss-lip-scrub.html>.\*

*Primary Examiner* — Sandra L Morris

(57) **CLAIM**

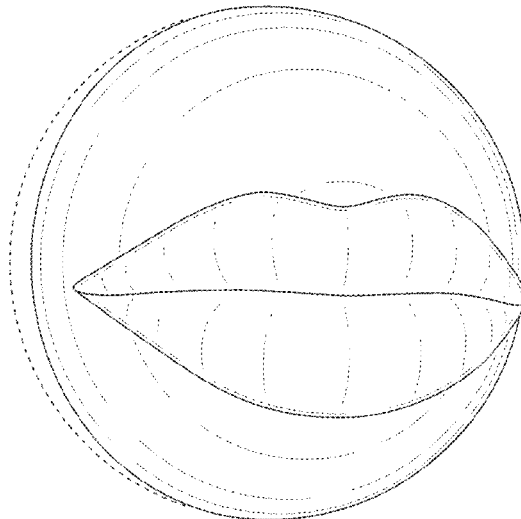
The ornamental design for a lips-style packaging container, as shown and described.

**DESCRIPTION**

FIG. 1 is a front perspective view of a lips-style packaging container, showing the new design; FIG. 2 is a front view thereof; FIG. 3 is a rear view thereof; FIG. 4 is a side view thereof; FIG. 5 is the opposite side view thereof; FIG. 6 is a top plan view thereof; and, FIG. 7 is a bottom view thereof.

In all figures, the broken lines showing the environmental subject matter are included for illustrative purposes and form no part of the claimed design.

**1 Claim, 7 Drawing Sheets**



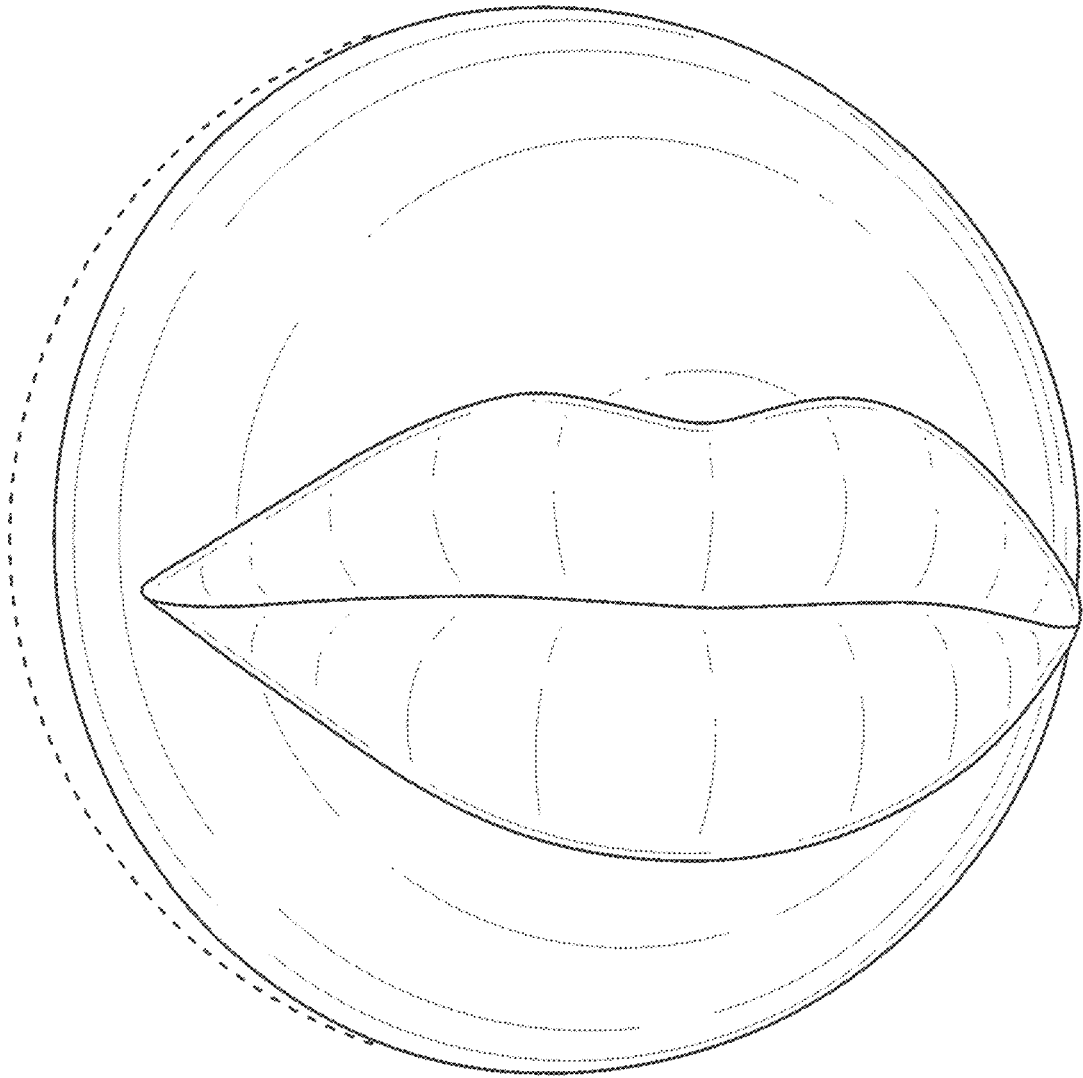
(56)

**References Cited**

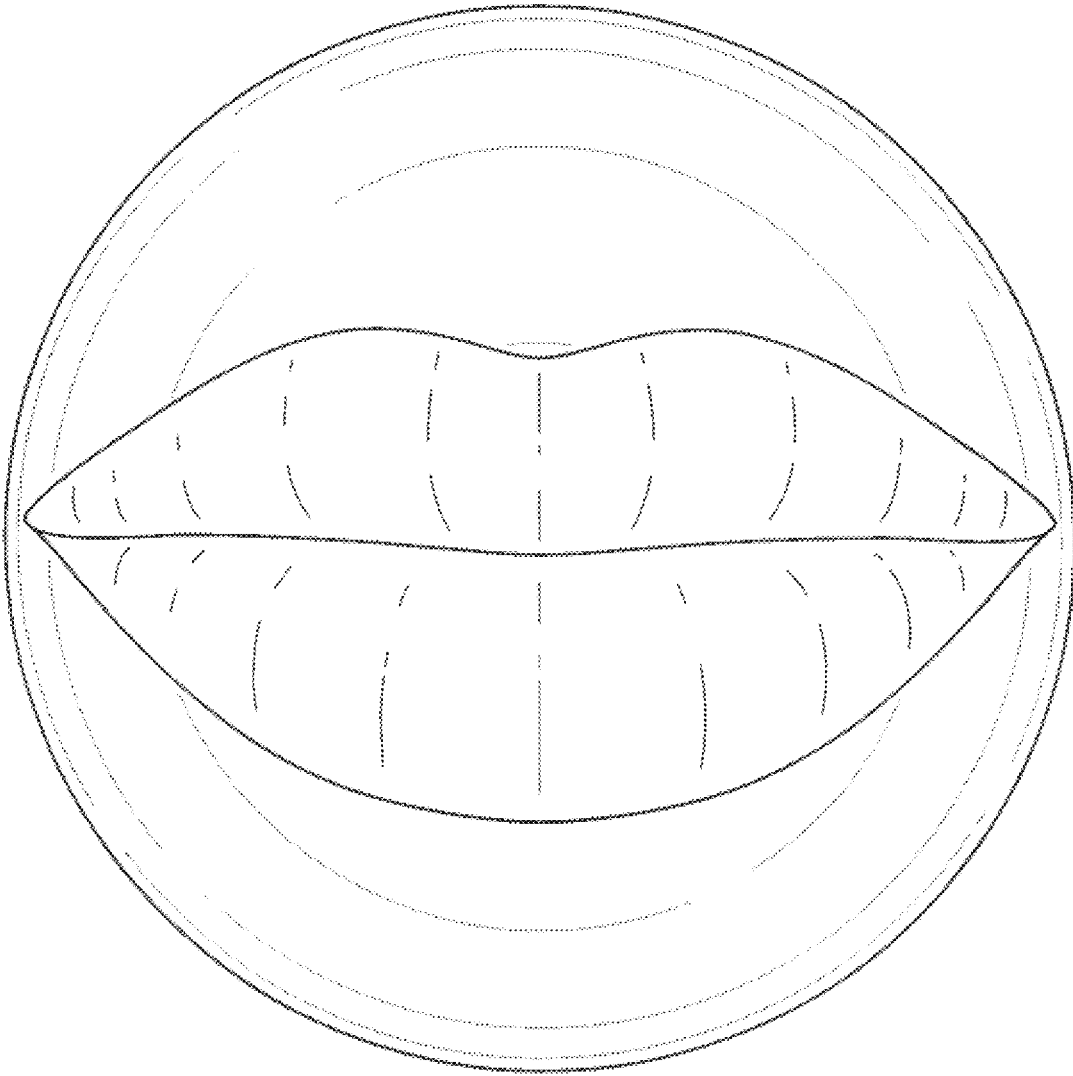
## U.S. PATENT DOCUMENTS

D488,738	S	4/2004	Figueroa	
D504,979	S *	5/2005	Lai	D28/79
D516,935	S	3/2006	Bulgari	
D519,398	S	4/2006	Bulgari	
D519,399	S	4/2006	Bulgari	
D519,872	S	5/2006	Bulgari	
D534,076	S *	12/2006	Green	A45D 40/0068 D9/454
D554,529	S *	11/2007	Green	D9/726
D562,699	S *	2/2008	Green	D9/504
D564,900	S *	3/2008	Green	D9/504
D577,583	S *	9/2008	Porter	D9/447
D610,458	S *	2/2010	Martin	D9/504
D612,245	S *	3/2010	Canamasas Puigbo	D9/519
D630,830	S	1/2011	Pruitt	
D650,280	S *	12/2011	de Peyerimhoff	A45D 40/30 D9/504
D651,552	S	1/2012	Soukup	
D696,555	S *	12/2013	Kolano	D7/590
D730,740	S *	6/2015	Seymour	D9/624
D746,683	S *	1/2016	Fahl	D9/454
D761,118	S *	7/2016	Seymour	D9/624
D762,224	S	7/2016	Katopis	
D818,648	S	5/2018	Cleij	

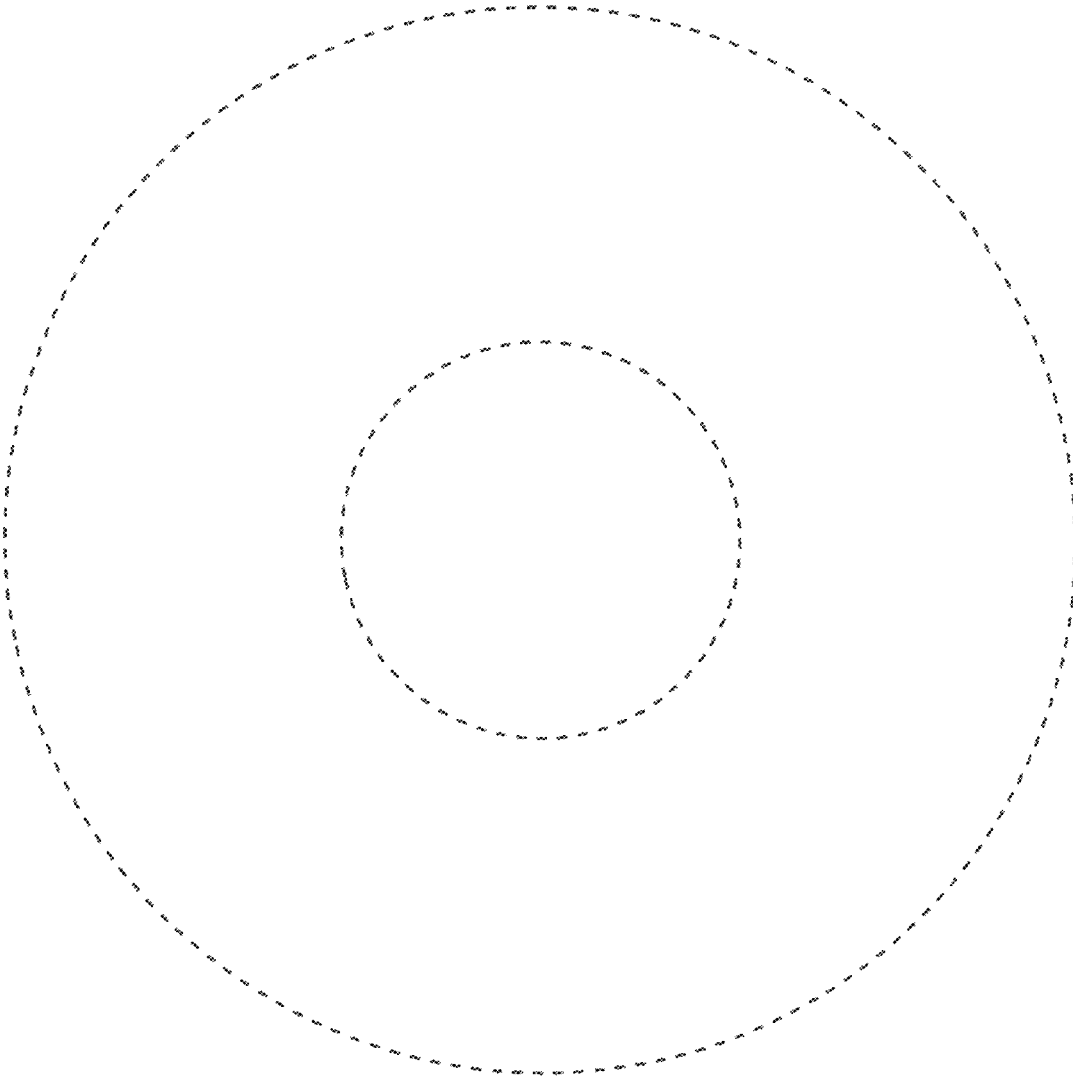
\* cited by examiner



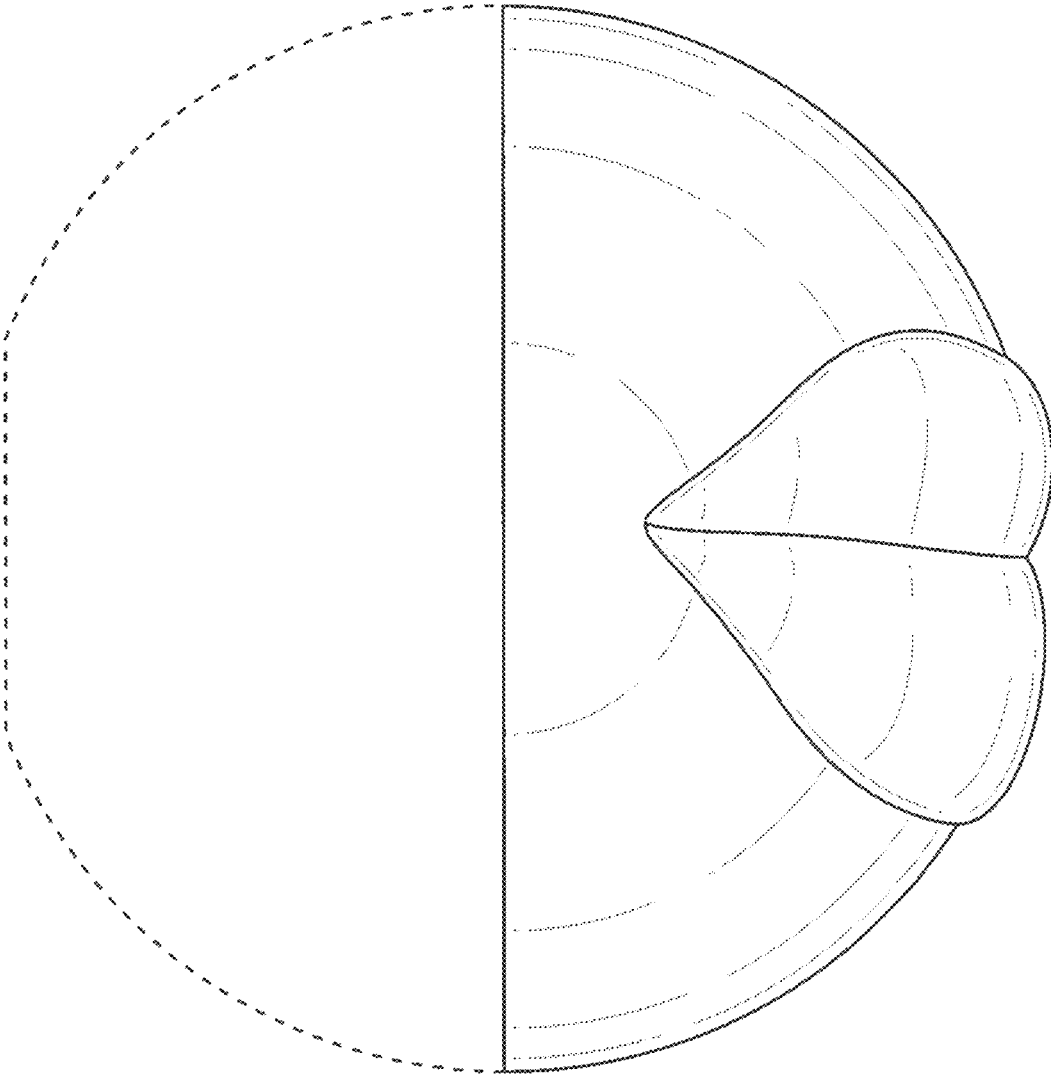
**FIG. 1**



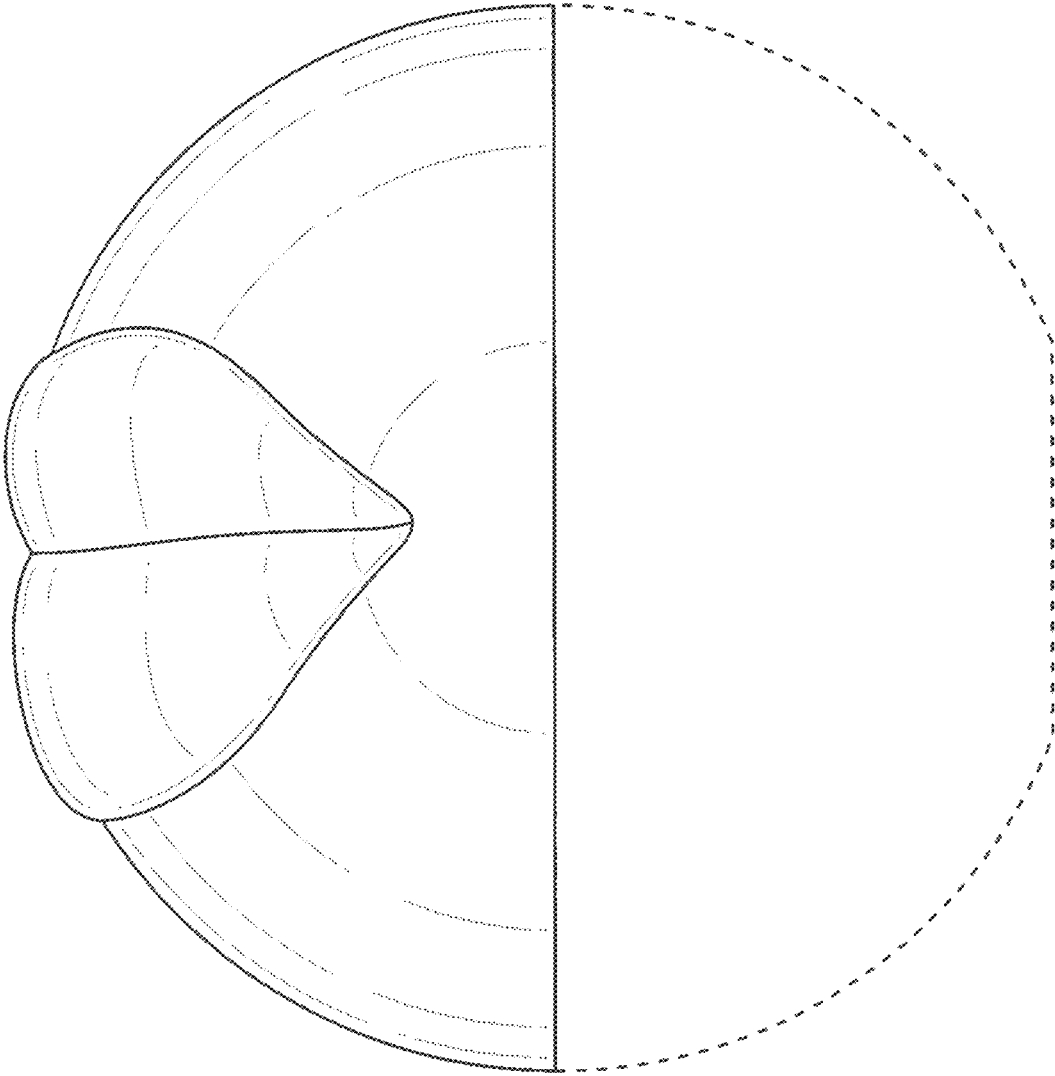
**FIG. 2**



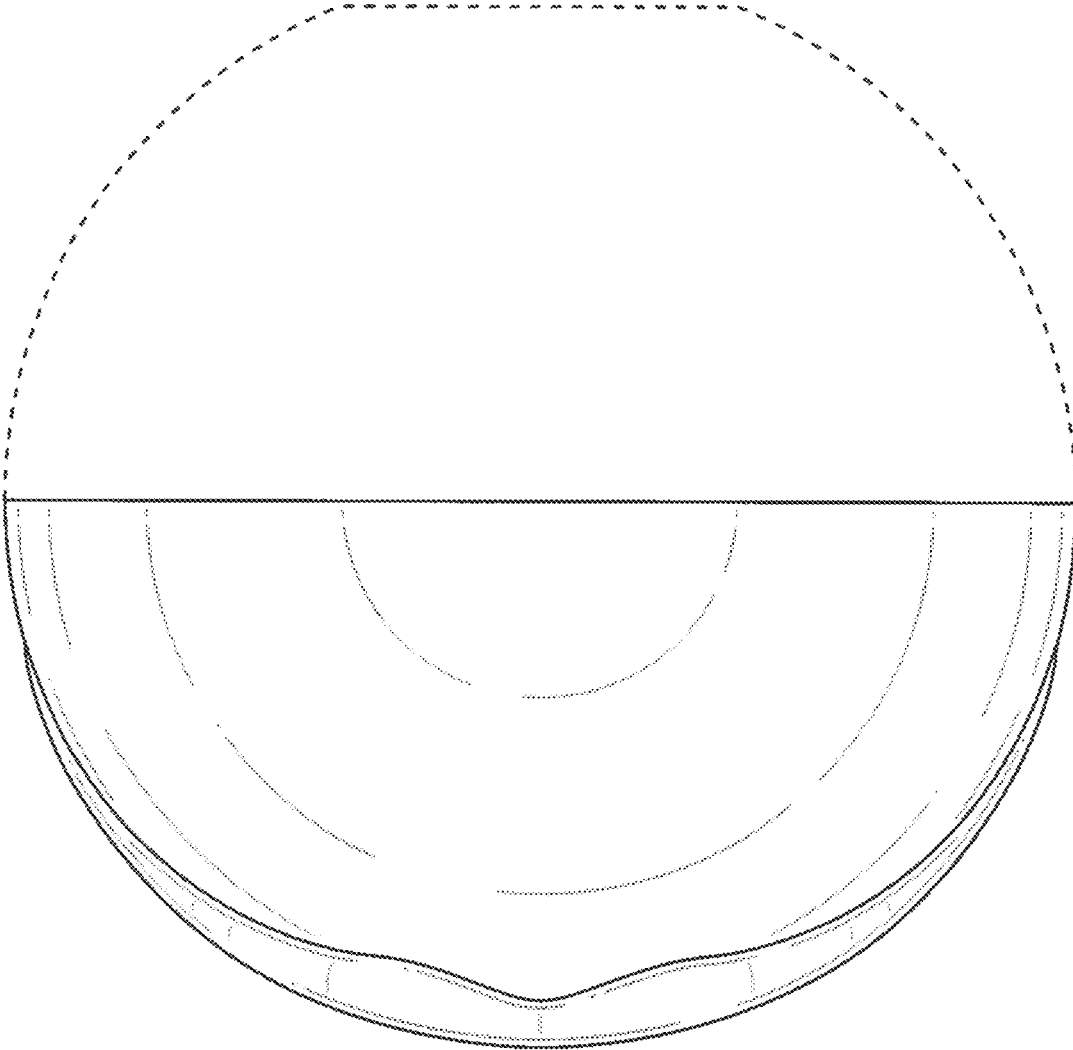
**FIG. 3**



**FIG. 4**

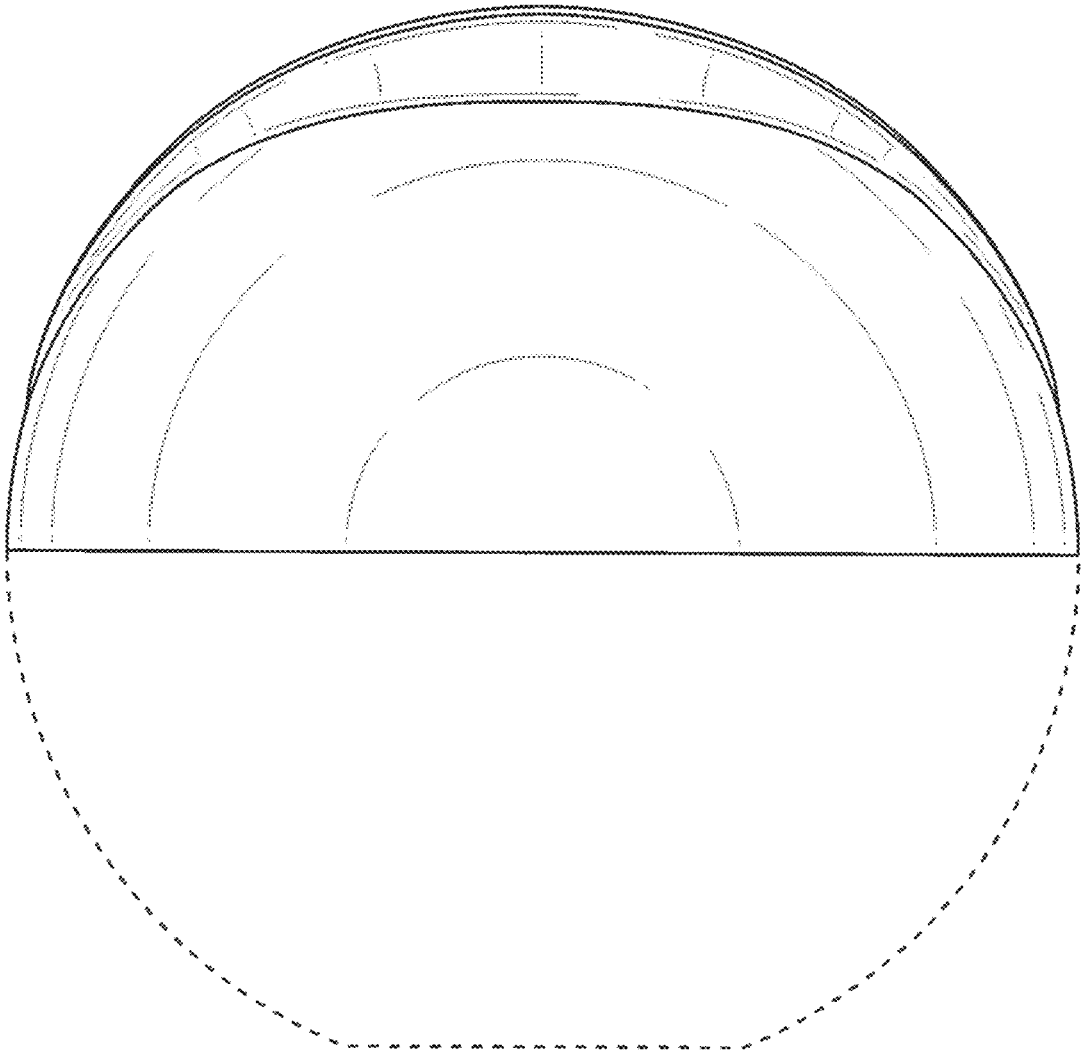


**FIG. 5**



**FIG. 6**





**FIG. 7**