



(12) **United States Design Patent**
Kim et al.

(10) **Patent No.:** **US D819,282 S**
(45) **Date of Patent:** **** May 29, 2018**

(54) **VACUUM CLEANER**

(74) *Attorney, Agent, or Firm* — NSIP Law

(71) Applicant: **Samsung Electronics Co., Ltd.**,
Suwon-si (KR)

(57) **CLAIM**

We claim the ornamental design for a vacuum cleaner, as shown and described.

(72) Inventors: **Yeon-Su Kim**, Seoul (KR);
Seung-Wook Suh, Goyang-si (KR);
Jae-Ho Jang, Seoul (KR); **Jae-Won Choi**, Seoul (KR)

DESCRIPTION

(73) Assignee: **Samsung Electronics Co., Ltd.**,
Suwon-si (KR)

FIG. 1 is a front perspective view of a vacuum cleaner showing our new design;
FIG. 2 is a front elevational view thereof;
FIG. 3 is a rear elevational view thereof;
FIG. 4 is a left-side elevational view thereof;
FIG. 5 is a right-side elevational view thereof;
FIG. 6 is a top plan view thereof;
FIG. 7 is a bottom plan view thereof;
FIG. 8 is a rear perspective view thereof;
FIG. 9 is another left-side view thereof showing the handle rotated from the closed position shown in FIG. 4;
FIG. 10 is an enlarged view of the encircled portion in FIG. 1;

(**) Term: **15 Years**

(21) Appl. No.: **29/599,593**

(22) Filed: **Apr. 5, 2017**

(30) **Foreign Application Priority Data**

Dec. 23, 2016 (KR) 30-2016-0062889

(51) **LOC (11) Cl.** **15-05**

(52) **U.S. Cl.**
USPC **D32/22**

(58) **Field of Classification Search**
USPC D32/31–34, 22
(Continued)

FIG. 11 is an enlarged view of the encircled portion in FIG. 2;
FIG. 12 is an enlarged view of the encircled portion in FIG. 2;
FIG. 13 is an enlarged view of the encircled portion in FIG. 3;
FIG. 14 is an enlarged view of the encircled portion in FIG. 3;
FIG. 15 is an enlarged view of the encircled portion in FIG. 4;
FIG. 16 is an enlarged view of the encircled portion in FIG. 6;
FIG. 17 is an enlarged view of the encircled portion in FIG. 7; and,
FIG. 18 is an enlarged view of the encircled portion in FIG. 8.

(56) **References Cited**

U.S. PATENT DOCUMENTS

D731,136 S * 6/2015 Yun D32/34
D731,724 S * 6/2015 Cheon D32/22
(Continued)

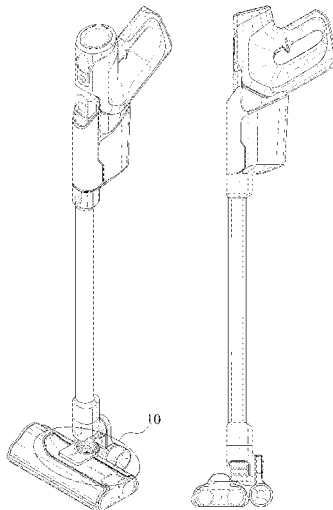
The broken lines in the figures depict environmental subject matter and form no part of the claimed design.
The dot-dash broken lines encircling portions of the claimed design that are illustrated in enlargements form no part of the claimed design.

FOREIGN PATENT DOCUMENTS

EM 002574939-0001 1/2015
KR 30-2013-0042293 9/2014
(Continued)

Primary Examiner — Ruth McInroy

1 Claim, 18 Drawing Sheets



(58) **Field of Classification Search**

CPC A47L 5/24; A47L 5/38; A47L 5/28; A47L
11/4044; A47L 11/34; A47L 7/0038;
A47L 9/325; A47L 9/02; A47L 1/08;
D01H 11/006; B60S 1/64; A46B 11/001;
A46B 11/002; B08B 3/026; B08B 3/028

See application file for complete search history.

(56) **References Cited**

U.S. PATENT DOCUMENTS

D731,725 S * 6/2015 Jang D32/34
D738,584 S * 9/2015 Niedzwecki D32/18
D770,111 S * 10/2016 Lee D32/34
D771,890 S * 11/2016 Kim D32/34
D772,512 S * 11/2016 Yoon D32/34
9,675,218 B2 * 6/2017 Kim A47L 5/225
D792,040 S * 7/2017 Meyer D32/22

FOREIGN PATENT DOCUMENTS

KR 30-2015-0052140 1/2016
KR 30-2015-0049494 4/2016
KR 30-2015-0067216 6/2016

* cited by examiner

FIG. 1

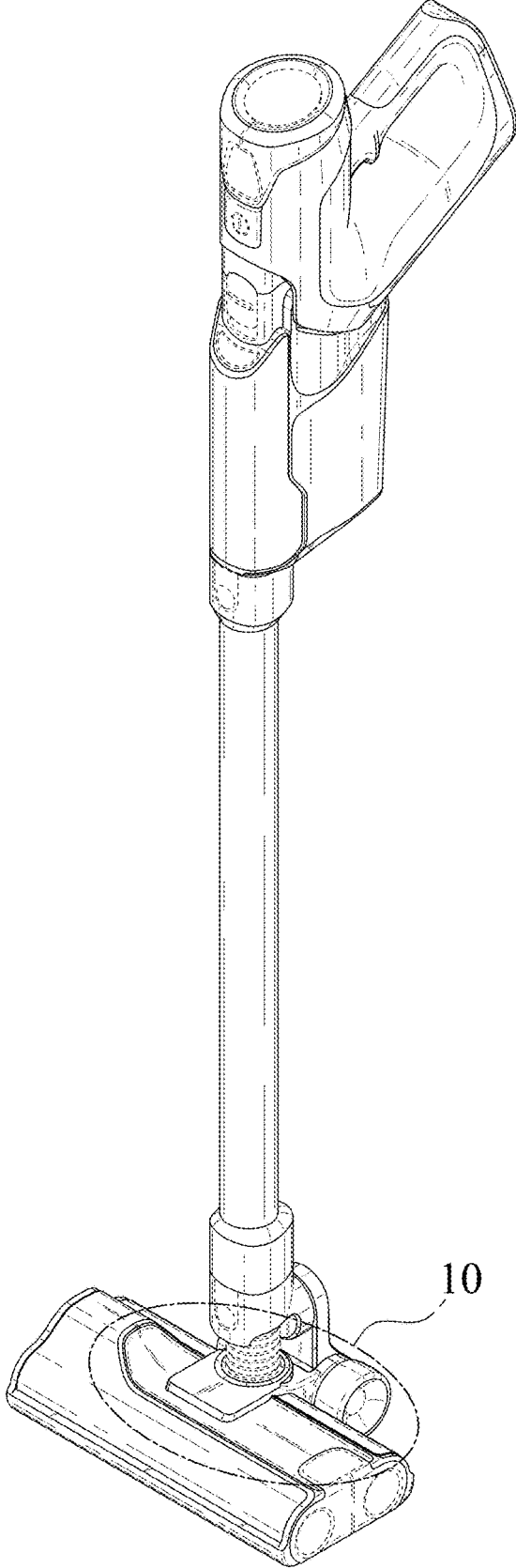


FIG. 2

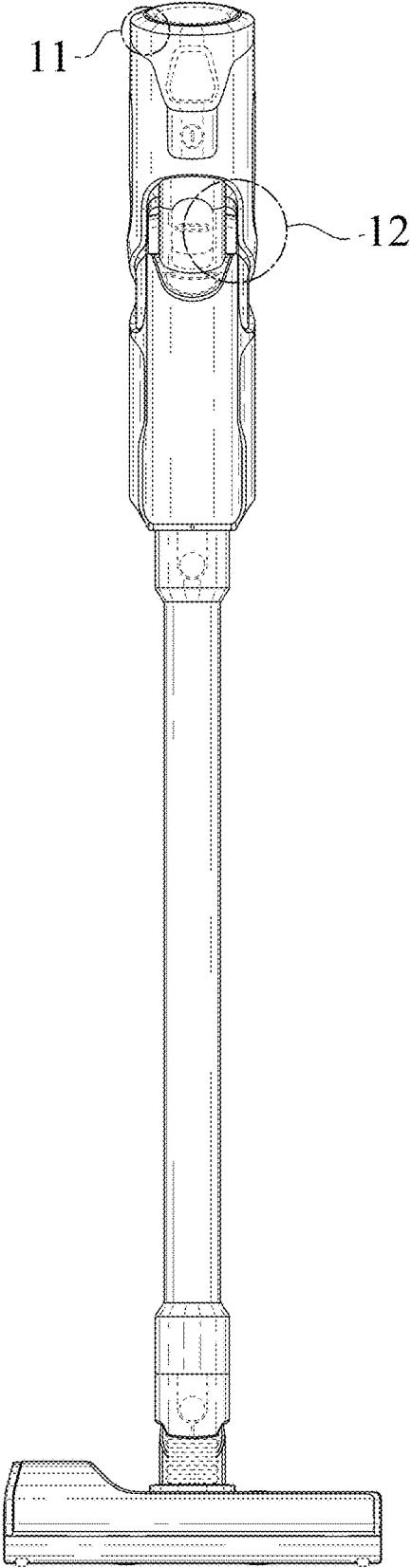


FIG. 3

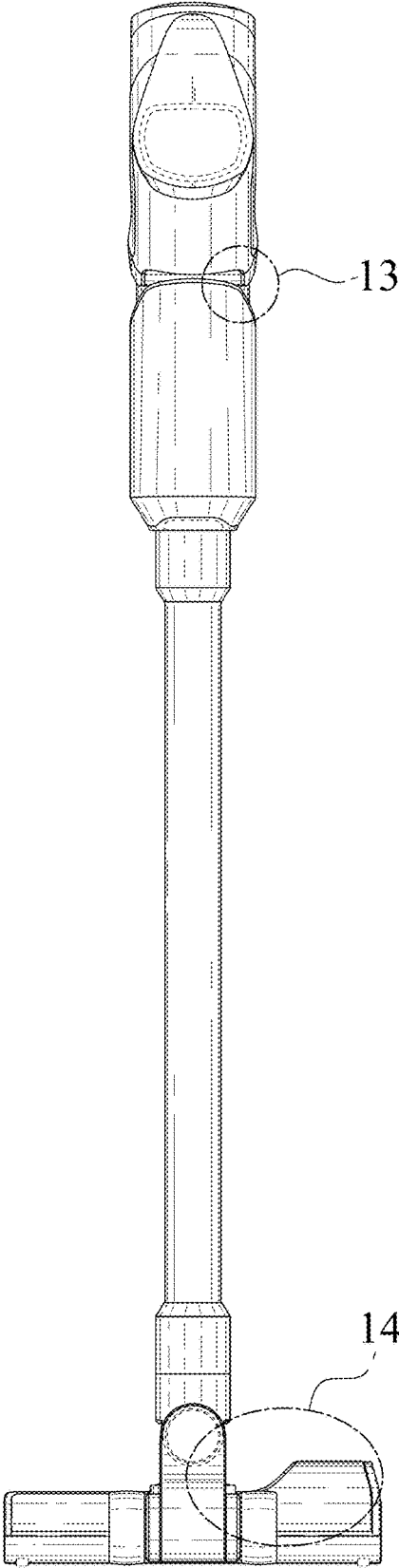


FIG. 4

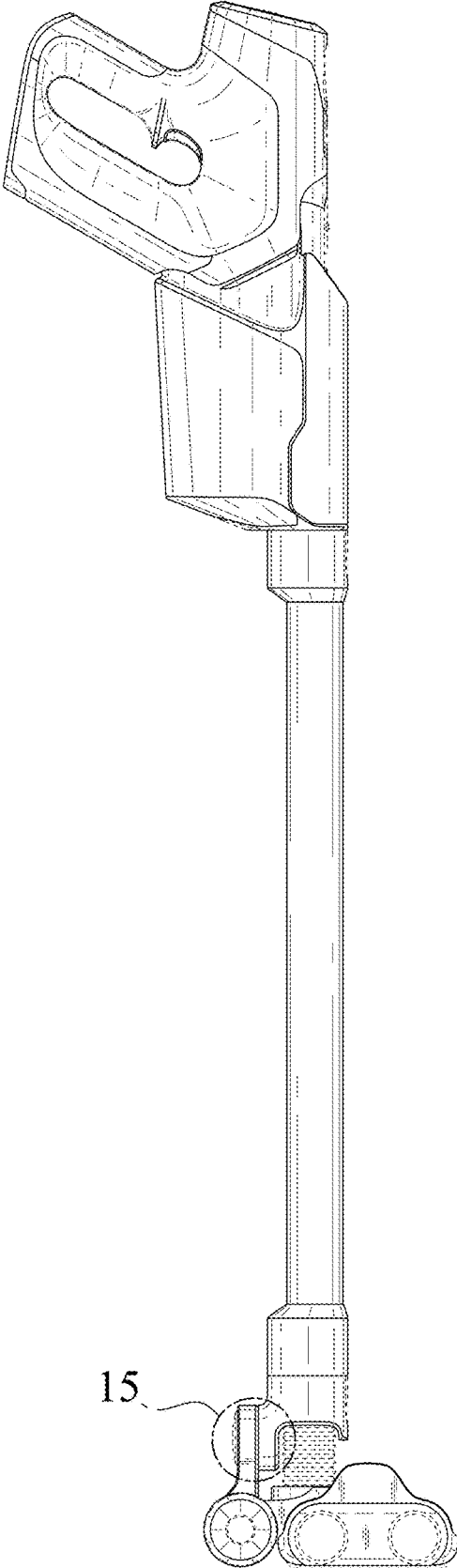


FIG. 5

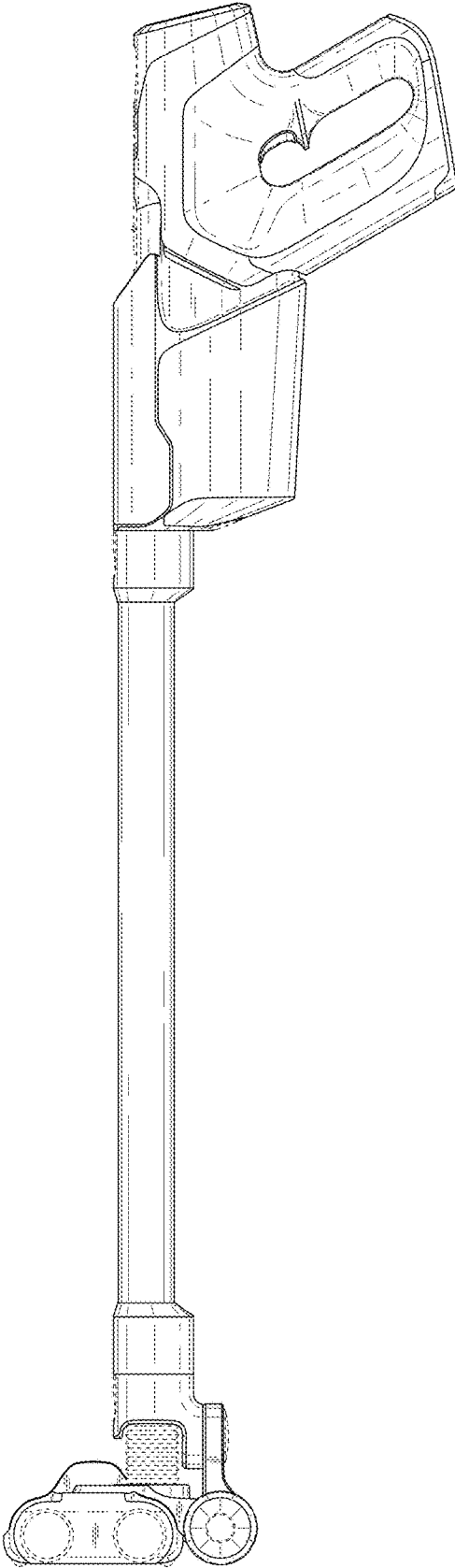


FIG. 6

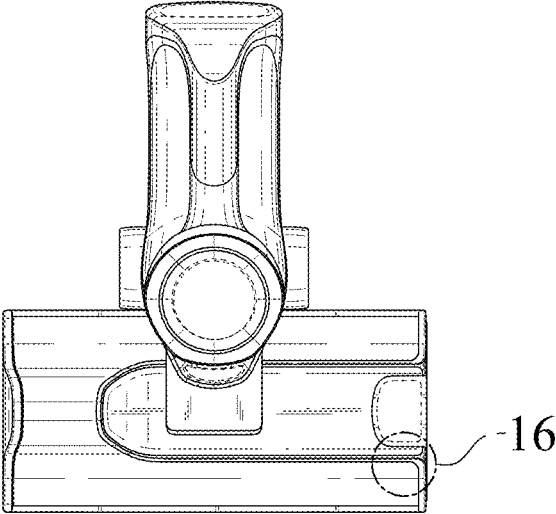


FIG. 7

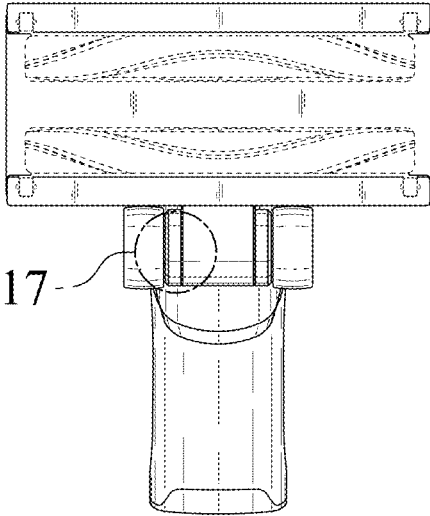


FIG. 8

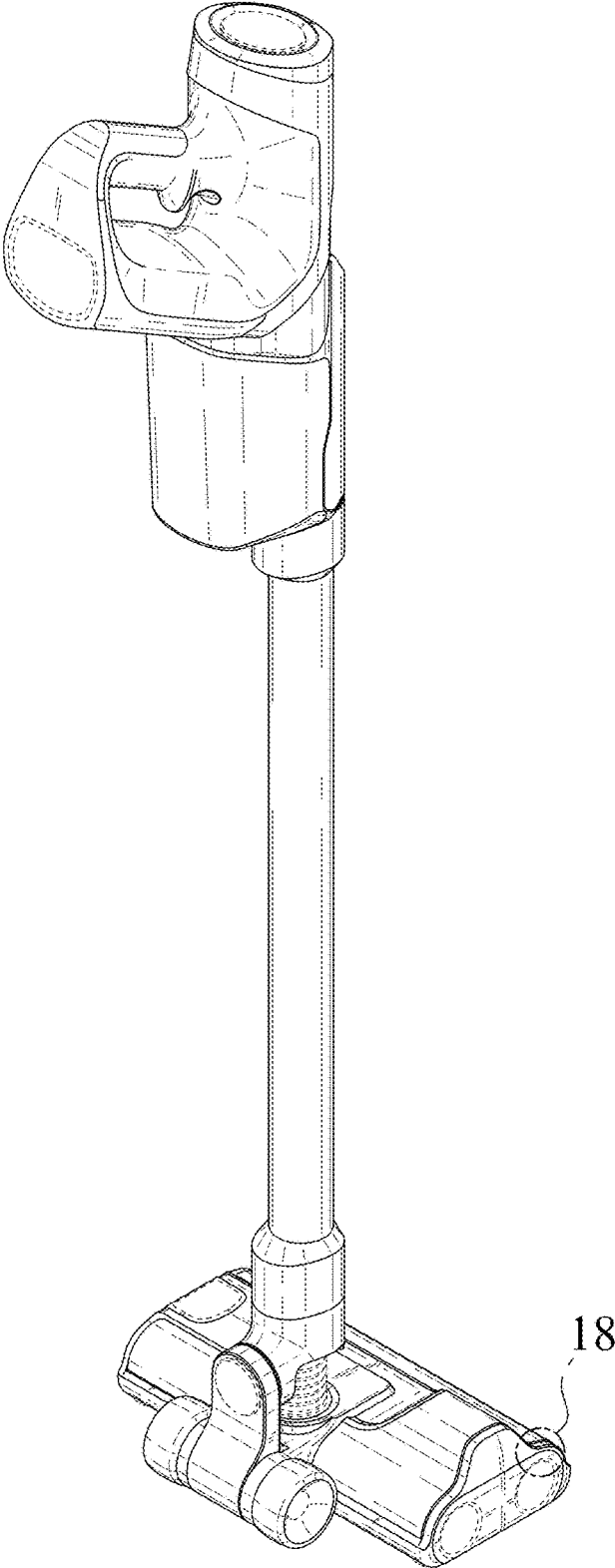


FIG. 9

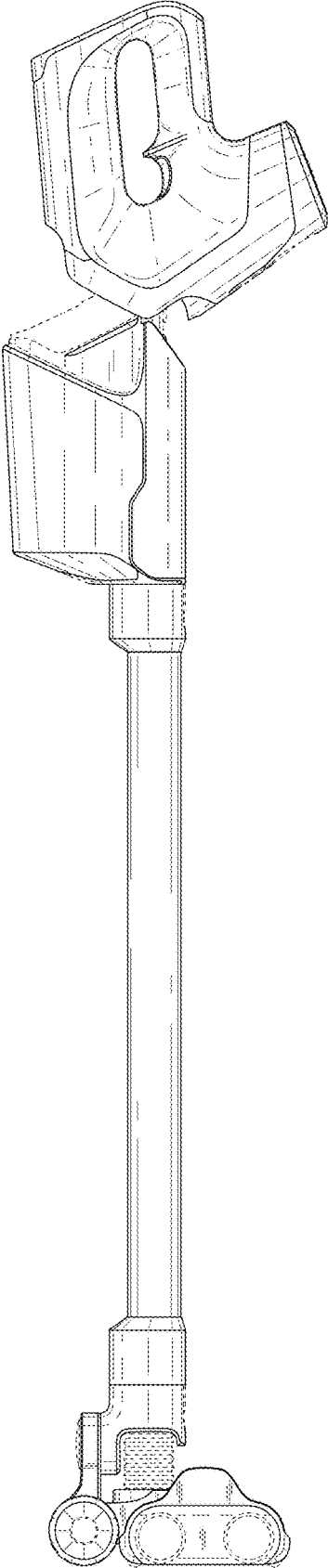


FIG. 10

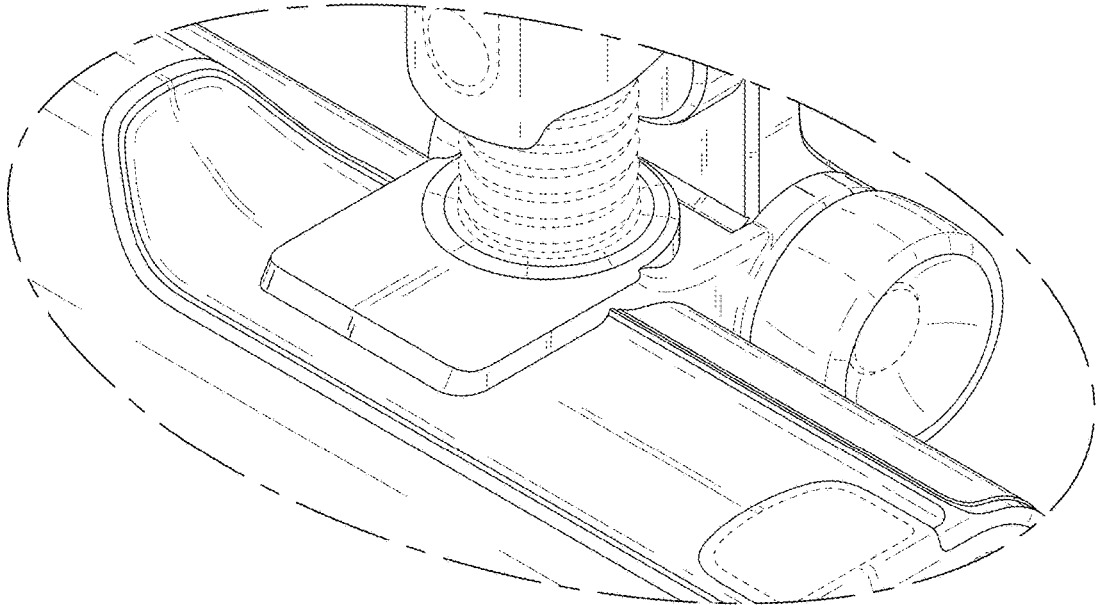


FIG. 11

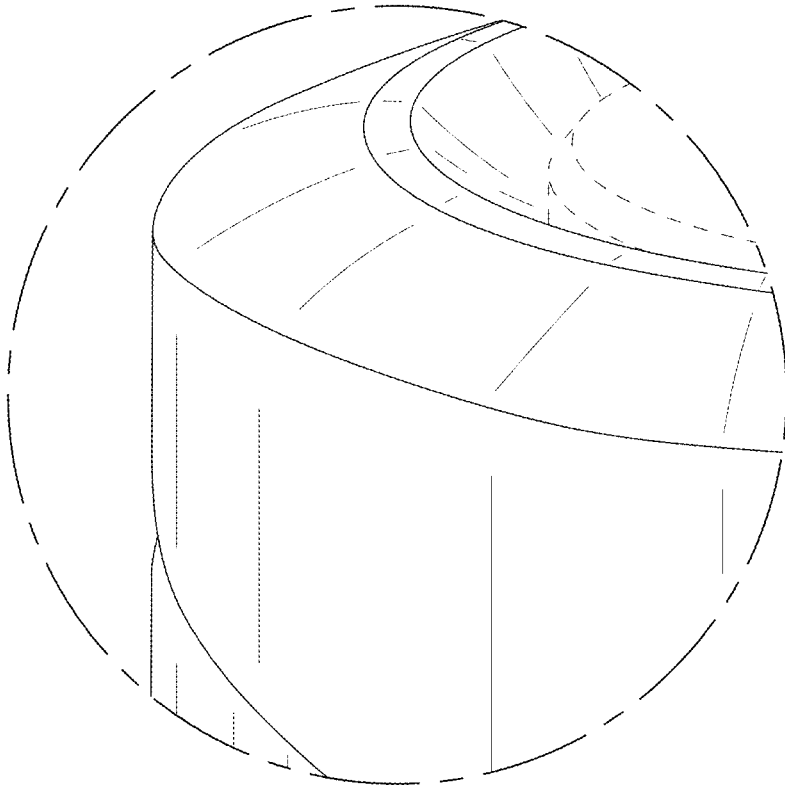


FIG. 12

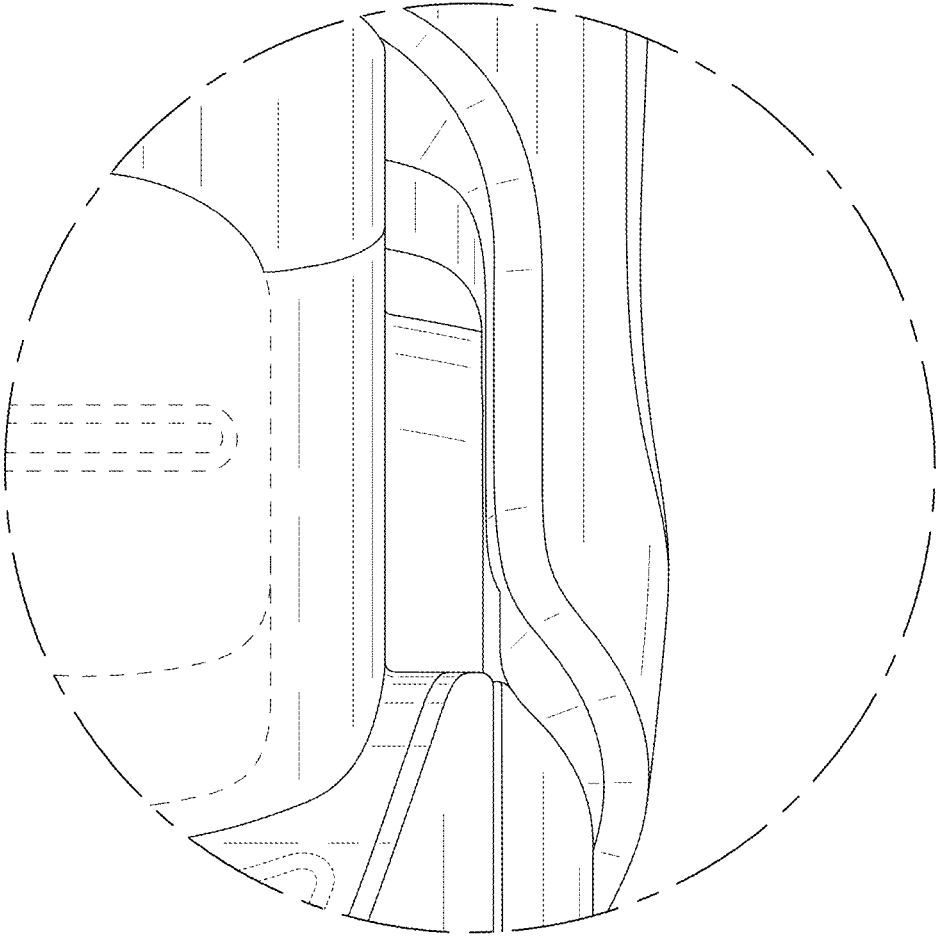


FIG. 13

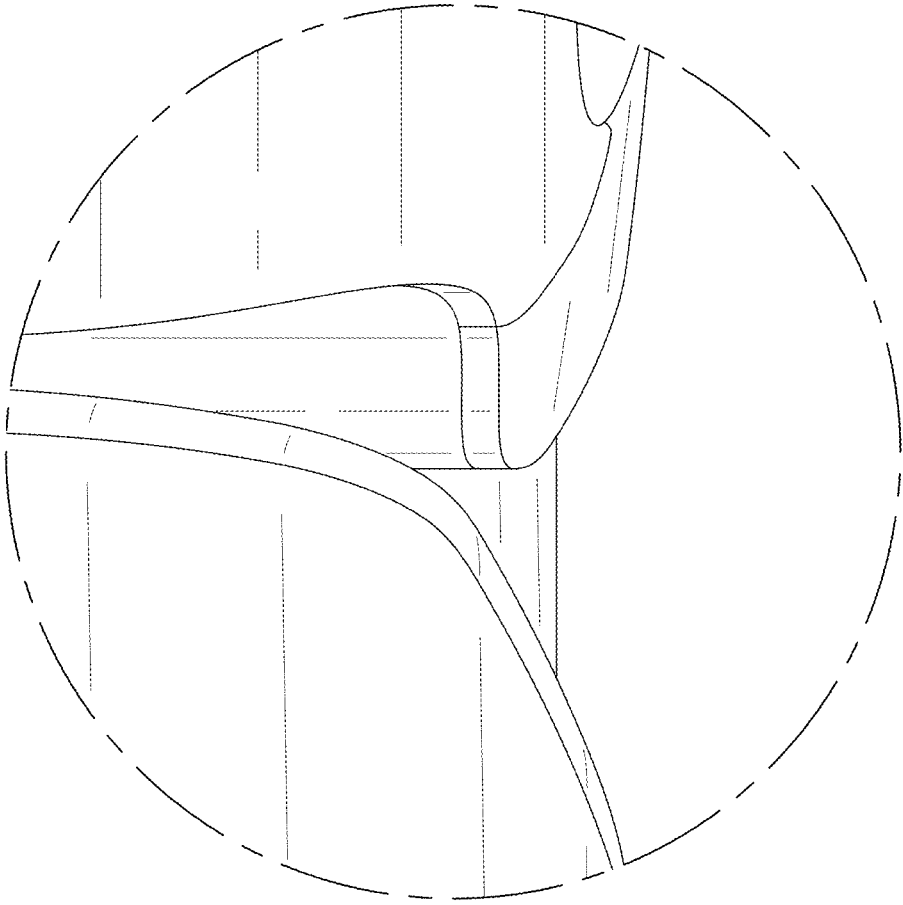


FIG. 14

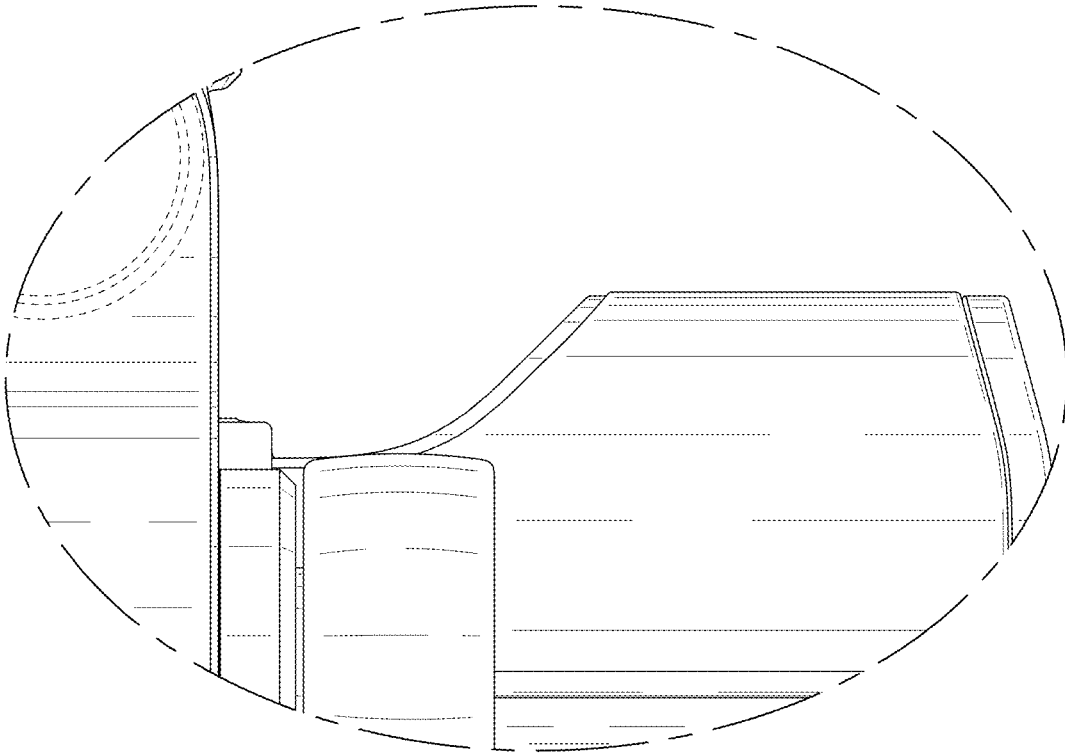


FIG. 15

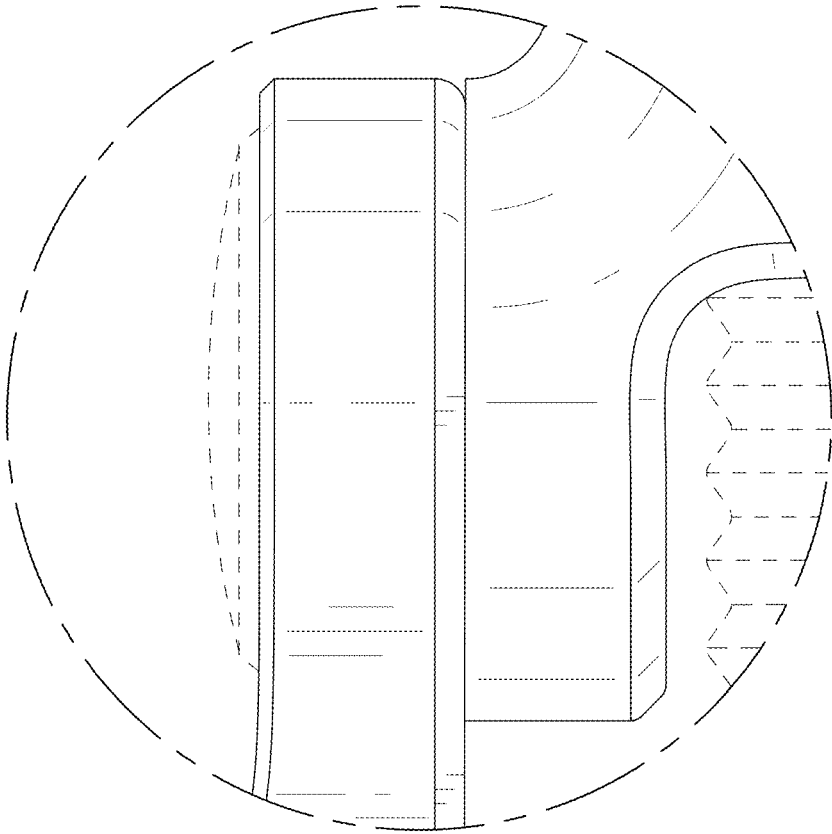


FIG. 16

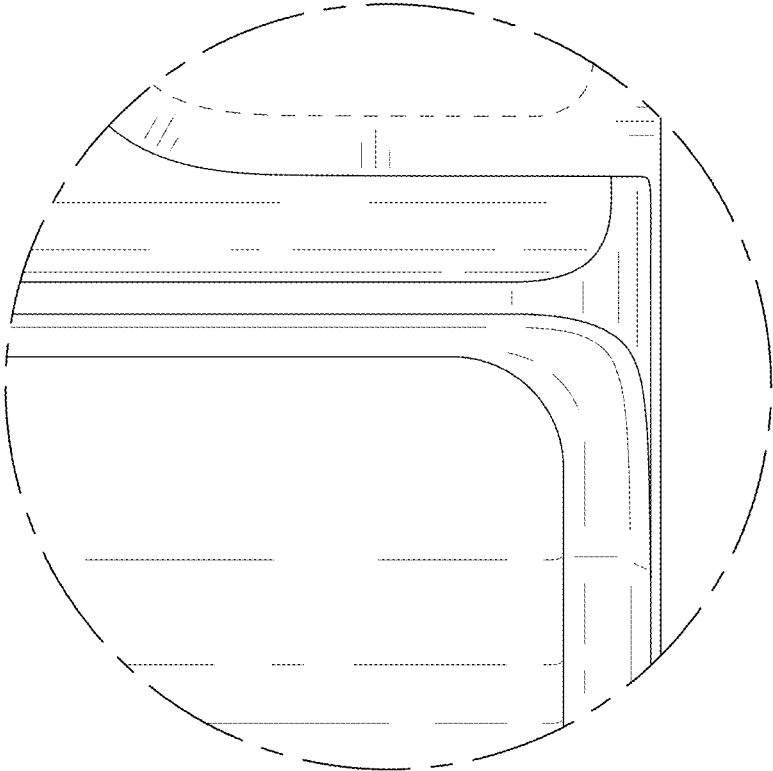


FIG. 17

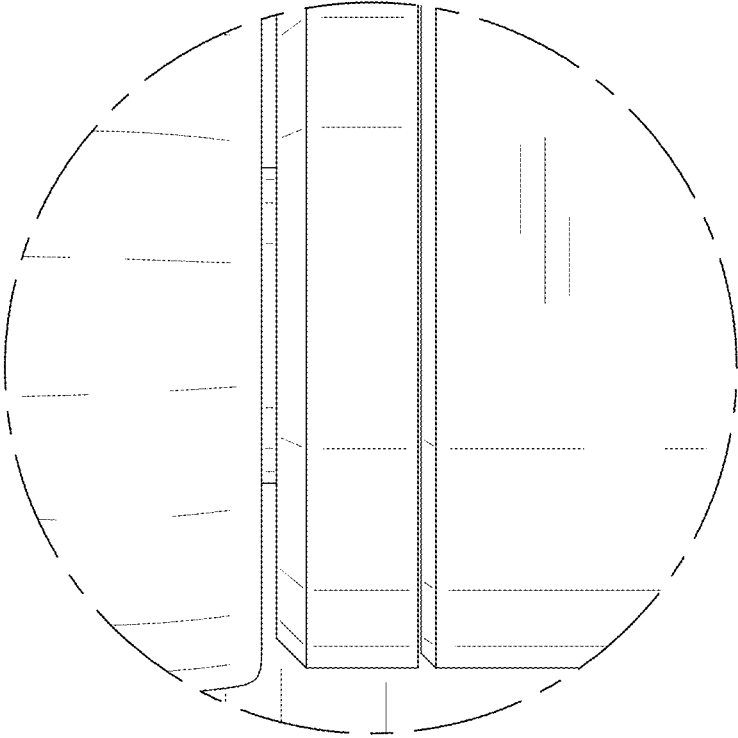


FIG. 18

