



(12) **United States Design Patent**
Amdor et al.

(10) **Patent No.:** **US D998,368 S**
(45) **Date of Patent:** **** Sep. 12, 2023**

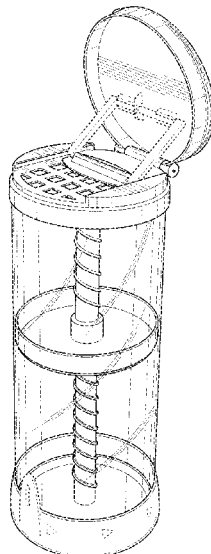
- (54) **SCREW-STYLE DISPENSER**
- (71) Applicant: **Blue Buffalo Enterprises, Inc.**, Wilton, CT (US)
- (72) Inventors: **Aaron Amdor**, Delano, MN (US);
John Kevin Clay, Milford, CT (US);
Anthony W Swenson, Blaine, MN (US); **Tal A Tostenson**, Rogers, MN (US)
- (73) Assignee: **Blue Buffalo Enterprises, Inc.**, Wilton, CT (US)
- (**) Term: **15 Years**
- (21) Appl. No.: **29/720,542**
- (22) Filed: **Jan. 14, 2020**
- (51) **LOC (14) Cl.** **30-03**
- (52) **U.S. Cl.**
USPC **D30/121; D6/515**
- (58) **Field of Classification Search**
USPC D6/515; D7/300, 300.1, 300.2, 301, 302, D7/303, 589, 590, 598, 599, 629, D7/591-597, 601, 602, 603, 604, 605, D7/608, 612, 613, 614, 615, 619.1, 619.2, D7/630, 623, 628, 710, 514, 518, 515, D7/509, 538, 539, 540, 542, 544, 545, D7/368, 665, 666, 668, 669, 674, 679, D7/681, 683, 684, 685, 686, 688, 370, D7/371, 372, 376, 306, 313; D9/600, D9/643, 644, 645, 646, 647, 655, 661, D9/738, 743, 744, 745, 746, 516, 727, D9/729; D30/121, 122, 127-130, 133
CPC B65D 47/04; B65D 47/18; B65D 47/06; B65D 47/28; B65D 47/286; B65D 2543/00092; B65D 2543/00296; B65D 2543/00537; B65D 43/02; B65D 43/14; B65D 43/16; A47G 19/24; A47G 19/00;
(Continued)

- (56) **References Cited**
U.S. PATENT DOCUMENTS
D369,522 S * 5/1996 Casey D7/590
D374,818 S * 10/1996 Poisson D9/729
(Continued)
FOREIGN PATENT DOCUMENTS
GB 2509189 4/2016
KR 200476045 1/2015
(Continued)
Primary Examiner — Nathan M Johnston
(74) *Attorney, Agent, or Firm* — Diederiks & Whitelaw, PLC; Annette M. Frawley, Esq.

(57) **CLAIM**
The ornamental design for a screw-style dispenser, as shown and described.

DESCRIPTION
FIG. 1 is an upper perspective view of a screw-style dispenser according to our new design in which the hinged lid is closed;
FIG. 2 is another upper perspective view of the screw-style dispenser in which the hinged lid is open;
FIG. 3 is a front view of the screw-style dispenser of FIG. 2;
FIG. 4 is a rear view of the screw-style dispenser of FIG. 2;
FIG. 5 is a left view of the screw-style dispenser of FIG. 2;
FIG. 6 is a right view of the screw-style dispenser of FIG. 2;
FIG. 7 is a top view of the screw-style dispenser of FIG. 2; and,
FIG. 8 is a bottom view of the screw-style dispenser of FIG. 2.
The broken lines show portions of the screw-style dispenser that form no part of the claimed design.

1 Claim, 5 Drawing Sheets



(58) **Field of Classification Search**

CPC .. A47G 19/122; A47G 19/125; A47G 19/127;
 A47G 19/18; A47G 19/20; A47G 19/14;
 A47G 19/32; A47G 19/34

See application file for complete search history.

(56) **References Cited**

U.S. PATENT DOCUMENTS

D379,137	S *	5/1997	Lam	D7/589
D397,913	S *	9/1998	Miliani	D7/589
D401,115	S	11/1998	Huang	
D477,997	S *	8/2003	Hakansson	D9/431
6,918,511	B1	7/2005	Spatz et al.	
7,213,994	B2	5/2007	Phipps et al.	
7,467,731	B2	12/2008	Shraiber	
D629,642	S *	12/2010	Miller	D7/372
8,029,204	B2	10/2011	De Virag et al.	
8,157,114	B2	4/2012	Baylous et al.	
8,337,473	B2	12/2012	Gutierrez	
D727,057	S *	4/2015	Frankel	D6/518
D805,830	S *	12/2017	Friedman	D7/313
D817,104	S *	5/2018	Ignatoff	D7/629
D840,736	S *	2/2019	Petruzzi	D7/313
10,322,433	B2	6/2019	Phipps et al.	
D908,019	S *	1/2021	Ruthe-Steinsiek	D9/727
2005/0247741	A1	11/2005	Dieudonat	
2009/0308266	A1	12/2009	Zalesky	

FOREIGN PATENT DOCUMENTS

WO	WO-2009/064762	5/2009
WO	WO-2013/005034	1/2013

* cited by examiner

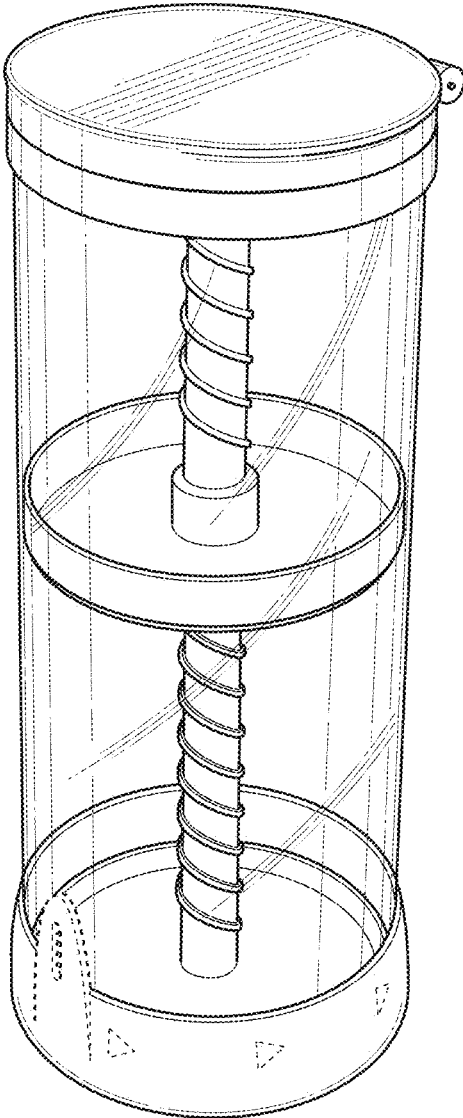


FIG. 1

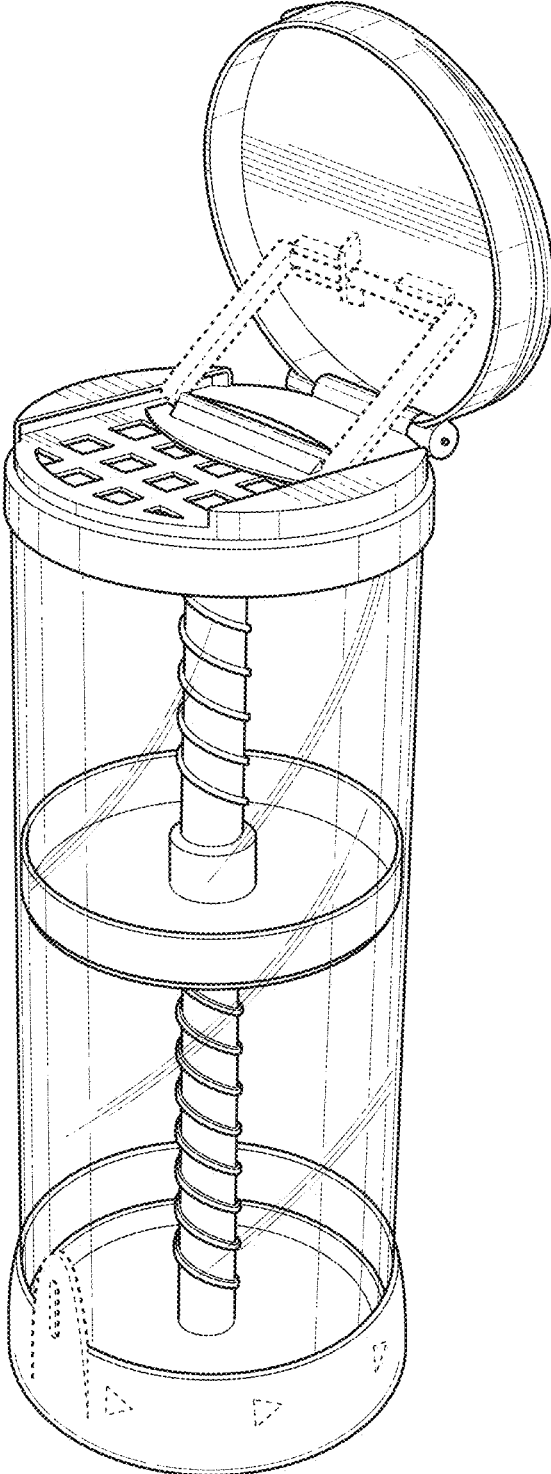


FIG. 2

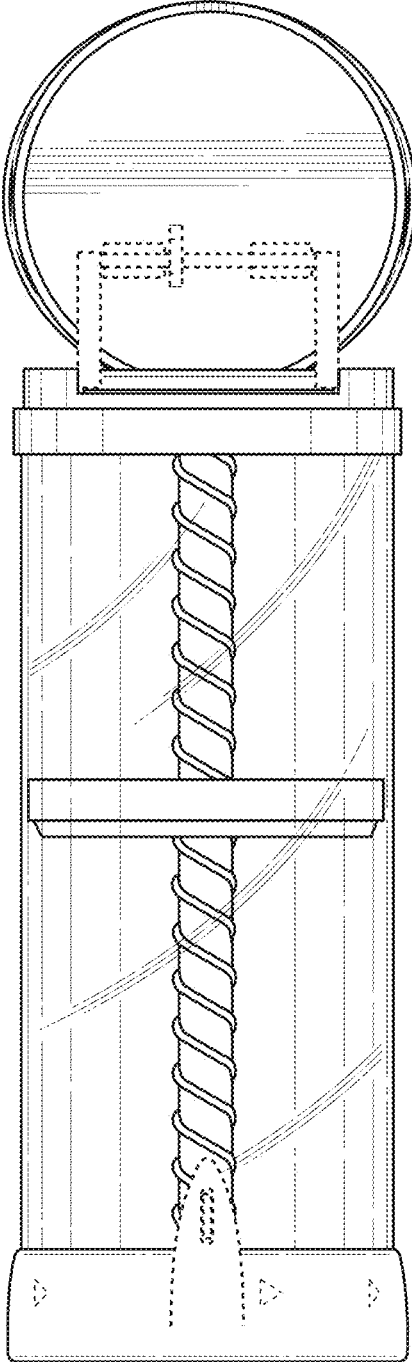


FIG. 3

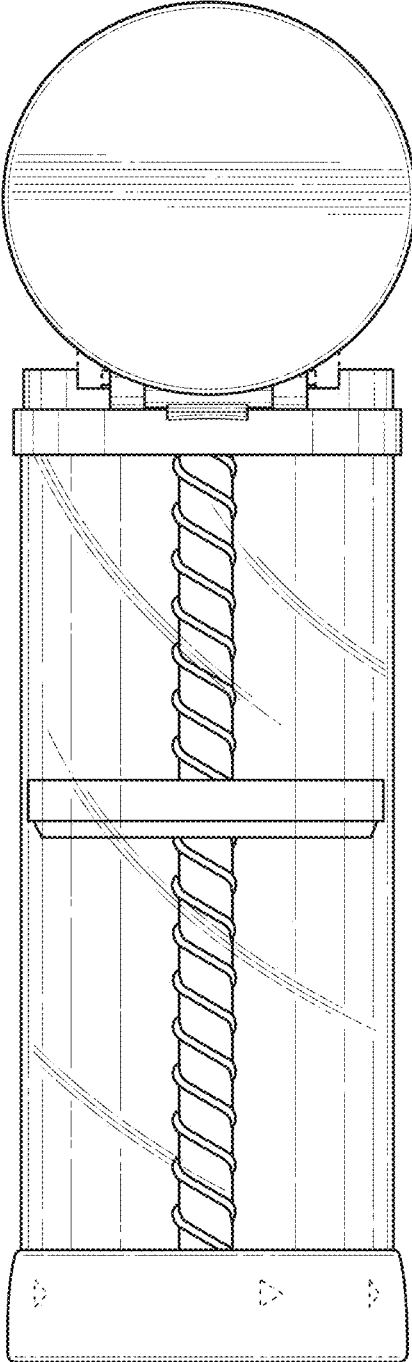


FIG. 4

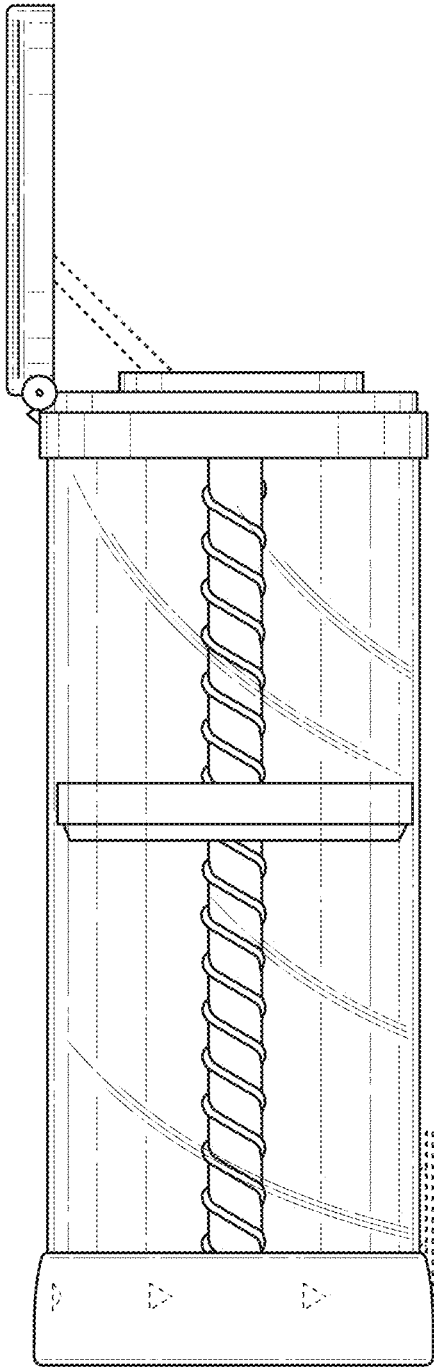


FIG. 5

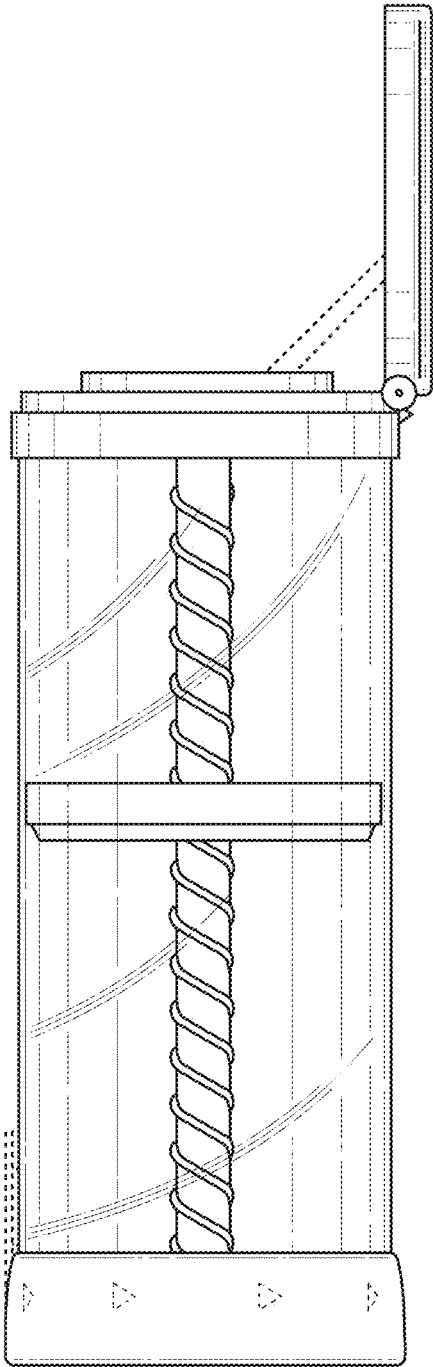


FIG. 6

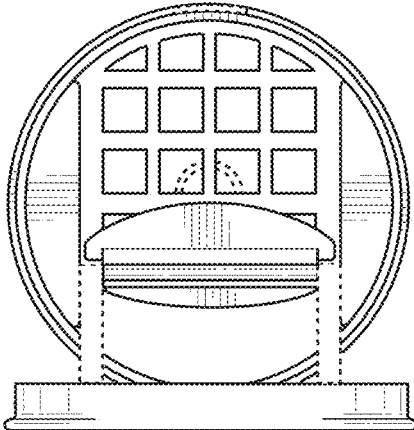


FIG. 7

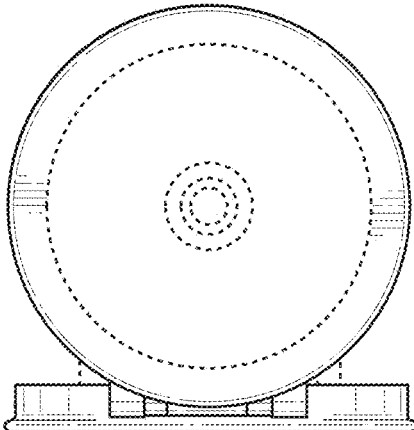


FIG. 8