



US00D616377S

(12) **United States Design Patent**
Bussen et al.

(10) **Patent No.:** **US D616,377 S**

(45) **Date of Patent:** **** May 25, 2010**

(54) **HOUSING FOR A MODULAR STORAGE SYSTEM**

D571,303 S * 6/2008 Jokiniemi et al. D13/158
D596,594 S * 7/2009 Kressy D13/184

(75) Inventors: **Marshall Bussen**, Brookfield, WI (US);
Robert Botchek, Brookfield, WI (US)

* cited by examiner

(73) Assignee: **Tableau, LLC**, Waukesha, WI (US)

Primary Examiner—Daniel D Bui
Assistant Examiner—Thomas J Johannes
(74) *Attorney, Agent, or Firm*—Reinhart Boerner Van Deuren P.C.

(**) Term: **14 Years**

(21) Appl. No.: **29/354,540**

(57) **CLAIM**

(22) Filed: **Jan. 26, 2010**

We claim the ornamental design for the housing for a modular storage system, as shown and described.

(51) **LOC (9) Cl.** **13-03**

(52) **U.S. Cl.** **D13/162.1**

(58) **Field of Classification Search** D13/101,
D13/103, 112, 114, 118, 107, 110, 123, 124,
D13/158–184, 199; 429/12; D23/351, 352,
D23/317, 318, 319, 320, 329, 332, 330
See application file for complete search history.

DESCRIPTION

FIG. 1 is a perspective view of a housing for a modular storage system showing our new design;
FIG. 2 is a front view thereof;
FIG. 3 is a back view thereof;
FIG. 4 is a side view thereof;
FIG. 5 is a side view thereof showing the side opposite that shown in FIG. 4;
FIG. 6 is a top view thereof; and,
FIG. 7 is a bottom view thereof.

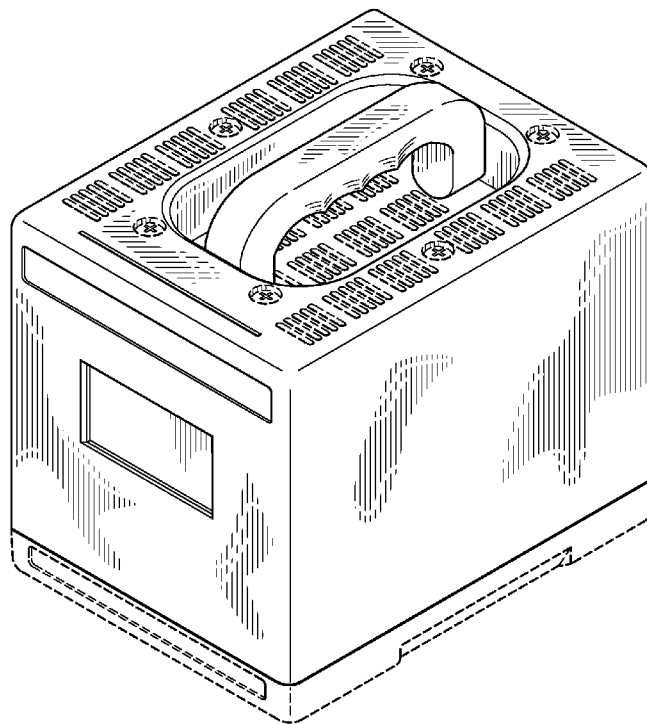
(56) **References Cited**

U.S. PATENT DOCUMENTS

- D221,957 S * 9/1971 Smyth D13/110
- 4,160,857 A * 7/1979 Nardella et al. 429/97
- D264,962 S * 6/1982 Fellmann D13/110
- D311,899 S * 11/1990 Lenzing et al. D13/124
- D341,124 S * 11/1993 Krokaugger D13/123
- D377,335 S * 1/1997 Katooka et al. D13/110
- 5,939,858 A * 8/1999 Dodd et al. 320/107
- D518,769 S * 4/2006 Kurth D13/107

The broken line portion of the figure drawings is included to show unclaimed subject matter only and forms no part of the claimed design.

1 Claim, 4 Drawing Sheets



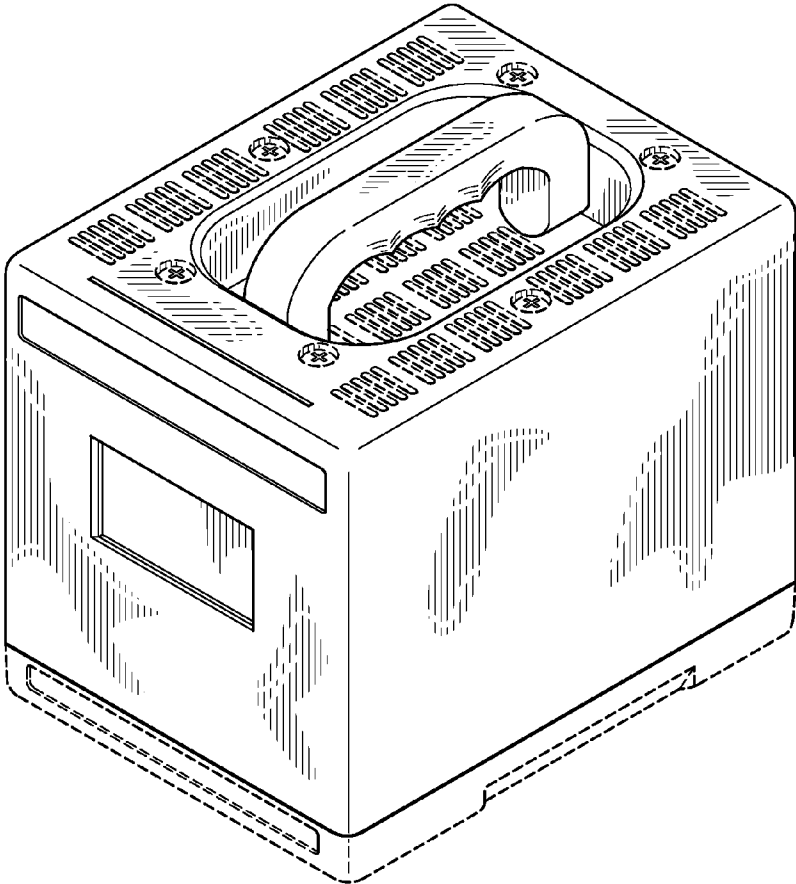


FIG. 1

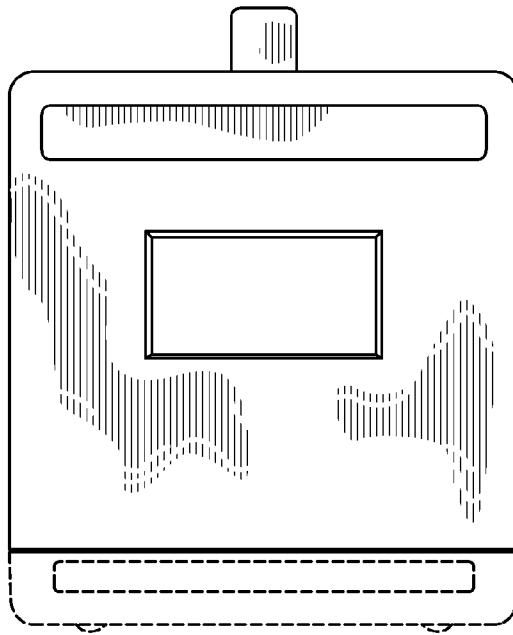


FIG. 2

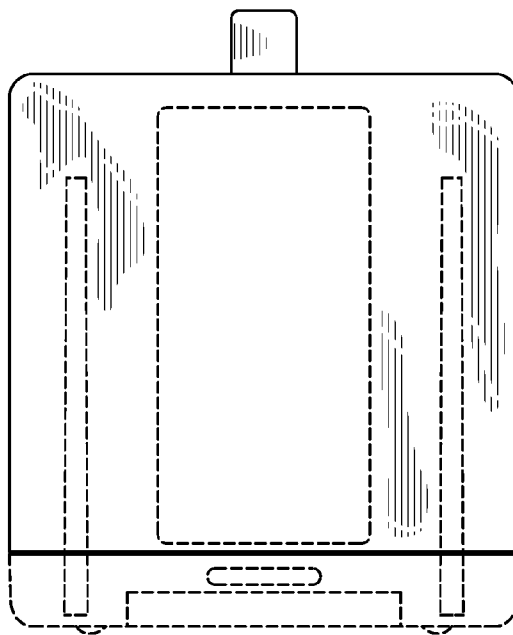


FIG. 3

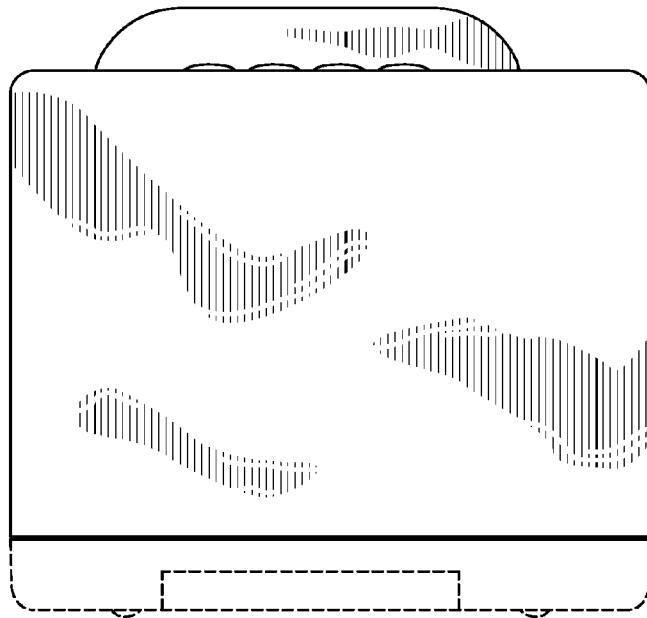


FIG. 4

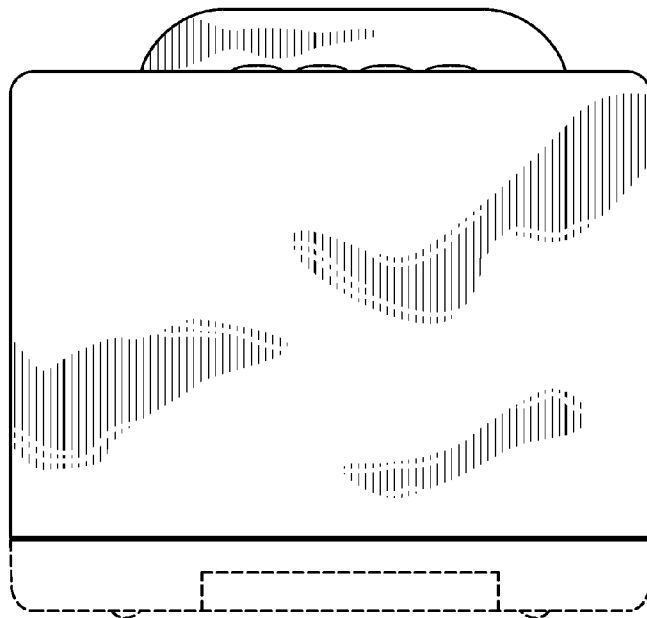


FIG. 5

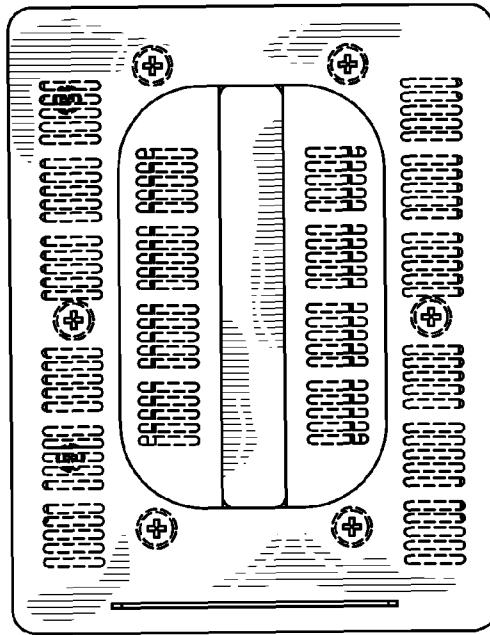


FIG. 6

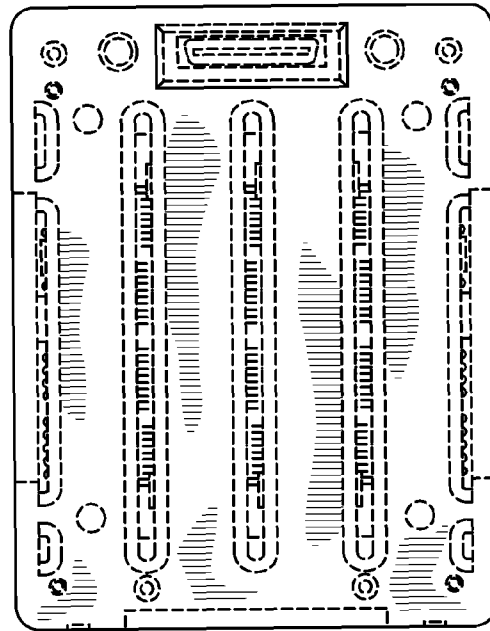


FIG. 7