



US00D618595S

(12) **United States Design Patent**  
**Ware et al.**

(10) **Patent No.:** **US D618,595 S**

(45) **Date of Patent:** **\*\* Jun. 29, 2010**

(54) **VEHICLE BODY**

(75) Inventors: **John H. Ware**, Sao Paulo (BR);  
**Matthew J. Noone**, Rochester Hills, MI  
(US); **Steve S. Kim**, Shelby Township,  
MI (US); **Daniel Sizuo Nozaki**, Sao  
Paulo (BR); **Carlos M. Barba**, Sao  
Paulo (BR)

(73) Assignee: **GM Global Technology Operations,  
Inc.**, Detroit, MI (US)

(\*\*) Term: **14 Years**

(21) Appl. No.: **29/350,749**

(22) Filed: **Nov. 23, 2009**

(51) **LOC (9) Cl.** ..... **12-08**

(52) **U.S. Cl.** ..... **D12/98**

(58) **Field of Classification Search** ..... D12/86,  
D12/90-92, 98; 296/181.1, 181.5, 183.1,  
296/37.6

See application file for complete search history.

(56) **References Cited**

U.S. PATENT DOCUMENTS

D509,772 S \* 9/2005 Hattori et al. .... D12/98  
D536,644 S \* 2/2007 Shimoguchi et al. .... D12/98  
D537,016 S \* 2/2007 Shimoguchi et al. .... D12/98

D537,385 S \* 2/2007 Shimoguchi et al. .... D12/98  
D570,742 S \* 6/2008 Takagi et al. .... D12/98  
D570,743 S \* 6/2008 Takagi et al. .... D12/98  
D571,690 S \* 6/2008 Takagi et al. .... D12/98  
D596,532 S \* 7/2009 Opfer et al. .... D12/98  
D607,783 S \* 1/2010 Roller et al. .... D12/98

\* cited by examiner

*Primary Examiner*—Melody N Brown

(74) *Attorney, Agent, or Firm*—Reising Ethington P.C.

(57) **CLAIM**

The ornamental design for a vehicle body, as shown and described.

**DESCRIPTION**

FIG. 1 is a front view of a vehicle body showing the new design;

FIG. 2 is a left front perspective view thereof;

FIG. 3 is a left side view thereof;

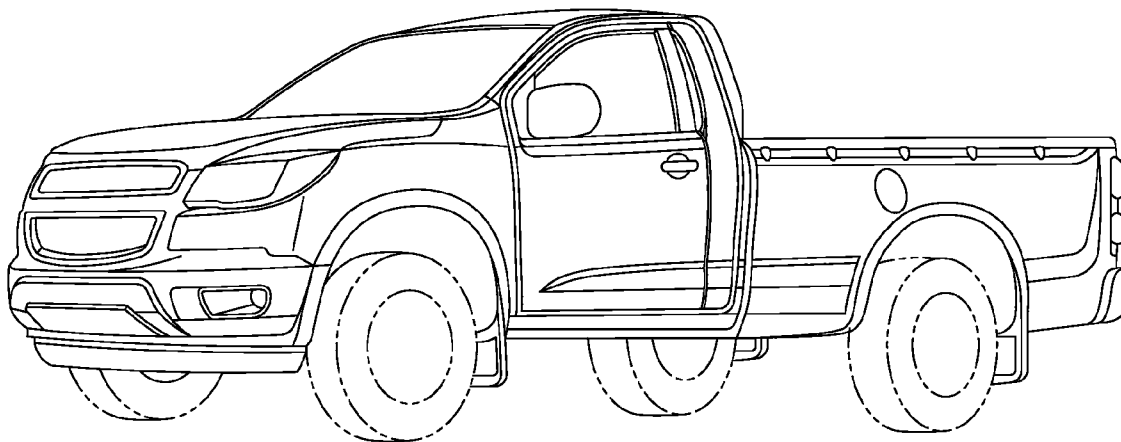
FIG. 4 is a left rear perspective view thereof;

FIG. 5 is a rear view thereof; and,

FIG. 6 is a top view thereof.

In the drawings, the elements shown in broken lines are for illustrative purposes only and form no part of the claimed design.

**1 Claim, 6 Drawing Sheets**



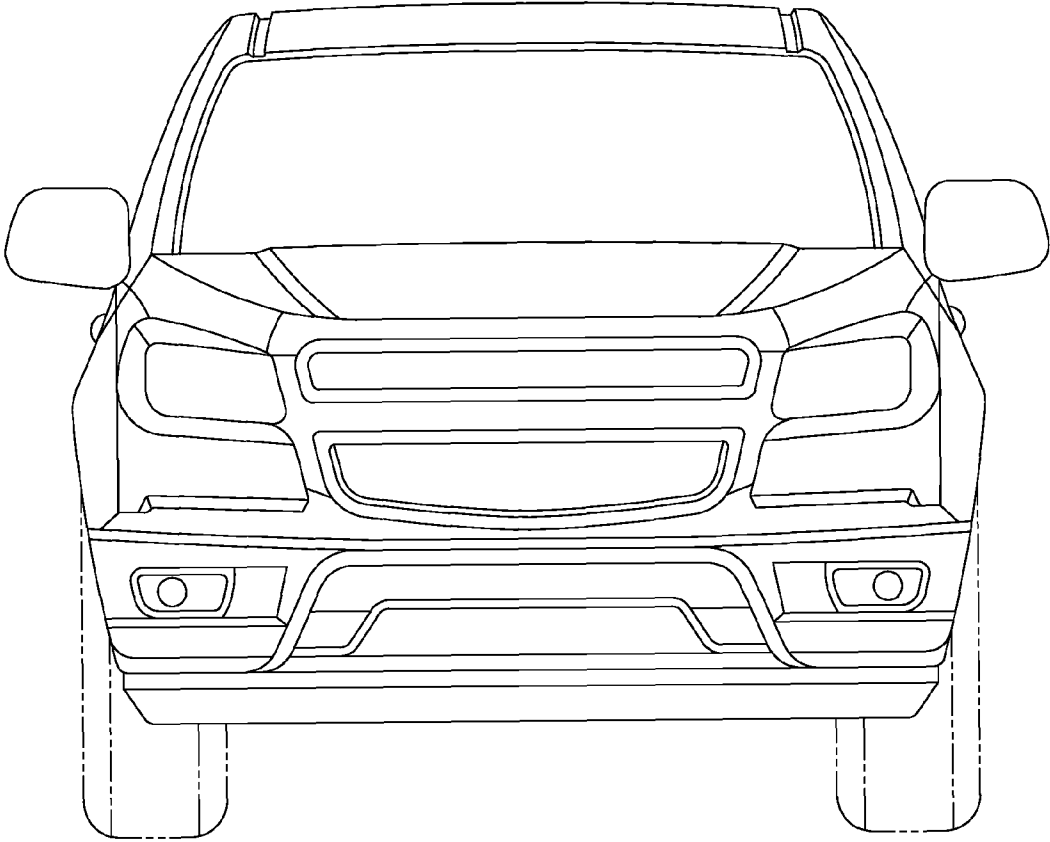


Fig-1

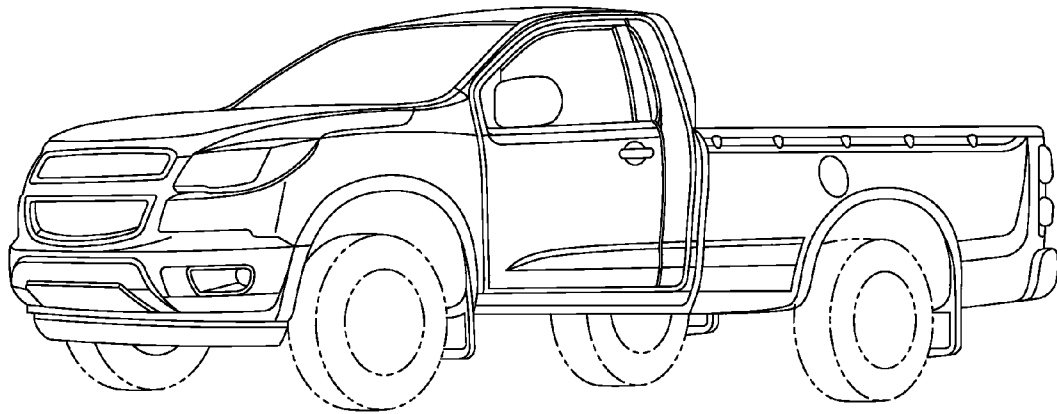


Fig-2

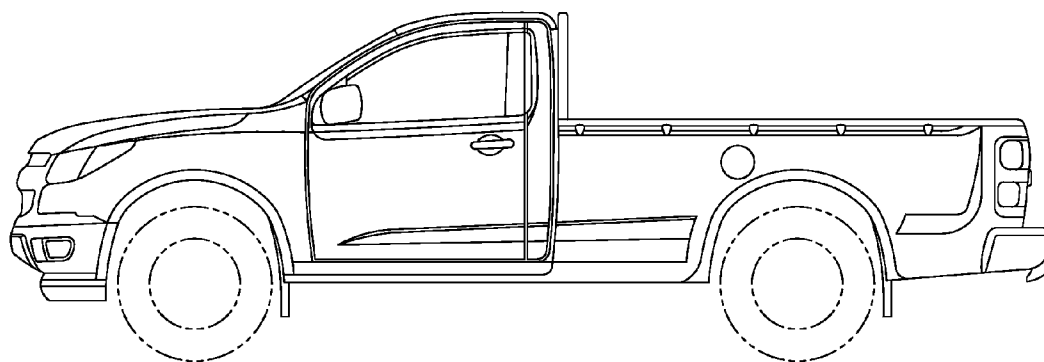


Fig-3

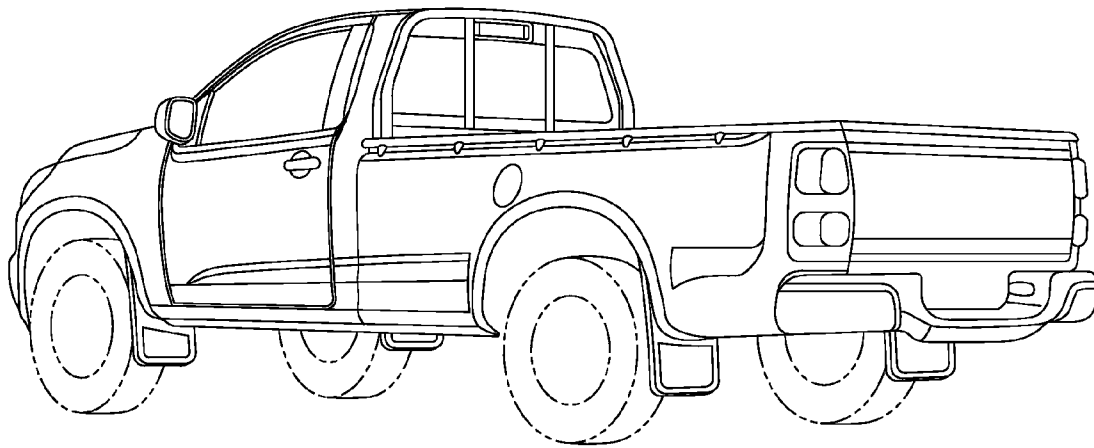


Fig-4

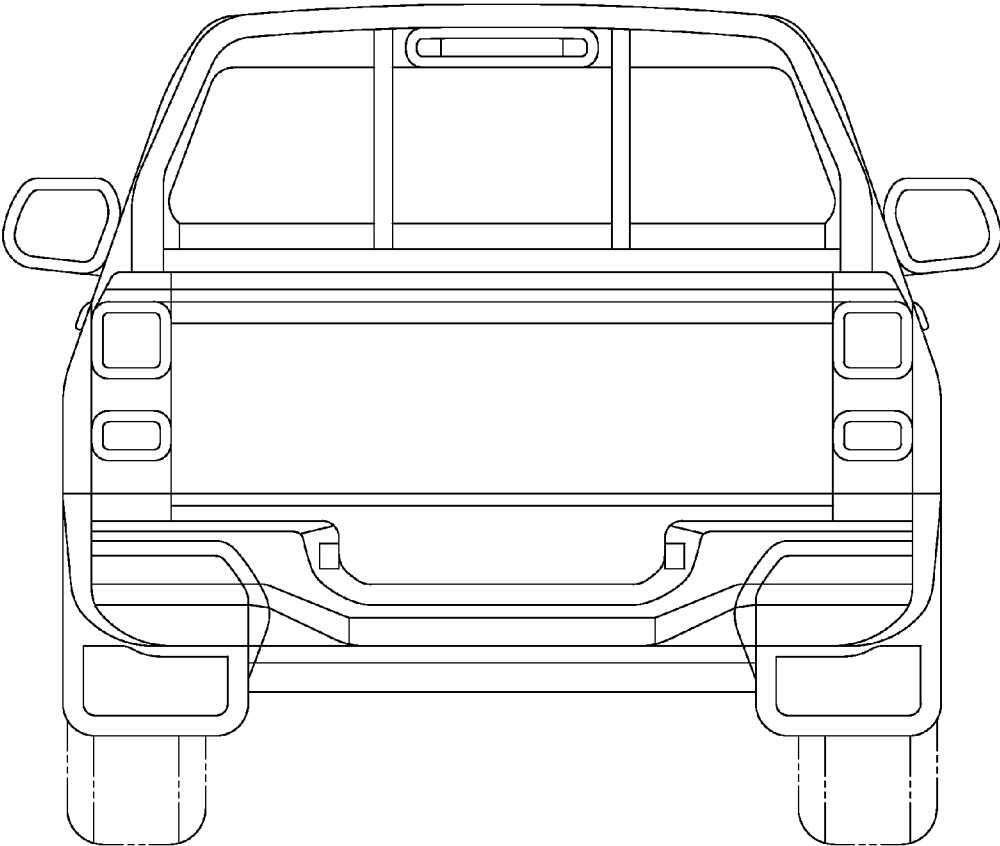


Fig-5

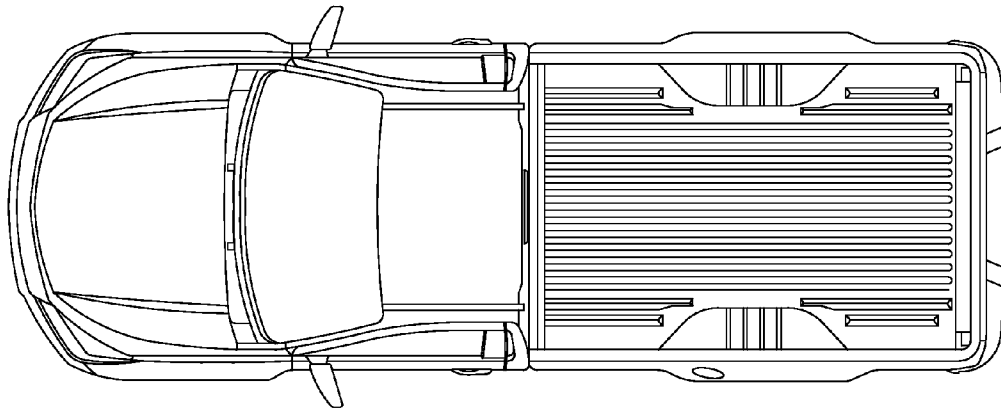


Fig-6