



US00D463711S

(12) **United States Design Patent** (10) **Patent No.:** **US D463,711 S**  
**Josancy** (45) **Date of Patent:** **\*\* Oct. 1, 2002**

(54) **FRYER**  
(75) Inventor: **Luc Josancy**, Sainte Colombe (FR)  
(73) Assignee: **SEB**, Selongey (FR)  
(\*\*) Term: **14 Years**

D387,243 S \* 12/1997 Bumoux ..... D7/354  
D422,447 S \* 4/2000 Josancy ..... D7/354  
D446,680 S \* 8/2001 Falt et al. .... D7/354

\* cited by examiner

*Primary Examiner*—Caron D. Veynar  
(74) *Attorney, Agent, or Firm*—Browdy and Neimark

(21) Appl. No.: **29/139,884**  
(22) Filed: **Apr. 9, 2001**

(57) **CLAIM**

The ornamental design for a fryer, as shown and described.

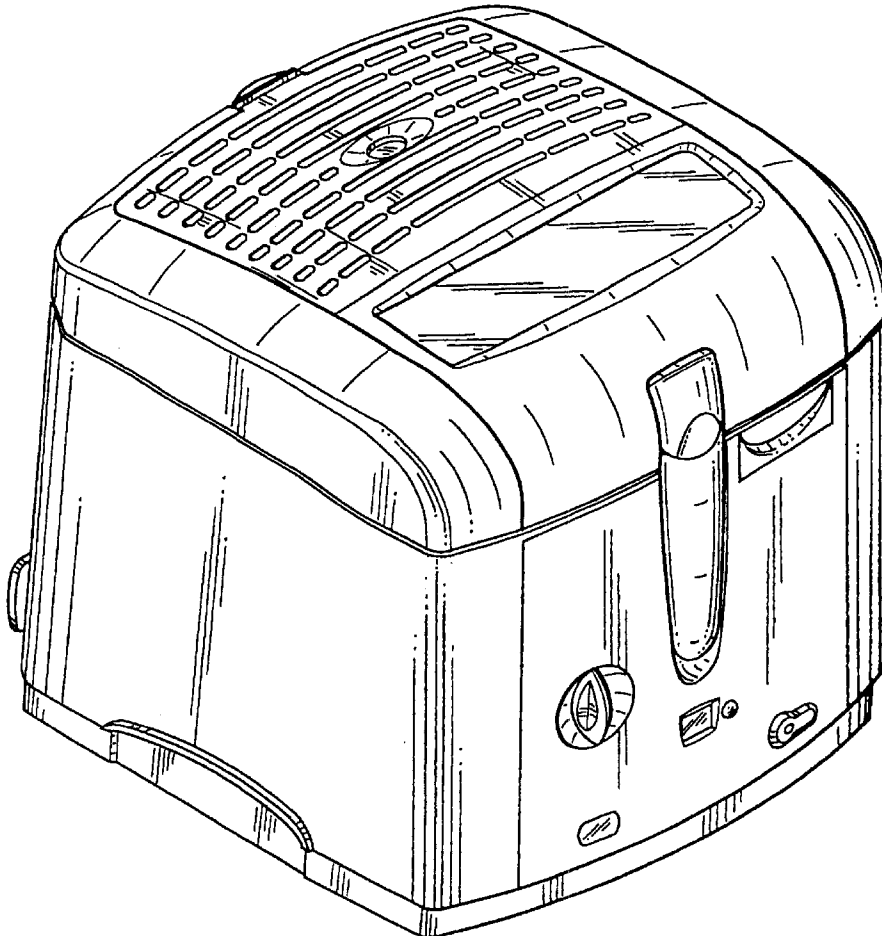
(30) **Foreign Application Priority Data**  
Oct. 9, 2000 (FR) ..... 00 6023  
(51) **LOC (7) Cl.** ..... **07-02**  
(52) **U.S. Cl.** ..... **D7/354**  
(58) **Field of Search** ..... D7/323, 354-361;  
99/331, 403, 410, 411, 413; 219/429, 432,  
438, 440

**DESCRIPTION**

FIG. 1 is a front elevational view of a fryer in accordance with the present design;  
FIG. 2 is a back elevational view thereof;  
FIG. 3 is a left elevational view thereof;  
FIG. 4 is a right elevational view thereof;  
FIG. 5 is a top plan view thereof;  
FIG. 6 is a bottom plan view thereof; and,  
FIG. 7 is a perspective view thereof.

(56) **References Cited**  
**U.S. PATENT DOCUMENTS**  
D365,723 S \* 1/1996 Powell ..... D7/354

**1 Claim, 7 Drawing Sheets**



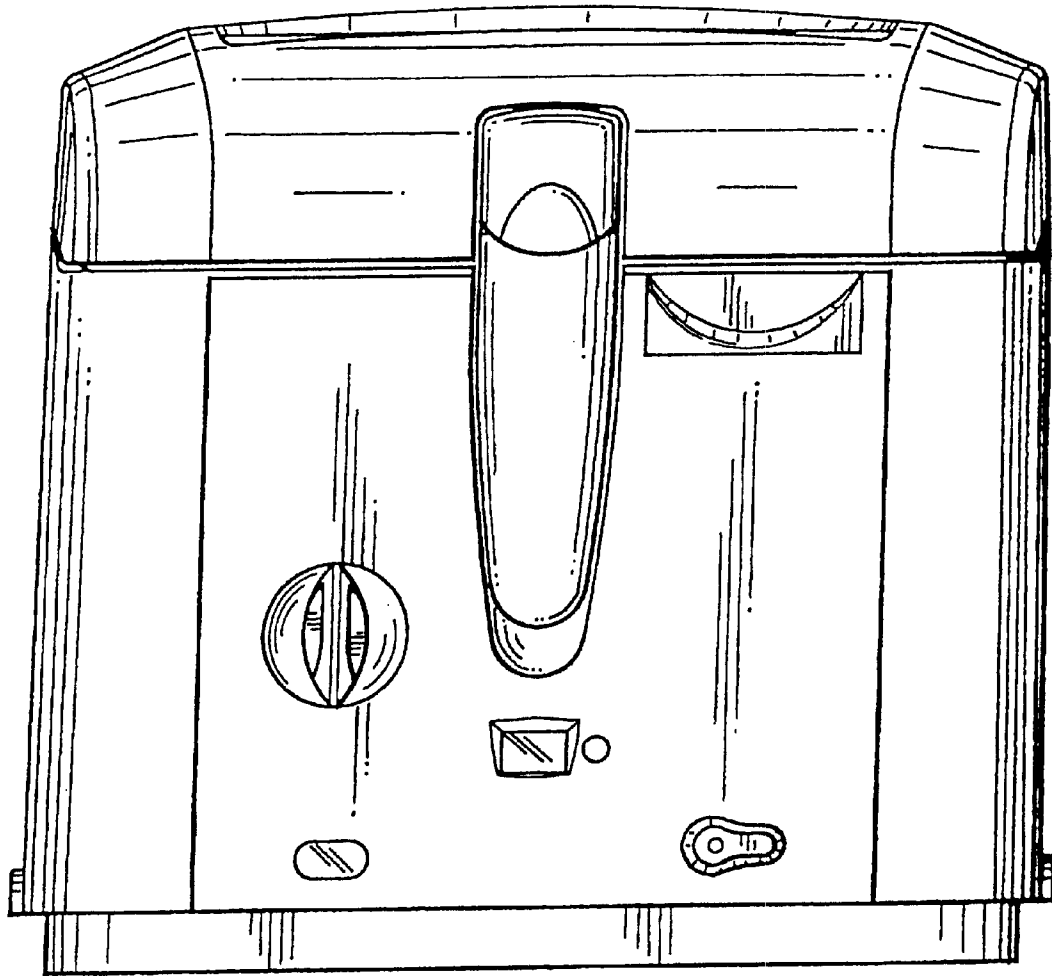


FIG. 1

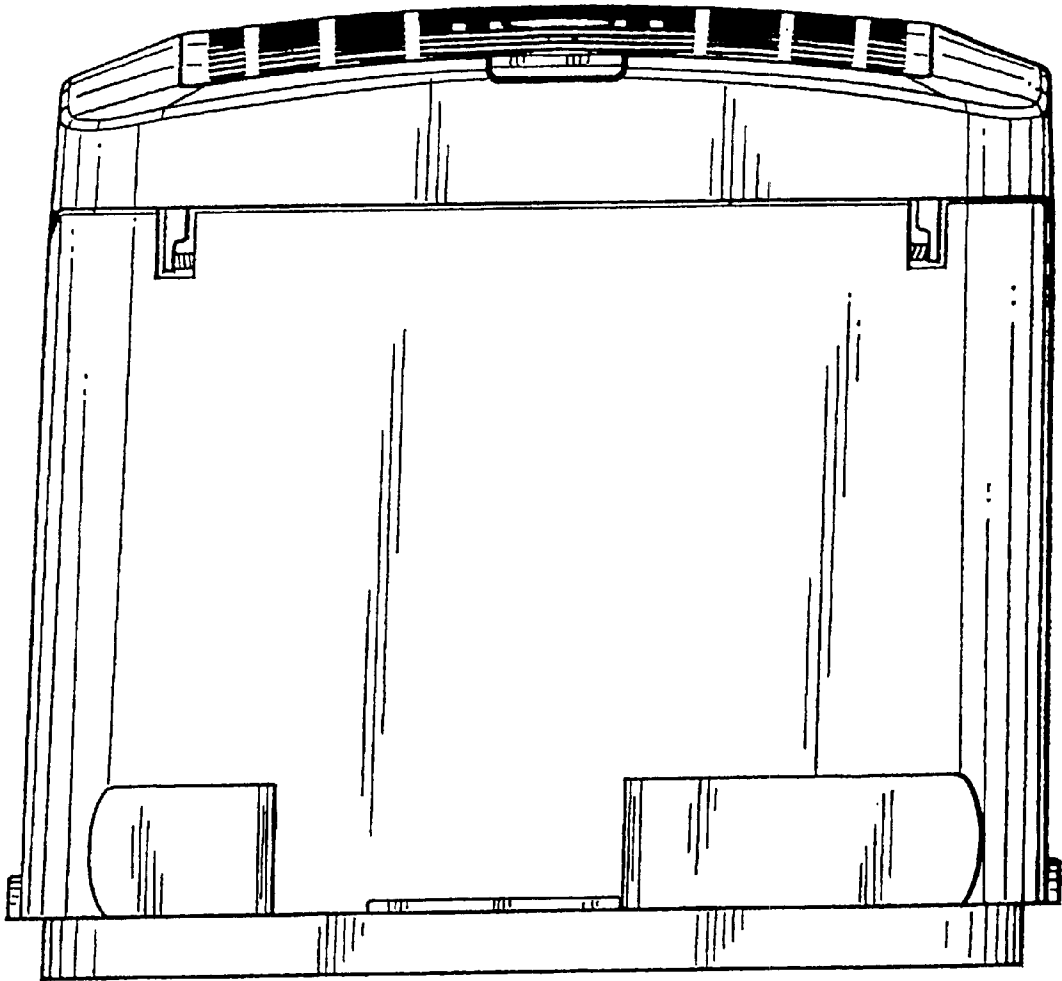


FIG. 2

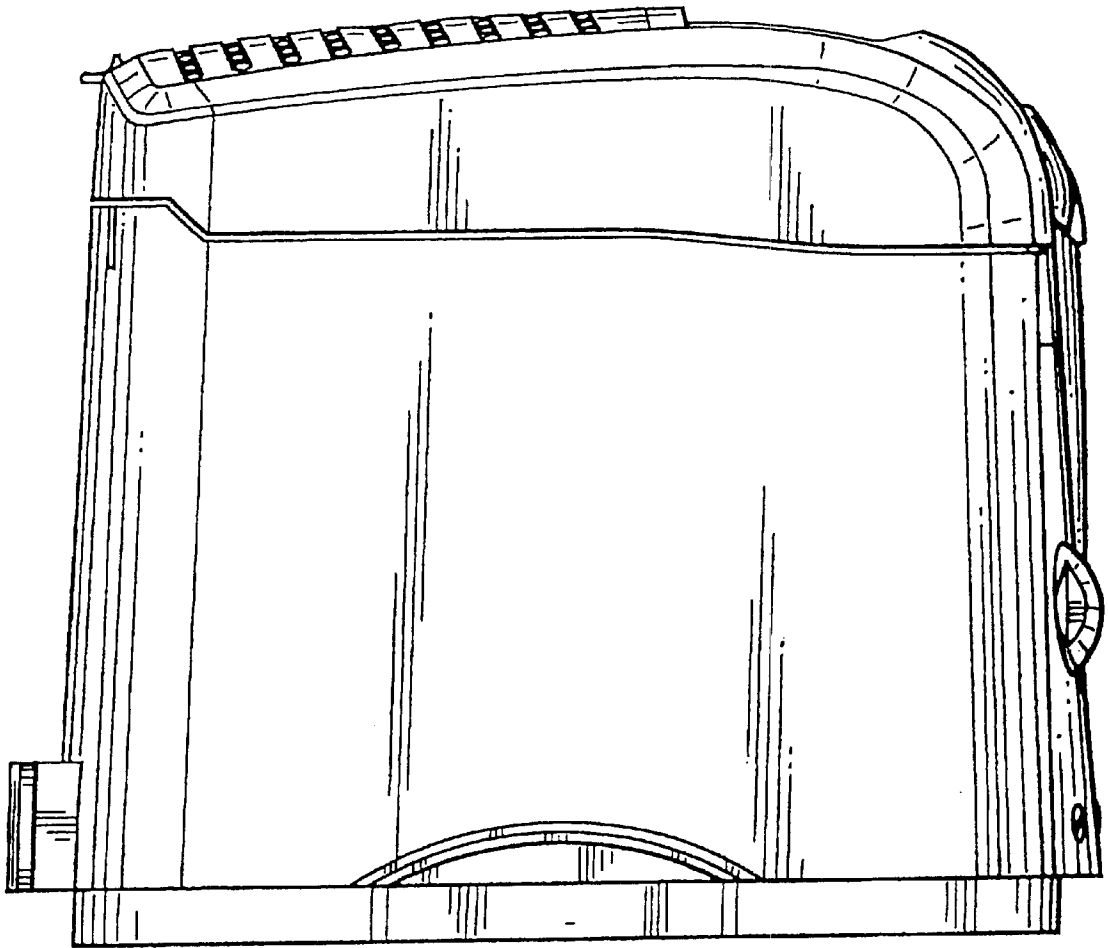


FIG. 3

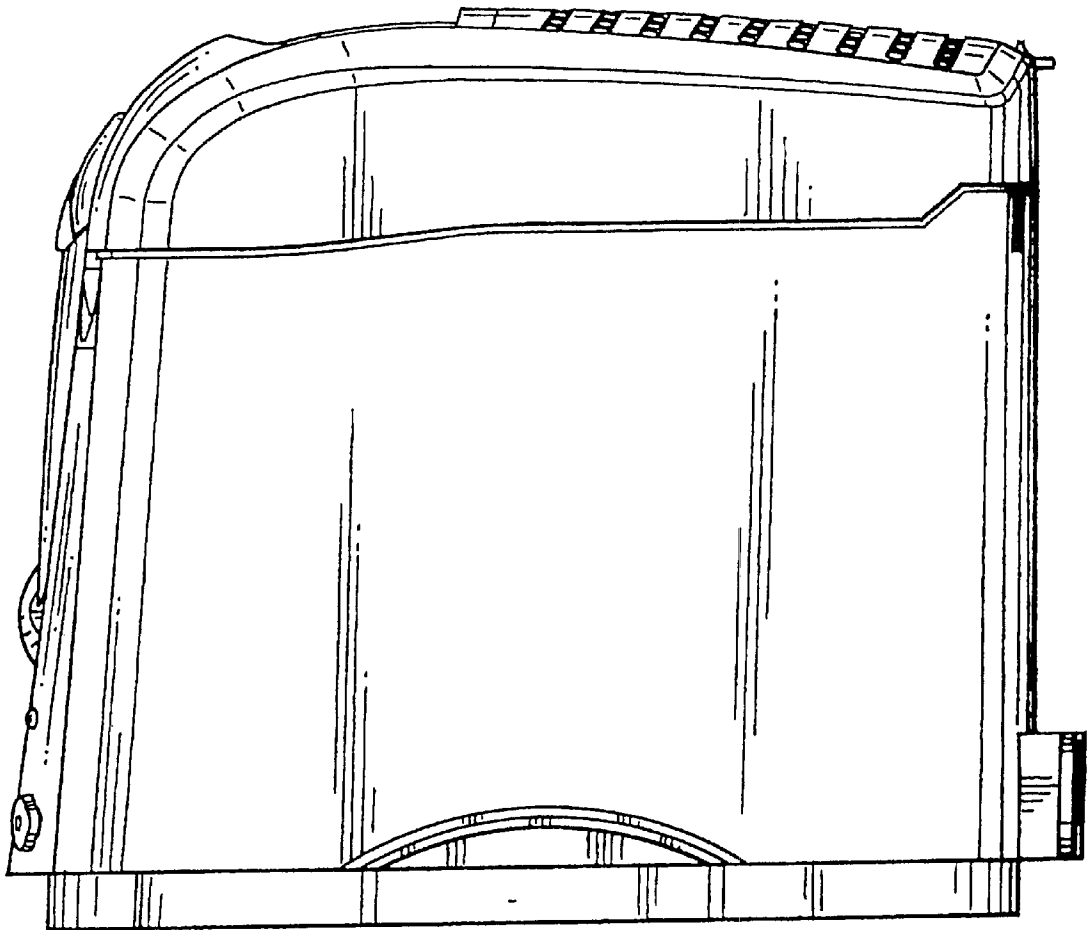


FIG. 4

FIG. 5

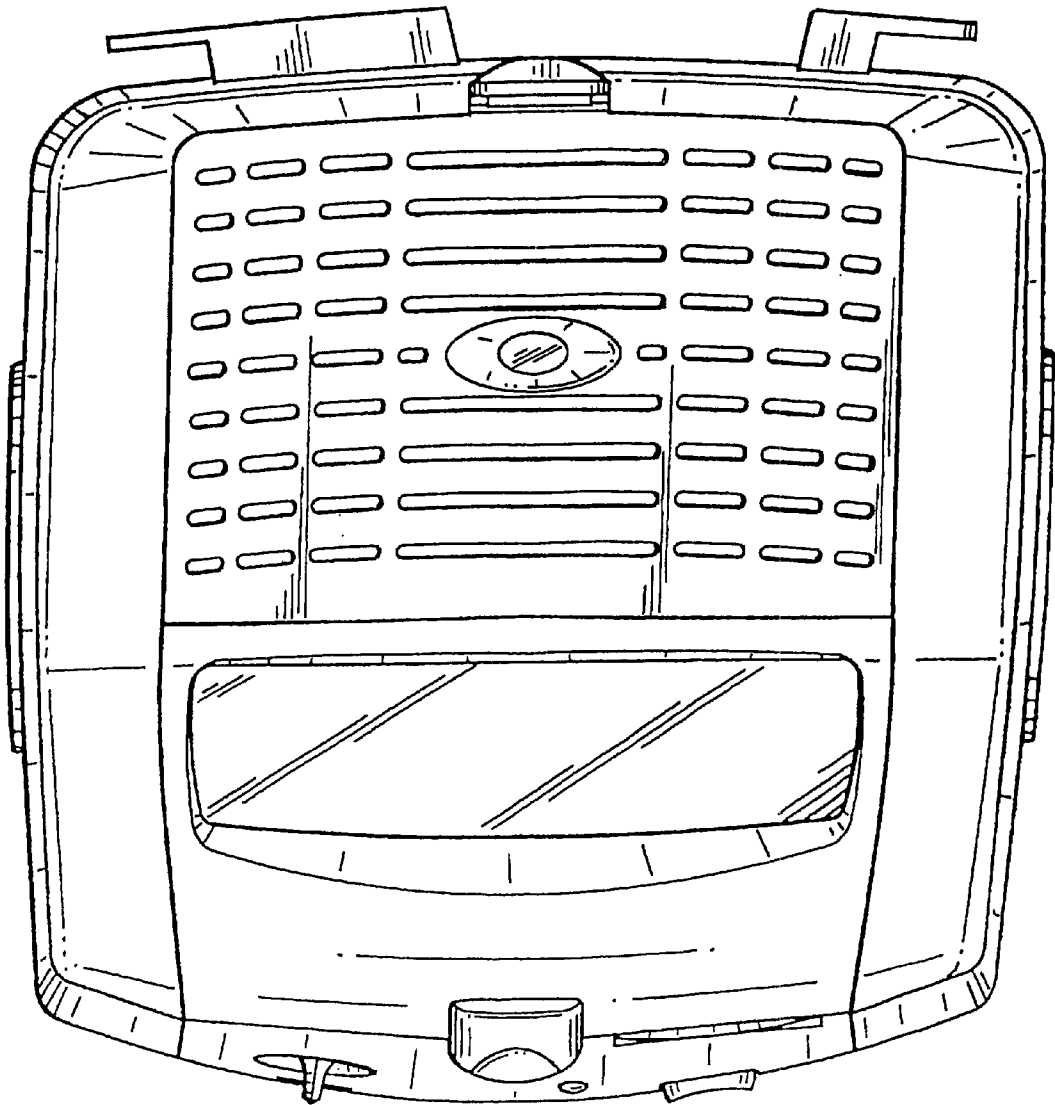
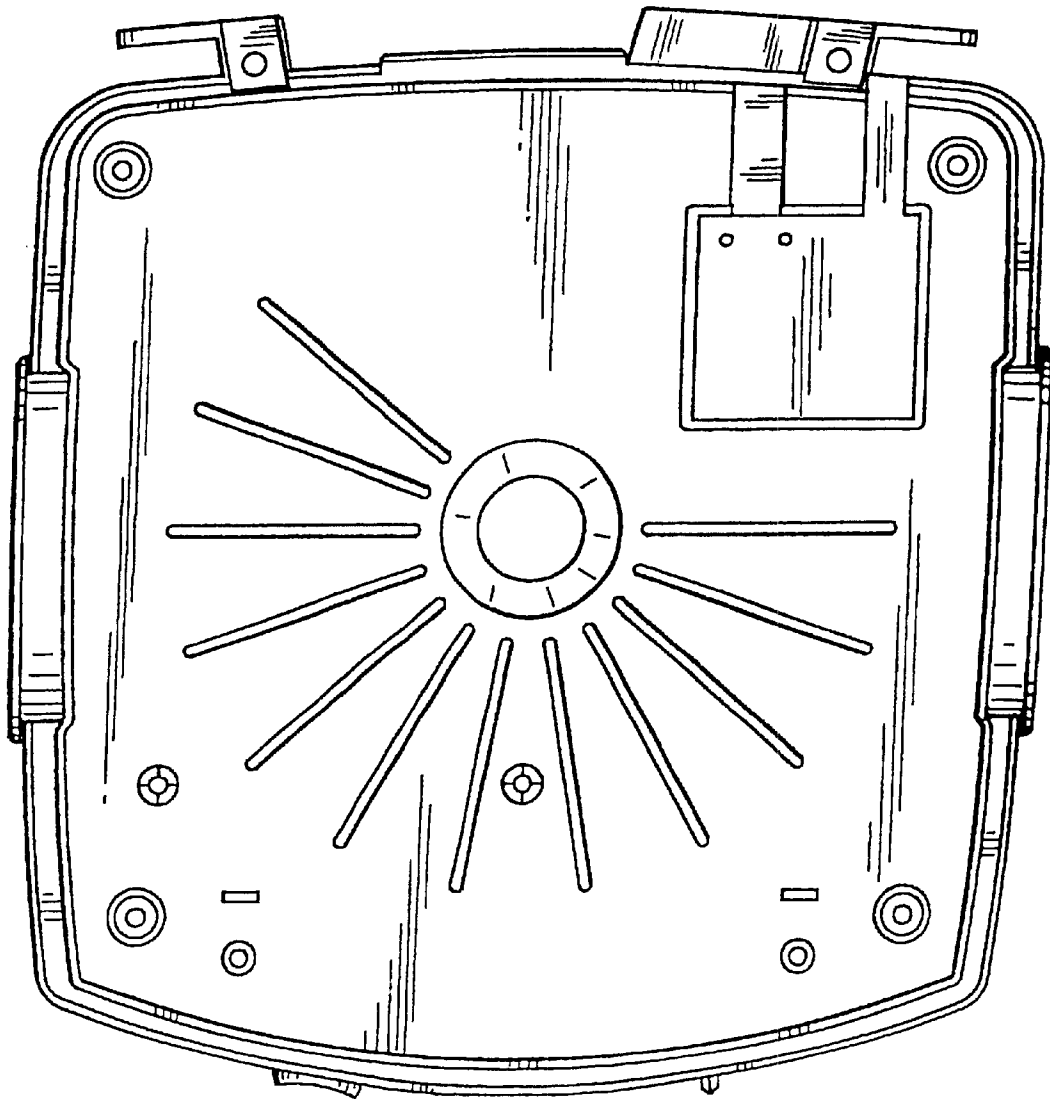


FIG. 6



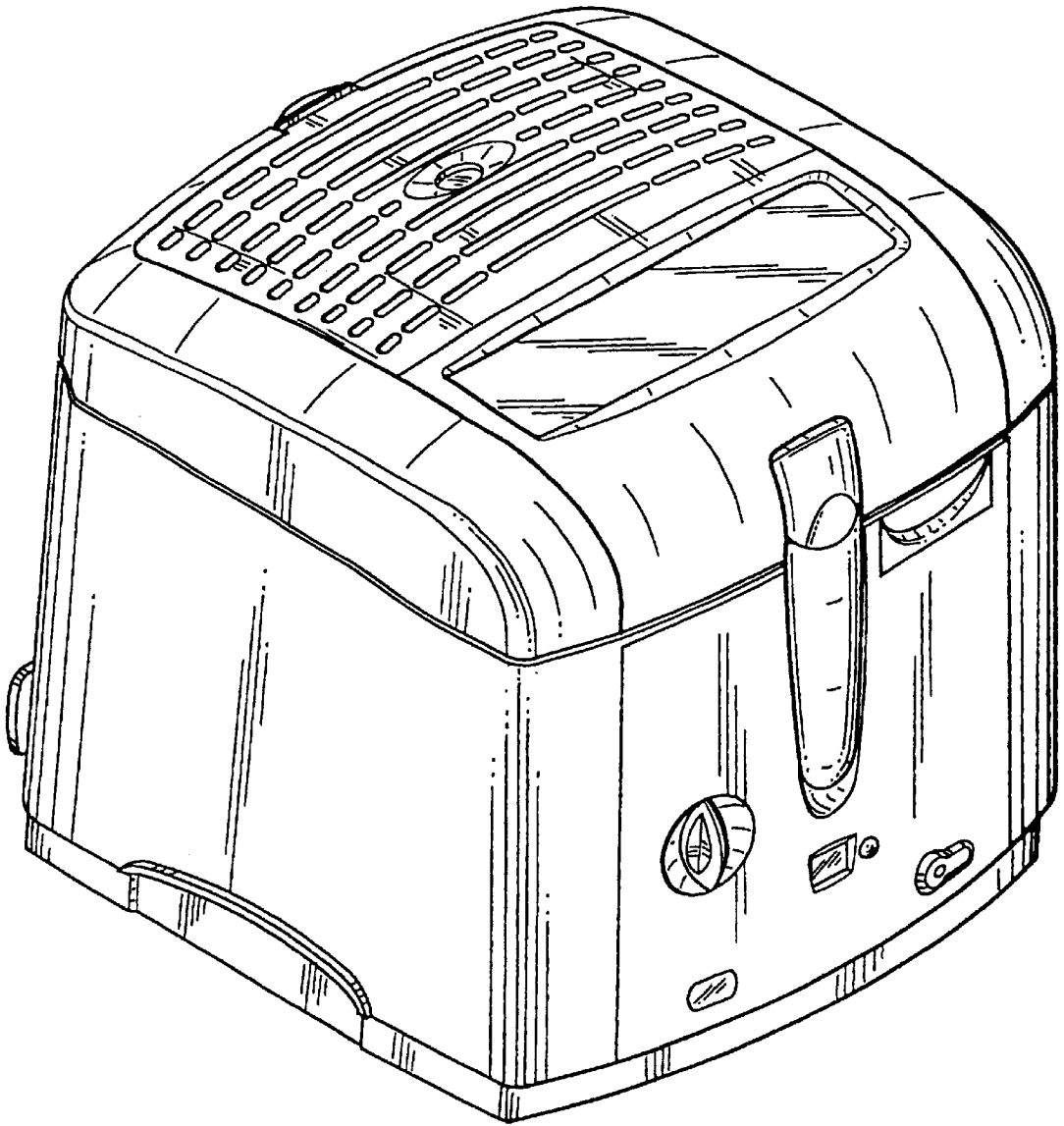


FIG. 7