



US00D778146S

(12) **United States Design Patent**
Kausemann

(10) **Patent No.:** **US D778,146 S**

(45) **Date of Patent:** **** Feb. 7, 2017**

(54) **CASTER FOR FURNITURE**

(71) Applicant: **RHOMBUS ROLLEN
HOLDING-GMBH, Hückeswagen
(DE)**

(72) Inventor: **Roland Kausemann, Remscheid (DE)**

(**) Term: **15 Years**

(21) Appl. No.: **35/500,167**

(22) Filed: **Aug. 13, 2015**

(80) **Hague Agreement Data**

Int. Filing Date: **Aug. 13, 2015**

Int. Reg. No.: **DM/087588**

Int. Reg. Date: **Aug. 13, 2015**

Int. Reg. Pub. Date: **Oct. 2, 2015**

(51) **LOC (10) Cl.** **08-05**

(52) **U.S. Cl.**
USPC **D8/375**

(58) **Field of Classification Search**
USPC D8/375, 374, 382, 354, 377, 358; D24/183;
D21/424, 425, 533-536; D12/19; D3/318,
D3/279, 271.12; D34/14, 19, 24, 25,
D34/27; D25/48.4
CPC B60B 33/0002; B60B 33/00; Y10T 16/18;
Y10T 16/209; Y10T 16/216; A47B 91/06;
A47C 7/006; E05D 15/0678; F16C
13/006; F16C 2326/02; F16C 33/4652;
F16C 33/498; F16C 33/74; Y10S 297/04
See application file for complete search history.

(56) **References Cited**

U.S. PATENT DOCUMENTS

D240,399 S * 7/1976 Crescenzi et al. D8/375
D241,004 S * 8/1976 Pinaire et al. D8/375

D241,513 S * 9/1976 Fontana D8/375
D241,611 S * 9/1976 Crescenzi et al. D8/375
D244,989 S * 7/1977 Crescenzi D8/375
D288,286 S * 2/1987 Screen D8/375
D288,287 S * 2/1987 Screen D8/375
D340,182 S * 10/1993 Soltani D8/375
D343,788 S * 2/1994 Soltani D8/375
D345,689 S * 4/1994 Morooka D8/375
D353,090 S * 12/1994 Wright D8/375
D456,697 S * 5/2002 Holbrook D8/375
D457,809 S * 5/2002 Holbrook D8/375
D460,346 S * 7/2002 Screen D8/375
D465,725 S * 11/2002 Holbrook D8/375
D558,035 S * 12/2007 Egger D8/375
D561,014 S * 2/2008 Brodbeck D8/375
D561,015 S * 2/2008 Brodbeck D8/375
D576,868 S * 9/2008 Minamiura D8/375
D593,847 S * 6/2009 Graffunder D8/375
D632,795 S * 2/2011 Matrunola D24/183
D639,148 S * 6/2011 Schioppa D8/375
D701,753 S * 4/2014 Kubota D8/375
D731,878 S * 6/2015 Lindsay D8/375
2005/0086765 A1 * 4/2005 Melara B60B 33/0002
16/22

* cited by examiner

Primary Examiner — Barbara Fox

Assistant Examiner — Eliza Bennett-Hattan

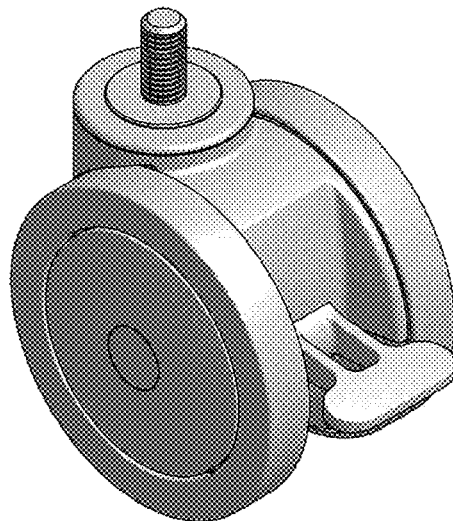
(57) **CLAIM**

The ornamental design for a caster for furniture, as shown and described.

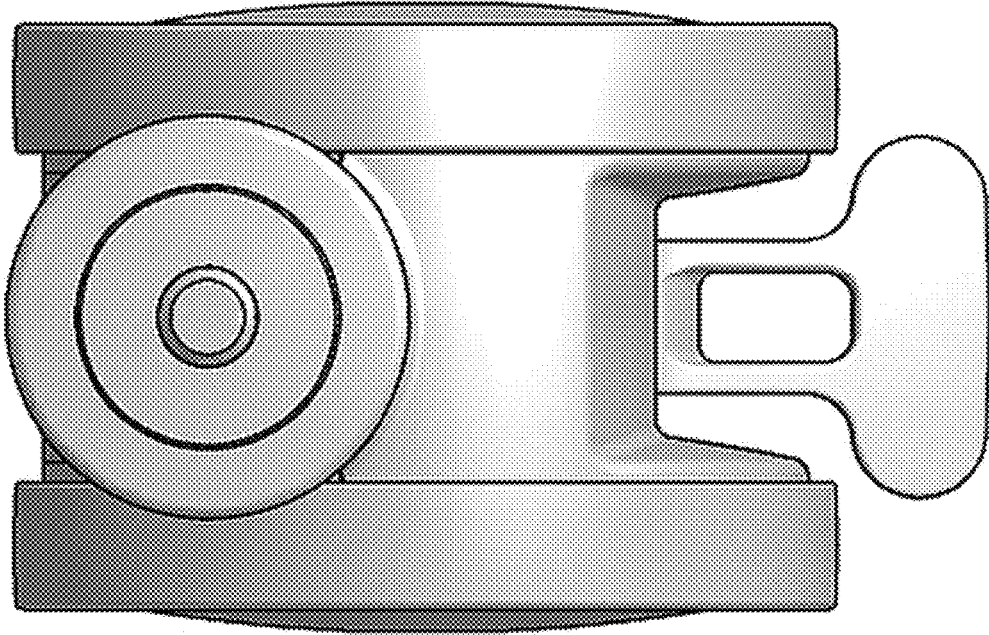
DESCRIPTION

FIG. 1.1 is a top view of a caster for furniture;
FIG. 1.2 is a rear view of a caster for furniture;
FIG. 1.3 is a front view of a caster for furniture;
FIG. 1.4 is a bottom view of a caster for furniture;
FIG. 1.5 is a front perspective view of a caster for furniture;
FIG. 1.6 is a side view of a caster for furniture; and
FIG. 1.7 is a rear perspective view of a caster for furniture.

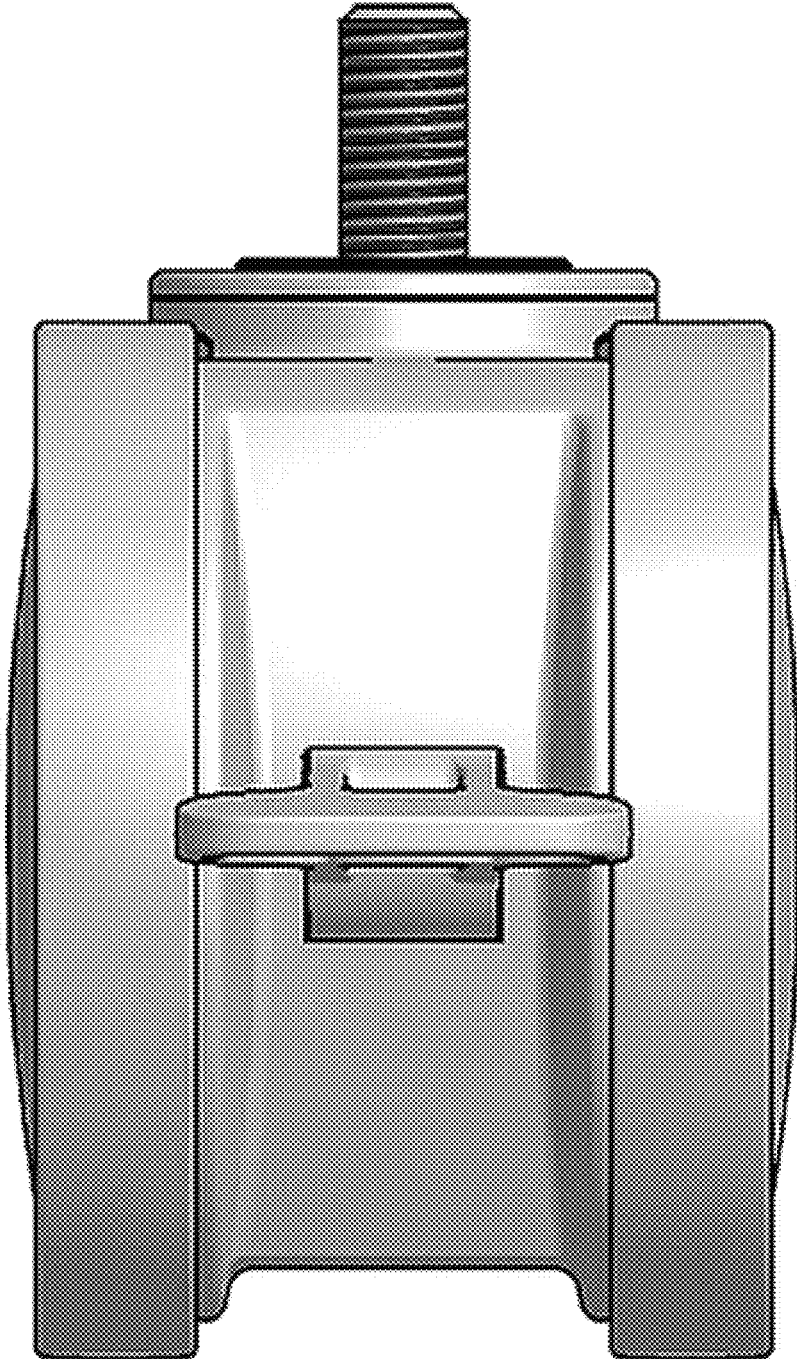
1 Claim, 7 Drawing Sheets



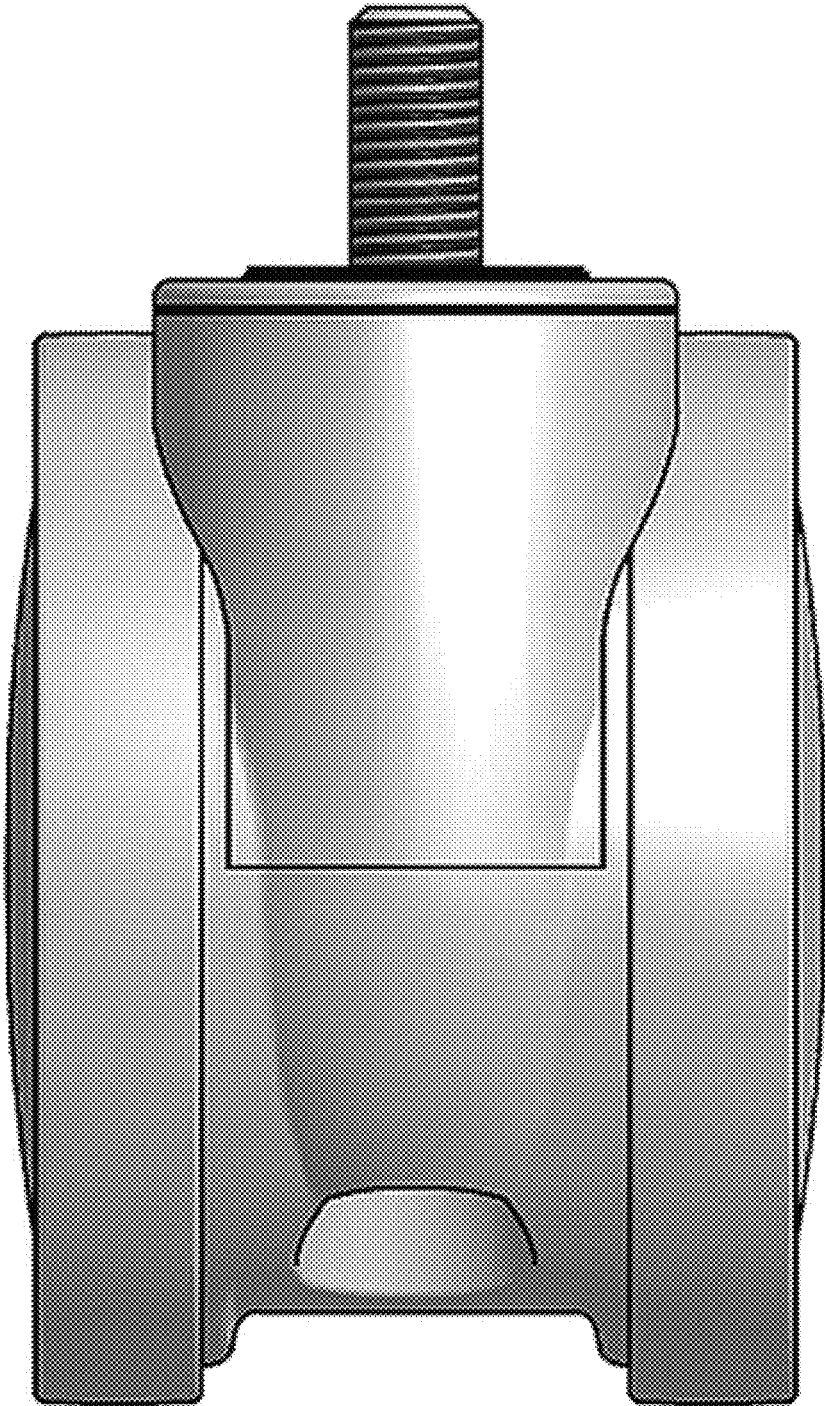
1.1



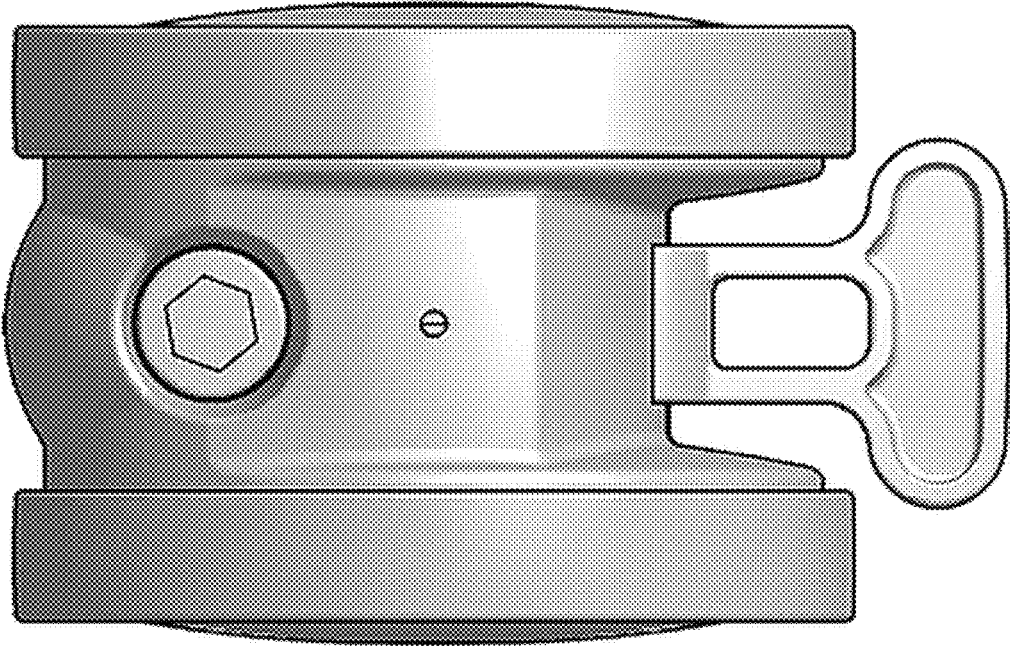
1.2



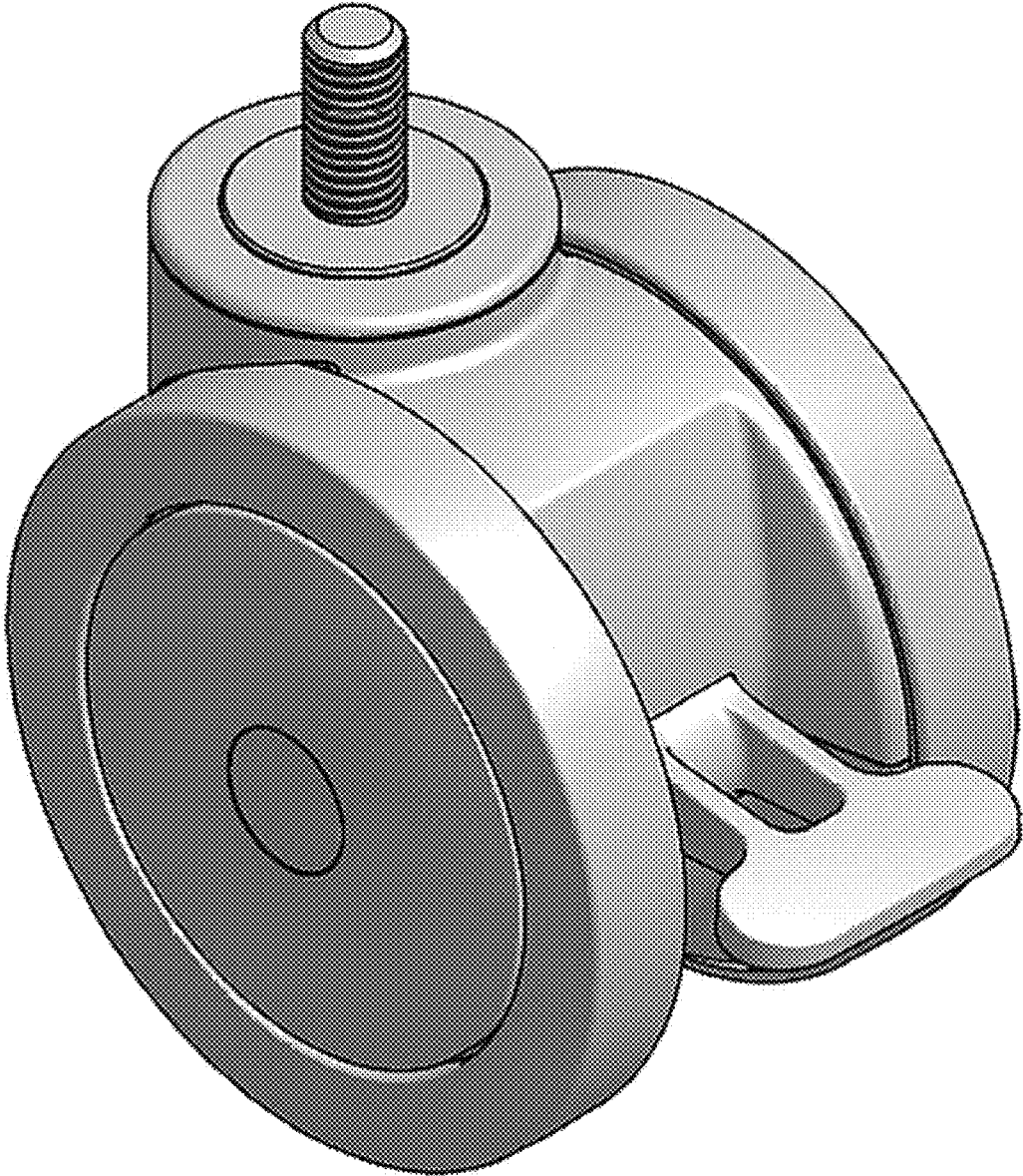
1.3



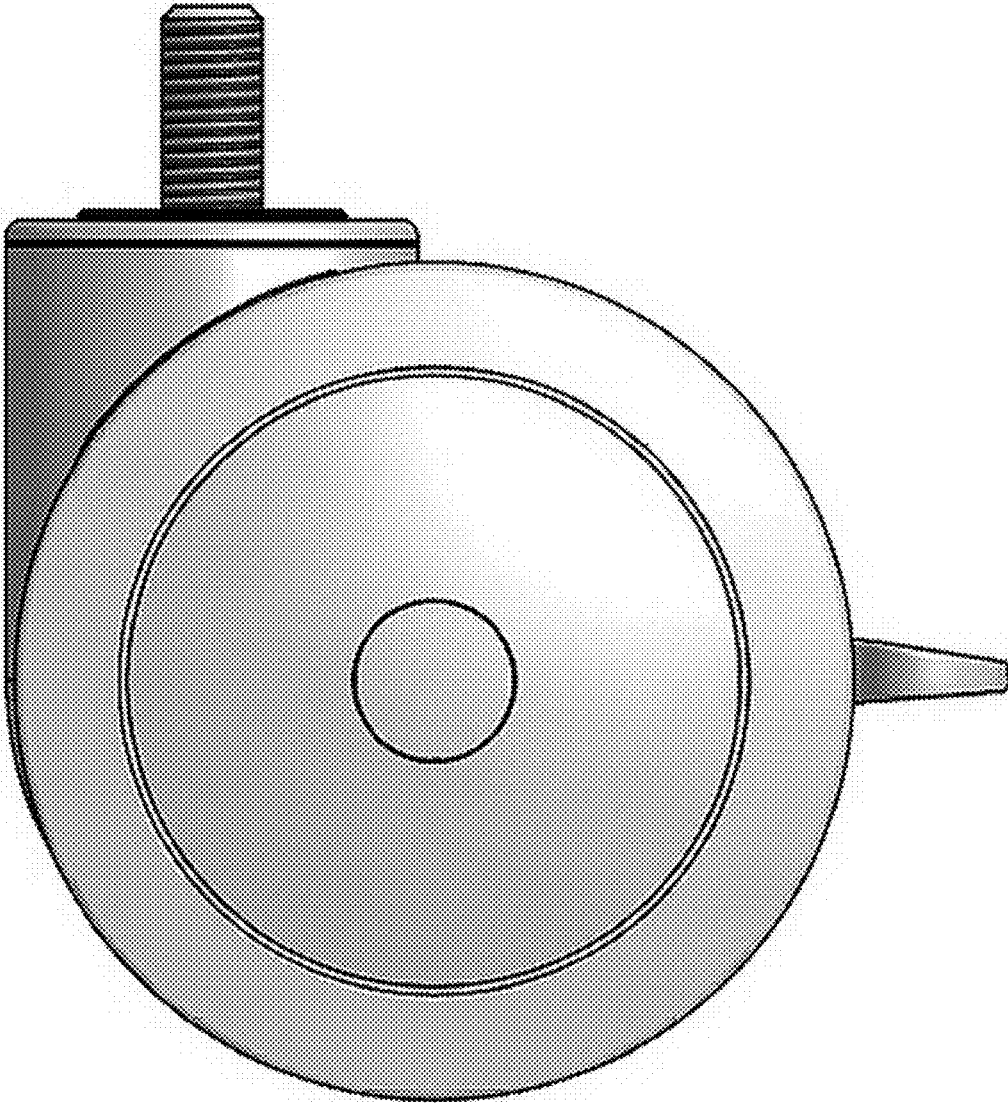
1.4



1.5



1.6



1.7

