



US00D804037S

(12) **United States Design Patent** (10) **Patent No.:** **US D804,037 S**  
**Payne et al.** (45) **Date of Patent:** **\*\* Nov. 28, 2017**

(54) **SELF-LIGATING ORTHODONTIC BRACKET**

OTHER PUBLICATIONS

(71) Applicant: **HENRY SCHEIN, INC.**, Carlsbad, CA (US)  
(72) Inventors: **Mark A. Payne**, Oceanside, CA (US); **Colin Corey**, Encinitas, CA (US); **Luis Carrière Lluch**, Barcelona (ES)

International Search Report, Feb. 2, 2017, 5 pages, from PCT/US2016/059197.

*Primary Examiner* — Wan Laymon  
(74) *Attorney, Agent, or Firm* — Fulwider Patton LLP

(\*\*) Term: **15 Years**

(57) **CLAIM**

The ornamental design for a self-ligating orthodontic bracket, as shown and described.

(21) Appl. No.: **29/573,026**

**DESCRIPTION**

(22) Filed: **Aug. 2, 2016**

(51) **LOC (10) Cl.** ..... **24-02**

(52) **U.S. Cl.**

USPC ..... **D24/180**

(58) **Field of Classification Search**

USPC ..... D24/176-182

CPC .. A61C 7/287; A61C 7/30; A61C 7/00; A61C 7/12; A61C 7/14; A61C 7/141; A61C 7/143; A61C 7/145; A61C 7/146

See application file for complete search history.

FIG. 1 is a top perspective view of a self-ligating orthodontic bracket in a closed mode showing our new design; FIG. 2 is a bottom perspective view thereof; FIG. 3 is a right side elevational view thereof; FIG. 4 is a left side elevational view thereof; FIG. 5 is a front perspective view thereof; FIG. 6 is a rear perspective view thereof; FIG. 7 is a top plan view thereof; FIG. 8 is a bottom plan view thereof; FIG. 9 is another top perspective view of the self-ligating orthodontic bracket of FIG. 1 in an open mode; FIG. 10 is a bottom perspective view of FIG. 9; FIG. 11 is a right side elevational view of FIG. 9; FIG. 12 is a left side elevational view of FIG. 9; FIG. 13 is a front perspective view of FIG. 9; FIG. 14 is a rear perspective view of FIG. 9; FIG. 15 is a top plan view of FIG. 9; and, FIG. 16 is a bottom plan view of FIG. 9.

As used herein, top views represent labial views of our design, bottom views represent lingual views of our design, front views represent occlusal views of our design, and rear views represent gingival views of our design. The features shown in broken lines with consistent dash lengths illustrate ornamentation, features, and/or environment that form no part of the claimed design.

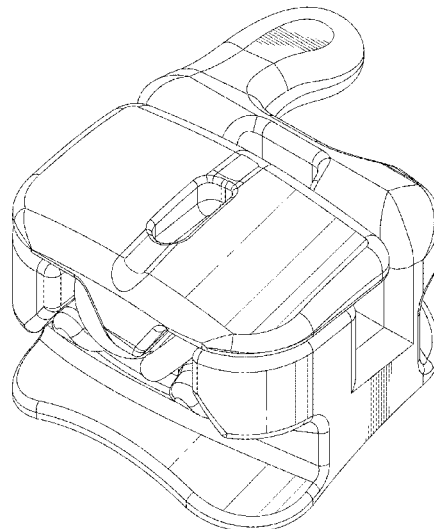
(56) **References Cited**

**U.S. PATENT DOCUMENTS**

4,838,786	A *	6/1989	Reher	.....	A61C 7/14
					433/9
D331,975	S *	12/1992	Pospisil	.....	D24/180
D358,650	S *	5/1995	Moschik	.....	D24/180
D367,116	S *	2/1996	Viazis	.....	D24/180
6,071,118	A	6/2000	Damon		
7,621,743	B2	11/2009	Bathen et al.		
7,704,072	B2	4/2010	Damon		
7,785,101	B2	8/2010	Forster et al.		
7,963,767	B2	6/2011	Lewis et al.		
8,033,824	B2	10/2011	Oda et al.		
D648,030	S	11/2011	Bryant et al.		
8,113,827	B2	2/2012	Farzin-Nia et al.		
8,251,696	B2	8/2012	Rodriguez et al.		
8,297,970	B2	10/2012	Kanomi et al.		

(Continued)

**1 Claim, 12 Drawing Sheets**



(56)

**References Cited**

## U.S. PATENT DOCUMENTS

8,992,214	B2 *	3/2015	Wu .....	A61C 7/287 433/11
9,089,386	B2	7/2015	Hagelganz et al.	
9,532,853	B2 *	1/2017	Huang .....	A61C 7/30
9,615,897	B2 *	4/2017	Sabilla .....	A61C 7/285
2009/0298003	A1	12/2009	Wei et al.	
2011/0086323	A1	4/2011	Wessinger	
2013/0224676	A1	8/2013	Alauddin et al.	
2014/0272752	A1	9/2014	Huang	
2014/0272753	A1	9/2014	Sommer et al.	
2015/0223913	A1	8/2015	Yick et al.	
2015/0265377	A1	9/2015	Wu et al.	
2016/0038258	A1	2/2016	Sabilla et al.	
2016/0374781	A1 *	12/2016	Sommer .....	A61C 7/30 433/11
2017/0119501	A1 *	5/2017	Payne .....	A61C 7/287

\* cited by examiner

*FIG. 1*

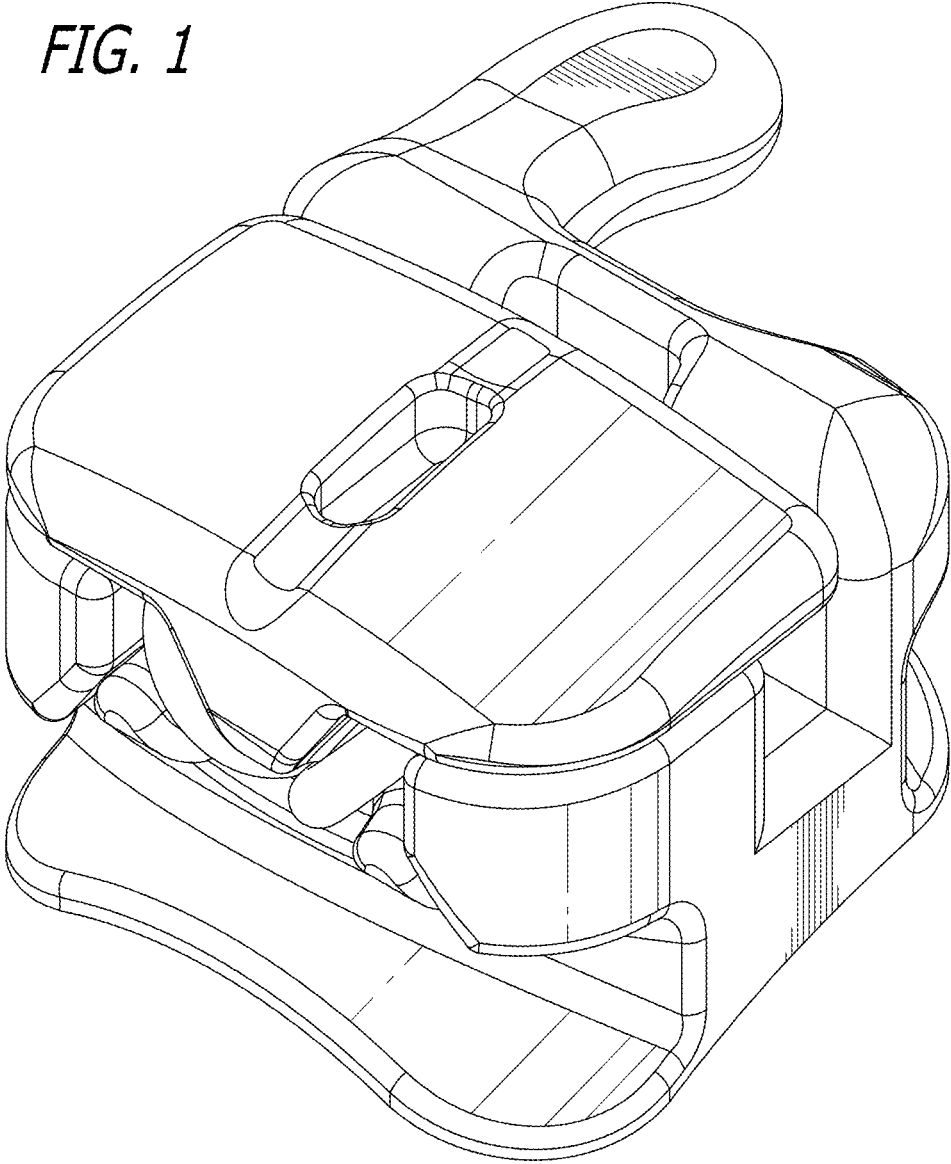
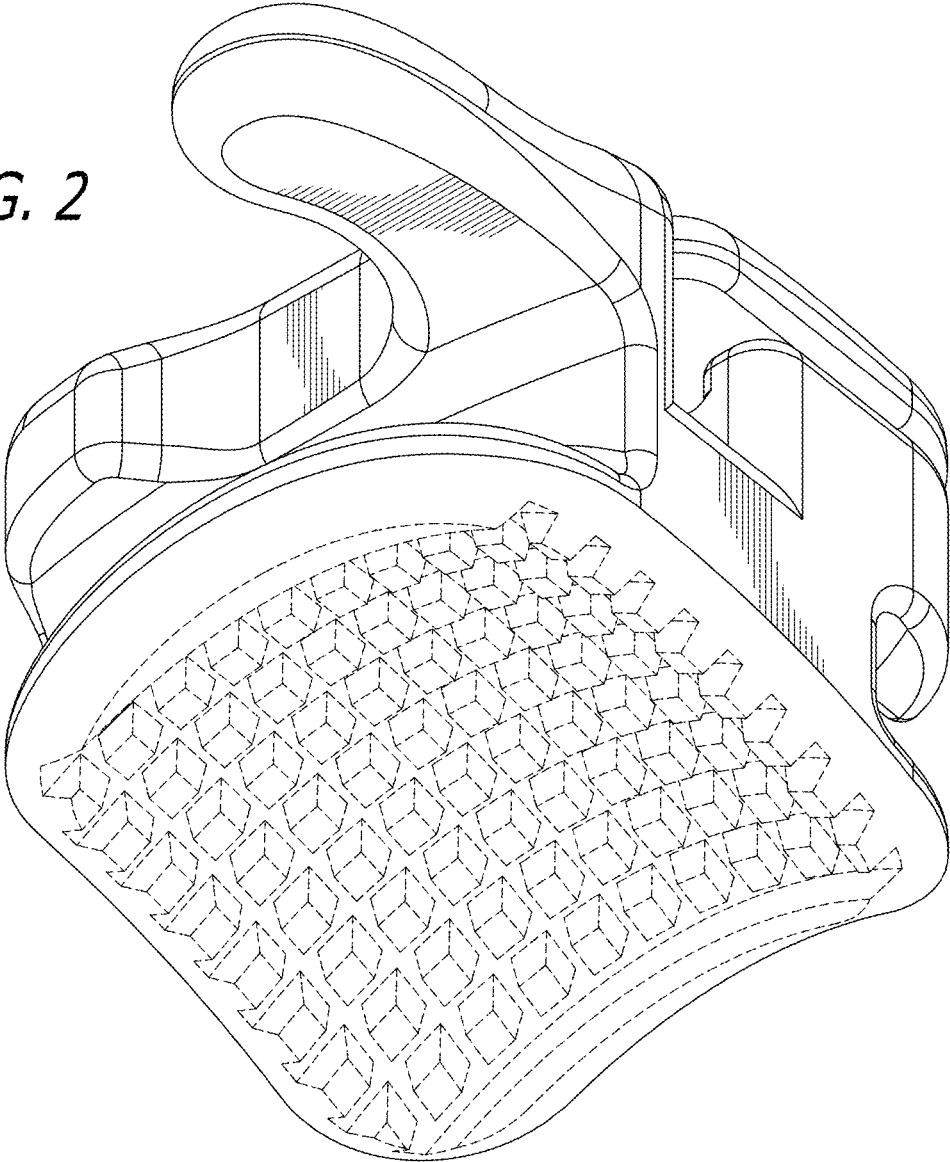


FIG. 2



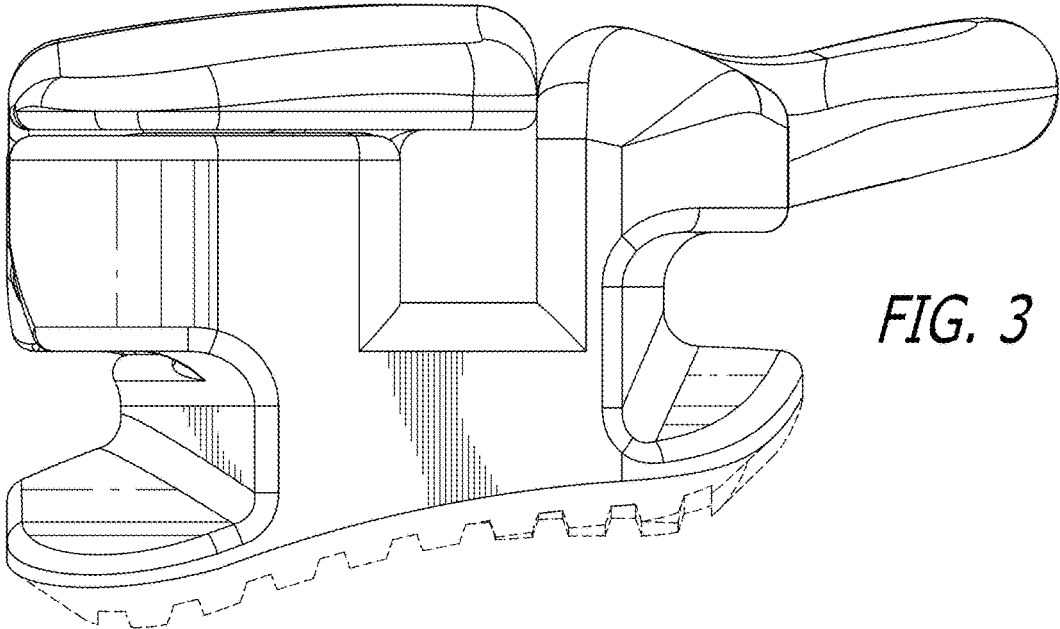


FIG. 3

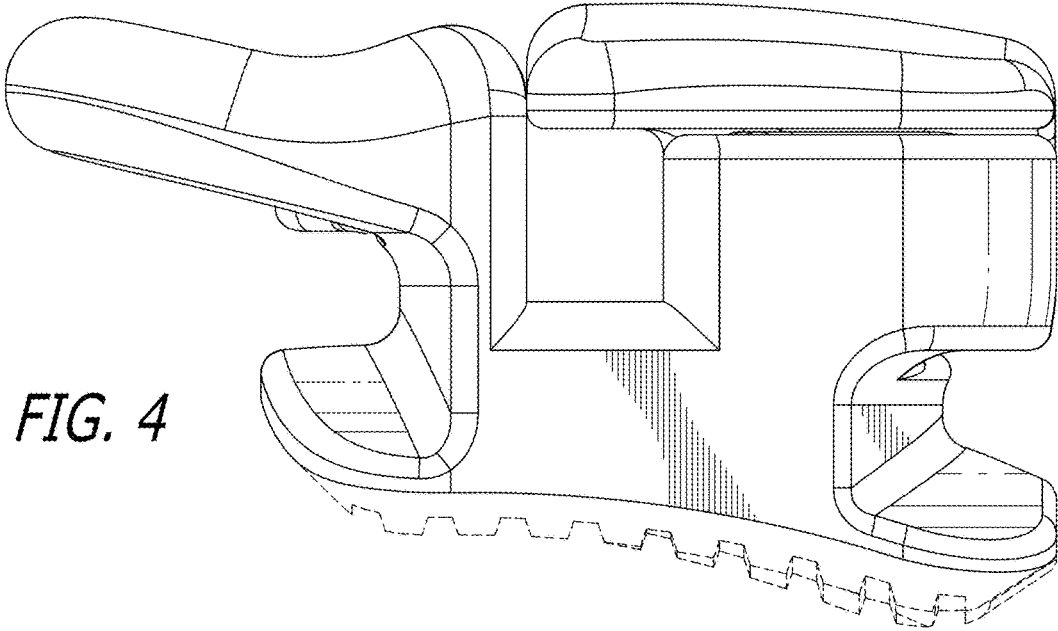
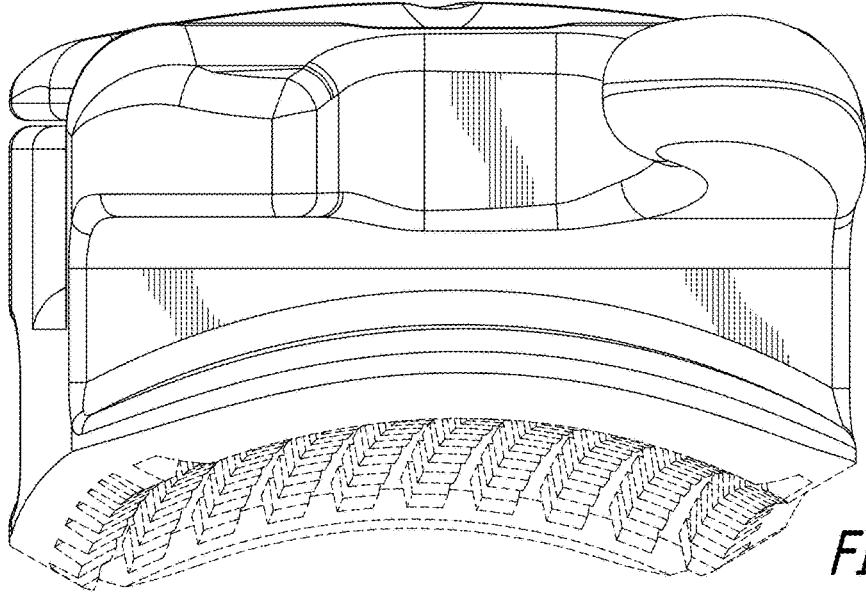
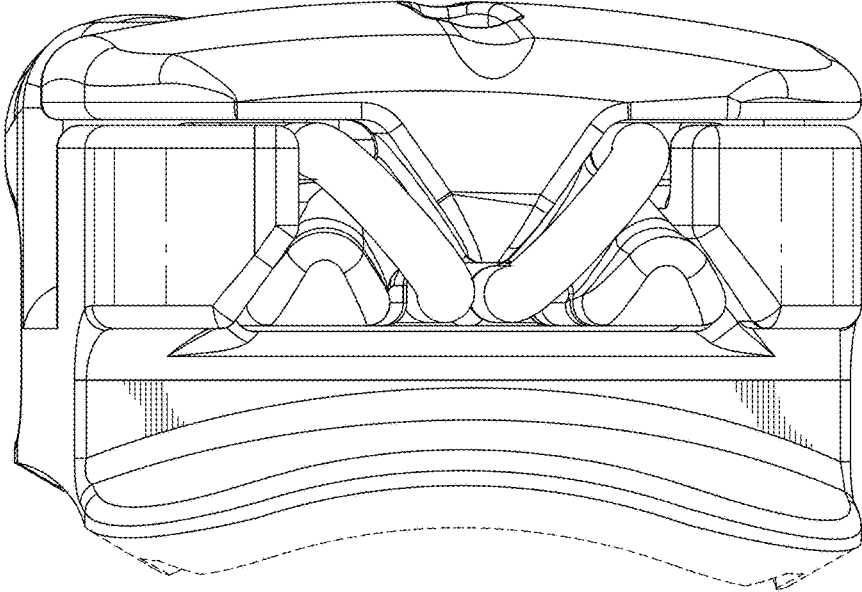
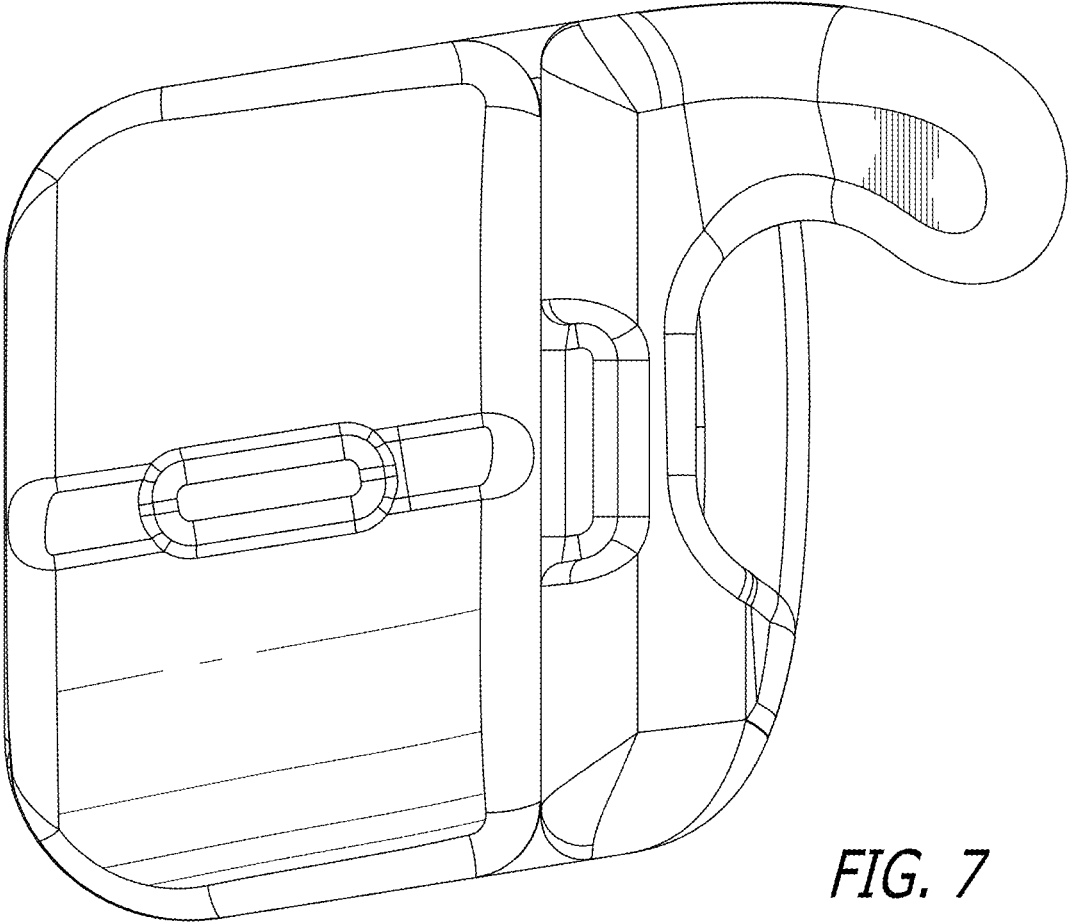


FIG. 4

*FIG. 5*



*FIG. 6*



*FIG. 7*

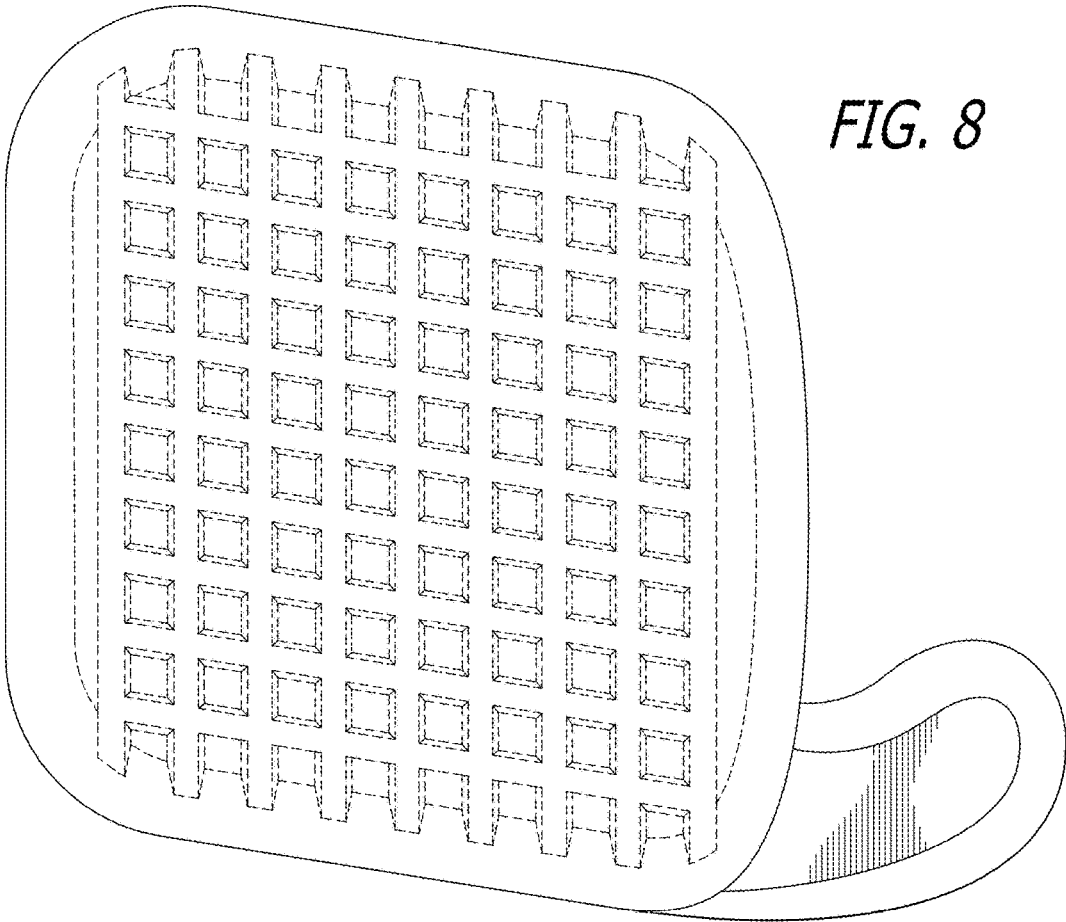
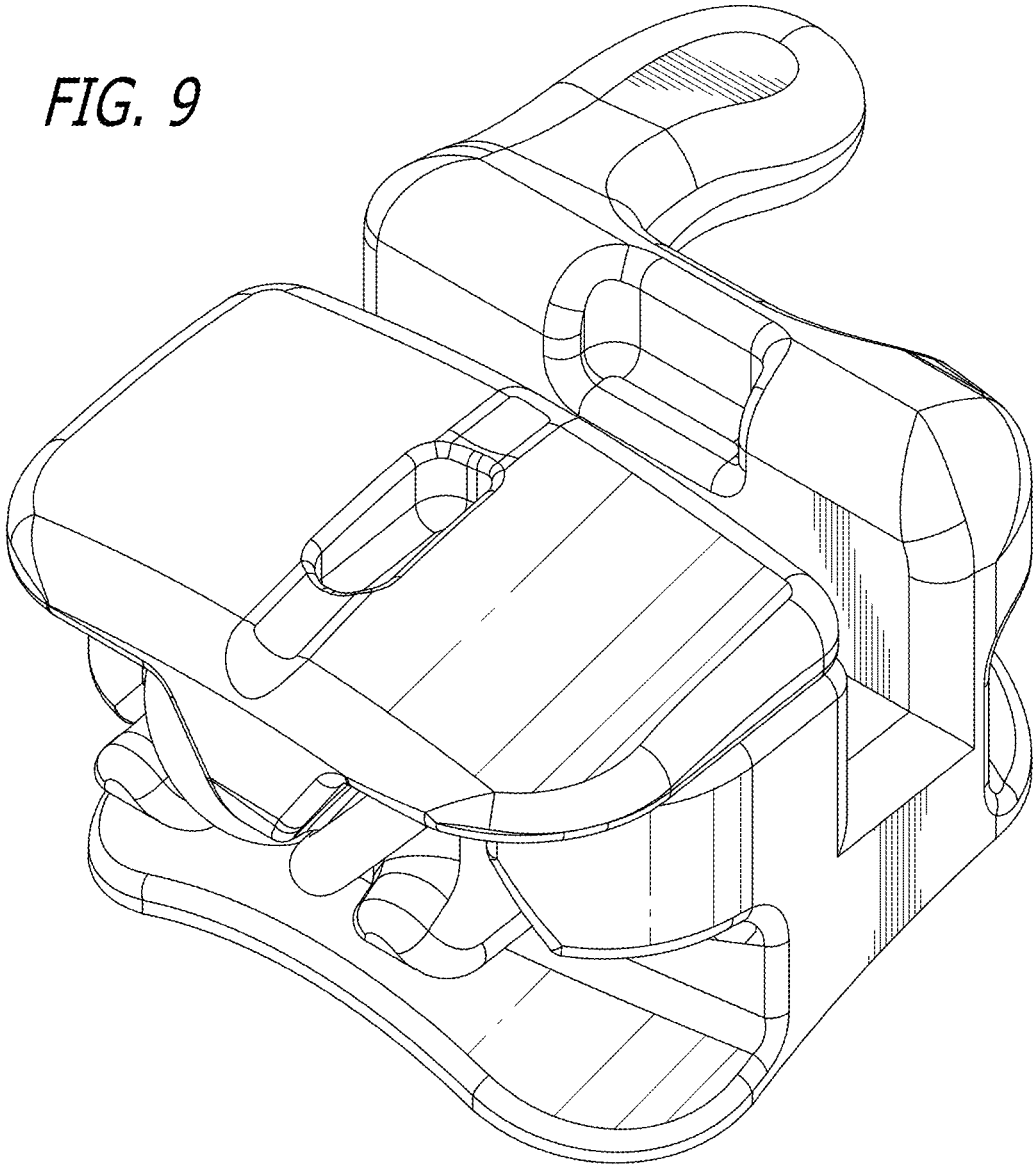
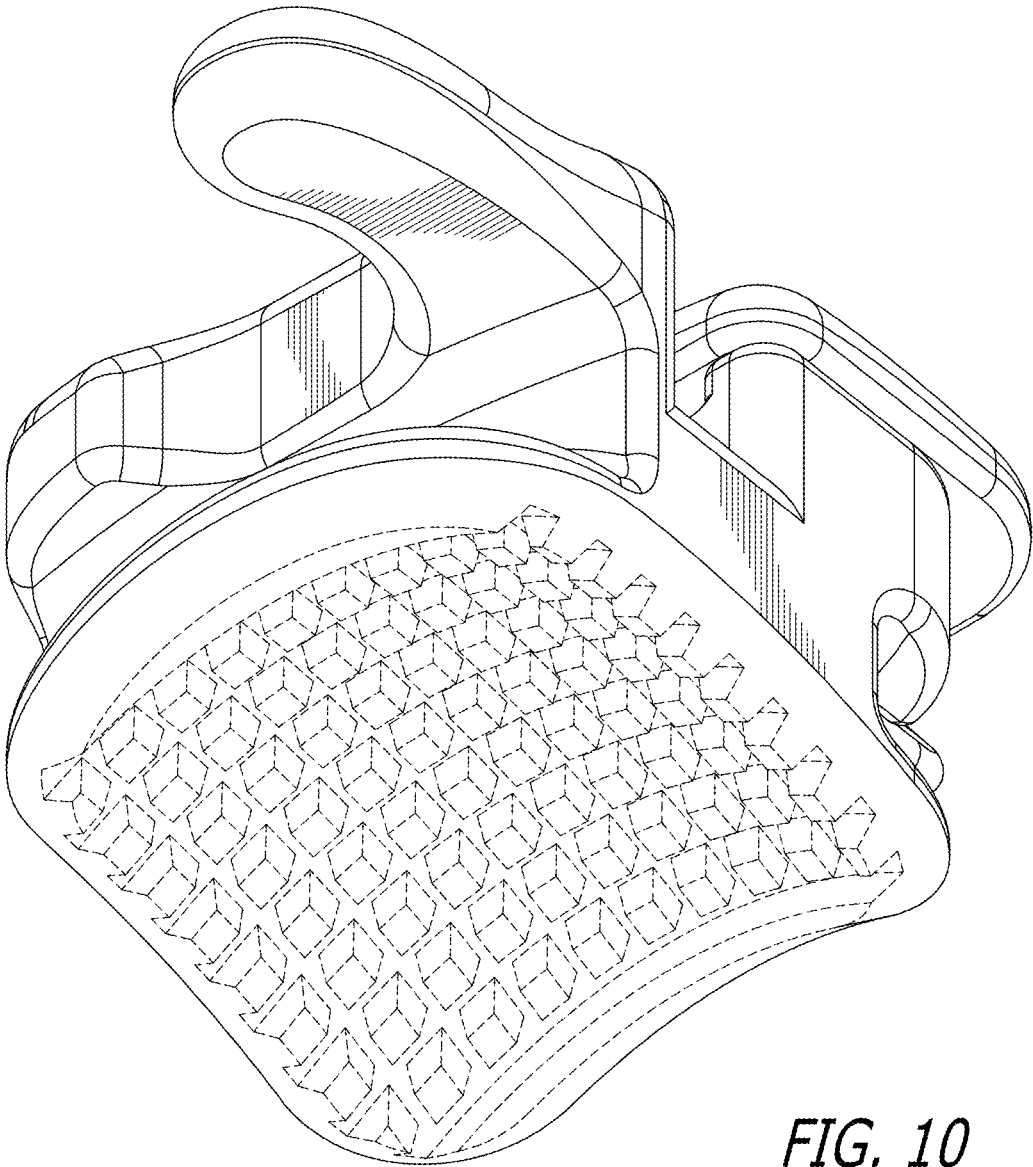


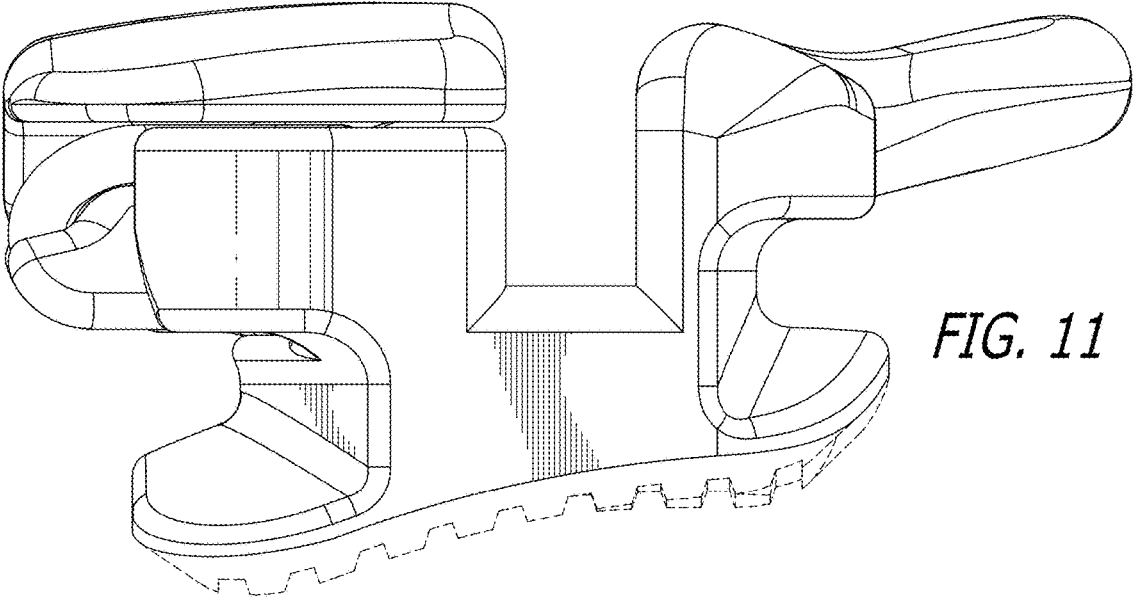
FIG. 8



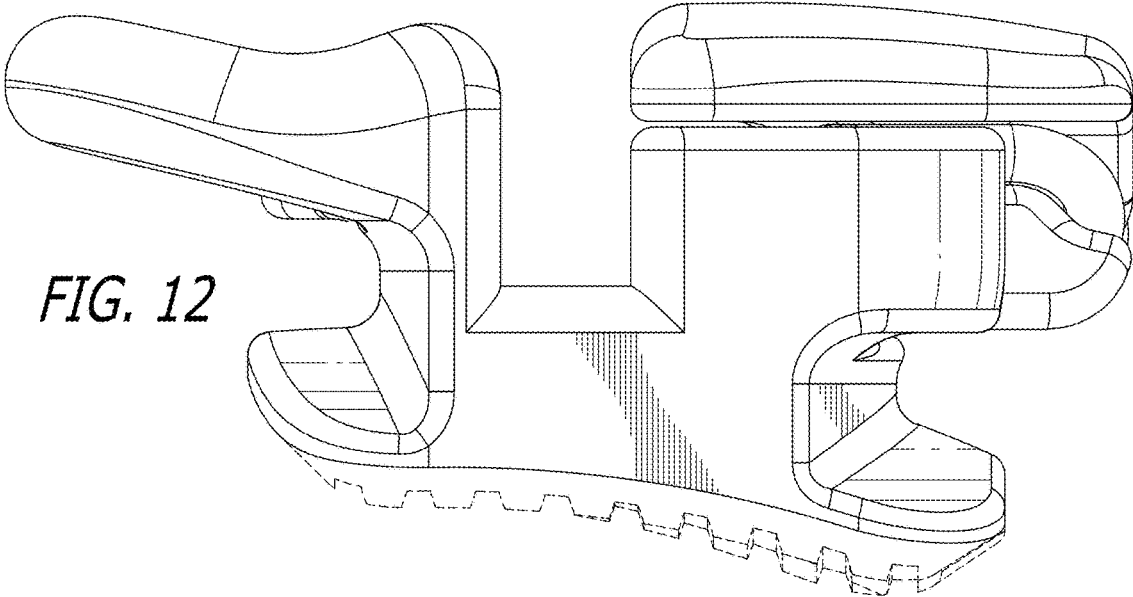
FIG. 9







*FIG. 11*



*FIG. 12*

FIG. 13

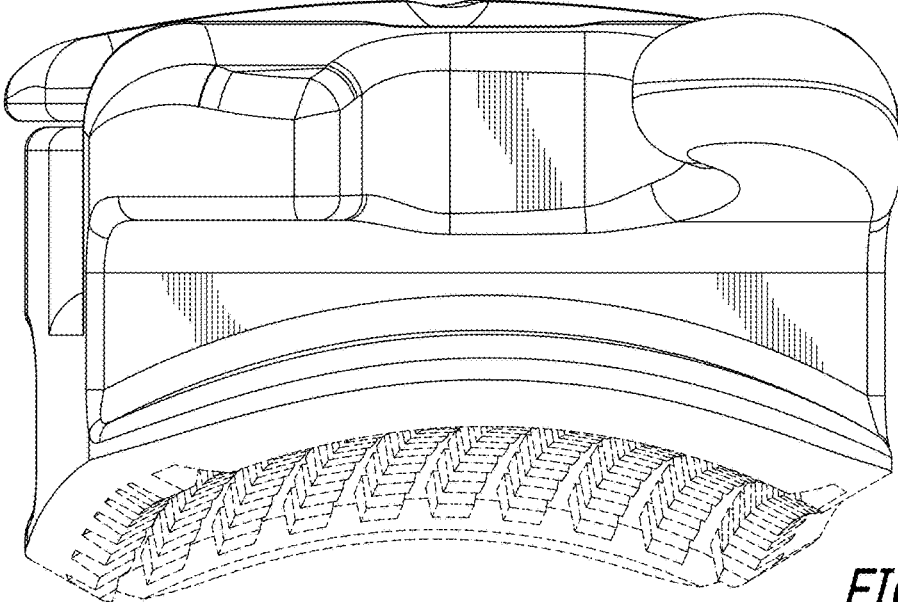
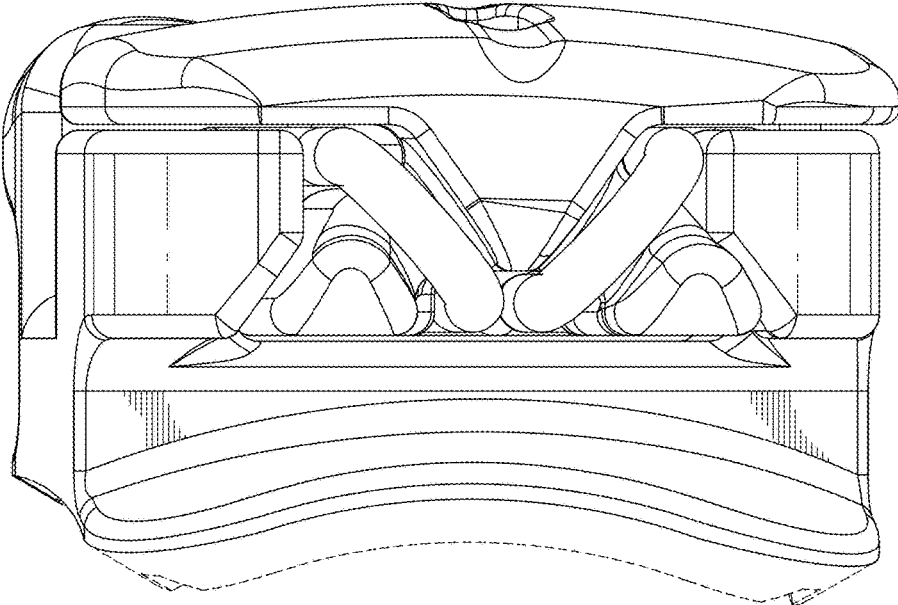


FIG. 14

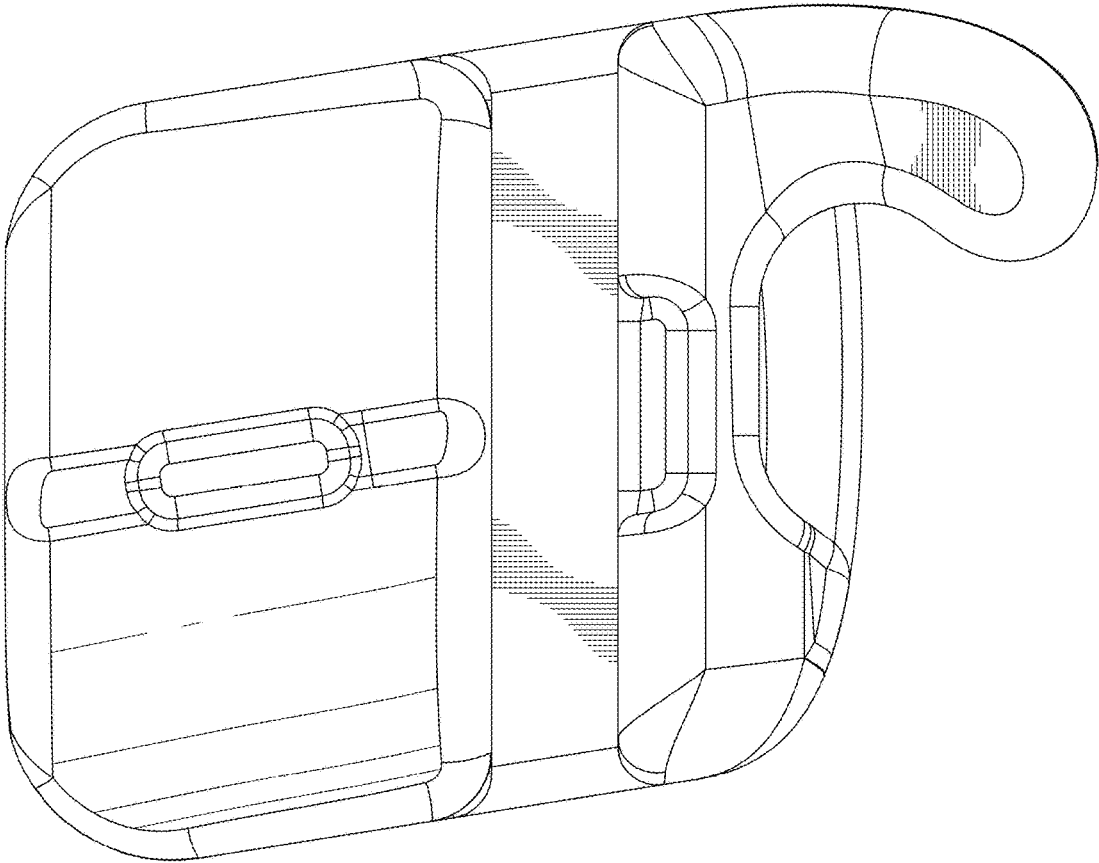


FIG. 15

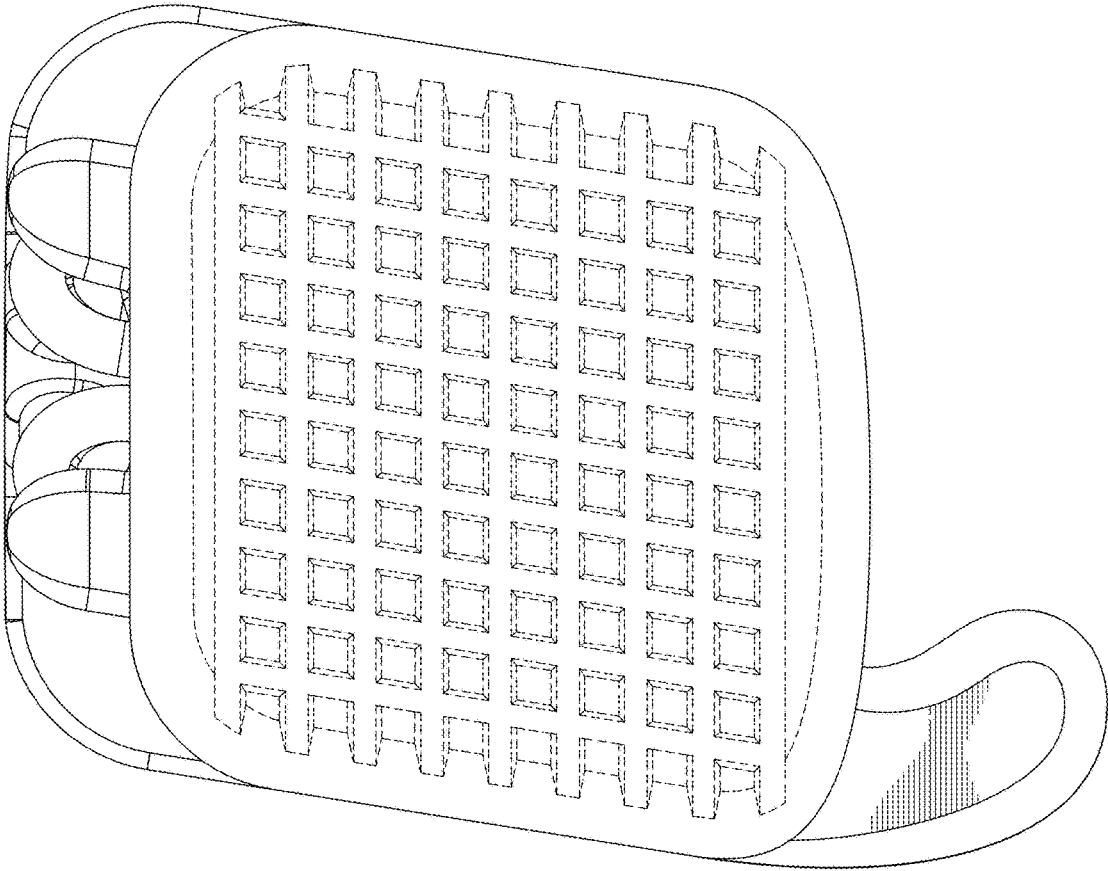


FIG. 16