



US00D823016S

(12) **United States Design Patent**  
**Li**

(10) **Patent No.:** **US D823,016 S**

(45) **Date of Patent:** **\*\* Jul. 17, 2018**

(54) **CHAIR**

(71) Applicant: **Homy Casa Limited**, GuangZhou (CN)

(72) Inventor: **YueHai Li**, Guangzhou (CN)

(73) Assignee: **HOMY CASA LIMITED**, Guangzhou (CN)

(\*\*) Term: **15 Years**

(21) Appl. No.: **29/611,476**

(22) Filed: **Jul. 21, 2017**

(51) **LOC (11) Cl.** ..... **06-01**

(52) **U.S. Cl.**  
USPC ..... **D6/366**

(58) **Field of Classification Search**  
USPC ..... D6/334–336, 364, 365, 366, 367, 374,  
D6/379, 380, 716, 716.1, 716.2, 716.3,  
D6/716.4  
CPC ..... A47C 7/004; A47C 7/006; A47C 7/022;  
A47C 7/18; A47C 7/24; A47C 7/282;  
A47C 7/285; A47C 7/40; A47C 7/44;  
A47C 7/46

See application file for complete search history.

(56) **References Cited**

**U.S. PATENT DOCUMENTS**

D422,802 S \* 4/2000 Deacon ..... D6/366  
D456,160 S \* 4/2002 Van De Riet ..... D6/366

D638,230 S \* 5/2011 Roy ..... D6/366  
D677,068 S \* 3/2013 Chen ..... D6/366  
D718,544 S \* 12/2014 Lu ..... D6/366  
9,192,237 B2 \* 11/2015 Bachar ..... A47C 7/46  
D755,533 S \* 5/2016 Ballendat ..... D6/366  
D766,641 S \* 9/2016 Gorgi ..... D6/716.4  
D799,234 S \* 10/2017 Mao ..... D6/380

\* cited by examiner

*Primary Examiner* — Mimoso De

(74) *Attorney, Agent, or Firm* — Hauptman Ham, LLP

(57) **CLAIM**

A new, original, ornamental design for a chair, as shown.

**DESCRIPTION**

FIG. 1 is a perspective view of a chair.  
FIG. 2 is a front view thereof.  
FIG. 3 is a left side view thereof.  
FIG. 4 is a right side view thereof.  
FIG. 5 is a top view thereof.  
FIG. 6 is a bottom view thereof; and,  
FIG. 7 is a back view thereof.  
The broken lines in the drawings form no part of the claimed design.

**1 Claim, 7 Drawing Sheets**

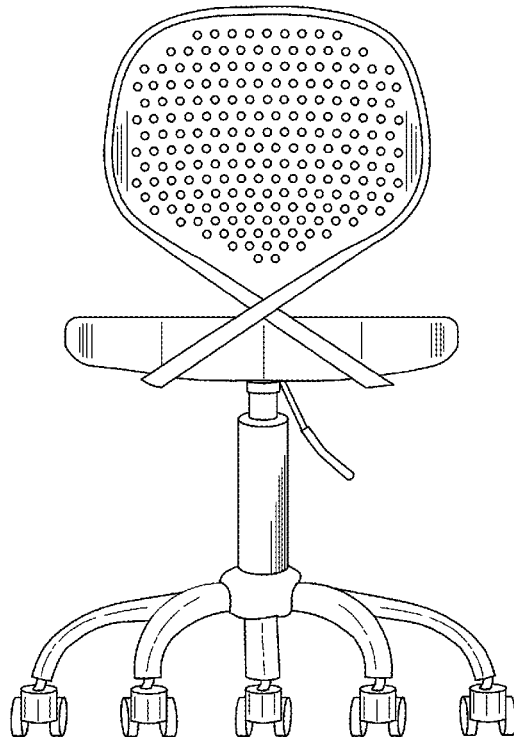
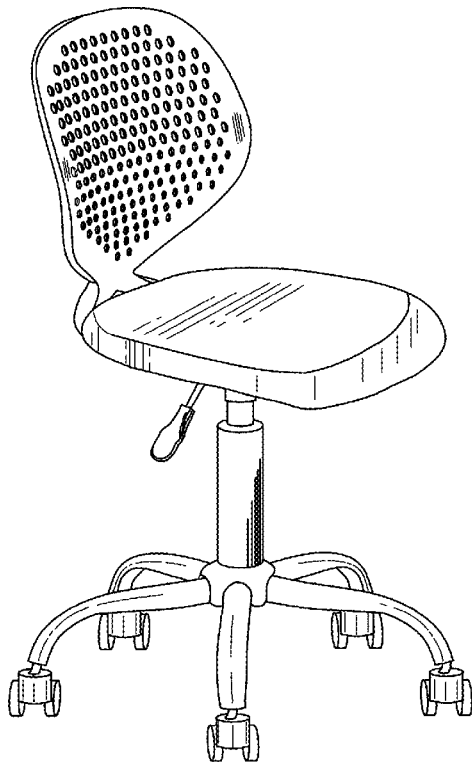


Fig. 1

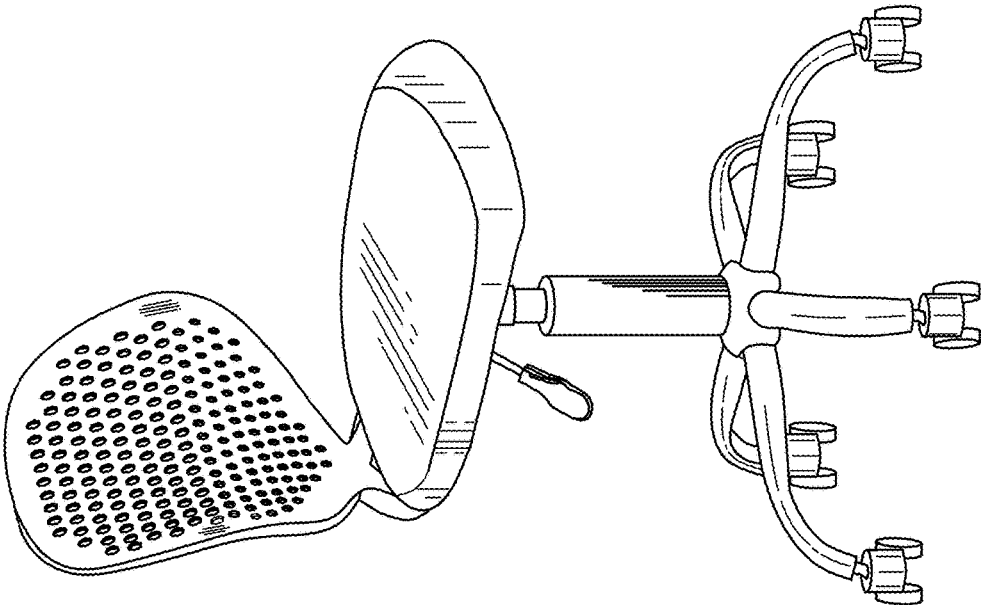


Fig. 2

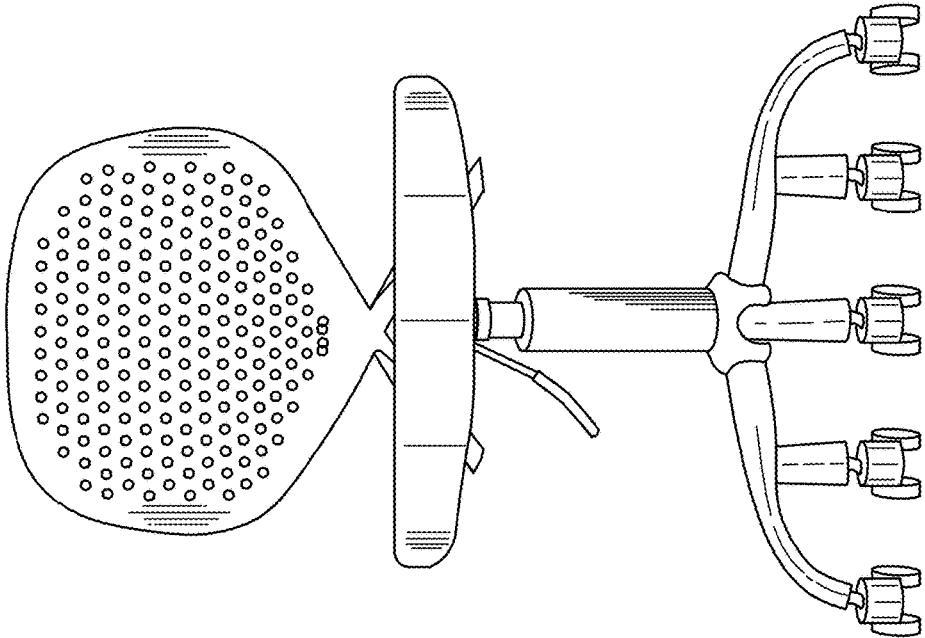


Fig. 3

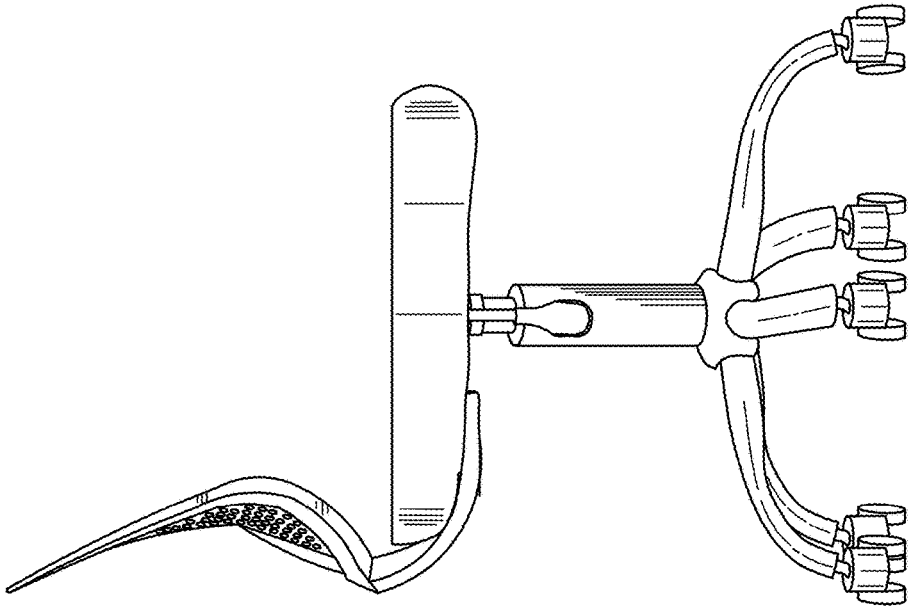


Fig. 4

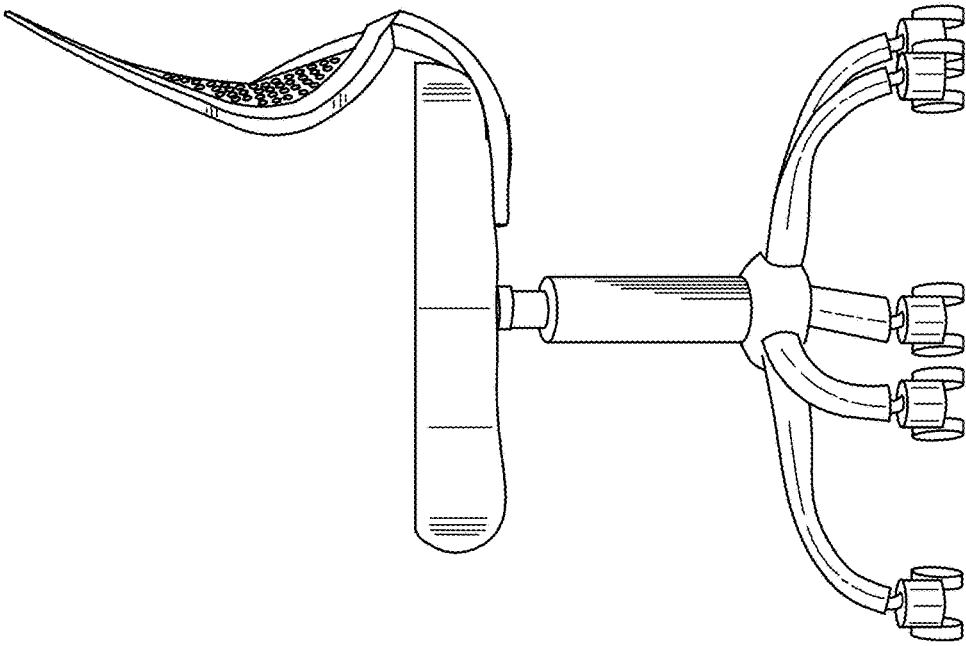


Fig. 5

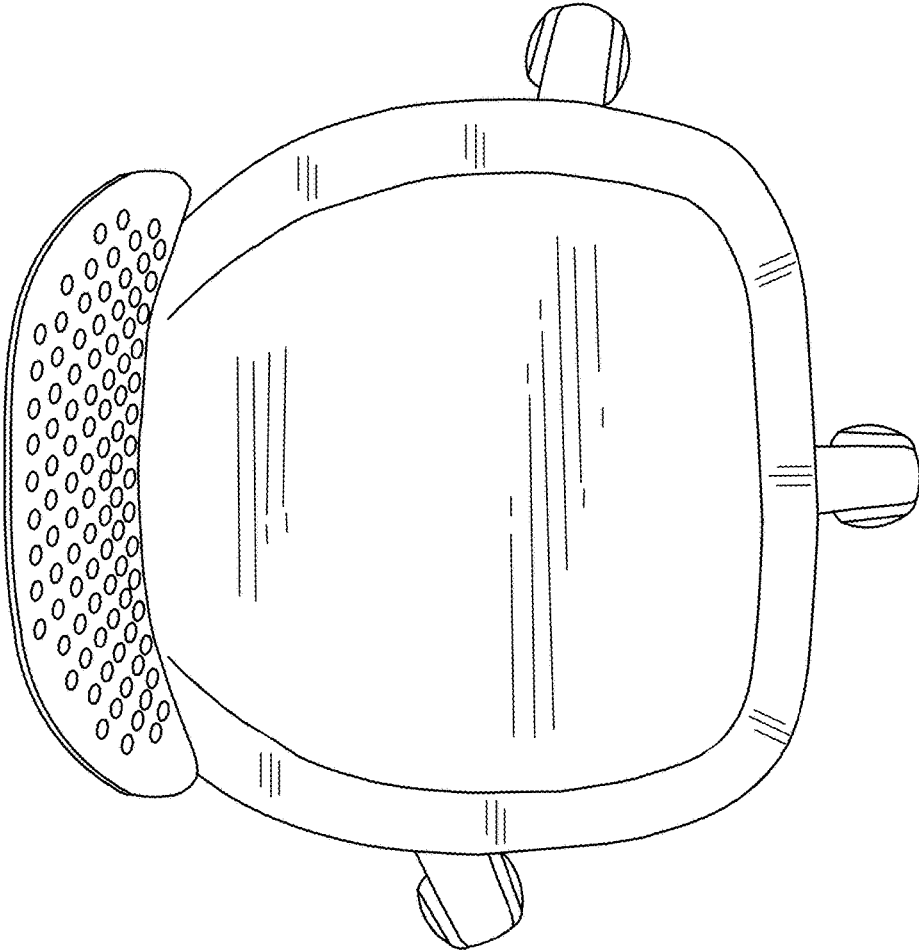


Fig. 6

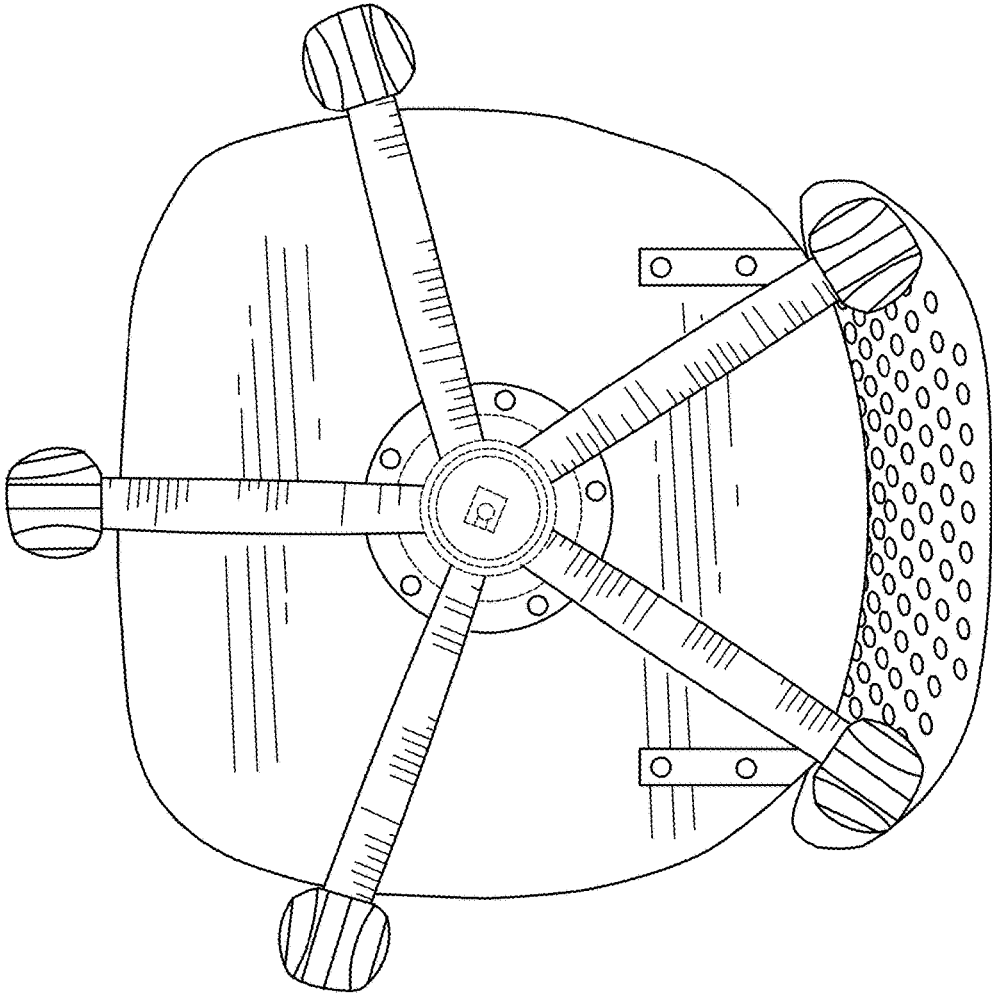


Fig. 7

