



US00D730922S

(12) **United States Design Patent**
Clement et al.

(10) **Patent No.:** **US D730,922 S**

(45) **Date of Patent:** **** Jun. 2, 2015**

(54) **PORTION OF A DISPLAY SCREEN WITH GRAPHICAL USER INTERFACE**

(71) Applicant: **Google Inc.**, Mountain View, CA (US)

(72) Inventors: **Manuel Christian Clement**, Felton, CA (US); **Brian Cullinane**, San Jose, CA (US); **Robertus Christianus Elisabeth Mariet**, Sunnyvale, CA (US)

(73) Assignee: **Google Inc.**, Mountain View, CA (US)

(**) Term: **14 Years**

(21) Appl. No.: **29/438,512**

(22) Filed: **Nov. 30, 2012**

(51) **LOC (10) Cl.** **14-04**

(52) **U.S. Cl.**
USPC **D14/486**

(58) **Field of Classification Search**
USPC D14/485-495; 715/700-867
See application file for complete search history.

(56) **References Cited**

U.S. PATENT DOCUMENTS

7,236,089	B2 *	6/2007	Ono et al.	340/461
D683,363	S *	5/2013	Jung et al.	D14/492
D683,366	S *	5/2013	Gardner et al.	D14/495
D691,635	S *	10/2013	Ebeling et al.	D14/494
D693,368	S *	11/2013	Ebeling et al.	D14/494
D708,217	S *	7/2014	Clement et al.	D14/489
D709,093	S *	7/2014	Clement et al.	D14/489
2014/0142799	A1 *	5/2014	Ferguson et al.	701/23

* cited by examiner

Primary Examiner — Deanna L Pratt

(74) *Attorney, Agent, or Firm* — Lerner, David, Littenberg, Krumholz & Mentlik, LLP

(57) **CLAIM**

The ornamental design for a portion of a display screen with graphical user interface, as shown and described.

DESCRIPTION

FIG. 1 is a front view of an image of a portion of a display screen with graphical user interface according to a first embodiment;

FIG. 2 is a front view of a second image thereof;

FIG. 3 is a front view of a third image thereof;

FIG. 4 is a front view of a fourth image thereof;

FIG. 5 is a front view of an image of a portion of a display screen with graphical user interface according to a second embodiment;

FIG. 6 is a front view of a second image thereof

FIG. 7 is a front view of a third image thereof; and,

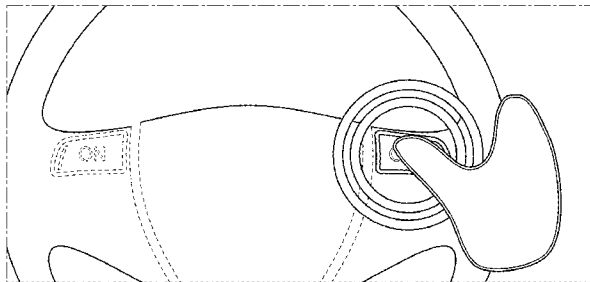
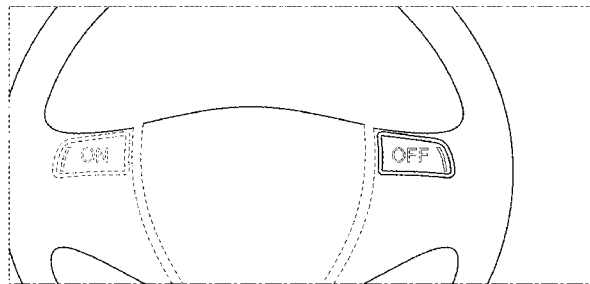
FIG. 8 is a front view of a fourth image thereof.

The appearance of the image transitions sequentially between the images shown in FIGS. 1-4 and the images shown in FIGS. 5-8. The process or period in which an image transitions to another forms no part of the claimed design.

The broken line showings of portions of a display screen, text, and other features in the figures are environmental only and form no part of the claimed design.

Embodiments of the claimed designs of FIGS. 1-4 and FIGS. 5-8 can be a graphical user interface for an autonomous vehicle display screen or a portion thereof.

1 Claim, 8 Drawing Sheets



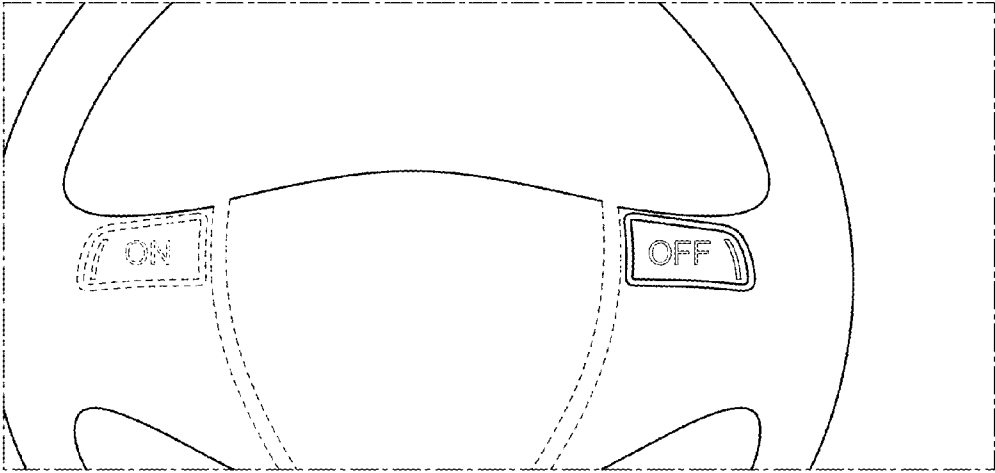


FIG. 1

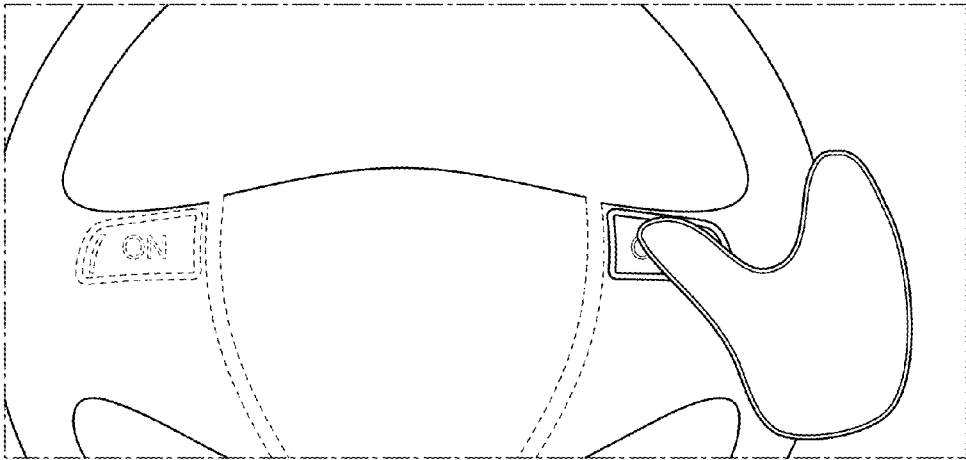


FIG. 2

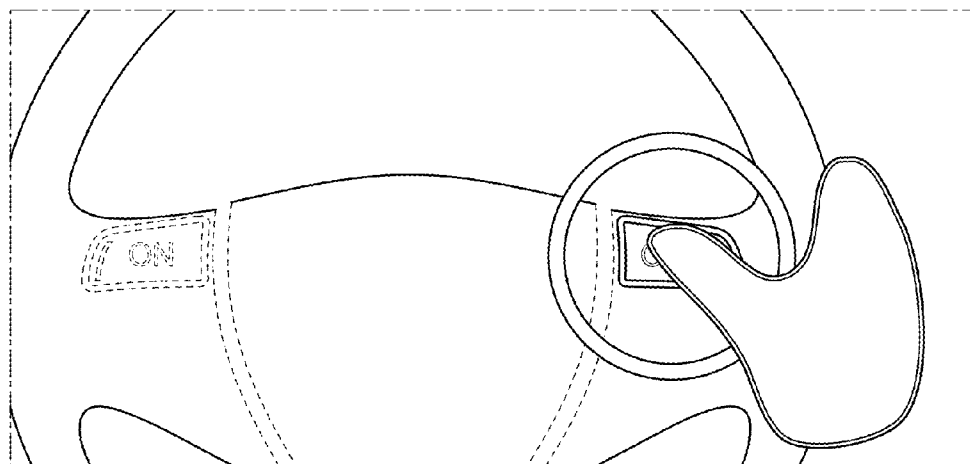


FIG. 3

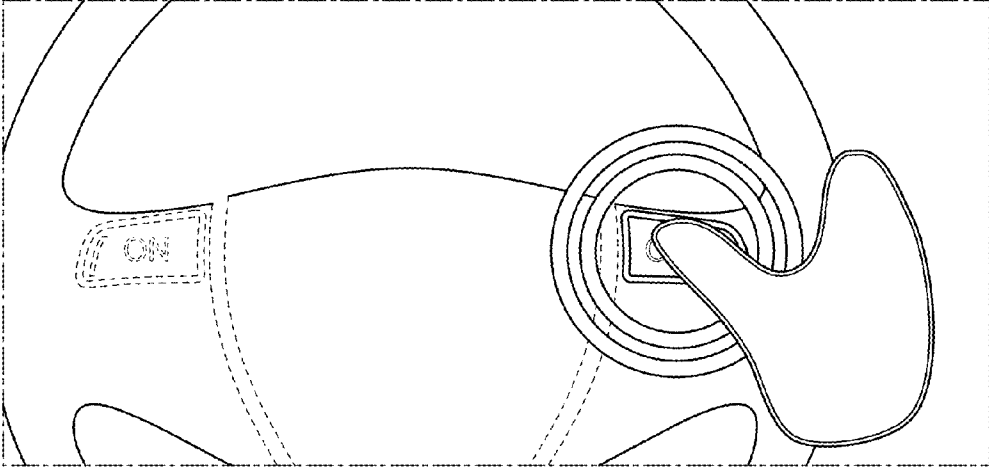


FIG. 4

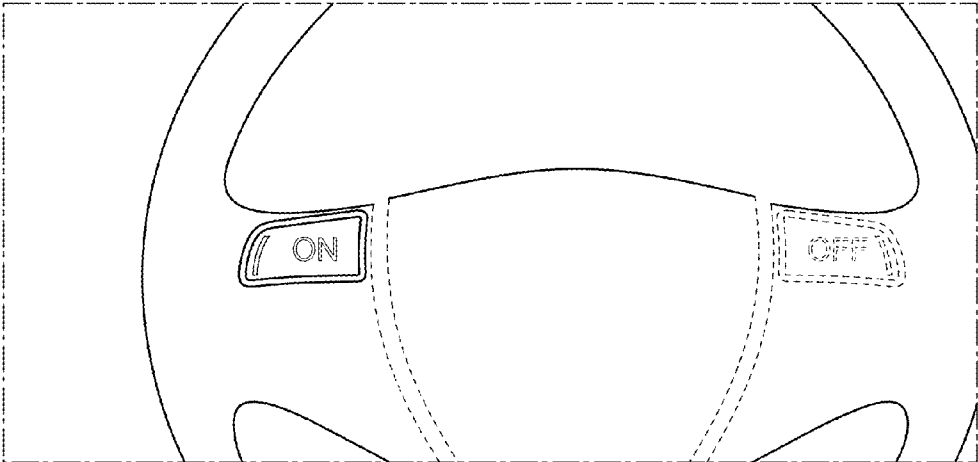


FIG. 5

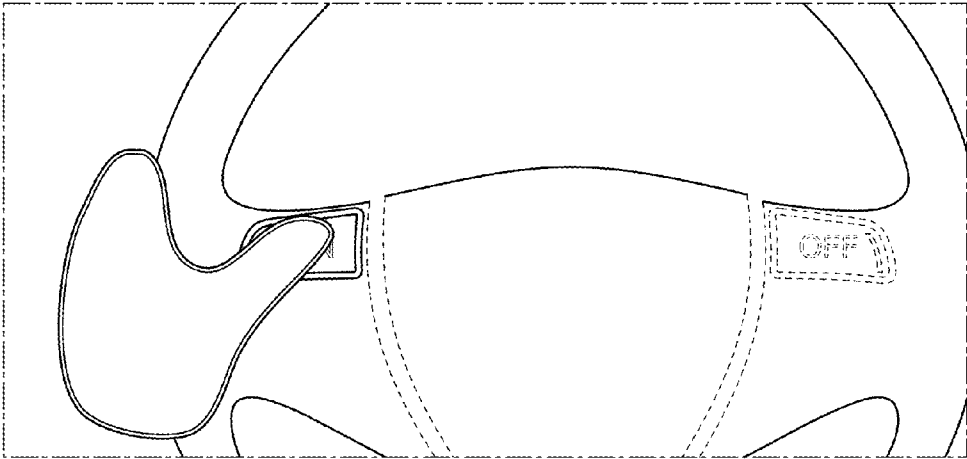


FIG. 6

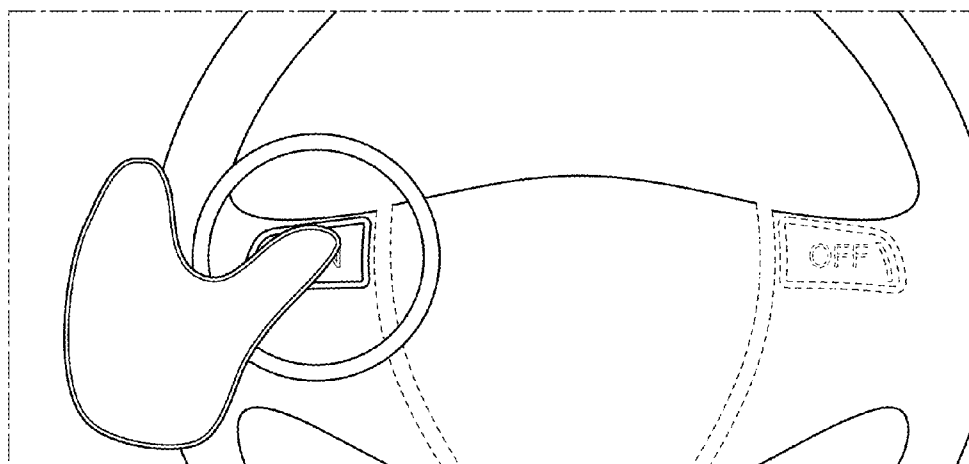


FIG. 7

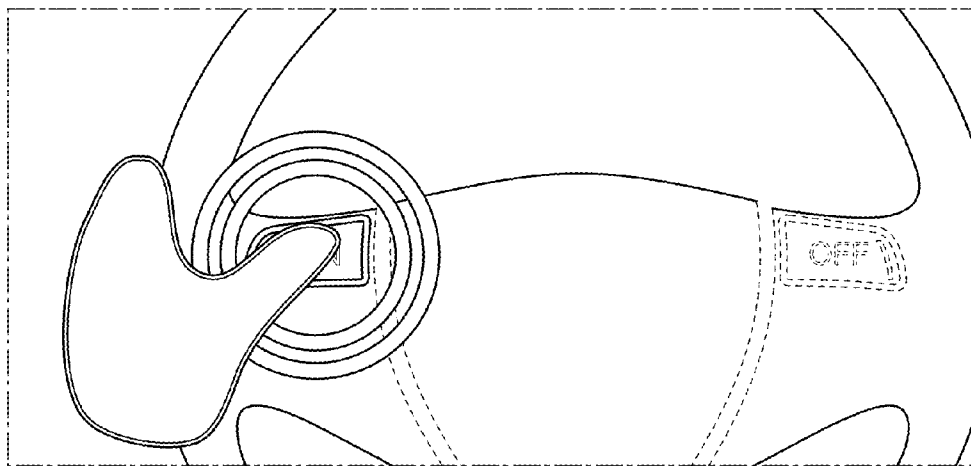


FIG. 8