



US00D860669S

(12) **United States Design Patent**
Izawa

(10) **Patent No.:** **US D860,669 S**

(45) **Date of Patent:** **** Sep. 24, 2019**

(54) **CHAIR**

(71) Applicant: **Okamura Corporation**, Yokohama-shi,
Kanagawa (JP)

(72) Inventor: **Syouchi Izawa**, Yokohama (JP)

(73) Assignee: **Okamura Corporation**, Yokohama-shi,
Kanagawa (JP)

(**) Term: **15 Years**

(21) Appl. No.: **29/642,749**

(22) Filed: **Apr. 2, 2018**

(30) **Foreign Application Priority Data**

Oct. 2, 2017 (JP) 2017-021751

(51) **LOC (12) Cl.** **06-01**

(52) **U.S. Cl.**
USPC **D6/366**

(58) **Field of Classification Search**

USPC D6/334-336, 364, 365, 366, 374, 375,
D6/716, 716.1, 716.2, 716.4

CPC .. A47C 3/12; A47C 4/028; A47C 5/12; A47C
7/004; A47C 7/02; A47C 7/18; A47C
7/24; A47C 7/40; A47C 7/54

See application file for complete search history.

(56) **References Cited**

U.S. PATENT DOCUMENTS

D648,158 S * 11/2011 Kubryk D6/366

D654,732 S * 2/2012 Kubryk D6/366

D730,670 S * 6/2015 Kubryk D6/716
D766,638 S * 9/2016 Kubryk D6/716
D767,318 S * 9/2016 Kubryk D6/716
D767,319 S * 9/2016 Kubryk D6/716
D794,368 S * 8/2017 Swy D6/366
D794,369 S * 8/2017 Swy D6/366
D817,056 S * 5/2018 Neil D6/716
D828,707 S * 9/2018 Kubryk D6/716

* cited by examiner

Primary Examiner — Mimosa De

(74) *Attorney, Agent, or Firm* — Banner & Witcoff, Ltd.

(57) **CLAIM**

The ornamental design for a chair, as shown and described.

DESCRIPTION

FIG. 1 is a front perspective view of a chair showing my new design;

FIG. 2 is a rear perspective view thereof;

FIG. 3 is a front view thereof;

FIG. 4 is a rear view thereof;

FIG. 5 is a left side view thereof;

FIG. 6 is a right side view thereof;

FIG. 7 is a top view thereof; and,

FIG. 8 is a bottom view thereof.

The broken lines shown in the drawings illustrate portions of the chair that form no part of the claimed design.

1 Claim, 8 Drawing Sheets

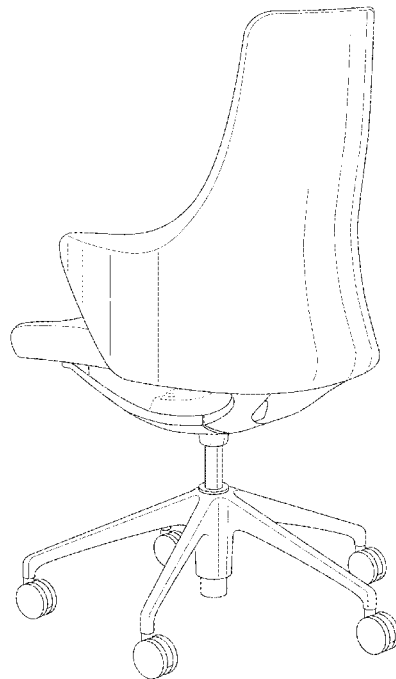
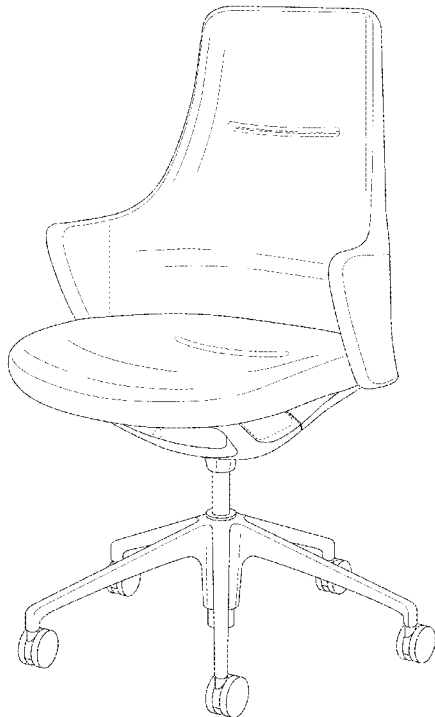


Fig. 1



Fig. 2

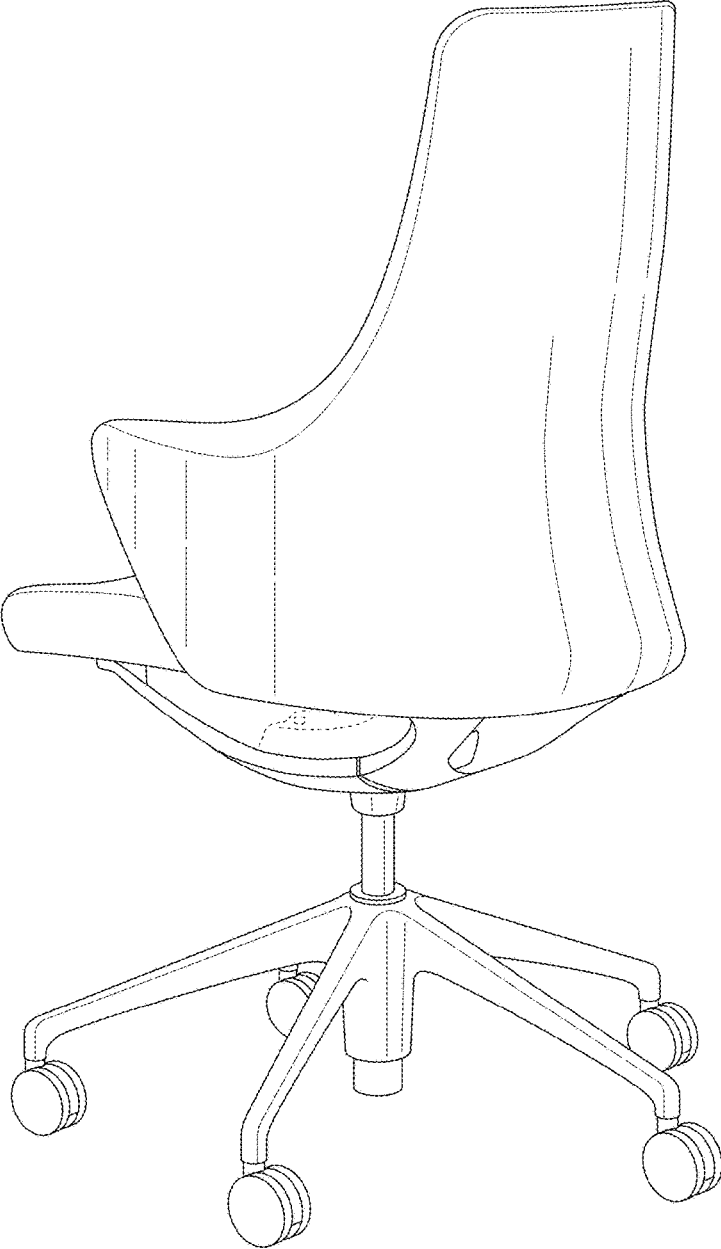


Fig. 3

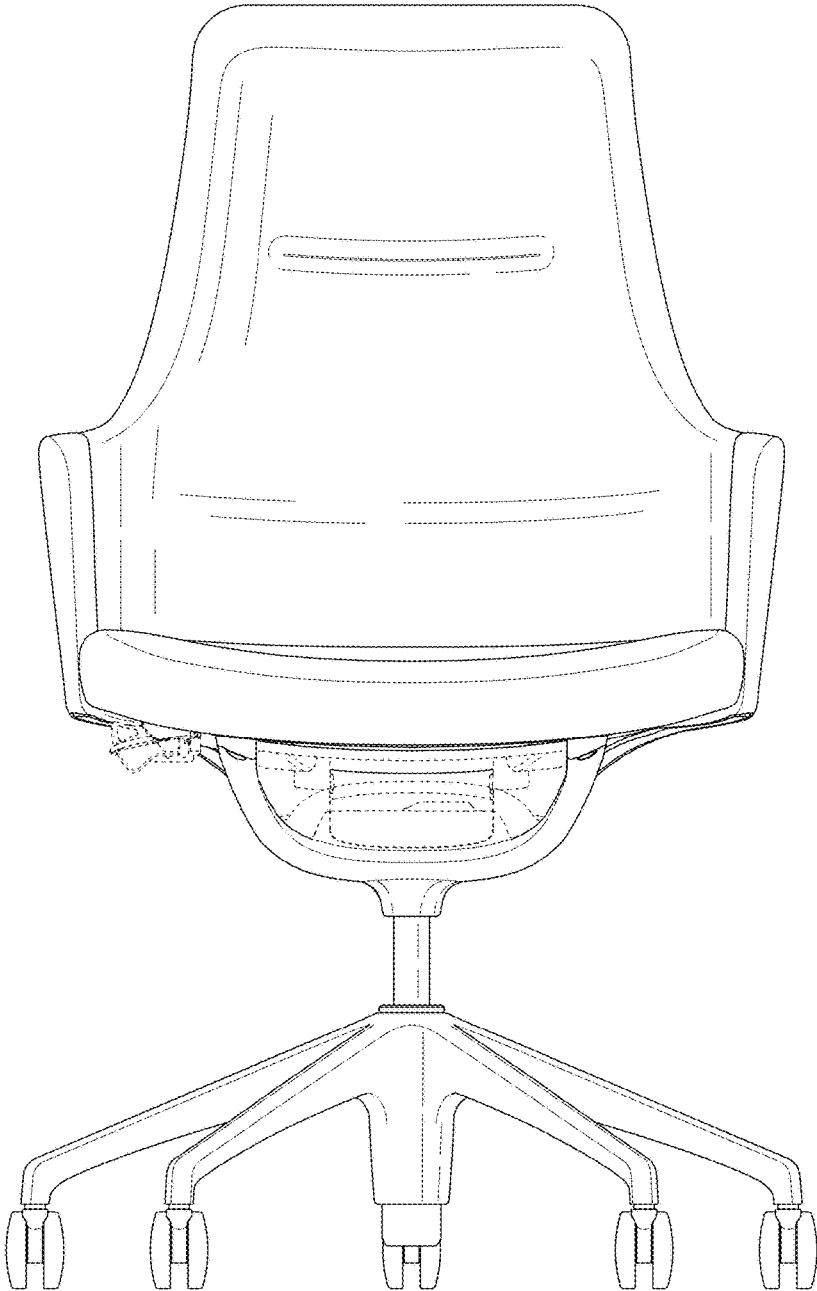


Fig. 4

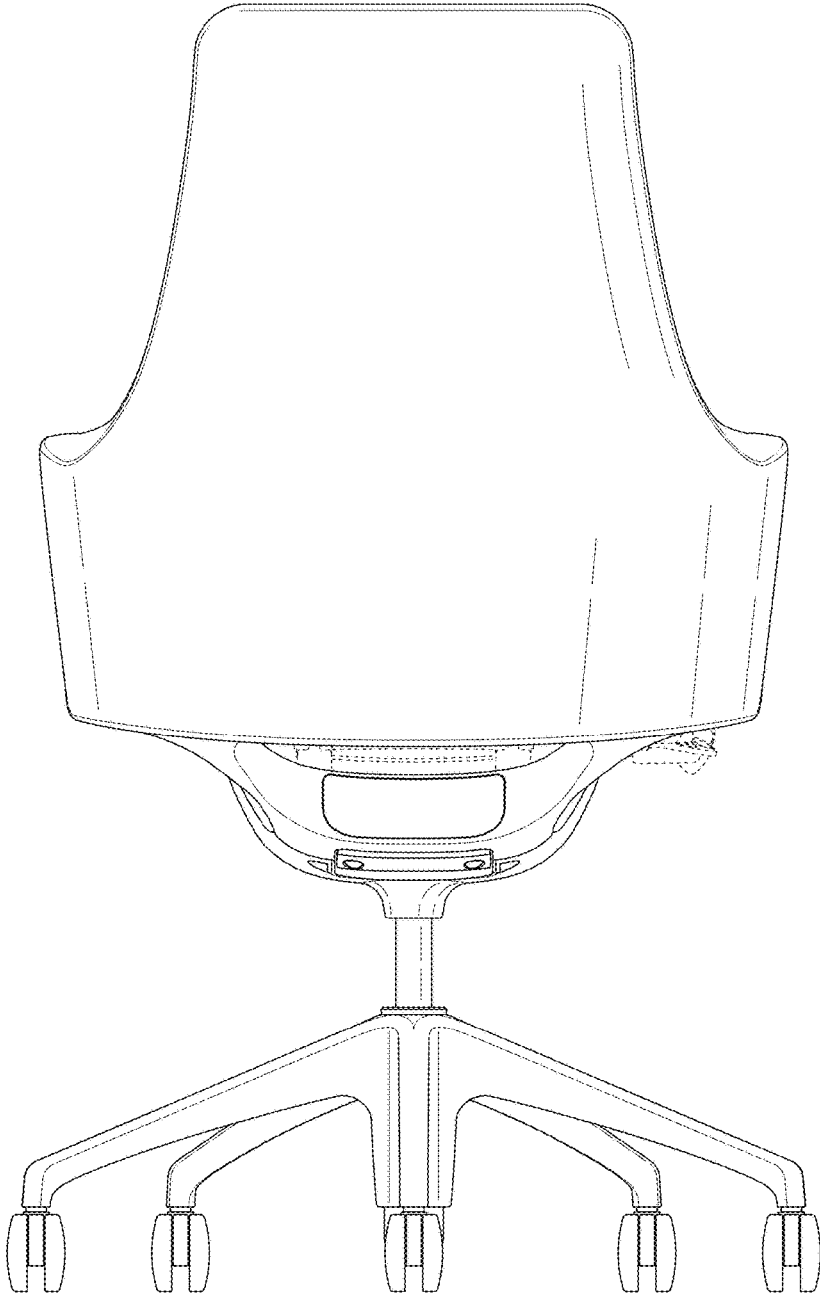


Fig. 5



Fig. 6



Fig. 7

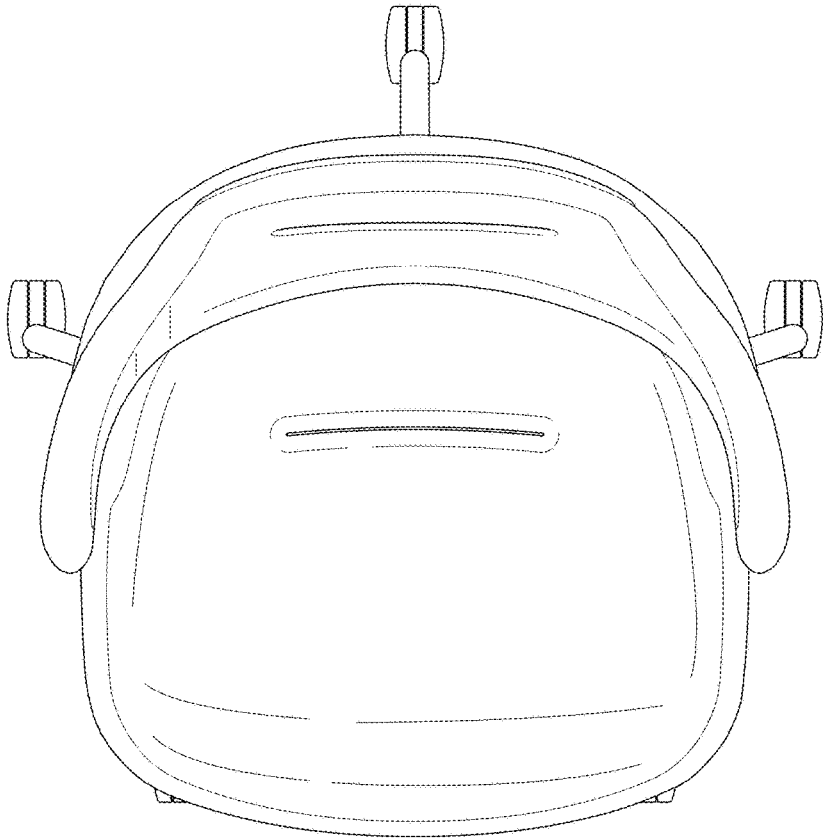


Fig. 8

