



US00D622645S

(12) **United States Design Patent**  
**Ichihara et al.**

(10) **Patent No.:** **US D622,645 S**

(45) **Date of Patent:** **\*\* Aug. 31, 2010**

(54) **HOOD FOR UTILITY VEHICLES**

D578,934 S 10/2008 Tanaka et al.

D612,306 S \* 3/2010 Nakanishi ..... D12/173

(75) Inventors: **Fumio Ichihara**, Hyogo (JP); **Shunji Tanaka**, Kobe (JP)

\* cited by examiner

(73) Assignee: **Kawasaki Jukogyo Kabushiki Kaisha**, Hyogo (JP)

*Primary Examiner*—Melody N Brown

(\*\*) Term: **14 Years**

(57) **CLAIM**

(21) Appl. No.: **29/343,938**

The ornamental design for a hood for utility vehicles, as shown and described.

(22) Filed: **Sep. 22, 2009**

**DESCRIPTION**

(51) **LOC (9) Cl.** ..... **12-16**

FIG. 1 is a front elevational view of a hood for utility vehicles showing our new design;

(52) **U.S. Cl.** ..... **D12/173**

FIG. 2 is a rear elevational view thereof;

(58) **Field of Classification Search** ..... D12/173,  
D12/196, 86, 90-92; 180/69.21, 69.2, 69.22;  
296/24.4

FIG. 3 is a left side elevational view thereof;

FIG. 4 is a right side elevational view thereof;

See application file for complete search history.

FIG. 5 is a top plan view thereof;

(56) **References Cited**

FIG. 6 is a front perspective view thereof; and,

**U.S. PATENT DOCUMENTS**

FIG. 7 is a rear perspective view thereof.

D548,148 S \* 8/2007 Woodard et al. .... D12/173

The broken lines showing of part of drawings form no part of the claimed design.

D548,149 S \* 8/2007 Woodard et al. .... D12/173

D548,150 S \* 8/2007 Woodard et al. .... D12/173

D570,265 S \* 6/2008 Nakanishi et al. .... D12/173

**1 Claim, 7 Drawing Sheets**

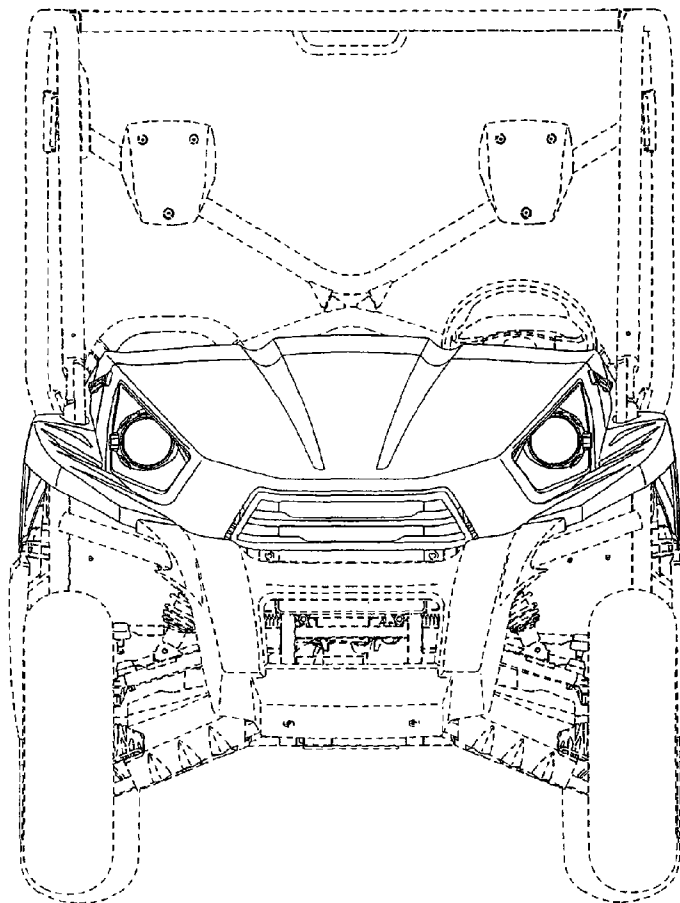


Fig. 1

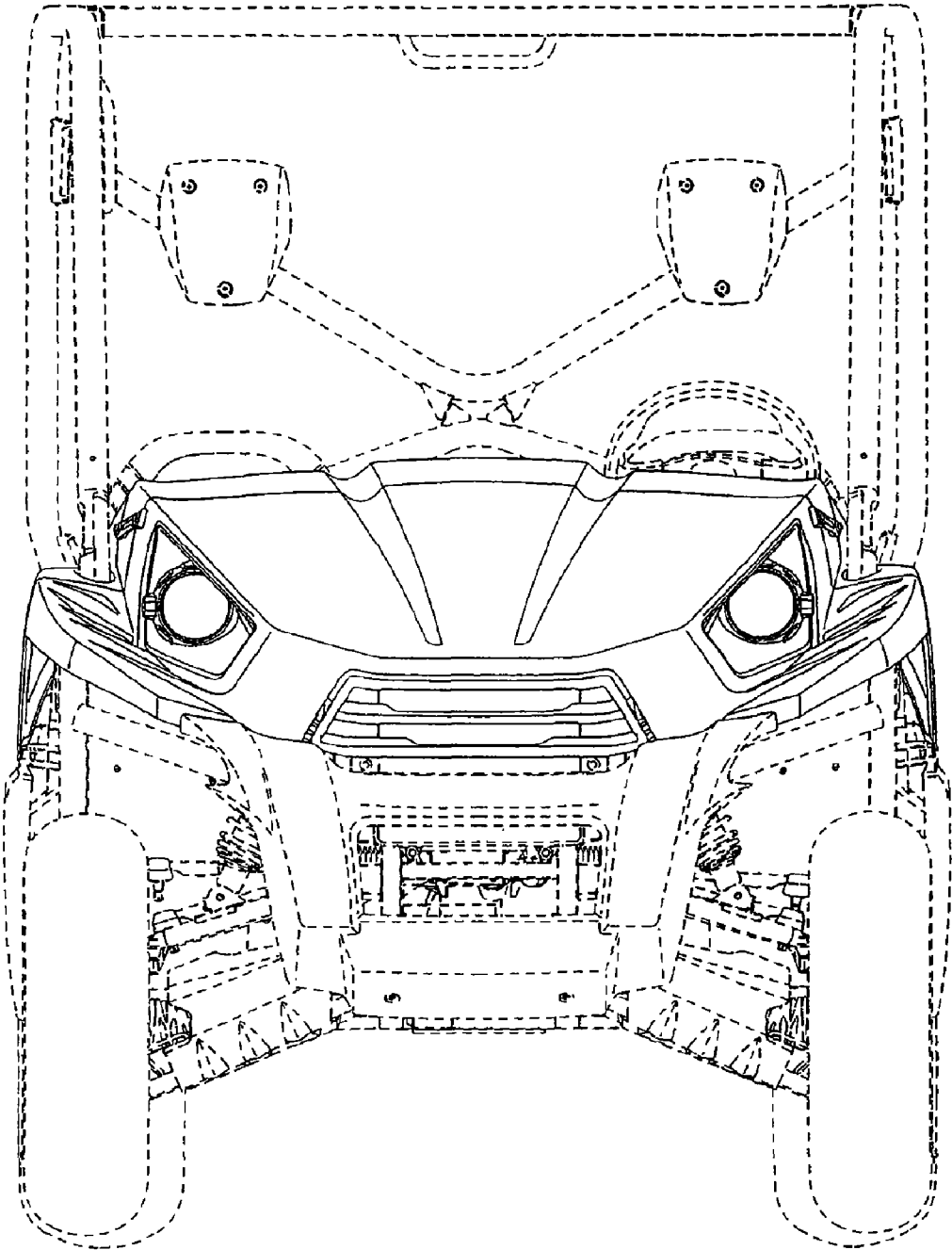
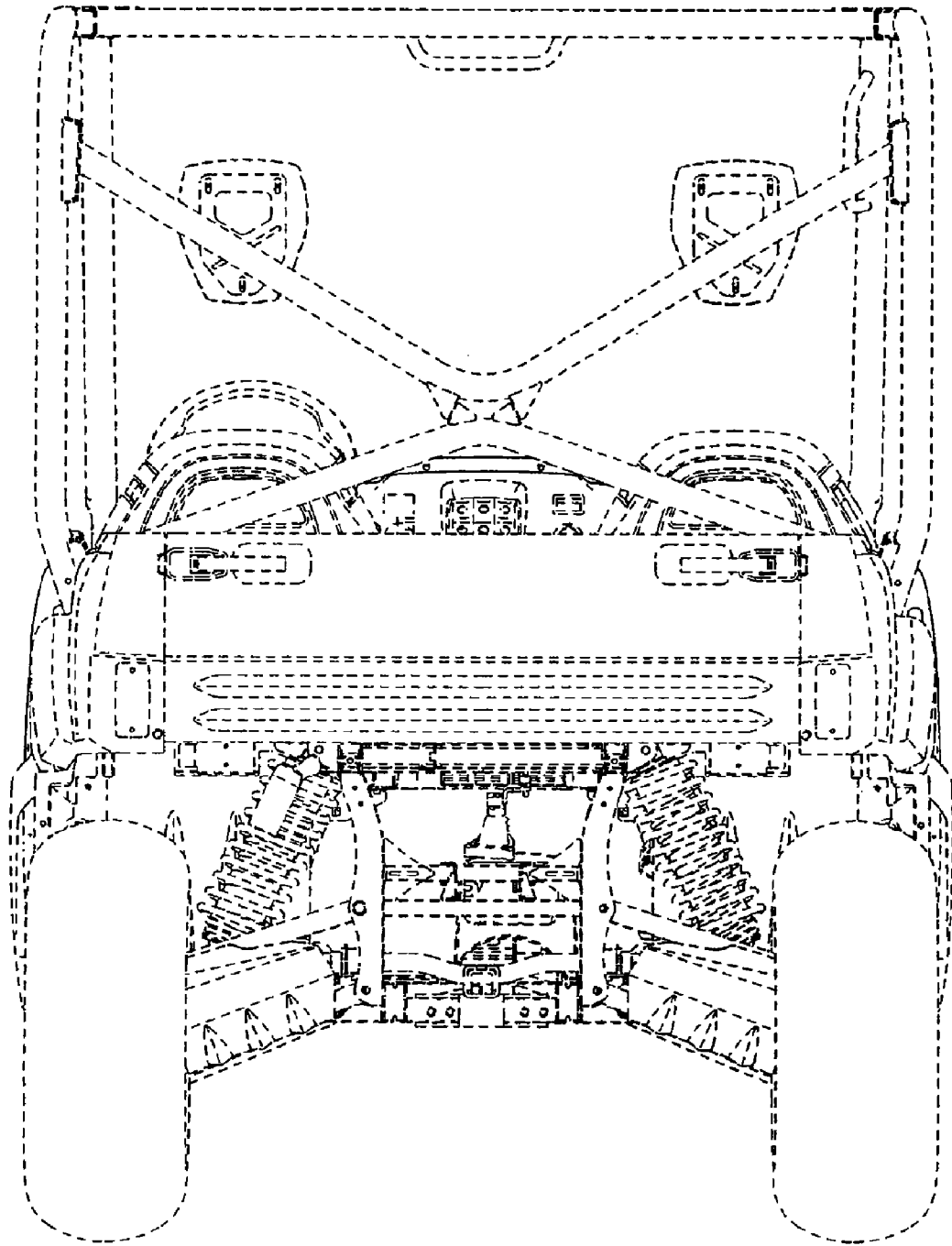


Fig. 2



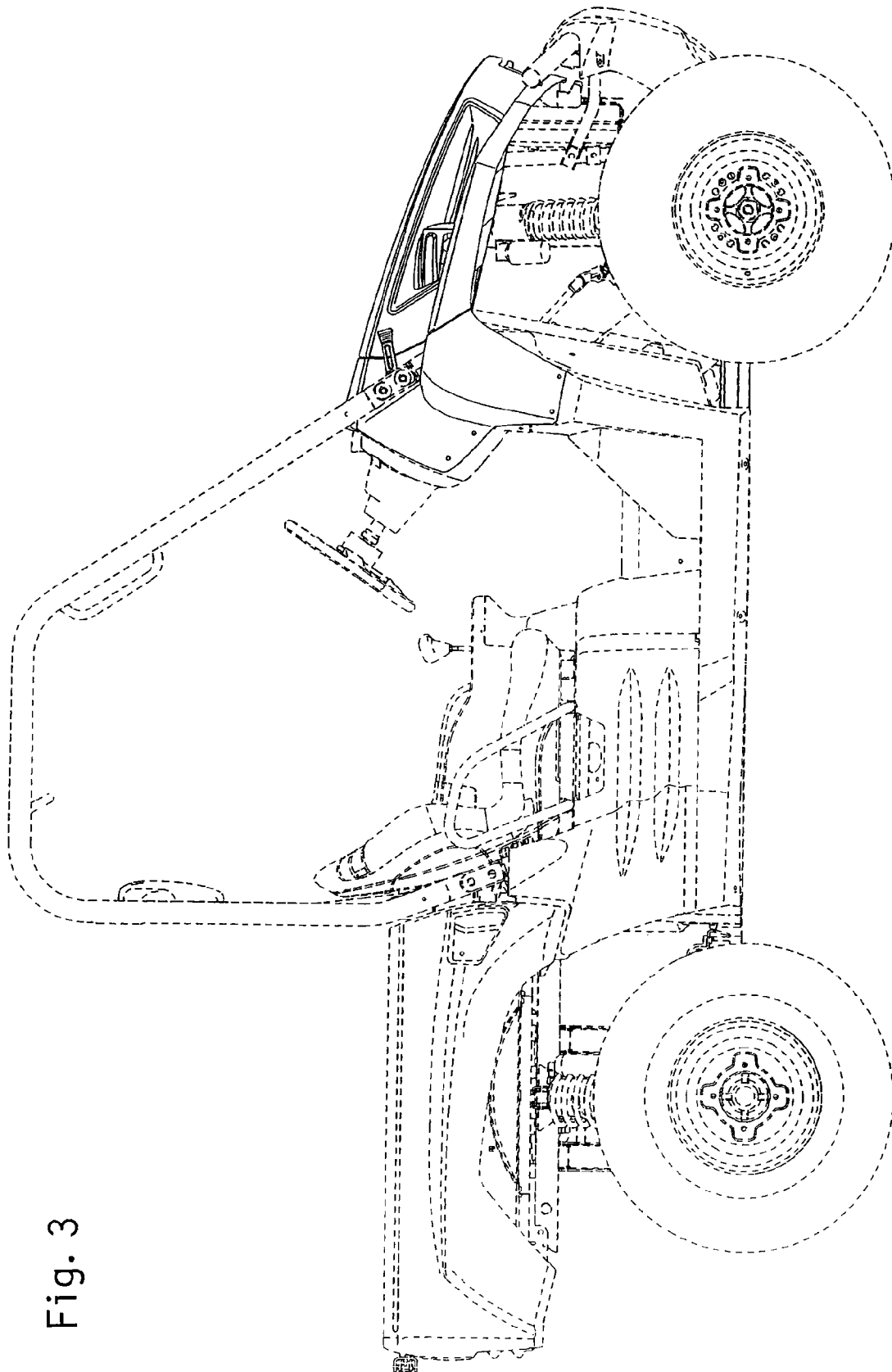


Fig. 3

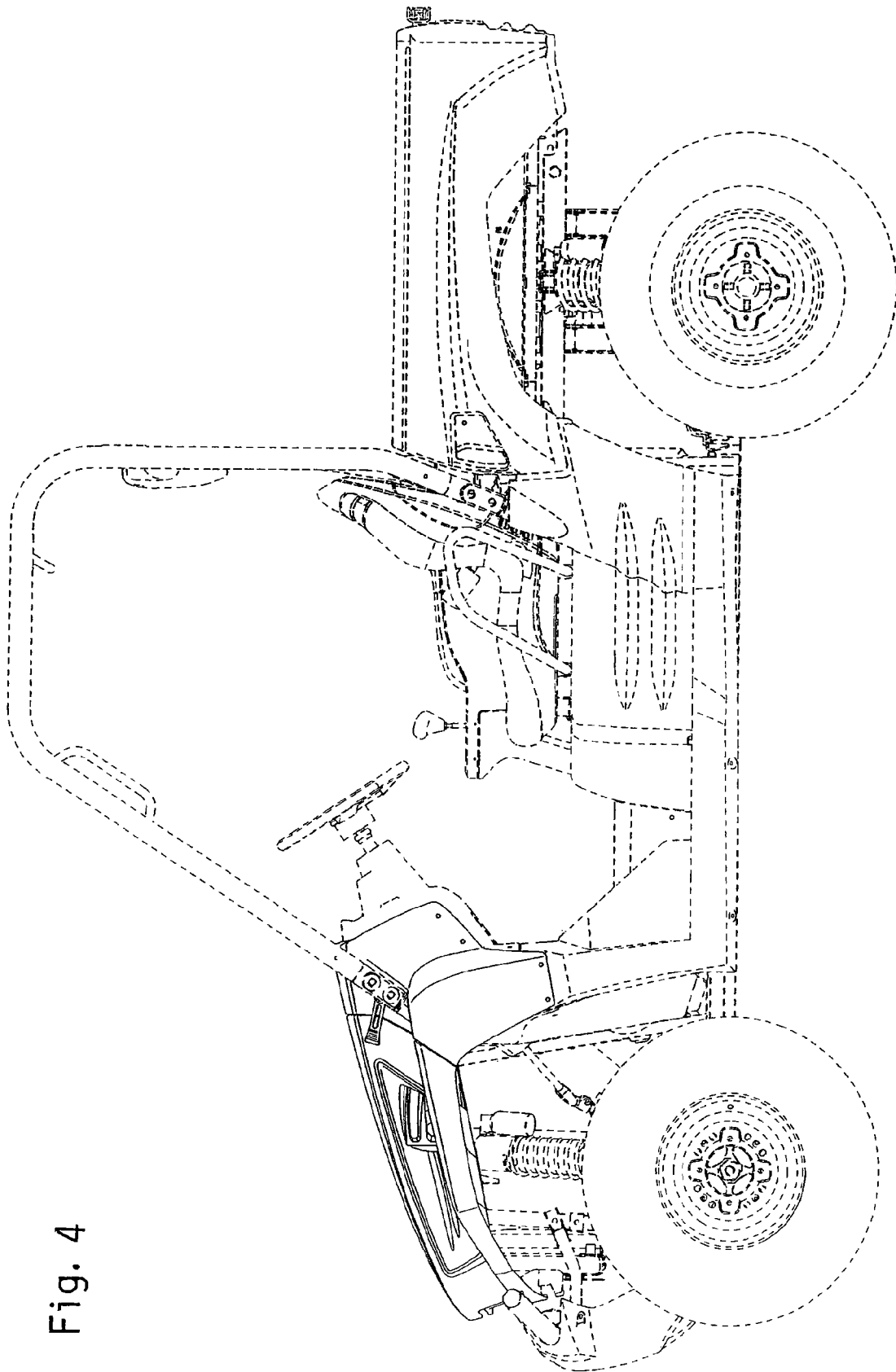
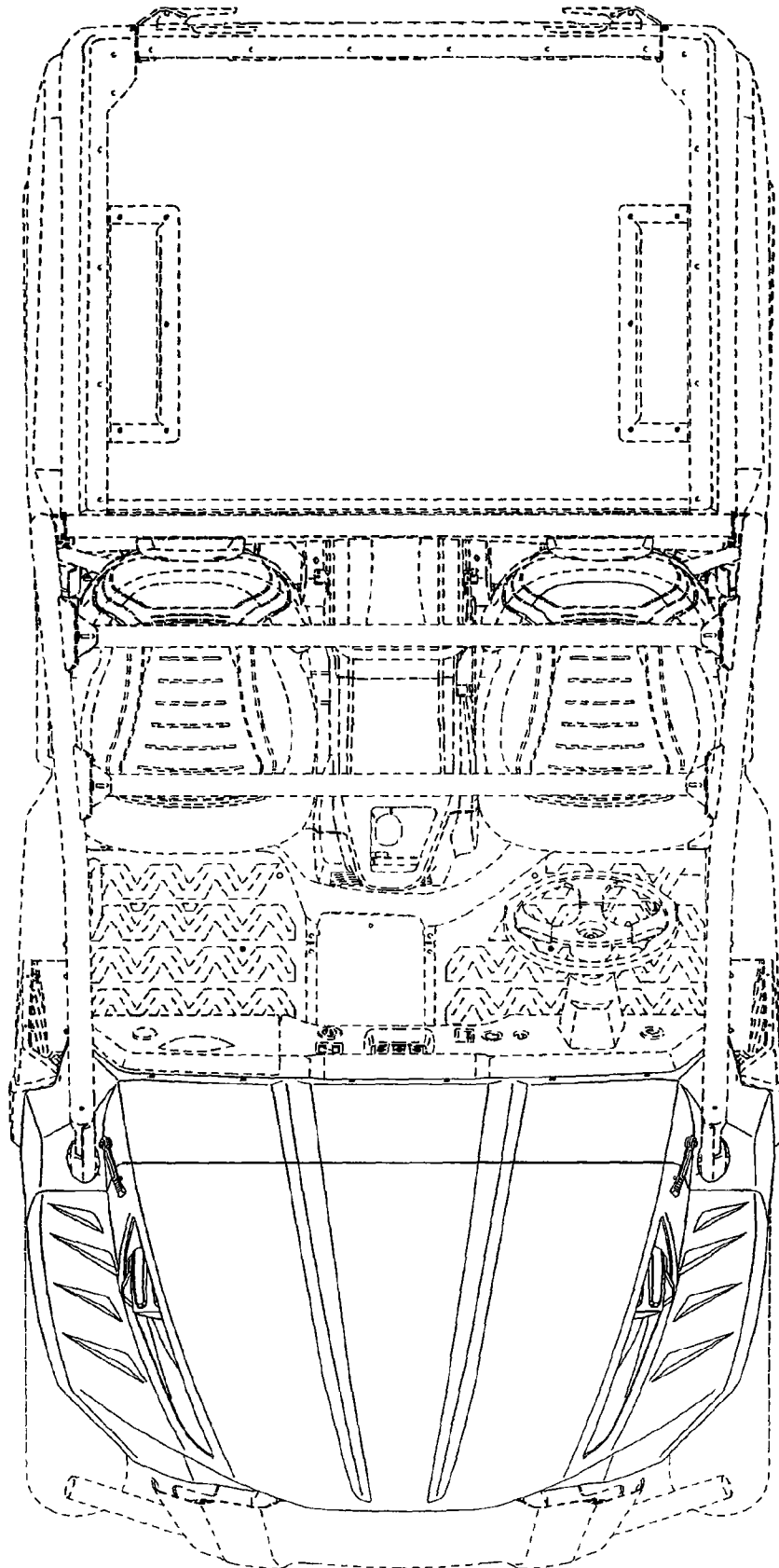


Fig. 4

Fig. 5



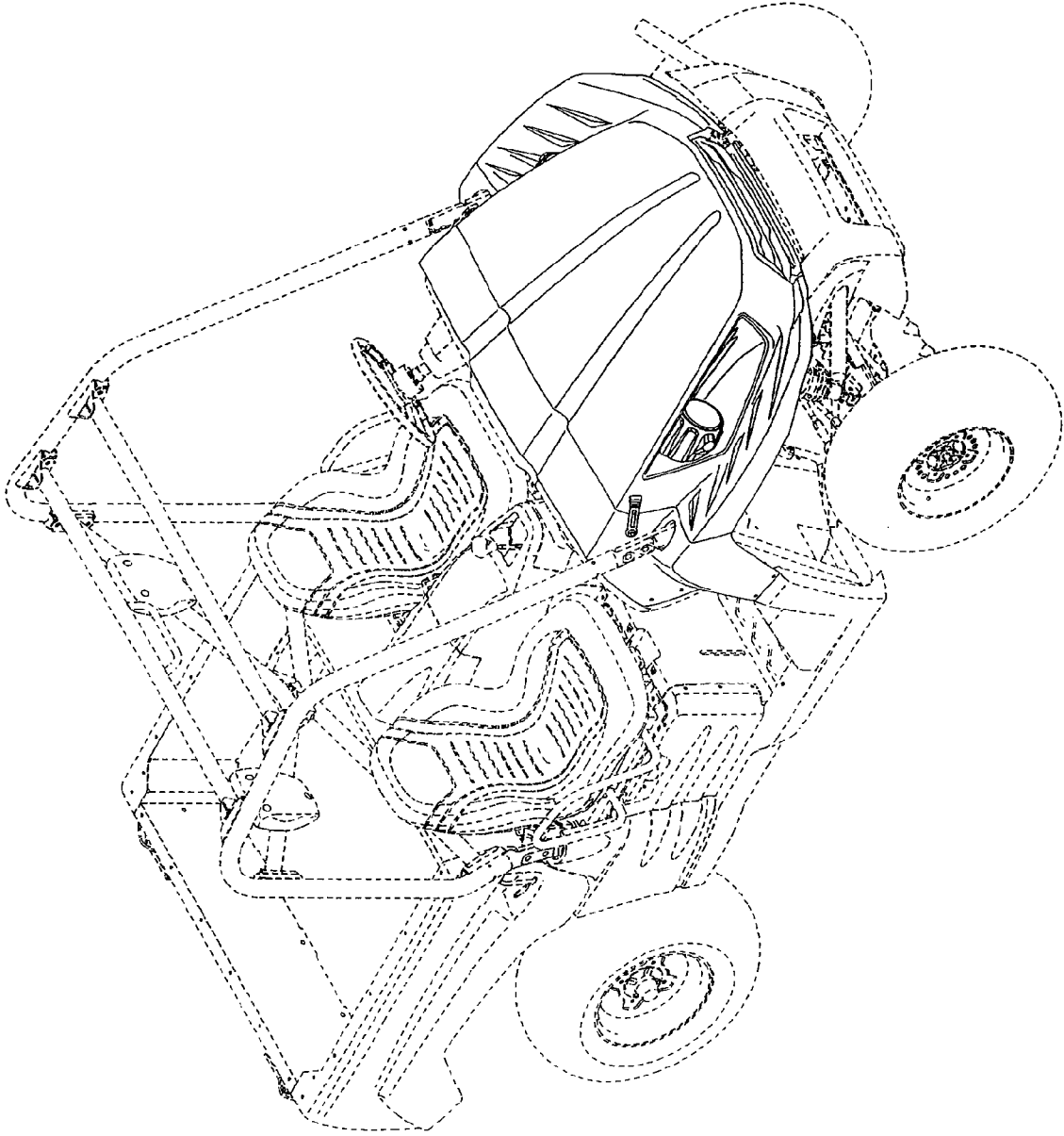


Fig. 6

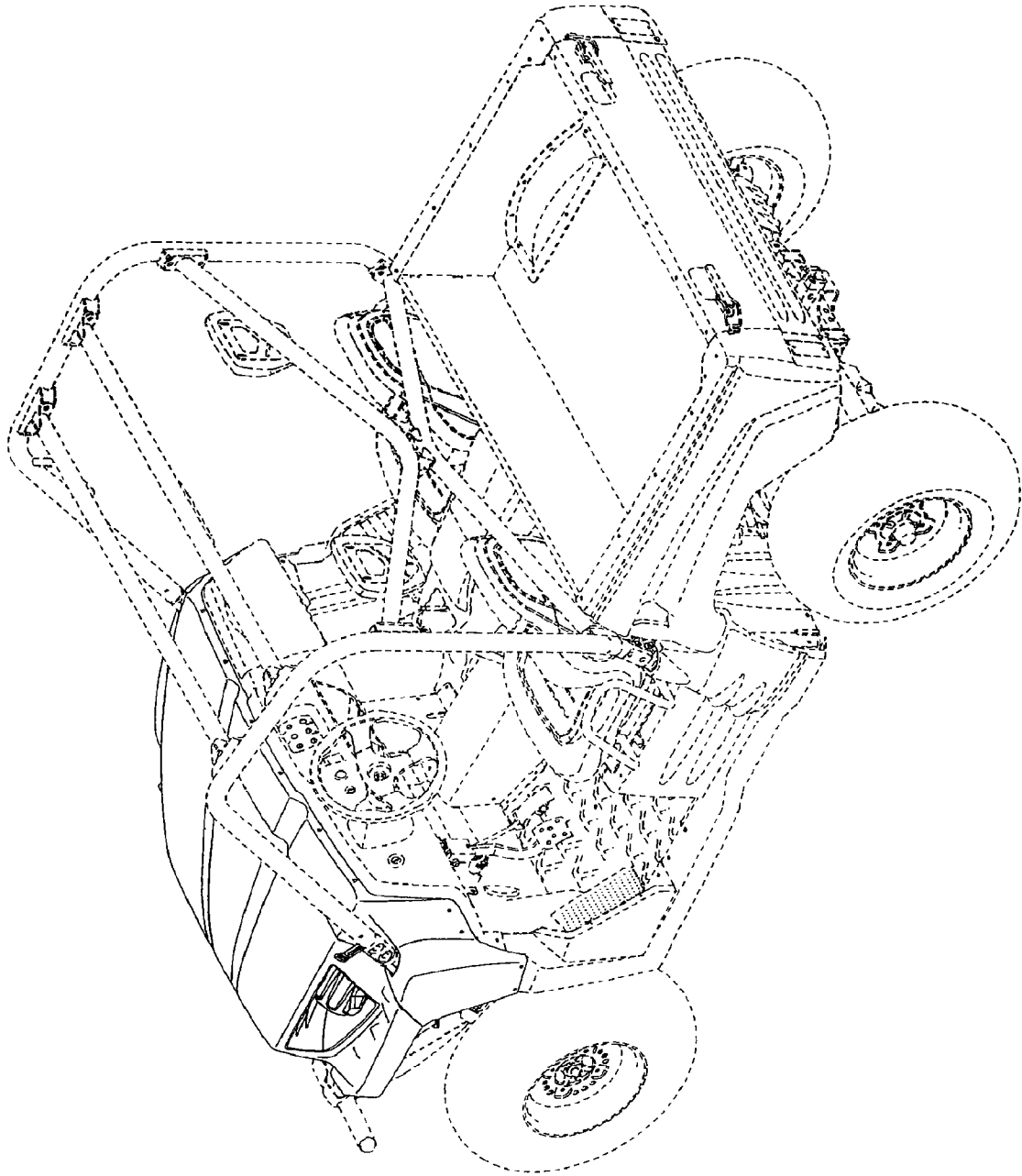


Fig. 7