



INTERNATIONAL APPLICATION PUBLISHED UNDER THE PATENT COOPERATION TREATY (PCT)

<p>(51) International Patent Classification ⁶ : A42B 3/22, 3/08</p>	<p>A1</p>	<p>(11) International Publication Number: WO 95/20886 (43) International Publication Date: 10 August 1995 (10.08.95)</p>
<p>(21) International Application Number: PCT/CA95/00043 (22) International Filing Date: 27 January 1995 (27.01.95) (30) Priority Data: 2,114,826 1 February 1994 (01.02.94) CA (71) Applicant: LEADER INDUSTRIES INC. [CA/CA]; 1280 Nobel Street, Boucherville, Quebec J4B 5H1 (CA). (72) Inventors: PERNICKA, Martin, P.; 8250 rue Island, St-François, Quebec H7A 1R7 (CA). ISABELLE, Paul; 4980 rue des Bocages Est, St-Augustin de Desmaures, Quebec G3A 1G3 (CA). GAGNON, Hubert; 308 rue du Grand-Hunier, St-Augustin de Desmaures, Quebec G3A 2J1 (CA). (74) Agent: DUBUC, Jean, H.; Goudreau Gage Dubuc & Martineau Walker, 3400 The Stock Exchange Tower, P.O. Box 242, Victoria Square, Montreal, Quebec H4Z 1E9 (CA).</p>		<p>(81) Designated States: AM, AT, AU, BB, BG, BR, BY, CH, CN, CZ, DE, DK, EE, ES, FI, GB, GE, HU, JP, KE, KG, KP, KR, KZ, LK, LR, LT, LU, LV, MD, MG, MN, MW, MX, NL, NO, NZ, PL, PT, RO, RU, SD, SE, SI, SK, TJ, TT, UA, UZ, VN, European patent (AT, BE, CH, DE, DK, ES, FR, GB, GR, IE, IT, LU, MC, NL, PT, SE), OAPI patent (BF, BJ, CF, CG, CI, CM, GA, GN, ML, MR, NE, SN, TD, TG), ARIPO patent (KE, MW, SD, SZ).</p> <p>Published <i>With international search report.</i></p>
<p>(54) Title: A PROTECTIVE SPORTS HEADGEAR</p>		
<p>(57) Abstract</p>		
<p>The disclosure herein describes a protective sports headgear (10) that comprises a helmet (12), an intermediate adapter (24) fixed to the helmet and a visor shield (14) hingedly connected to the adapter (24) at the opposite side thereof. A pin (64) mounted on the visor shield (14) engages a locking element (40) on the adapter (24), the locking engagement being manually releasable allowing the visor shield (14) to be pivotally lifted over the forehead and the top of the helmet (12). The visor shield (14) also includes an adjustment member (102) enabling various positions of the visor shield (14) relative to the helmet (12). A chin cup (98) is hingedly mounted to the lower part of the visor shield (14).</p>		

FOR THE PURPOSES OF INFORMATION ONLY

Codes used to identify States party to the PCT on the front pages of pamphlets publishing international applications under the PCT.

AT	Austria	GB	United Kingdom	MR	Mauritania
AU	Australia	GE	Georgia	MW	Malawi
BB	Barbados	GN	Guinea	NE	Niger
BE	Belgium	GR	Greece	NL	Netherlands
BF	Burkina Faso	HU	Hungary	NO	Norway
BG	Bulgaria	IE	Ireland	NZ	New Zealand
BJ	Benin	IT	Italy	PL	Poland
BR	Brazil	JP	Japan	PT	Portugal
BY	Belarus	KE	Kenya	RO	Romania
CA	Canada	KG	Kyrgystan	RU	Russian Federation
CF	Central African Republic	KP	Democratic People's Republic of Korea	SD	Sudan
CG	Congo	KR	Republic of Korea	SE	Sweden
CH	Switzerland	KZ	Kazakhstan	SI	Slovenia
CI	Côte d'Ivoire	LI	Liechtenstein	SK	Slovakia
CM	Cameroon	LV	Latvia	SN	Senegal
CN	China	LU	Luxembourg	TD	Chad
CS	Czechoslovakia	LV	Latvia	TG	Togo
CZ	Czech Republic	MC	Monaco	TJ	Tajikistan
DE	Germany	MD	Republic of Moldova	TT	Trinidad and Tobago
DK	Denmark	MG	Madagascar	UA	Ukraine
ES	Spain	ML	Mali	US	United States of America
FI	Finland	MN	Mongolia	UZ	Uzbekistan
FR	France			VN	Viet Nam
GA	Gabon				

- 1 -

TITLE OF THE INVENTION

A protective sports headgear.

FIELD OF THE INVENTION

The present invention relates to a protective sports headgear having a visor shield which may be manually lifted over a helmet.

5 DESCRIPTION OF PRIOR ART

Protective headgears are used in many sports such as hockey, football, etc. Such headgears consist of a helmet and a face guard which may be of the transparent plastic visor type or of the rigid metallic grill type.

10 One known problem with these types of headgears occur when the wearer is not during playing action and wishes to remove the helmet for various reasons, such as ventilation, removal of the pressure exerted by the constricting structure of a helmet, or simply to wipe a perspiring face. One protective headgear may be found
15 described in U.S. patent 5,093,936 issued March 10, 1992 to Itech Sport Products Inc. However, such equipment is cumbersome in its use since each opposite side of the face guard is provided with a resilient lock element
20 which the user must manually operate to enable him to raise the guard upwardly.

OBJECTS AND STATEMENT OF THE INVENTION

- 2 -

The present invention pertains to an improved protective sports headgear which overcomes the above-described problem and which is easily manually operated by the user. This is achieved by providing a single
5 interlocking arrangement at the front upper region of the gace guard so that the user may single-handedly disengage the locking arrangement and lift the visor upwardly to extend over the helmet.

The present invention therefore relates to a
10 protective sports headgear which comprises, in its broadest aspect, a helmet having a forehead area and top, rear and sides to cover a wearer's head;

an intermediate adapter fixed to the forehead area, the adapter defining a front portion and opposite
15 side portions;

a visor shield hingedly connected to the adapter at the said opposite side portions;

lock engaging means on the visor shield centrally thereof and along the upper edge thereof; and

20 lock means mounted at the front portion of the adapter and cooperating with the lock engaging means on the visor shield; the lock means being manually releasable so that, by disengaging the lock engaging means from the lock means, the visor shield may be
25 pivotally lifted to extend over the forehead area and the top of the helmet.

- 3 -

In one form of the invention, the visor shield comprises, at its opposite side portions, means for adjusting the position of the visor relative to the helmet in order to suit various face configurations of users.

In another form of the invention, the adapter has means cooperating with the visor shield in order to retain it in its lifted position.

Other objects and further scope of applicability of the present invention will become apparent from the detailed description given hereinafter. It should be understood, however, that this detailed description, while indicating preferred embodiments of the invention, is given by way of illustration only, since various changes and modifications within the spirit and scope of the invention will become apparent to those skilled in the art.

BRIEF DESCRIPTION OF THE DRAWINGS

Figure 1 is a perspective view of a protective sports headgear made in accordance with the present invention;

Figure 2 is a side elevation view thereof;

Figure 3 is front elevation view thereof;

Figure 4 is a cross-sectional view taken along lines 4-4 of figure 3;

- 4 -

Figure 5 is a perspective view similar to figure 1 with part of the visor shield being broken away to illustrate the adapter;

Figure 6 is a cross-sectional view taken along
5 lines 6-6 of figure 8;

Figure 7 is a side elevation view showing two positions of the visor shield relative to the helmet; and

Figure 8 is a side elevation view showing the visor shield in the lifted position.

10 **DESCRIPTION OF PREFERRED EMBODIMENTS**

Referring to figures 1, 2 and 3, there is shown a protective sports headgear, generally denoted 10, consisting of a helmet 12 and of a visor shield or face guard 14. The helmet has a forehead area 16, a top 18
15 and opposite sides 20 and 22. Such helmet is well known and may have various shapes and configurations; the one illustrated in the figures is one which is used most often in the game of ice hockey.

The visor shield 14, made of transparent
20 plastics material, is arch-shaped and extends over the open front portion of the helmet, terminating to the side portions thereof.

Referring also to figure 5, an adapter, generally denoted 24, is used as an intermediate element
25 between the helmet 12 and the visor shield 14. The

- 5 -

adapter 24 includes a flat band portion 26 which follows the contour of the forehead area of the helmet. This adapter has an enlarged central area 28 and two opposite upwardly extending side being portions 30 and 32; it may
5 be provided with a series of holes so as to be fixedly mounted to various types of helmets. Fastening elements, such as screws 34, 36 and 38, secure the adapter to the helmet by engaging corresponding holes in the helmet.

In the central frontal region 28 of the
10 adapter, there is provided a lock device 40 (see figure 4) consisting of a rear wall 42 mounted to or integral to the adapter portion 28 and of a front wall formed of three sections 46, 48 and 50. The two opposite sections 46 and 50 each have a rounded bottom recess 52 in
15 registry with one another while the middle section 48 has a lower enlarged bottom recess 53. The middle section 48 also includes a semi-circular recess in its inner wall which is in registry with the recesses of the other two sections 46 and 50. The middle section 48 can be flexed
20 outwardly (such as shown by the dotted line in figure 4); this is made possible by a restricted area 56 at the lower recess 53.

Still referring to figure 4, the visor shield
14 has a lock engaging portion 60 which may consist of a
25 separate member fixedly attached to the visor shield or which may be an integral part thereof. This locking

- 6 -

engaging portion consists of a pair of arms 62 carrying a transverse horizontal pin 64 which, as illustrated by arrow 66, may be slid into the recesses 52 of the lock sections 46 and 50. As it is being inserted, the pin pushes the central section 48 outwardly to thereafter be engaged in the recess 54 and recesses 52. Removal of the pin from this engagement may be easily effected by a simple frontal manual gripping of section 48 allowing the visor shield to be raised upwardly out of the lock device to a position such as illustrated in figure 8, that is over the forehead area and top of the helmet.

Figure 6 illustrates an outwardly projecting arm 70 fixed to or integrally formed with the adapter 24. This arm displays an outwardly projecting V-shaped portion 72 formed of opposite sloping faces 74 and 76 which are contacted by the side edge area 77 of the visor shield. Hence, when the visor shield is raised such as shown in figure 8, the retaining arm 70 serves to hold the visor in its lifted position. On the other hand, the slope of face 74 makes rather easy for the user to return the visor shield to its downward face covering position.

The pivotal movement of the visor shield relative to the helmet is accomplished by hinge elements 80, 82 on opposite sides of the headgear which also secure the visor shield to the adapter side wing portions 30 and 32.

- 7 -

Due to the various face configurations of users, it may be wished to vary the position of the visor shield relative to the helmet for optimum viewing and, in some cases, for the exact locating of a chin contacting device 98 mounted to a frame 100 at the lower part of the visor shield.

As illustrated in figure 7, the visor shield may adopt various positions between that illustrated in full lines and that illustrated in dotted lines. To achieve this, there is provided an adjustment element, generally designated 102, which has its upper part 104 connected to the side portions 30, 32 of the adapter and secured thereto by means of the hinge elements 80, 82. The adjustment element 102 displays a vertical slot 108 into which is received a fastening bolt 110. This bolt secures a side wing projection 112 of the visor shield to the adjustment element. Untightening bolt 110 allows the visor shield to be moved, i.e. pivoted, about the pin 64 engaged in the locking arrangement described above. When the visor shield is moved downward about pin 64, the bolt 110 slides in the slot 108; once it has reached its lowermost position, the visor shield has the position illustrated by the dotted lines. It is to be noted that the opposite side wing projections 112 of the visor shield may extend behind the adjustment elements 102; similarly, the vertical slots 108 may be provided on the visor shield rather than on the adjustment elements.

- 8 -

This feature is particularly useful when a chin contacting frame 100 is mounted to the visor shield. This frame is hingedly connected at 120 and 122. It is arc-shaped and located inwardly of the arc-shaped lower part of the visor shield. The construction operation of the frame 100 and its chin contacting element 98 is made part of a patent application filed concurrently herewith. The pivotal movement of this frame is limited when the visor shield is in the position shown in figure 7, that is when its upper edge contacts the lower part of the visor shield.

The visor shield is also provided with a series of ventilation openings on each opposite side and in its lower part to provide proper maximum cooling for the users during their sport activity.

Although the invention has been described above with respect with one specific form, it will be evident to a person skilled in the art that it may be modified and refined in various ways. It is therefore wished to have it understood that the present invention should not be limited in scope, except by the terms of the following claims.

- 9 -

The embodiments of the invention in which an exclusive property or privilege is claimed are defined as follows:

1. A protective sports headgear comprising:
 - 5 a helmet defining a forehead area and top, rear and sides to cover a wearer's head;
 - an intermediate adapter fixed to said forehead area, said adapter defining a front portion and opposite side portions;
 - 10 a visor shield hingedly connected to said adapter at said opposite side portions;
 - lock engaging means on said visor shield centrally thereof and along the upper edge thereof; and
 - lock means mounted at said front portion
 - 15 of said adapter and cooperating with said lock engaging means on said visor shield; said lock means being manually releasable so that, by disengaging said lock engaging means from said lock means, said visor shield may be pivotally lifted to extend over said forehead area
 - 20 and said top of said helmet.

2. A protective sports headgear as defined in claim 1, wherein said visor shield includes, at said opposite side portions thereof, means for adjusting the position of said visor relative to said helmet.

3. A protective sports headgear as defined in claim 2, wherein said adjusting means include an adjustment element having one end hingedly connected to said adapter and releasable means for securing said visor shield to said element.

4. A protective sports headgear as defined in claim 3, wherein said adjustment element defines a longitudinal slot receiving said securing means therein so as to provide incremental positions of said visor shield relative to said helmet.

5. A protective sports headgear as defined in claim 4, wherein said lock engaging means consist of a pin acting as a pivot point for said incremental adjustment positions of said visor relative to said helmet.

6. A protective sports headgear as defined in any one of claims 1 to 5, further comprising means on said adapter cooperating with said visor shield for retaining said visor in a lifted position.

7. A protective sports headgear as defined in any one of claims 1 to 5, further comprising a chin engaging device hingedly mounted to opposite sides of said visor shield at a lower part thereof; said device

- 11 -

being disposed inwardly of said visor shield at said lower part thereof.

8. A protective sports headgear as defined in claim 7, wherein said lower part of said visor shield
5 defines a lower edge and wherein said device defines an upper edge; said upper edge being so dimensioned as to be limited in its downward hinge movement by contacting said lower edge of said visor shield.

9. A protective sports headgear as defined in
10 claim 8, wherein said device includes a chin contacting cushion element pivotally mounted at a central part of said device.

10. A protective sports headgear as defined in any one of claims 1 to 5, 8 and 9 wherein said visor
15 shield is made of transparent plastics material.

11. A protective sports headgear as defined in claim 10 wherein said lower part and said opposite side portions of said visor shield include ventilation openings.

1/4

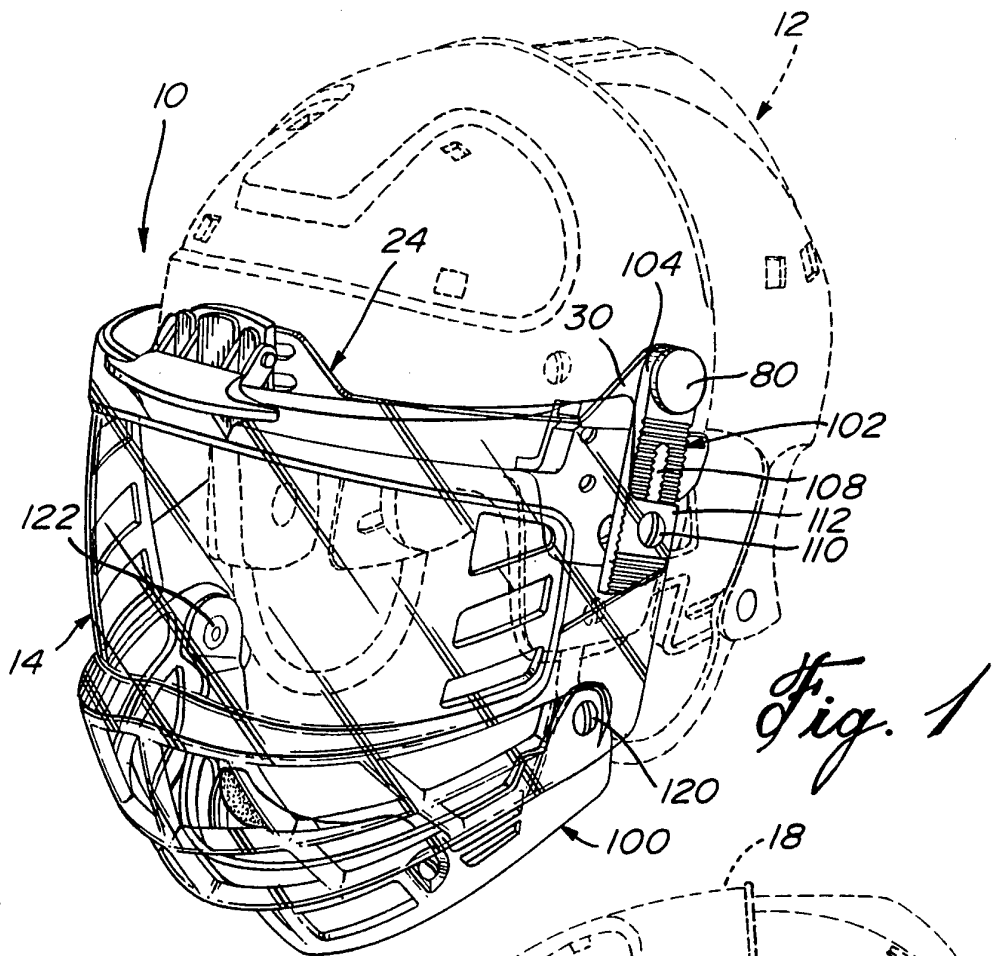


Fig. 1

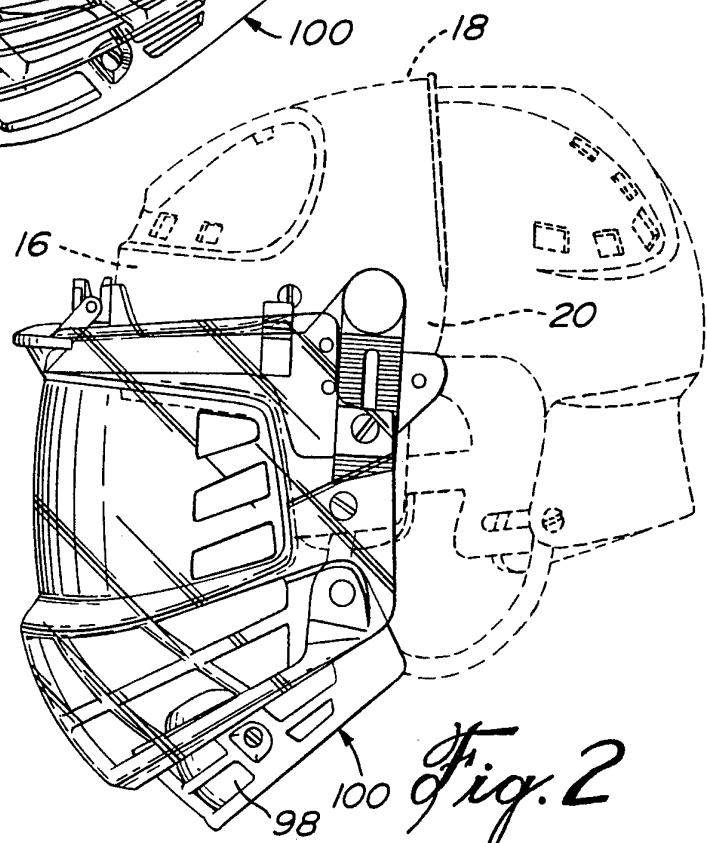


Fig. 2

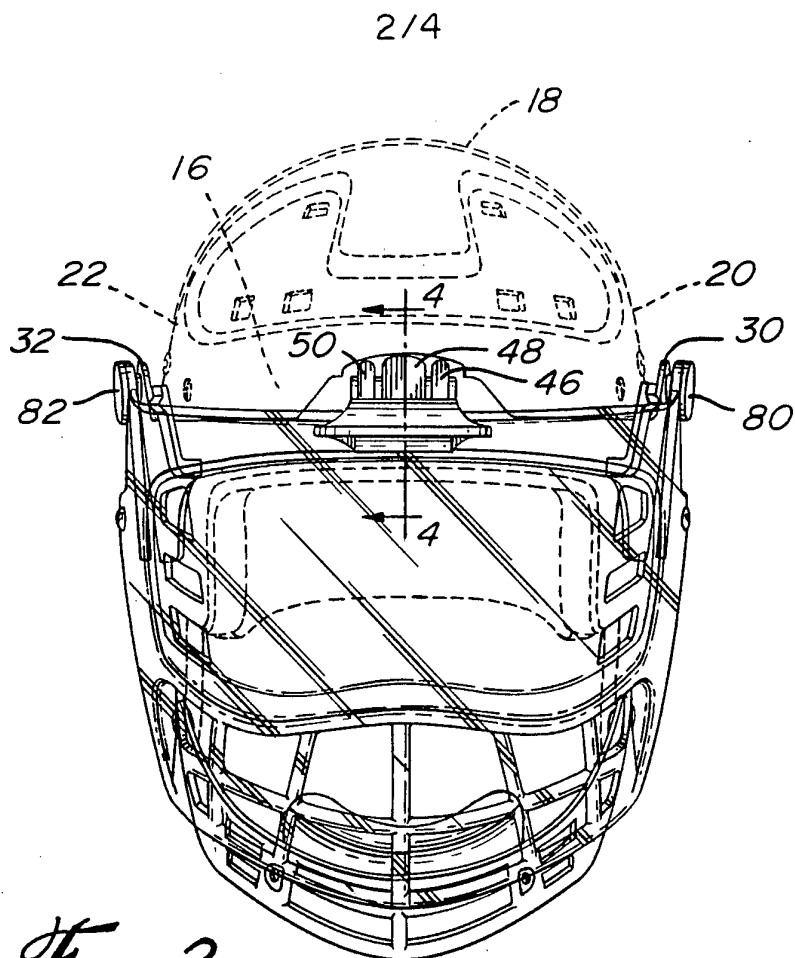


Fig. 3

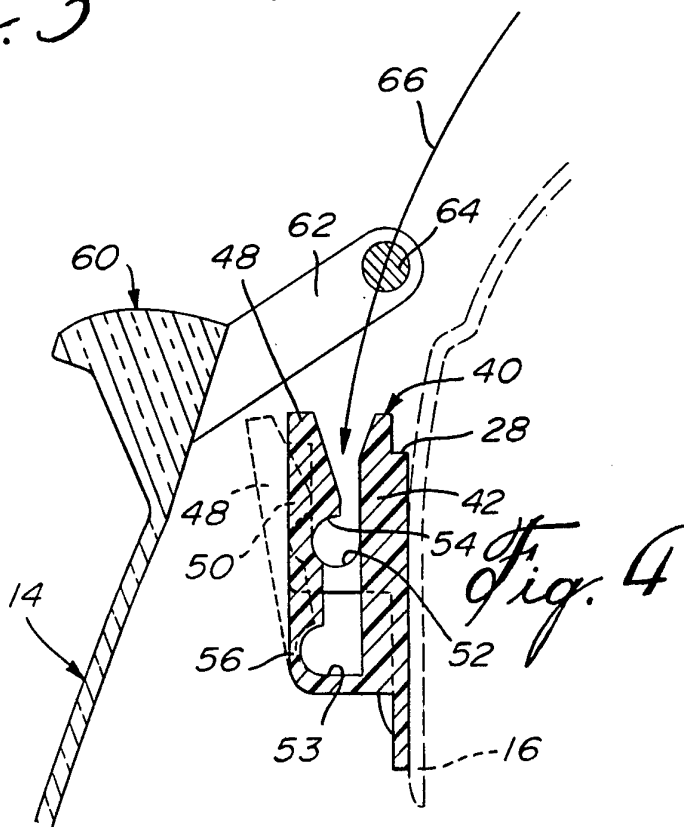
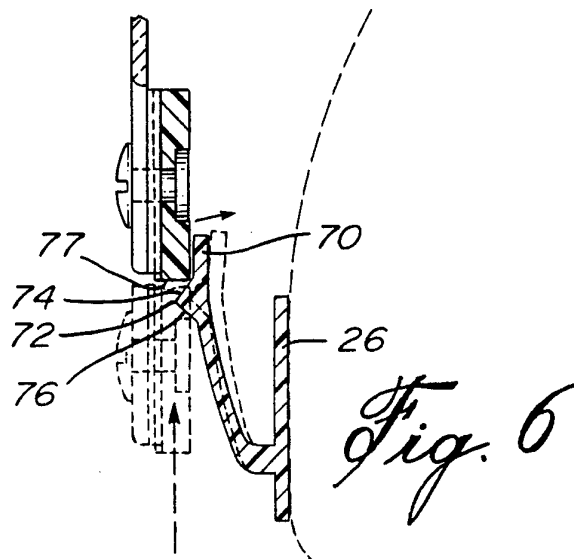
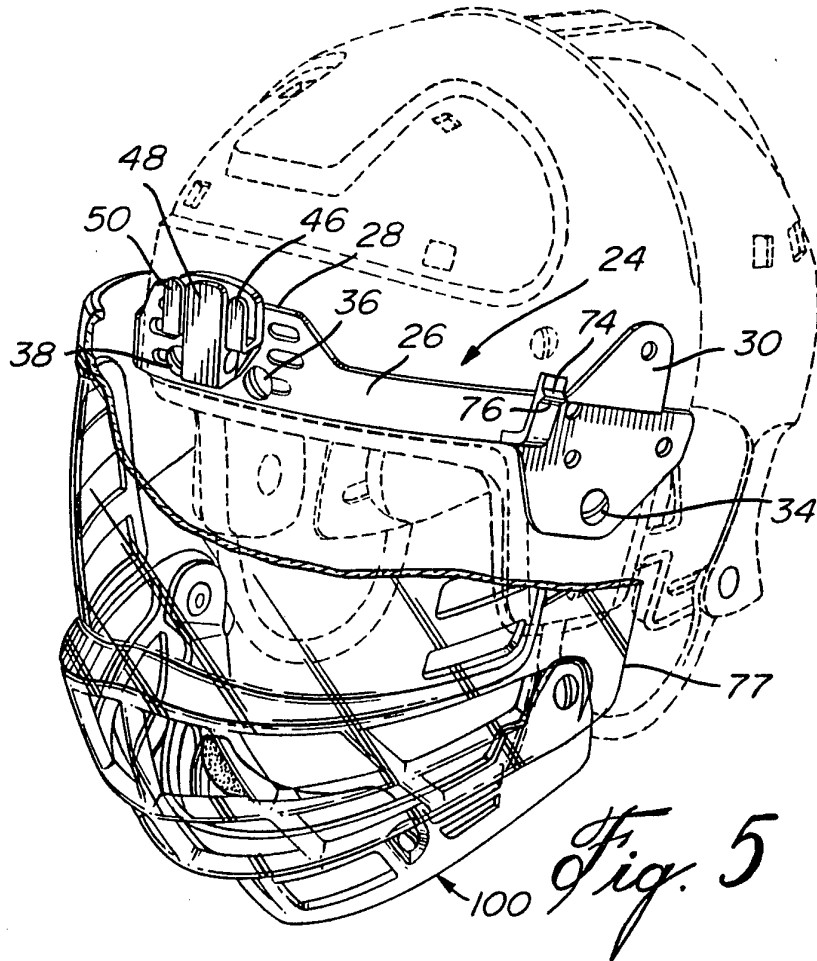


Fig. 4



4/4

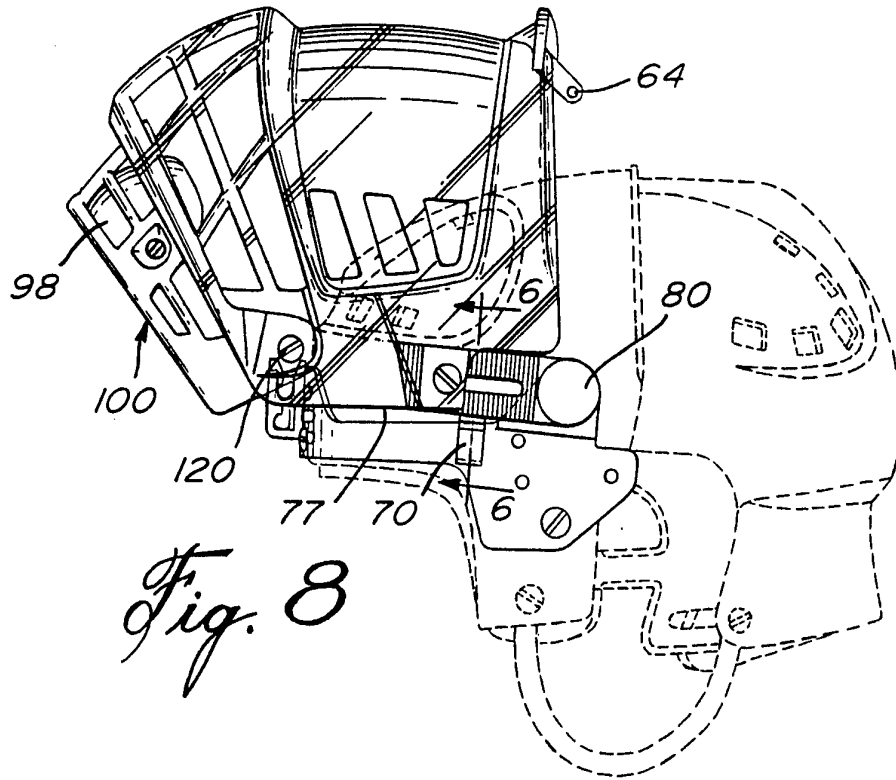


Fig. 8

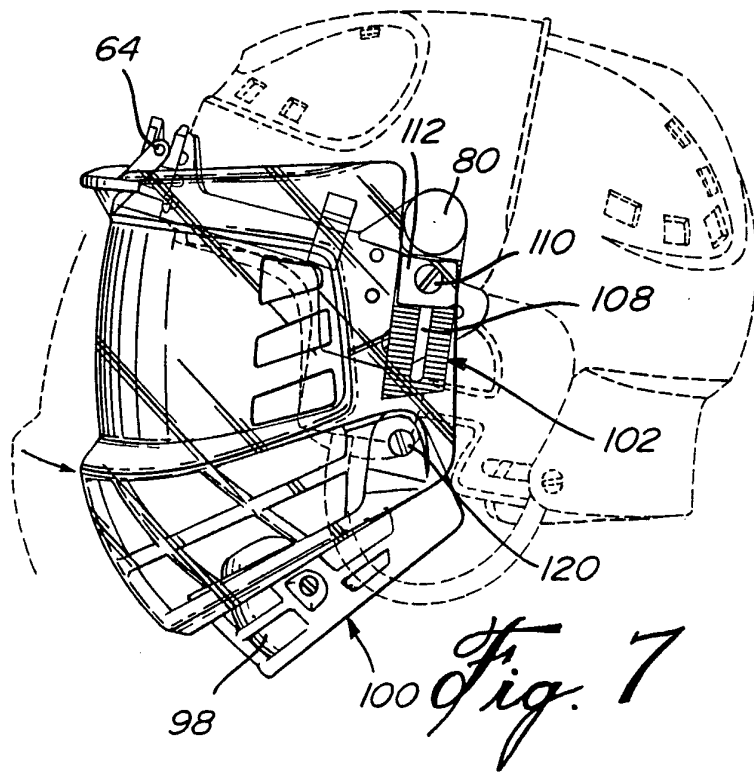


Fig. 7

INTERNATIONAL SEARCH REPORT

International application No
PCT/CA 95/00043

A. CLASSIFICATION OF SUBJECT MATTER
IPC 6 A42B3/22 A42B3/08

According to International Patent Classification (IPC) or to both national classification and IPC

B. FIELDS SEARCHED

Minimum documentation searched (classification system followed by classification symbols)

IPC 6 A42B

Documentation searched other than minimum documentation to the extent that such documents are included in the fields searched

Electronic data base consulted during the international search (name of data base and, where practical, search terms used)

C. DOCUMENTS CONSIDERED TO BE RELEVANT

Category *	Citation of document, with indication, where appropriate, of the relevant passages	Relevant to claim No.
Y	GB,A,1 427 992 (STADIUM LIMITED) 10 March 1976 see page 1, left column, line 45 - right column, line 60 see page 1, right column, line 77 - line 83 * page 2, left column, lines 25 - 31, 39 - 51 * see figures 1,2 ---	1-4
Y	US,A,5 012 528 (M. PERNICKA ET AL.) 7 May 1991 see column 4, line 8 - line 37 see figures 6,7 --- -/--	1-4

Further documents are listed in the continuation of box C.

Patent family members are listed in annex.

* Special categories of cited documents :

"A" document defining the general state of the art which is not considered to be of particular relevance

"E" earlier document but published on or after the international filing date

"L" document which may throw doubts on priority claim(s) or which is cited to establish the publication date of another citation or other special reason (as specified)

"O" document referring to an oral disclosure, use, exhibition or other means

"P" document published prior to the international filing date but later than the priority date claimed

"T" later document published after the international filing date or priority date and not in conflict with the application but cited to understand the principle or theory underlying the invention

"X" document of particular relevance; the claimed invention cannot be considered novel or cannot be considered to involve an inventive step when the document is taken alone

"Y" document of particular relevance; the claimed invention cannot be considered to involve an inventive step when the document is combined with one or more other such documents, such combination being obvious to a person skilled in the art.

"&" document member of the same patent family

Date of the actual completion of the international search

11 May 1995

Date of mailing of the international search report

26.05.95

Name and mailing address of the ISA

European Patent Office, P.B. 5818 Patentlaan 2
 NL - 2280 HV Rijswijk
 Tel. (+ 31-70) 340-2040, Tx. 31 651 epo nl,
 Fax (+ 31-70) 340-3016

Authorized officer

Bourseau, A-M

INTERNATIONAL SEARCH REPORT

International application No
PCT/CA 95/00043

C.(Continuation) DOCUMENTS CONSIDERED TO BE RELEVANT

Category *	Citation of document, with indication, where appropriate, of the relevant passages	Relevant to claim No.
Y	US,A,4 124 902 (R. J. SERES ET AL.) 14 November 1978 see column 1, line 39 - line 51 see column 2, line 19 - line 59 see figures 1-4 ---	1-4
A	US,A,4 280 491 (R. C. BERG ET AL.) 28 July 1981 see column 3, line 35 - column 4, line 7; figures ---	1,6
A	US,A,4 475 248 (R. L'ABBE ET AL.) 9 October 1984 see column 2, line 44 - line 49; figures 1,2 ---	1
A	FR,A,2 391 664 (PH DIFFUSION) 22 December 1978 ---	1
A	US,A,3 858 242 (E. R. GOODING) 7 January 1975 ---	
A	US,A,2 908 911 (T. J. SOWLE) 20 October 1959 ---	
A	US,A,4 021 858 (G. P. NEELD ET AL.) 10 May 1977 ---	
A	US,A,3 113 318 (M. T. MARIETTA) 10 December 1963 ---	
A	US,A,5 093 936 (S. COPELAND ET AL.) 10 March 1992 cited in the application -----	

INTERNATIONAL SEARCH REPORT

Information on patent family members

Internatio .pplication No
PCT/CA 95/00043

Patent document cited in search report	Publication date	Patent family member(s)	Publication date
GB-A-1427992	10-03-76	NONE	
US-A-5012528	07-05-91	NONE	
US-A-4124902	14-11-78	CA-A- 1080403	01-07-80
		DE-A- 2847060	03-05-79
		GB-A- 1560779	06-02-80
US-A-4280491	28-07-81	AU-B- 542910	21-03-85
		AU-A- 7037481	23-09-81
		CA-A- 1165205	10-04-84
		DE-A- 3108628	04-02-82
		EP-A, B 0047296	17-03-82
		WO-A- 8102514	17-09-81
US-A-4475248	09-10-84	NONE	
FR-A-2391664	22-12-78	NONE	
US-A-3858242	07-01-75	NONE	
US-A-2908911	20-10-59	NONE	
US-A-4021858	10-05-77	CA-A- 1015902	23-08-77
		SE-A- 7702637	12-09-77
US-A-3113318	10-12-63	NONE	
US-A-5093936	10-03-92	AU-B- 1345595	27-04-95
		AU-A- 8922291	11-06-92
		WO-A- 9208380	29-05-92
		CZ-A- 9300954	16-02-94
		EP-A- 0558559	08-09-93
		JP-T- 6502456	17-03-94
		US-E- RE34699	23-08-94
		US-A- 5129108	14-07-92