

[54] FACE SHIELD ATTACHMENT FOR A SAFETY HELMET

[76] Inventor: Bo G. Lönnstedt, Kvarnbergsvägen 23, S-141 45 Huddinge, Sweden

[\*\*] Term: 14 Years

[21] Appl. No.: 685,062

[22] Filed: Dec. 21, 1984

[30] Foreign Application Priority Data

Jul. 4, 1984 [SE] Sweden ..... 84-1990

[52] U.S. Cl. .... D29/16

[58] Field of Search ..... D2/230, 231, 232, 233; 2/9, 424, 425, 10

[56] References Cited

U.S. PATENT DOCUMENTS

- D. 199,931 12/1964 Kline ..... D2/233
- D. 210,002 1/1968 Zahn ..... D2/233

- 2,394,388 2/1946 Krogel ..... D2/233
- 2,834,017 5/1958 Simpson et al. .... 2/10
- 3,273,164 9/1966 Thomas ..... 2/10
- 3,369,255 2/1968 Bolle ..... 2/9
- 3,582,991 6/1971 Metz ..... D2/233
- 3,686,690 8/1972 Webb ..... 2/9

OTHER PUBLICATIONS

*New Equipment Digest*, Jan. 1978, p. 63; Hard Hat with Face Shield Attachment, top right on page.

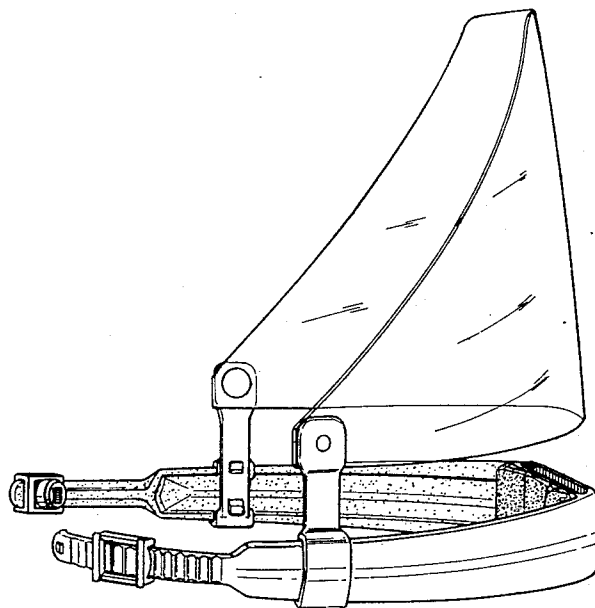
Primary Examiner—Carmen H. Vales  
Attorney, Agent, or Firm—Young & Thompson

[57] CLAIM

The ornamental design for a face shield attachment for a safety helmet, as shown and described.

DESCRIPTION

FIG. 1 is a side perspective view of a face shield attachment for a safety helmet showing my new design; the opposite side being a mirror image thereof; and FIG. 2 is a bottom perspective view thereof.



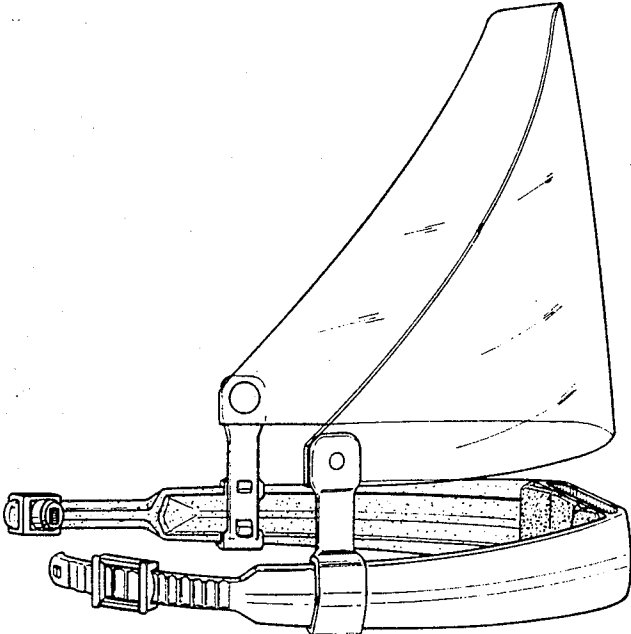


FIG.1

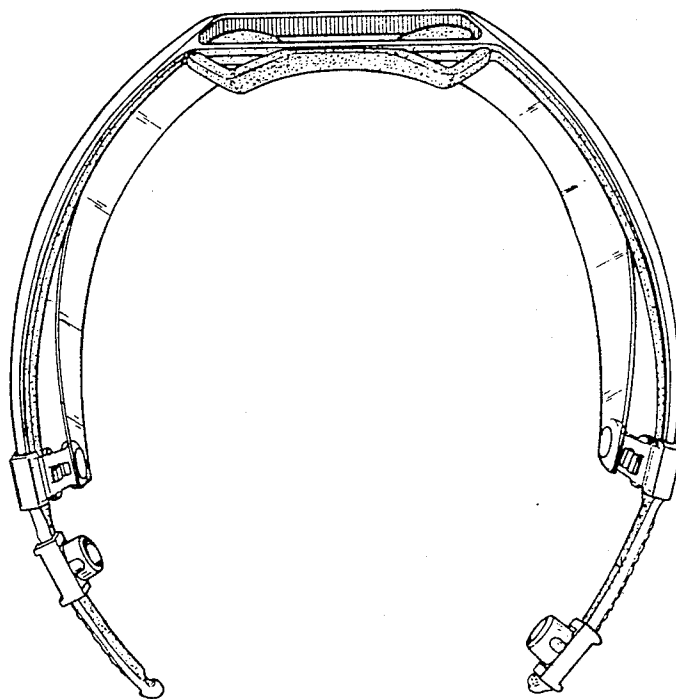


FIG. 2