



US00D416781S

United States Patent [19]

[11] Patent Number: Des. 416,781

Ward et al.

[45] Date of Patent: ** Nov. 23, 1999

[54] **INLET VALVE MOUNTING PLATE WITH REMOVABLE PROTECTOR**

[75] Inventors: **John Ward**, Midhurst; **Jim McKee**, Barrie, both of Canada

[73] Assignee: **Canplas Industries Ltd.**, Barrie, Canada

[**] Term: **14 Years**

[21] Appl. No.: **29/053,498**

[22] Filed: **Apr. 24, 1996**

[30] **Foreign Application Priority Data**

Oct. 24, 1995 [CA] Canada 1995-2377

[51] **LOC (6) Cl.** **08-05**

[52] **U.S. Cl.** **D8/354**

[58] **Field of Search** D8/354, 349; 248/27.1, 248/300, 309.1, 200; 15/314

[56] **References Cited**

U.S. PATENT DOCUMENTS

- 871,364 11/1907 Schmidt .
- 1,099,680 6/1914 Weirich .
- 1,875,224 8/1932 Despard .
- 2,174,811 10/1939 White .
- 2,248,201 7/1941 Russell et al. .
- 2,806,941 9/1957 Graziani .
- 3,034,085 5/1962 Pauler et al. .
- 3,036,170 5/1962 Forney .
- 3,076,068 1/1963 Racklyeft .
- 3,127,227 3/1964 Edwards .
- 3,173,164 3/1965 Congdon .
- 3,195,095 7/1965 Field .
- 3,258,553 6/1966 Breslin .
- 3,283,093 11/1966 Bishop .
- 3,291,927 12/1966 Riley, Jr. et al. .
- 3,314,039 4/1967 Opper .
- 3,335,744 8/1967 Hanford .
- 3,341,944 9/1967 Ligon .
- 3,357,039 12/1967 Hayward .
- 3,465,111 9/1969 Breslin .
- 3,470,521 9/1969 Downey .
- 3,483,503 12/1969 Paradiso .
- 3,565,103 2/1971 Maselek .

- 3,661,356 5/1972 Tucker .
- 3,812,444 5/1974 Reno .
- 3,895,732 7/1975 Robinson et al. .
- 4,036,389 7/1977 Pate et al. .
- 4,059,327 11/1977 Vann .
- 4,211,457 7/1980 Meadows .
- 4,336,427 6/1982 Lindsay .
- 4,402,516 9/1983 Gans et al. .
- 4,473,923 10/1984 Neroni et al. .
- 4,494,815 1/1985 Brzostek et al. .
- 4,525,918 7/1985 Puritz .
- 4,550,958 11/1985 Smith .
- 4,602,504 7/1986 Barber .
- 4,618,195 10/1986 Keane .
- 4,639,055 1/1987 Keane .
- 4,652,063 3/1987 Genoa et al. .
- 4,664,457 5/1987 Suchy .
- 4,732,397 3/1988 Gavin .
- 4,735,579 4/1988 Muser .
- 4,758,170 7/1988 Hayden .
- 4,815,747 3/1989 Wolford .
- 4,840,574 6/1989 Mills .
- 4,895,528 1/1990 Choiniere et al. .
- 4,902,043 2/1990 Zillig et al. .
- 4,915,640 4/1990 Hayden .
- 4,920,456 4/1990 Pirdzuns .
- 4,990,094 2/1991 Chandler et al. .
- 5,263,502 11/1993 Dick .
- 5,349,146 9/1994 Radabaugh 15/314 X
- 5,507,501 4/1996 Palmer .
- 5,578,795 11/1996 Ward .

FOREIGN PATENT DOCUMENTS

- 1268795 5/1990 Canada .
- 1267174 12/1990 Canada .

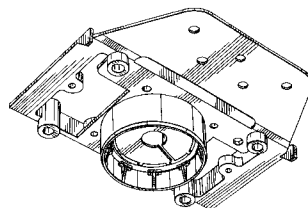
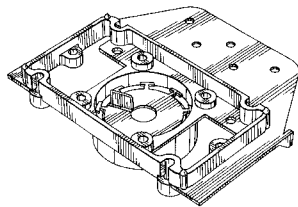
OTHER PUBLICATIONS

MetFlo Brochure H.P. Products Inc. 1988 Part No. 1200.
 Hayden T-31-MP 3 pages.
 Distributor Price List, H-P Products Inc., Mar. 18, 1985.

Primary Examiner—Susan J. Lucas
Assistant Examiner—Cynthia E. Ramirez

[57] **CLAIM**

The ornamental design for an inlet valve mounting plate with removable protector, as shown.



DESCRIPTION

FIG. 1 is a side perspective of a inlet valve mounting plate with removable protector according to my design.

FIG. 2 is a view from below of our design as shown in FIG. 1.

FIG. 3 is a side view of our design.

FIG. 4 is a plan view of our design.

FIG. 5 is an end view of our design; and,

FIG. 6 shows the opposite side of FIG. 2 of our design.

1 Claim, 3 Drawing Sheets

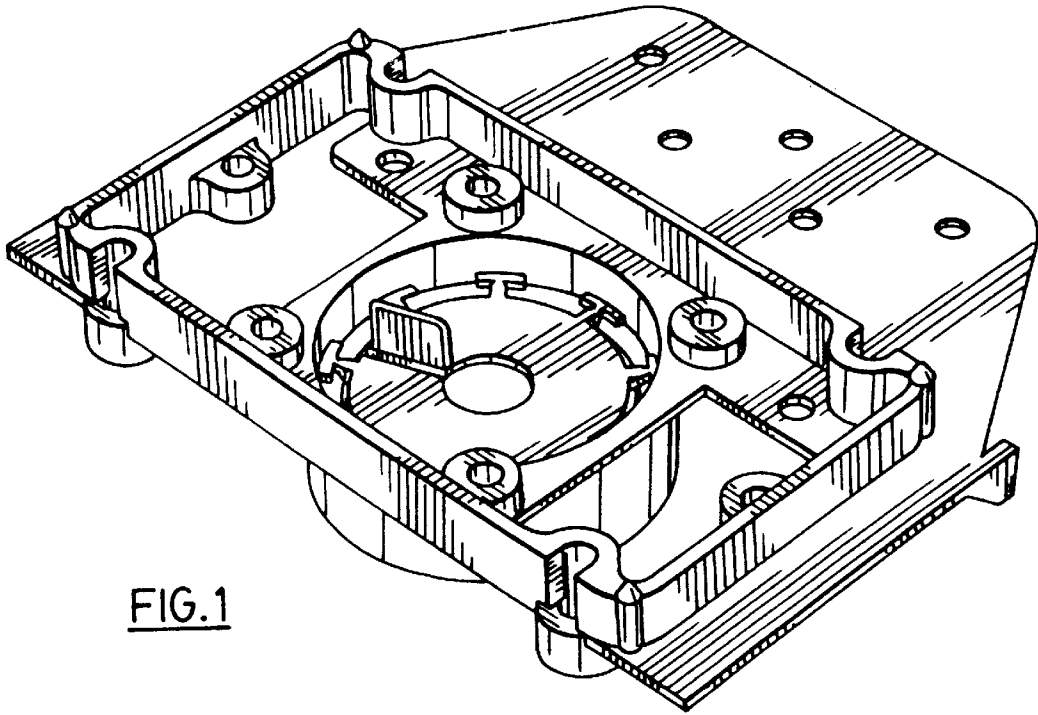


FIG. 1

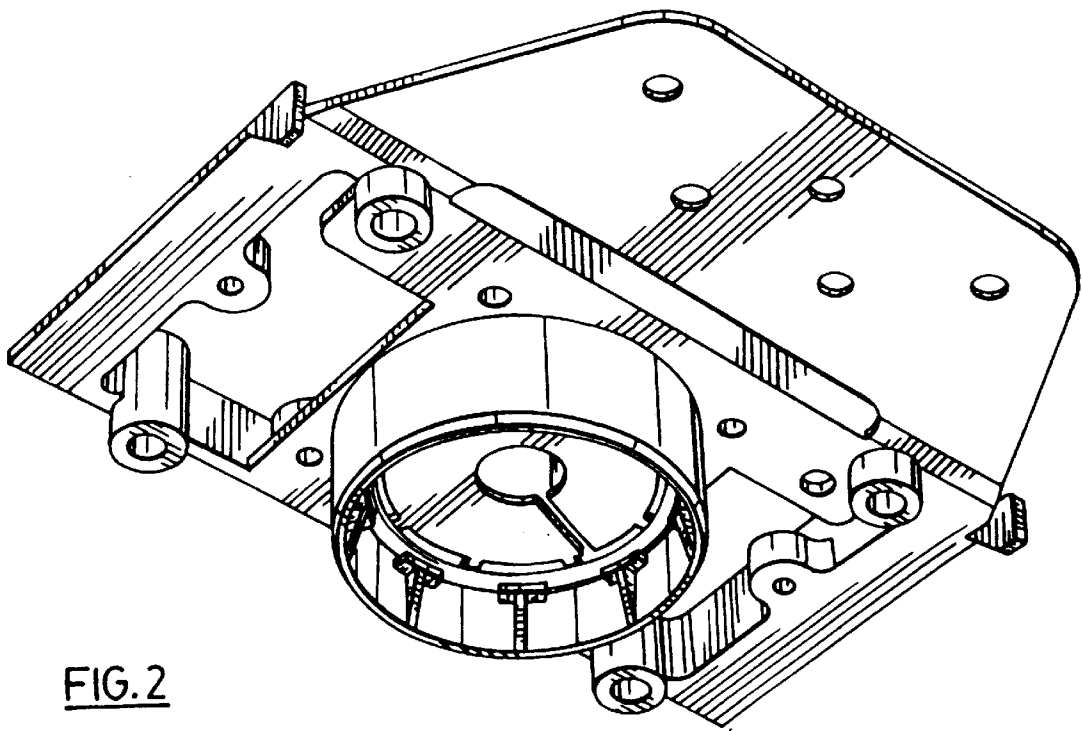
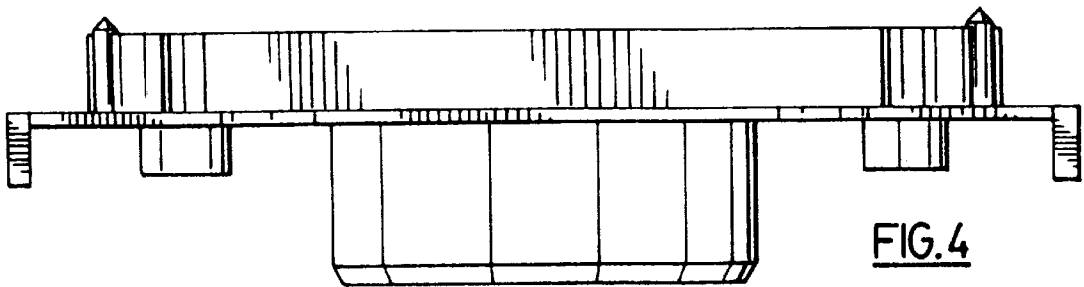
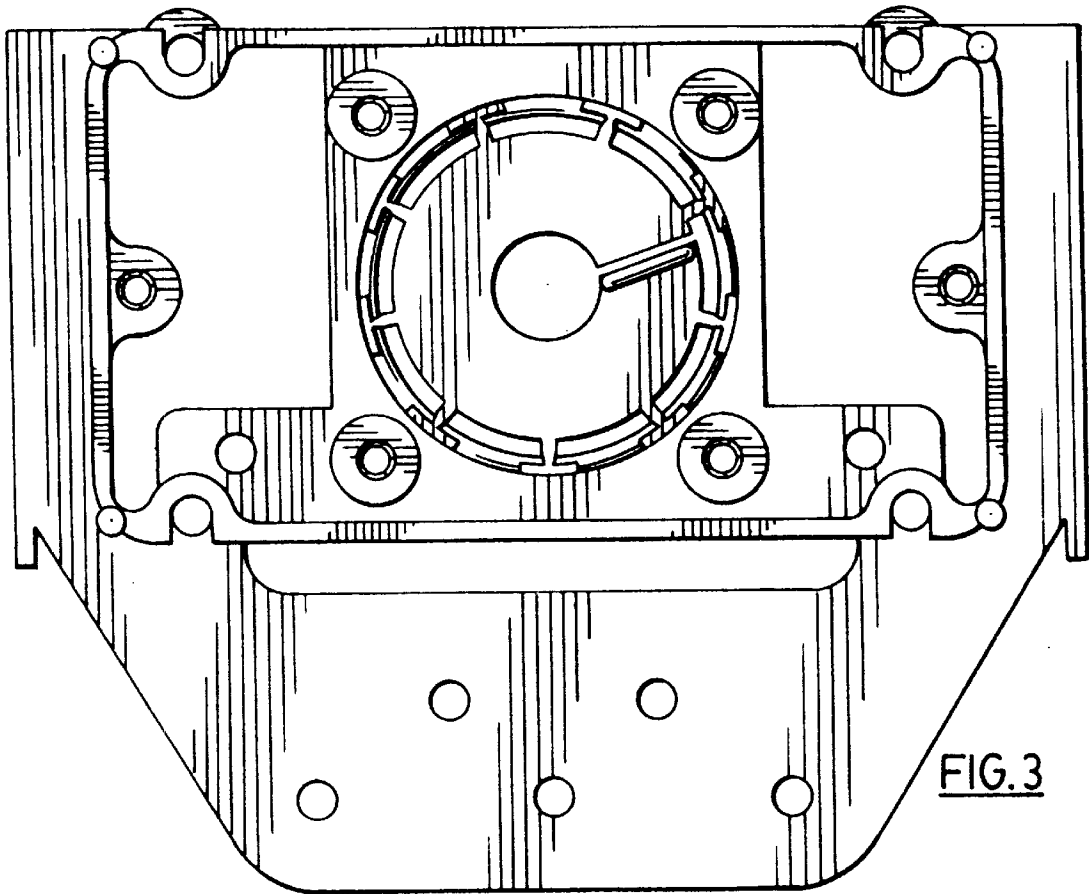


FIG. 2



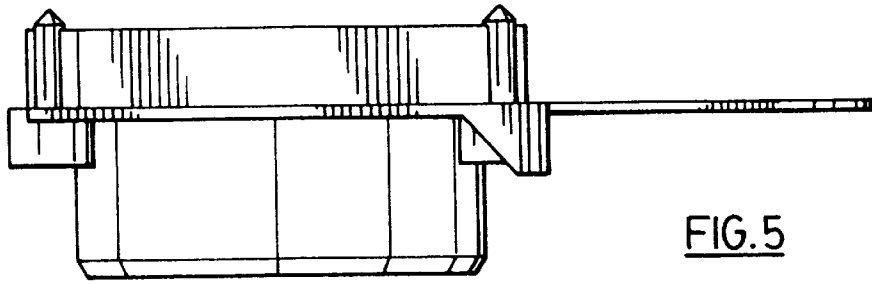


FIG. 5

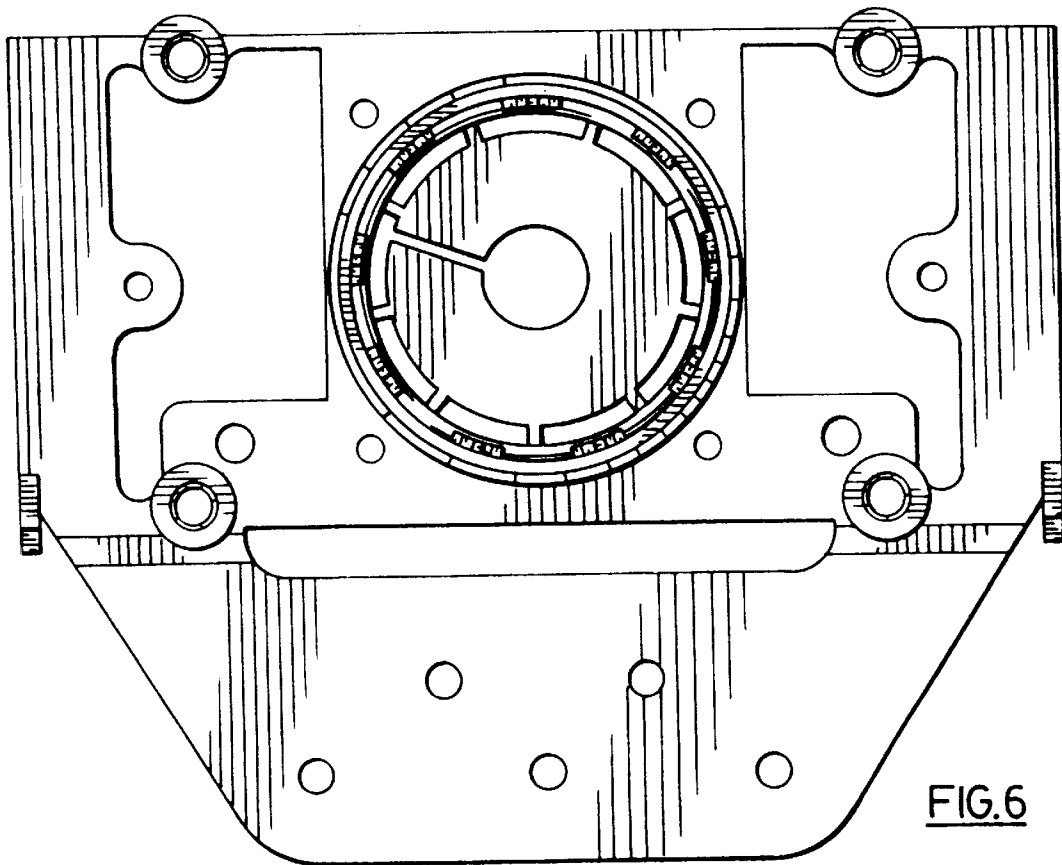


FIG. 6