



US00D774697S

(12) **United States Design Patent** (10) **Patent No.:** **US D774,697 S**
Praster (45) **Date of Patent:** **** Dec. 20, 2016**

(54) **COSMETIC COMPACT**
(71) Applicant: **CORPACK GmbH**, Munich (DE)
(72) Inventor: **Jochen Praster**, Munich (DE)
(73) Assignee: **CORPACK GMBH**, Munich (DE)
(**) Term: **14 Years**
(21) Appl. No.: **29/498,741**

D622,003 S * 8/2010 Naughton D28/82
D631,608 S * 1/2011 Pires D28/82
D709,651 S * 7/2014 Gaito D28/83
D711,250 S * 8/2014 Henriksson D9/504
D712,264 S * 9/2014 Humm D9/449
D718,903 S * 12/2014 Parker D28/82
D722,204 S * 2/2015 Parker D28/82
2008/0295857 A1 * 12/2008 Gatesoupe A45D 33/008
132/295
2009/0308408 A1 * 12/2009 Winckels A45D 33/008
132/295

(22) Filed: **Aug. 7, 2014**
(51) **LOC (10) Cl.** **28-03**
(52) **U.S. Cl.**
USPC **D28/82**
(58) **Field of Classification Search**
USPC D28/78, 82, 83, 81, 77, 79, 84, 76,
D28/64.1, 64.3, 73, 4, 7, 85; D3/275,
D3/901, 205, 274; D9/503-505, 655, 661,
D9/662, 663
CPC A45D 40/00; A45D 40/22; A45D 40/221;
A45D 40/222; A45D 40/24; A45D
2040/223-2040/228; A45D 33/00; A45D
33/03; A45D 33/006; A45D
33/008; A45D 33/22; A45D 42/02; A45D
2040/0012

See application file for complete search history.

(56) **References Cited**

U.S. PATENT DOCUMENTS

2,465,491 A * 3/1949 Storch A45D 40/221
132/307
D420,172 S * 2/2000 Thorpe D28/82
D441,144 S * 4/2001 Vanoncini D28/82
6,772,899 B2 * 8/2004 Delmon A45D 40/221
132/295
D498,678 S * 11/2004 Ames D28/82
D517,735 S * 3/2006 Lai D28/82
D537,985 S * 3/2007 Bakic D28/82
D552,299 S * 10/2007 Kuethe D28/82

OTHER PUBLICATIONS

Kosmetica World blog. "2-piece packaging". Posted Nov. 2, 2015.
Accessed Nov. 4, 2015. (<http://www.kosmetica-world.com/2015/11/02/2-piece-packaging/>).*

* cited by examiner

Primary Examiner — Jennifer Rivard
Assistant Examiner — April Rivas
(74) *Attorney, Agent, or Firm* — Karl F. Milde, Jr.; Eckert
Seamans Cherin & Mellott, LLC

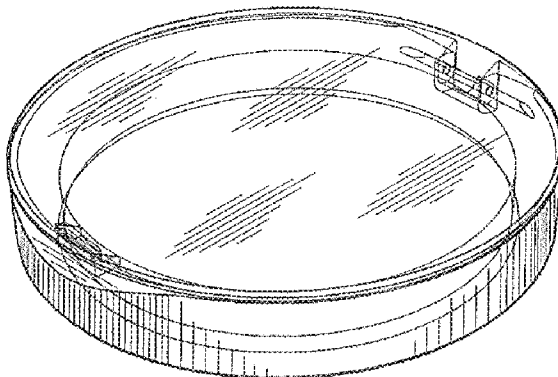
(57) **CLAIM**

The ornamental design for a cosmetic compact, as shown and described.

DESCRIPTION

FIG. 1 is a front and top perspective view of the cosmetic compact, the opposite side being a mirror image thereof.
FIG. 2 is a side view of the cosmetic compact.
FIG. 3 is a side view of the cosmetic compact in an open position.
FIG. 4 is a front and top perspective view of the cosmetic compact in an open position; and,
FIG. 5 is a bottom rear perspective view of the cosmetic compact.

1 Claim, 5 Drawing Sheets



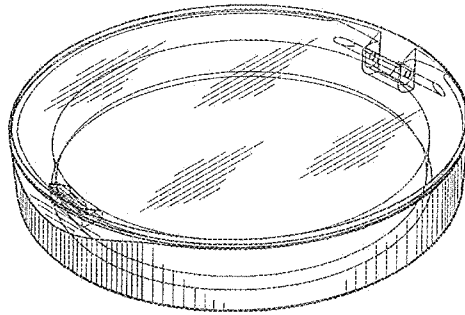


Fig. 1

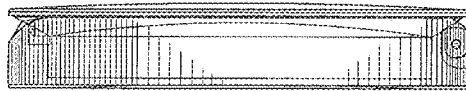


Fig. 2

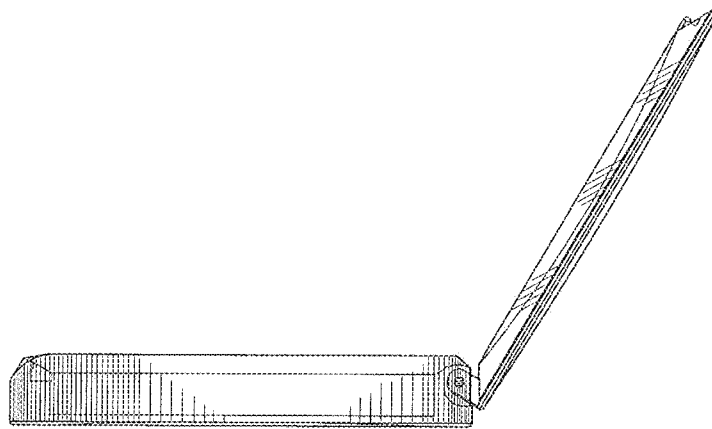


Fig. 3

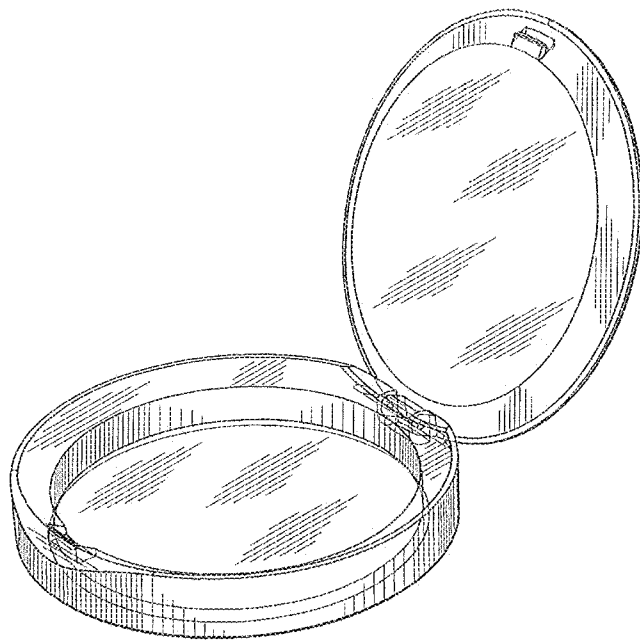


Fig. 4

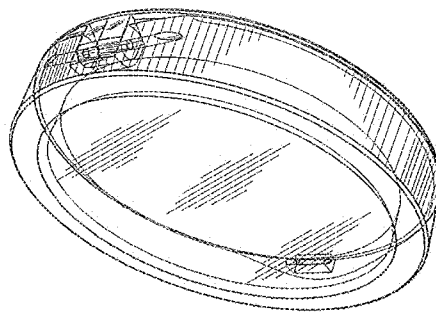


Fig. 5