



US00D867573S

(12) **United States Design Patent**  
**Guthrie**

(10) **Patent No.:** **US D867,573 S**

(45) **Date of Patent:** **\*\* Nov. 19, 2019**

(54) **COMBINATION CEILING FAN LIGHT KIT AND MOTOR HOUSING**

(71) Applicant: **HUNTER FAN COMPANY,**  
Memphis, TN (US)

(72) Inventor: **Benjamin Scotti Guthrie,**  
Germantown, TN (US)

(73) Assignee: **Hunter Fan Company,** Memphis, TN  
(US)

(\*\*) Term: **15 Years**

(21) Appl. No.: **29/664,864**

(22) Filed: **Sep. 28, 2018**

**Related U.S. Application Data**

(60) Continuation of application No. 29/617,539, filed on Sep. 14, 2017, now abandoned, which is a division of application No. 29/557,369, filed on Mar. 8, 2016, now Pat. No. Des. 805,174.

(51) **LOC (12) Cl.** ..... **23-03**

(52) **U.S. Cl.**  
USPC ..... **D23/411; D26/59**

(58) **Field of Classification Search**  
USPC ..... D23/370-385, 411-414; D26/59, 85, 86, D26/89, 90, 88, 110  
CPC ..... F04D 25/088; F04D 29/38; F04D 29/384; F04D 29/386; F21V 33/0096  
See application file for complete search history.

(56) **References Cited**

**U.S. PATENT DOCUMENTS**

|             |        |                 |
|-------------|--------|-----------------|
| 4,073,598 A | 2/1978 | Mizutani et al. |
| D328,951 S  | 8/1992 | Scofield et al. |
| D329,638 S  | 8/1992 | Hsieh           |
| D329,894 S  | 9/1992 | Scofield        |
| 5,151,011 A | 9/1992 | Rezek           |
| D360,939 S  | 8/1995 | Wang            |

|                |         |         |                                |
|----------------|---------|---------|--------------------------------|
| D386,257 S     | 11/1997 | Liu     |                                |
| D389,908 S     | 1/1998  | Dolan   |                                |
| D393,902 S     | 4/1998  | Pickett |                                |
| D396,531 S     | 7/1998  | Lieu    |                                |
| D442,275 S     | 5/2001  | Dolan   |                                |
| 6,382,917 B1 * | 5/2002  | Zuege   | ..... F04D 25/088<br>416/210 R |

|            |        |         |  |
|------------|--------|---------|--|
| D476,408 S | 6/2003 | Hidalgo |  |
| D477,397 S | 7/2003 | Chen    |  |

(Continued)

**OTHER PUBLICATIONS**

<http://ceilingfans.emerson.com/shop/en/fan/fans-s-emerson-fans/emerson-fans-browse-all/atomical-fan-p-cf930>, Emerson Indoor/Outdoor Brushed Steel Ceiling Fan with Light, accessed Aug. 8, 2018.

(Continued)

*Primary Examiner* — Cathron C Brooks

*Assistant Examiner* — Sharon S Oum

(74) *Attorney, Agent, or Firm* — McGarry Bair PC

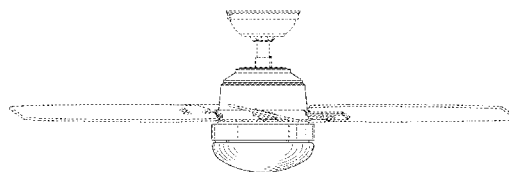
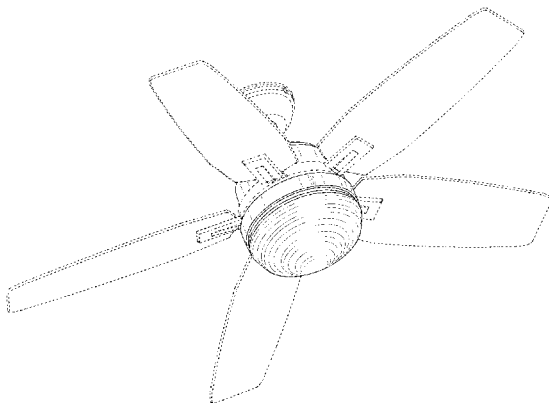
(57) **CLAIM**

The ornamental design for a combination ceiling fan light kit and motor housing, as shown and described.

**DESCRIPTION**

FIG. 1 is a top perspective view of a combination ceiling fan light kit and motor housing showing my new design, shown in the environment of a ceiling fan;  
FIG. 2 is a bottom perspective view thereof;  
FIG. 3 is a top view thereof;  
FIG. 4 is a bottom view thereof; and,  
FIG. 5 is a front side view thereof, with rear, right, and left side views being mirror images thereof.  
The broken lines illustrate environmental structure and portions of the combination ceiling fan light kit and motor housing. None of the broken lines form part of the claimed design.

**1 Claim, 5 Drawing Sheets**



(56)

References Cited

U.S. PATENT DOCUMENTS

|          |     |         |                  |               |
|----------|-----|---------|------------------|---------------|
| D478,980 | S   | 8/2003  | Hidalgo          |               |
| D512,139 | S   | 11/2005 | Hidalgo          |               |
| D514,216 | S   | 1/2006  | Hidalgo          |               |
| D535,051 | S   | 1/2007  | Stauffer         |               |
| D535,738 | S   | 1/2007  | Pan              |               |
| D536,085 | S   | 1/2007  | Clymer           |               |
| D545,422 | S * | 6/2007  | Glasbrenner      | ..... D23/377 |
| D551,753 | S   | 9/2007  | Ertze            |               |
| D621,024 | S   | 8/2010  | Orozco           |               |
| D627,873 | S   | 11/2010 | Pan              |               |
| D627,907 | S   | 11/2010 | Pan              |               |
| D632,381 | S   | 2/2011  | Davenport et al. |               |
| D705,922 | S   | 5/2014  | Wang             |               |
| D707,336 | S   | 6/2014  | Pan              |               |
| D743,528 | S   | 11/2015 | Wang             |               |
| D744,629 | S   | 12/2015 | Wang             |               |
| D745,960 | S   | 12/2015 | Pickett          |               |
| D805,174 | S * | 12/2017 | Guthrie          | ..... D23/377 |
| D825,052 | S * | 8/2018  | Guthrie          | ..... D23/411 |
| D827,123 | S * | 8/2018  | Guthrie          | ..... D23/411 |
| D834,734 | S * | 11/2018 | Guthrie          | ..... D26/59  |
| D844,769 | S * | 4/2019  | McRoberts        | ..... D23/411 |

OTHER PUBLICATIONS

<https://www.menards.com/main/lighting-ceiling-fans/ceiling-fans/shop-all-ceiling-fans/turn-of-the-century-savion-52in-new-bronze-ceiling-fan/p-1444438%E2%80%A6>, Turn of the Century Savion 52" New Bronze Ceiling Fan, Model No. fn7027nz, accessed Aug. 8, 2018.

<http://www.kichler.com/products/product/56-ellys-ceiling-fan-ni-300239ni.aspx>, Kichler Ellys Collection 56" Ceilig Fan NI, Model No. 300239NI, accessed Aug. 8, 2017.

<http://www.homedepot.com/p/Home-Decorators-Collection-Carrington-60-in-Natural-Iron-Ceiling-Fan-YG419-NI/205710656>, Hampton Bay Carrington 60 in. Natural Iron Ceiling Fan, Model No. YG419-NI, accessed Aug. 8, 2017.

<https://goodpriceappliances.com/products/kichler-lighting-300181oz-52-inch-lacey-ceiling-fan-olde-bronze-by-kichler-lighting>, Kichler Lacey Ceiling Fan, 52 in. Olde Bronze, Product No. 300181OZ, accessed Aug. 8, 2017.

<http://www.hunterfan.com/Ceiling-Fans/Eurus?ModelNumber=59054>, Hunter Fan Eurus, 54" Ceiling Fan, Model No. 59054 Brushed Nickel Finish, accessed Aug. 8, 2017.

<http://www.homedepot.com/p/Hampton-Bay-Northport-52-in-Brushed-Nickel-Ceiling-Fan-14926/202790687>, Hampton Bay Northport 52 in. Brushed Nickel Ceiling Fan, Model No. 14926, accessed Aug. 8, 2017.

<http://www.quoruminternational.com/index.cfm/app/productDetail?product=81725-65>, Quorum International Ceiling Fan, Vector Satin Nickel, Product No. 81725-65, accessed Aug. 8, 2017.

<http://www.montecarlofans.com/37636/56-Turbine---Black-8TNR56BKD>, Monte Carlo Turbine Collection, 56" Ceiling Fan, Products No. 8TNR56BKD, accessed Aug. 8, 2017.

<http://www.kichler.com/products/product/52-inch-leeds-fan-ap-300427ap.aspx>, Kichler Leeds Collection, 52 in. Ceiling Fan, Antique Pewter, Model No. 300427AP, accessed Aug. 8, 2017.

<http://www.fanimation.com/products/index.php/fans/benito.html>, Fanimation Benito Ceiling Fan, Model No. FP8003, accessed Aug. 8, 2017.

<http://www.kichler.com/products/product/60-terra-select-ceiling-fan-bap-330250bap.aspx>, Kichler Serra Select Collection, Product No. 330250BAP, accessed Aug. 8, 2017.

<http://www.craftmade.com/pulsar-pu52ss5>, Craftmade Pulsar, 52" Ceiling Fan with Blades and Light, Product No. PU52SS5, accessed Aug. 8, 2017.

<http://www.kingoffans.com/#/products/ceilingFans>, King of Fans Carousel III Ceiling Fan, SKU No. 665-862, Model No. 46750, accessed Aug. 8, 2017.

<http://www.craftmade.com/montreal-mn44ss4>, Craftmade Montreal 44" Ceiling Fan with Blades and Light, Model No. MN44SS4, accessed Aug. 8, 2017.

<http://www.homedepot.com/p/Hampton-Bay-Sussex-II-52-in-Brushed-Nickel-Ceiling-Fan-AL694-BN/203244867>, Hampton Bay Sussex II 52" in. Brushed Nickel Ceiling Fan, Model No. AL694-BN, accessed Aug. 8, 2017.

<http://www.kingoffans.com/#/products/ceilingFans>, King of Fan Midili Ceiling Fan SKU No. 903-913, Model No. 68044, accessed Aug. 8, 2017.

Hunter 59243 Dempsey Low Profile With Light Brushed Nickel Ceiling Fan With Light & Remote, date first available Feb. 29, 2016, amazon.com, site visited Jul. 14, 2017, Copyright © 1996-2017, Available from Internet, [https://www.amazon.com/Hunter-59243-Dempsey-Profile-Fan/dp/B01CDG05NK/ref=sr\\_1\\_2?ie=UTF8&qid=1498059323&sr=8-2&keywords=hunter+dempsey](https://www.amazon.com/Hunter-59243-Dempsey-Profile-Fan/dp/B01CDG05NK/ref=sr_1_2?ie=UTF8&qid=1498059323&sr=8-2&keywords=hunter+dempsey).

Casablanca 59022 Isotope 52-Inch 5-Blade Single Light Ceiling Fan, date first available Apr. 24, 2009, amazon.com, site visited Jul. 14, 2017, Copyright © 1996-2017, Available from Internet, [https://www.amazon.com/Casablanca-59022-Isotope-52-Inch-Espresso/dp/B0050VY2M2/ref=sr\\_1\\_2?ie=UTF8&qid=1500045128&sr=8-2&keywords=casablanca+fan+isotope](https://www.amazon.com/Casablanca-59022-Isotope-52-Inch-Espresso/dp/B0050VY2M2/ref=sr_1_2?ie=UTF8&qid=1500045128&sr=8-2&keywords=casablanca+fan+isotope).

Fanimation FP6728DZ Xena, date first available Sep. 26, 2015, amazon.com, site visited Jul. 14, 2017, Copyright © 1996-2017, Available from Internet, [https://www.amazon.com/Fanimation-FP6728DZ-Xeno-Blades-Bronze/dp/B015UH37L6/ref=sr\\_1\\_1?ie=UTF8&qid=1500045614&sr=8-1&keywords=fanimation+xeno](https://www.amazon.com/Fanimation-FP6728DZ-Xeno-Blades-Bronze/dp/B015UH37L6/ref=sr_1_1?ie=UTF8&qid=1500045614&sr=8-1&keywords=fanimation+xeno).

\* cited by examiner

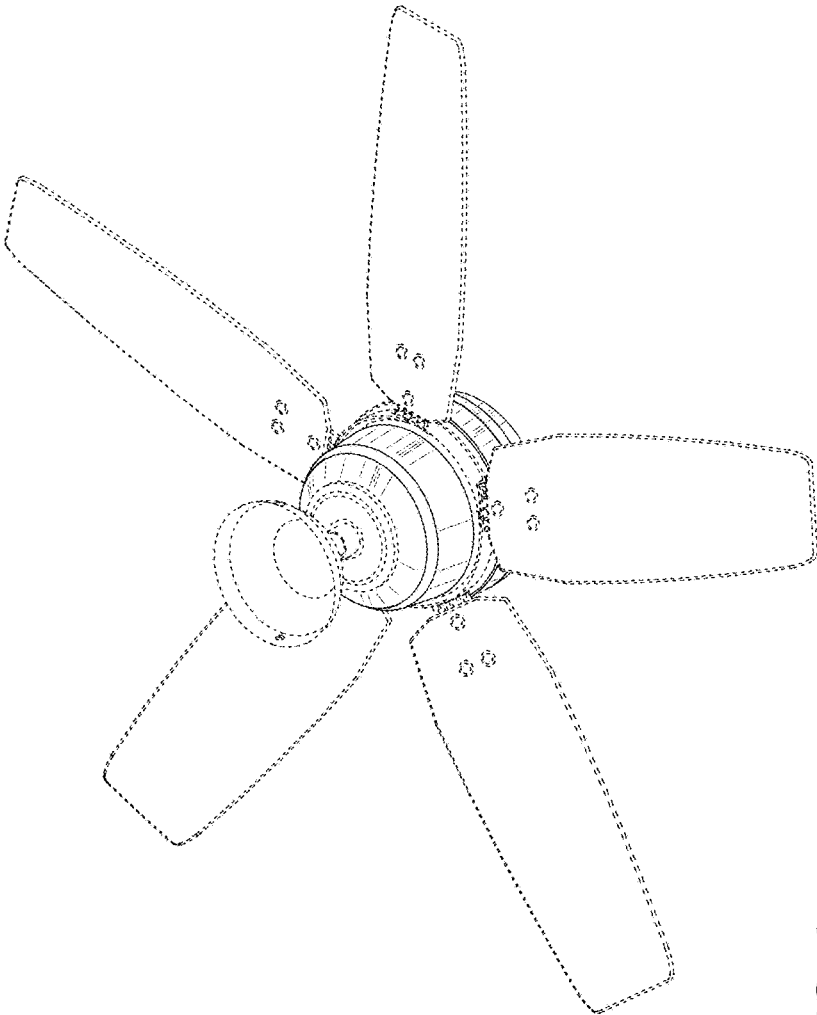


FIG. 1

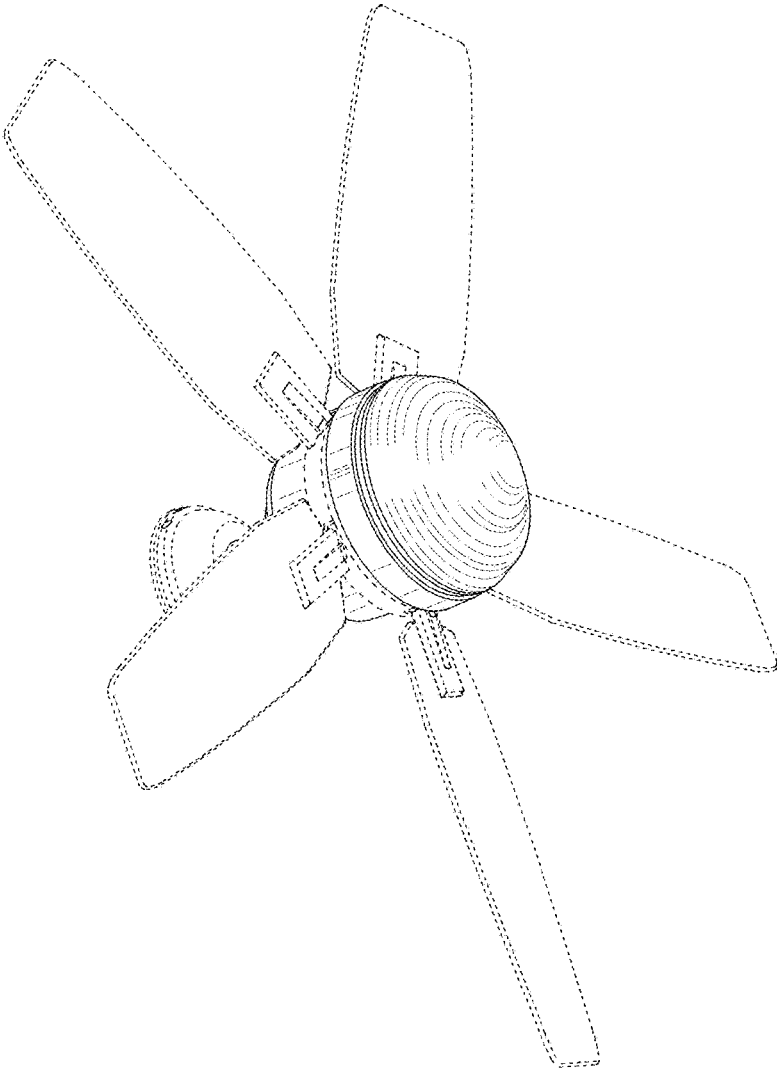


FIG. 2

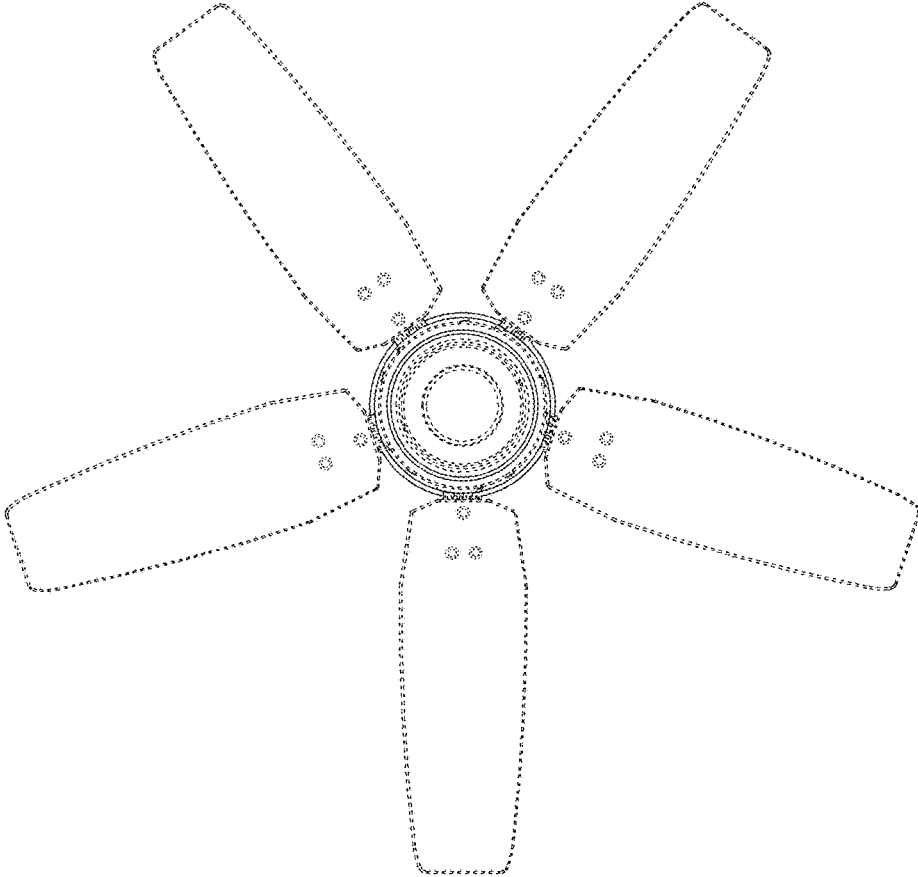


FIG. 3

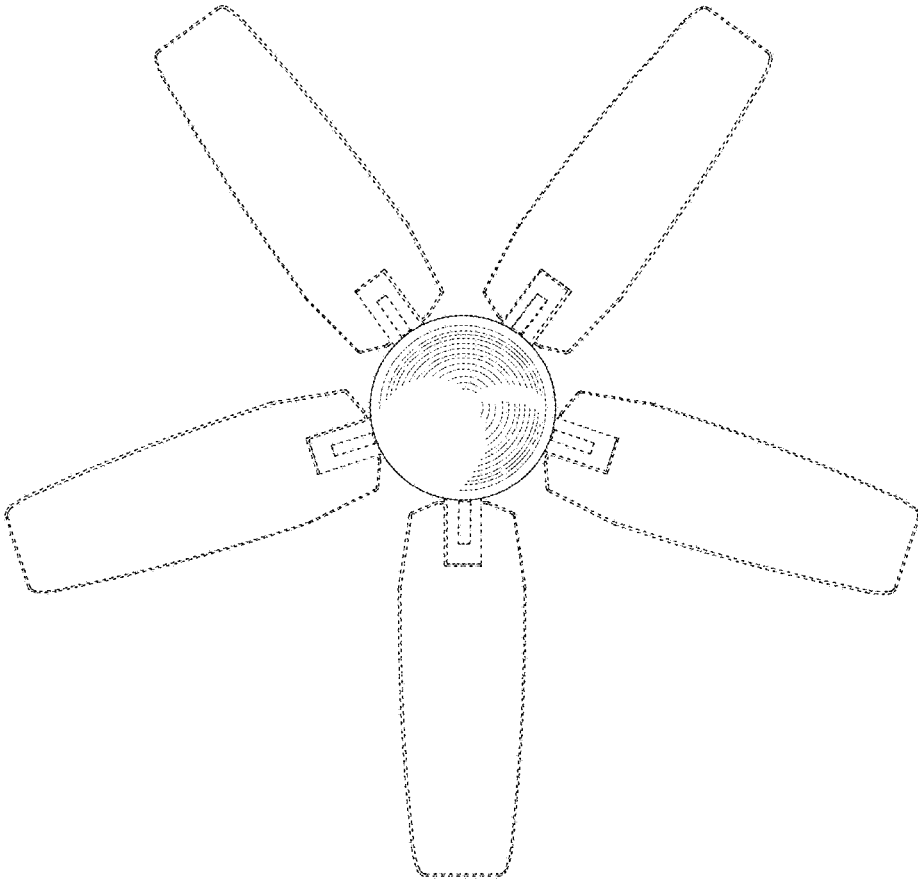


FIG. 4

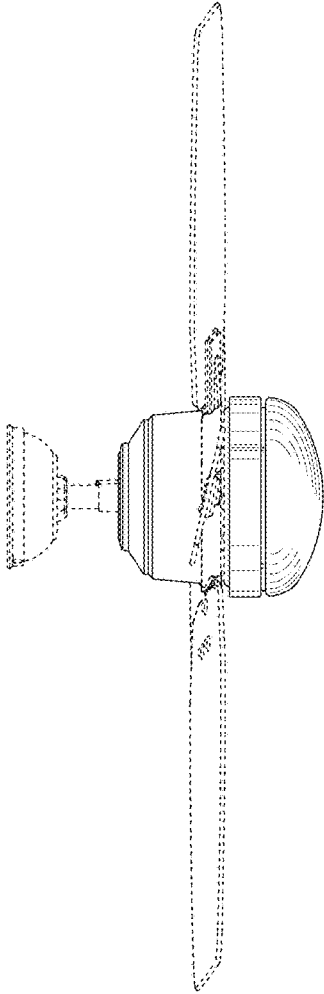


FIG. 5