



US00D980349S

(12) **United States Design Patent**  
**Petek**

(10) **Patent No.:** **US D980,349 S**  
(45) **Date of Patent:** **\*\* Mar. 7, 2023**

(54) **DUMBBELL**

(71) Applicant: **Richard C. Petek**, Medina, OH (US)

(72) Inventor: **Richard C. Petek**, Medina, OH (US)

(\*\*) Term: **15 Years**

(21) Appl. No.: **29/746,149**

(22) Filed: **Aug. 12, 2020**

(51) **LOC (14) Cl.** ..... **21-02**

(52) **U.S. Cl.**  
USPC ..... **D21/682**

(58) **Field of Classification Search**

USPC ..... D6/552; D21/662, 667-682, 684, 685,  
D21/686, 692, 694  
CPC ..... A63B 2220/12; A63B 21/062; A63B  
2220/13; A63B 69/3632; A63B 21/075;  
A63B 21/063; A63B 21/0628; A63B  
21/0724

See application file for complete search history.

(56) **References Cited**

**U.S. PATENT DOCUMENTS**

D405,484	S	*	2/1999	Rojas	.....	D21/682
D444,516	S	*	7/2001	Pearson	.....	D21/682
D465,151	S	*	11/2002	Mixon	.....	B65D 1/0223 D9/500
D496,414	S	*	9/2004	Harms	.....	D21/681
D596,492	S	*	7/2009	Safdieh	.....	D21/682
D628,248	S	*	11/2010	Januszek	.....	D21/681
D628,250	S	*	11/2010	Januszek	.....	D21/681
D628,661	S	*	12/2010	Januszek	.....	D21/681
D685,442	S	*	7/2013	Childs	.....	D21/681
D735,278	S	*	7/2015	Davies, III	.....	D21/681
D740,379	S	*	10/2015	Lien	.....	D21/681
D920,449	S	*	5/2021	Wang	.....	D21/681
D936,762	S	*	11/2021	Ye	.....	D21/680

**FOREIGN PATENT DOCUMENTS**

CN 307140277 \* 3/2022

**OTHER PUBLICATIONS**

VIGBODY Dumbbell Weights Barbell, first available Nov. 10, 2020, amazon.com [online], site visited [Apr. 15, 2022], Available from internet URL: https://amzn.to/38V4sNL (Year: 2020).  
\*  
“Relife Rebuild Your Life Dumbbell” May 8, 2020, Amazon, site visited Oct. 17, 2022: https://amzn.to/3T5oyHc (Year: 2020).  
\*  
“Grips,” Ergon Bike Ergonomics [online], [retrieved on Aug. 31, 2020]. Retrieved from the internet: <URL: https://ergonbike.shop/collections/grips/comfort-touring?gclid=EAIaIQobChMIvaHB\_pv16gIVEdvACh2N1gLLAAAYASAAEgKjovD\_BwE>.  
\*  
“Contour XC Grips,” Specialized.com [online], [retrieved on Aug. 31, 2020], Retrieved from the internet: <URL: https://www.specialized.com/us/en/contour-xc-grips/p/155398?color=236577-155398&searchText=25519-1100&gclid=EAIaIQobChMltdXpop316glV-UNbACh3waAzfEAQYASABEgKIU\_D\_BwE>.  
\*  
“Ergonomics the fit,” SQ lab Sports Ergonomics [online], [retrieved on Aug. 31, 2020], Retrieved from the internet: <URL: https://sqlab-USA.com/pages/hand-grips-ergonomics>.  
\*  
“Bontrager Satellite Elite Grip Set,” TREK Electra [online], [retrieved on Sep. 1, 2020], Retrieved from the internet: <URL: https://www.trekbikes.com/us/en\_US/equipment/cycling-components/bike-handlebar-grips-tape/bike-handlebar-grips/bontrager-satellite-elite-grip-set/p/21901/?colorCode=black>.

\* cited by examiner

*Primary Examiner* — Jennifer L Rempfer

*Assistant Examiner* — Salamah Jordan

(74) *Attorney, Agent, or Firm* — Tucker Ellis LLP

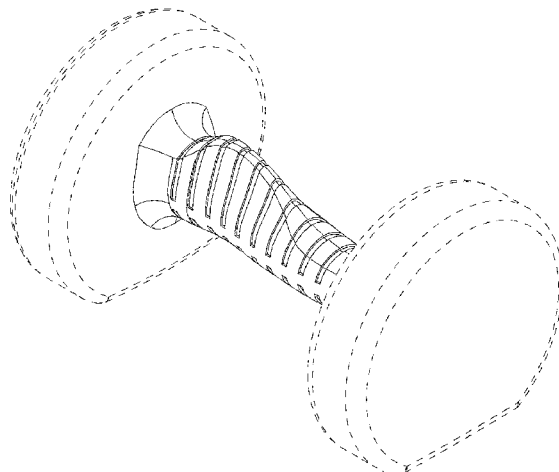
(57) **CLAIM**

The ornamental design for a dumbbell, as shown and described.

**DESCRIPTION**

FIG. 1 is a perspective view of a dumbbell showing my new design;  
FIG. 2 is a front view thereof;  
FIG. 3 is a rear view thereof;  
FIG. 4 is a top view thereof;  
FIG. 5 is a bottom view thereof;  
FIG. 6 is a left side view thereof; and,  
FIG. 7 is a right side view thereof.  
The broken lines show portions of the design that form no part of the claimed design.

**1 Claim, 4 Drawing Sheets**



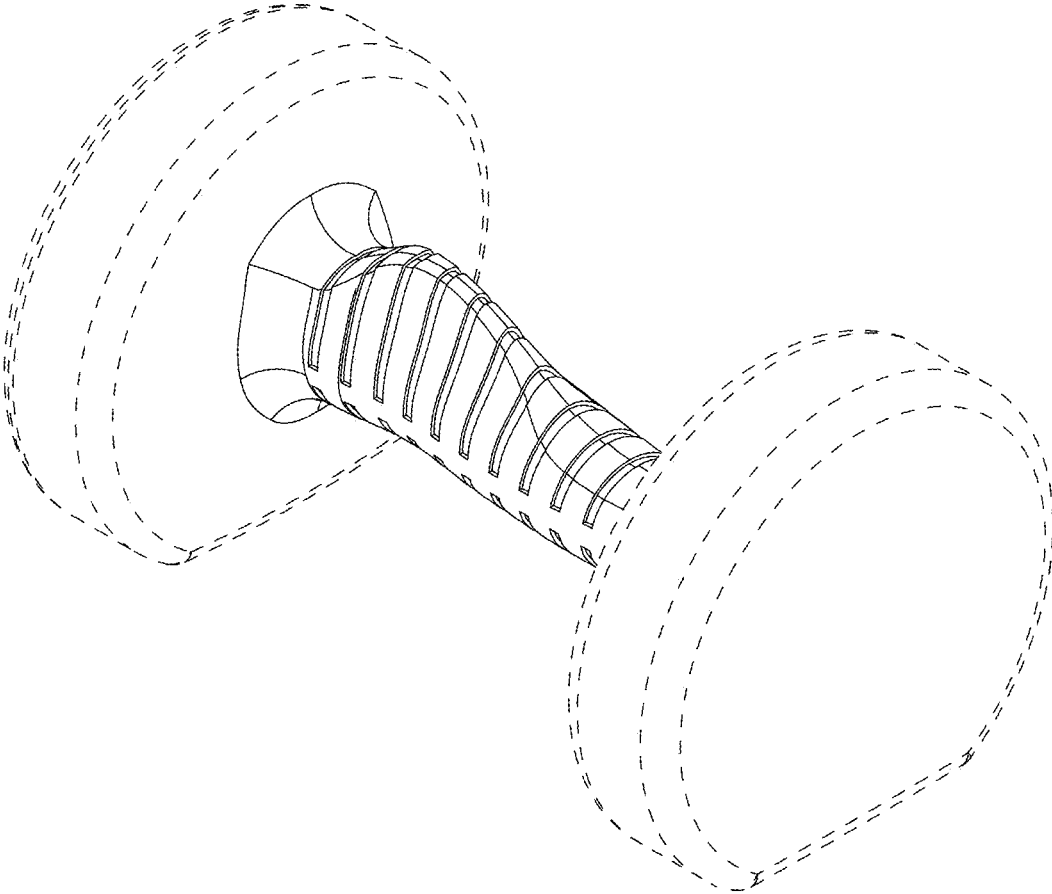


FIG. 1

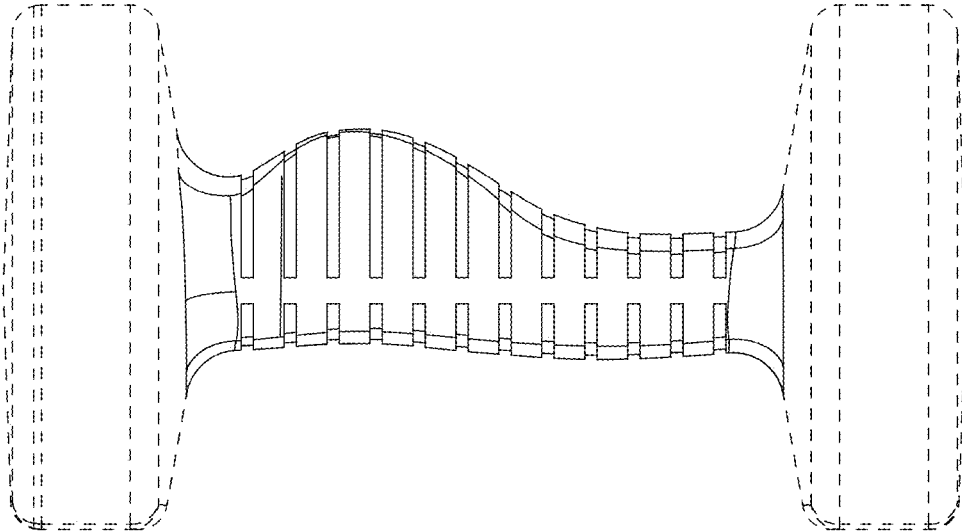


FIG. 2

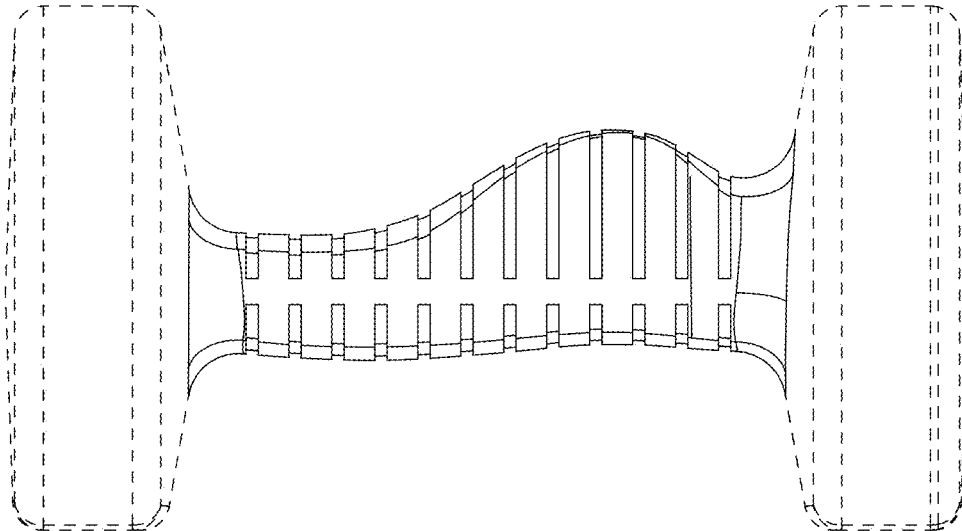


FIG. 3

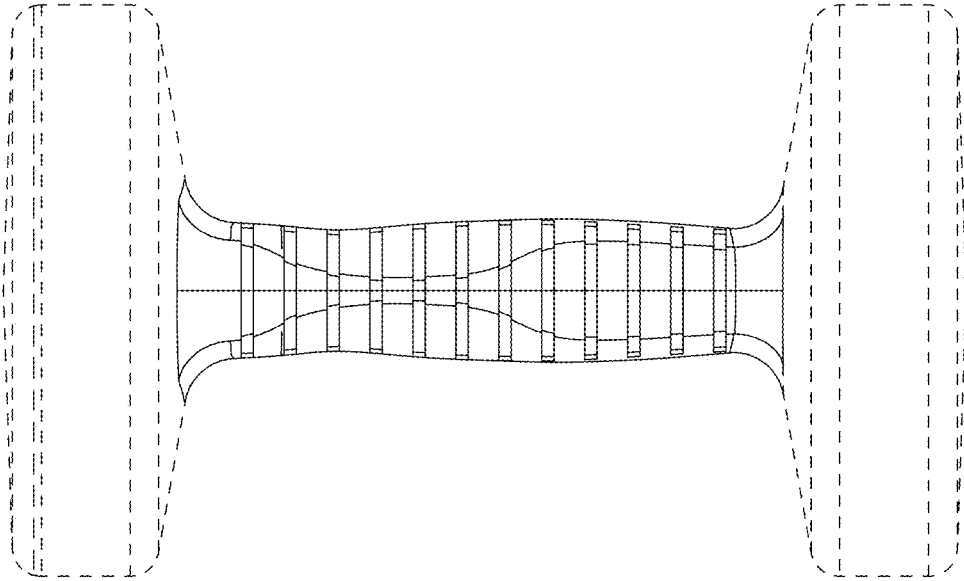


FIG. 4

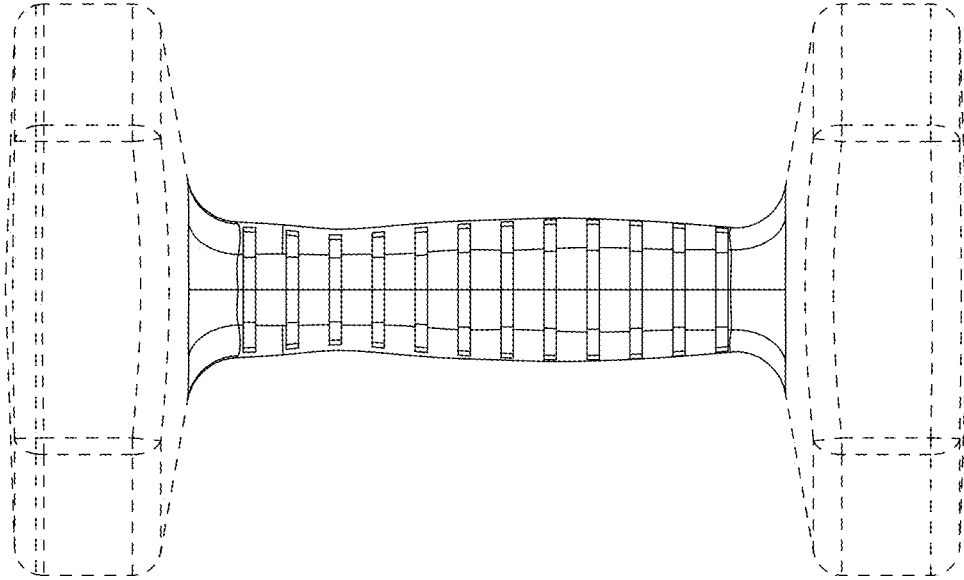


FIG. 5

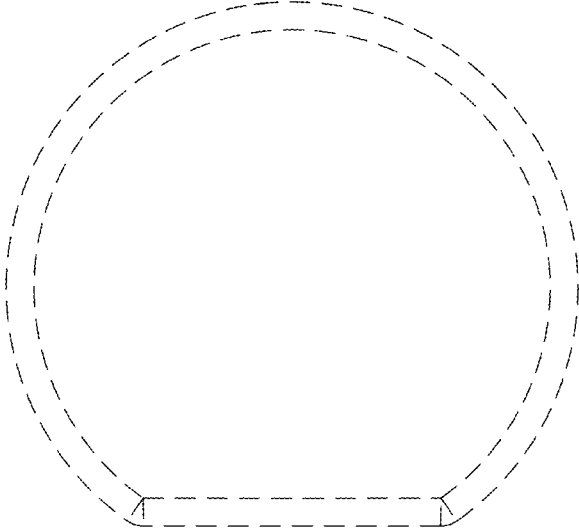


FIG. 6

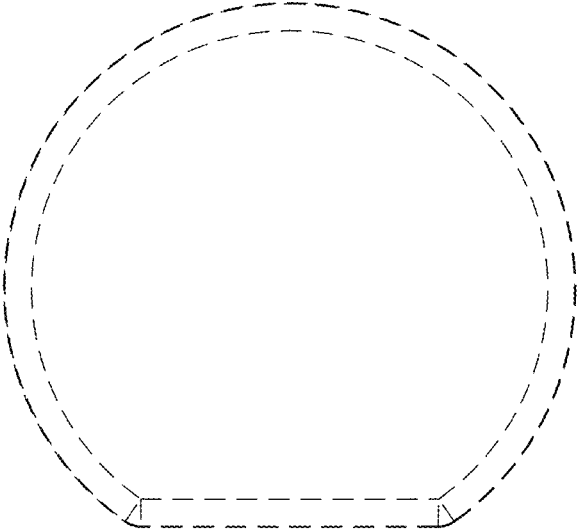


FIG. 7