



US0D1012615S

(12) **United States Design Patent**
Yang

(10) **Patent No.:** **US D1,012,615 S**

(45) **Date of Patent:** **** Jan. 30, 2024**

(54) **ALL IN ONE TODDLER CUP WITH SNACK CONTAINER, STRAW AND HANDLE**

4,247,016 A * 1/1981 Shaw B65D 77/28
220/709

4,948,009 A * 8/1990 Sawatani A23F 5/243
220/254.1

5,025,947 A * 6/1991 Leone B65D 47/36
220/709

(71) Applicant: **Li Yang**, Jinhua (CN)

(72) Inventor: **Li Yang**, Jinhua (CN)

(Continued)

(**) Term: **15 Years**

FOREIGN PATENT DOCUMENTS

(21) Appl. No.: **29/822,254**

CA 172443 * 2/2018
CN 304290698 * 9/2017

(22) Filed: **Jan. 7, 2022**

(Continued)

(51) **LOC (14) Cl.** **07-01**

(52) **U.S. Cl.**
USPC **D7/507; D7/510; D7/532**

OTHER PUBLICATIONS

(58) **Field of Classification Search**

Homestockplus Cup, Nov. 29, 2021, [https://www.amazon.com/4%
E3%80%91Unbreakable-Tumblers-Reusable-Drinking-Silicone/dp/
B09MQJ5B52](https://www.amazon.com/4%E3%80%91Unbreakable-Tumblers-Reusable-Drinking-Silicone/dp/B09MQJ5B52) (Year: 2021).*

(Continued)

USPC D3/202; D7/300, 300.1, 392, 392.1, 393,
D7/394, 396.1, 396.2, 507, 509, 510, 511,
D7/513, 523, 529, 532, 533, 534, 591,
D7/608, 900, 300.2, 202, 392.2; D8/394;
D9/415, 438, 440, 442, 443, 447, 449,
D9/516, 517, 525, 545, 546, 550, 554,
D9/556, 563, 445, 434-436, 500-504,
D9/538, 435; D19/20; D20/18, 19, 22;
D24/197; 40/310, 324; 220/200, 210,
220/212.5, 288, 523, 709, 711, 717, 703,
220/710.5; 222/11.1, 11.4, 11.5, 480,
222/507, 546, 548, 553; D40/310, 324;
215/11.1, 11.4, 11.5, 12.1
CPC A61J 2205/20; A61J 2200/72; A61J 9/02;
A61J 9/08; B65D 23/02; B65D 39/0052;
B65D 39/0082; B65D 39/0076; B65D
39/007; B65D 43/0277; B65D 43/0279;
B65D 43/0285; B65D 43/12; B65D
23/06; B67D 1/16

See application file for complete search history.

Primary Examiner — Brett Miller
Assistant Examiner — Nader Abadir

(57) **CLAIM**

The ornamental design for an all in one toddler cup with snack container, straw and handle, substantially as shown and described.

DESCRIPTION

FIG. 1 is a front perspective view of an all in one toddler cup with snack container, straw and handle, showing my new design;

FIG. 2 is a front view thereof;

FIG. 3 is a rear view thereof;

FIG. 4 is a left side view thereof;

FIG. 5 is a right side view thereof;

FIG. 6 is a top view thereof; and,

FIG. 7 is a bottom view thereof.

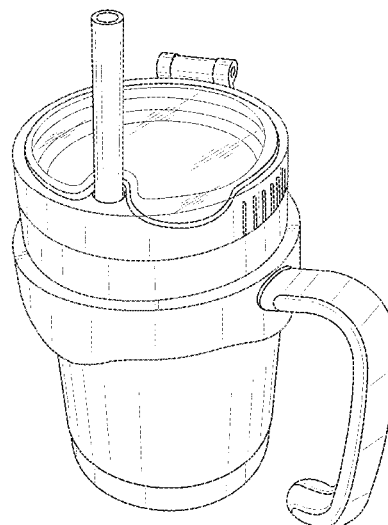
(56) **References Cited**

U.S. PATENT DOCUMENTS

3,240,415 A * 3/1966 Pugh B65D 77/283
229/125.25

3,406,868 A * 10/1968 Rogers A47G 19/2266
220/710

1 Claim, 7 Drawing Sheets



(56)

References Cited

U.S. PATENT DOCUMENTS

5,361,934 A * 11/1994 Spence, Jr. B65D 47/2043
220/709
5,423,476 A * 6/1995 Ferrer B65D 3/06
229/404
D360,337 S * 7/1995 Ward, Jr. D7/515
D360,558 S * 7/1995 Appleman D7/509
5,477,978 A * 12/1995 Lo B65D 77/283
206/217
D408,220 S * 4/1999 Chomik D7/510
6,116,458 A * 9/2000 Dark B65D 77/283
220/709
6,142,335 A * 11/2000 Query, Jr. A47G 19/2272
220/709
6,394,302 B1 * 5/2002 Query, Jr. A47G 19/2272
220/709
D475,890 S * 6/2003 Mazonkey D7/532
D547,120 S * 7/2007 Brenner D7/507
D579,721 S * 11/2008 Qian D7/507
7,516,862 B2 * 4/2009 McDonough A47G 19/2266
215/229
D608,147 S * 1/2010 Sykes D7/507
D614,446 S * 4/2010 King D7/532
D666,874 S * 9/2012 Sakulsacha D7/510
8,336,724 B2 * 12/2012 Yamashita A47G 19/2266
220/254.1
D675,480 S * 2/2013 Thomas D7/507
8,376,165 B2 * 2/2013 Chiang B65D 51/1644
220/360
8,376,173 B2 * 2/2013 Britto B65D 47/066
206/217
D683,189 S * 5/2013 Thomas D7/510
D713,687 S * 9/2014 Lv D7/510
D714,587 S * 10/2014 Lipson D7/507
D730,697 S * 6/2015 Johnson D7/533
D781,640 S * 3/2017 Roth D7/392.1
D784,082 S * 4/2017 Yao D7/507
D786,618 S * 5/2017 Parker D7/507
D872,531 S * 1/2020 Roberts D7/507
D877,550 S * 3/2020 Michaels D7/300.2
D891,865 S * 8/2020 Han D7/532
2005/0029271 A1 * 2/2005 McDonough A47G 19/2266
220/705
2007/0170188 A1 * 7/2007 Guillaume A47G 19/2266
220/710
2008/0314914 A1 * 12/2008 Hacsí A47G 19/2227
220/711
2011/0284538 A1 * 11/2011 Valderrama A47G 19/2272
220/212.5
2012/0205389 A1 * 8/2012 Beary A47G 19/2222
220/710

2014/0069944 A1 * 3/2014 Shapiro A61J 9/006
220/709
2016/0309930 A1 * 10/2016 Stewart A45F 3/20
2017/0027354 A1 * 2/2017 Lipson A47G 21/18
2017/0340148 A1 * 11/2017 Chen A47G 21/18
2019/0218011 A1 * 7/2019 Wang A47G 19/2266
2020/0024039 A1 * 1/2020 Chou B65D 43/0212
2020/0128982 A1 * 4/2020 Tseng B65D 77/286
2020/0337482 A1 * 10/2020 Colby A47G 19/2272
2021/0078759 A1 * 3/2021 Barnes B31B 50/62
2021/0219755 A1 * 7/2021 Chen B65D 43/0212
2021/0244215 A1 * 8/2021 Pritchett A47G 19/2272
2022/0002039 A1 * 1/2022 Chou A47G 19/2272

FOREIGN PATENT DOCUMENTS

CN 304418925 * 12/2017
CN 304424653 * 12/2017
CN 306947786 * 11/2021
CN 306960666 * 11/2021
CN 306970221 * 11/2021
CN 307008686 * 12/2021
CN 307047672 * 1/2022
GB 2071589 * 6/1998
WO D100941-003 * 5/2018

OTHER PUBLICATIONS

Tibblue Cup, Jun. 28, 2021, <https://www.amazon.com/Kids-Toddler-Cup-Stainless-Insulated/dp/B0983D52G2> (Year: 2021).*

Housavvy Cup, Jun. 13, 2018, <https://www.amazon.com/Smoothie-Insulated-Stainless-Silicone-Stackable/dp/B07234B39B/> (Year: 2018).*

Tweevo Kids Tumbler, Nov. 22, 2021, <https://www.amazon.com/Tweevo-Kids-Tumblers-Spill-Proof-Screw/dp/B09MDNTZ3D> (Year: 2021).*

Rommeka Toddler Cup, Aug. 18, 2020, <https://www.amazon.com/Rommeka-Stainless-Children-Smoothie-Drinking/dp/B08G4WC48S> (Year: 2020).*

Elk and Friends Cup, Aug. 15, 2019, <https://www.amazon.com/Elk-Friends-Stainless-Silicone-Smoothie/dp/B087P7L2F4> (Year: 2019).*

Housavvy Cup, Jul. 13, 2017, <https://www.amazon.com/Smoothie-Insulated-Stainless-Silicone-Stackable/dp/B07234B39B> (Year: 2017).*

Contigo Cup, Feb. 6, 2020, <https://www.amazon.com/Contigo-Spill-Proof-Tumbler-straw-Honeydew/dp/B084KHZY9P> (Year: 2020).*

Tabor Place Cup, Feb. 23, 2020, <https://www.amazon.com/Set-Toddlers-Spill-Proof-Silicone-Removable/dp/B0852RGPL4/> (Year: 2020).*

Rolling Sands Cup, May 14, 2021, <https://www.amazon.com/Rolling-Sands-Reusable-Dishwasher-Translucent/dp/B094YPYFSP> (Year: 2021).*

* cited by examiner

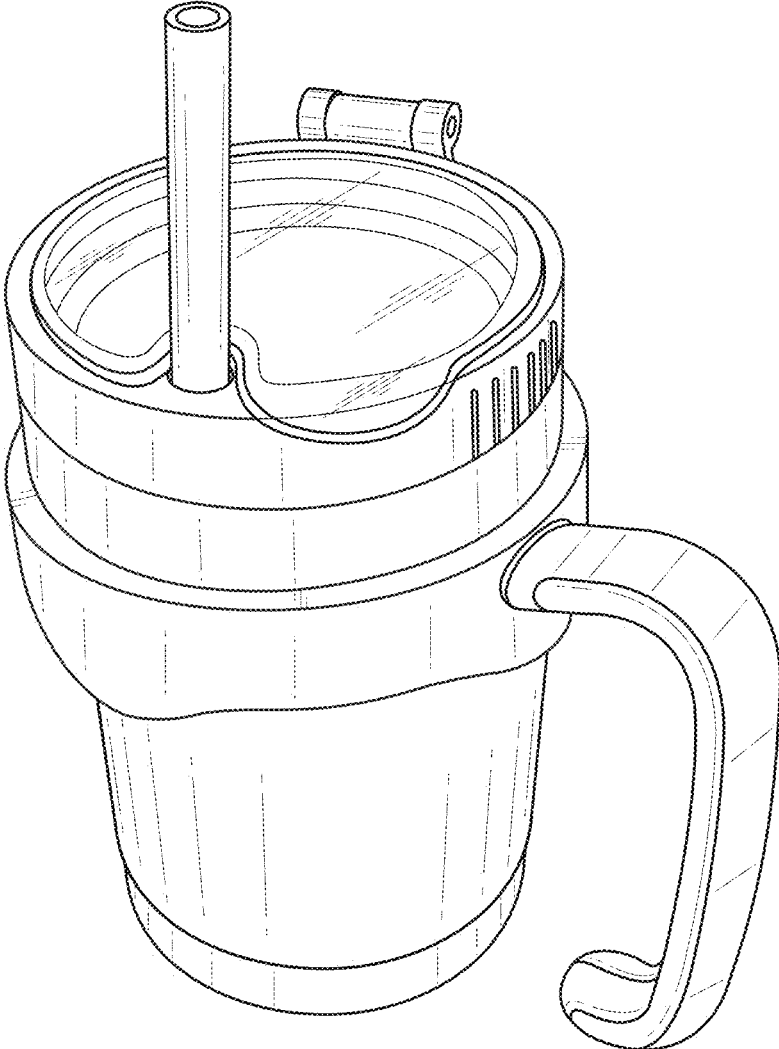


FIG. 1

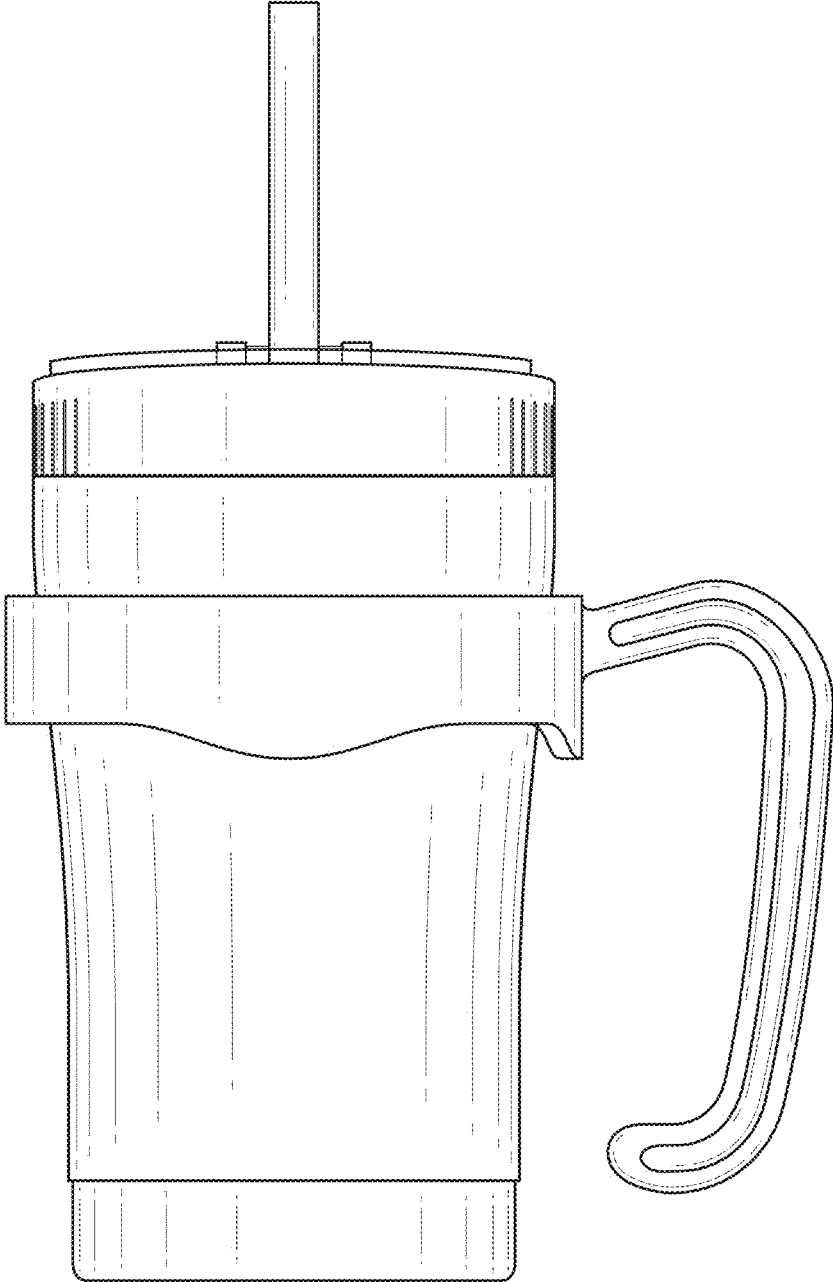


FIG. 2

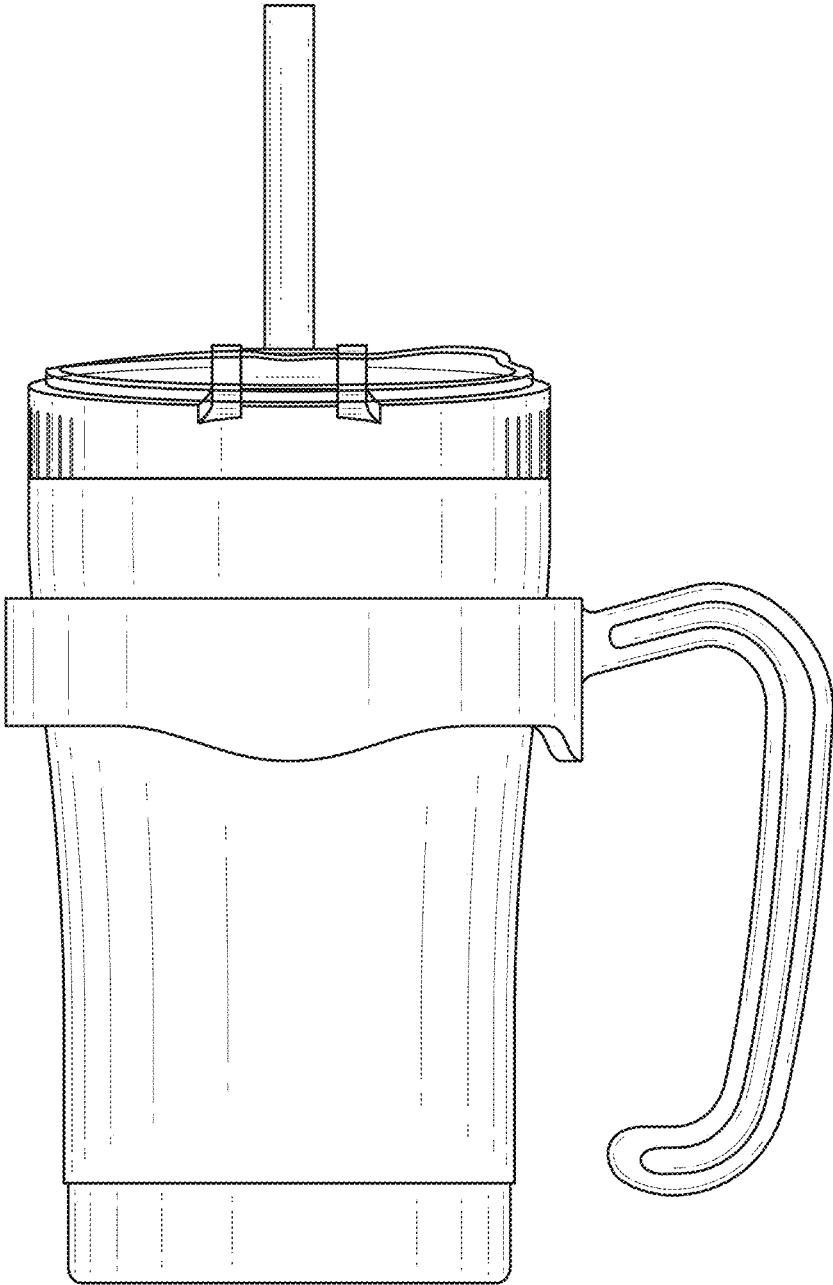


FIG. 3

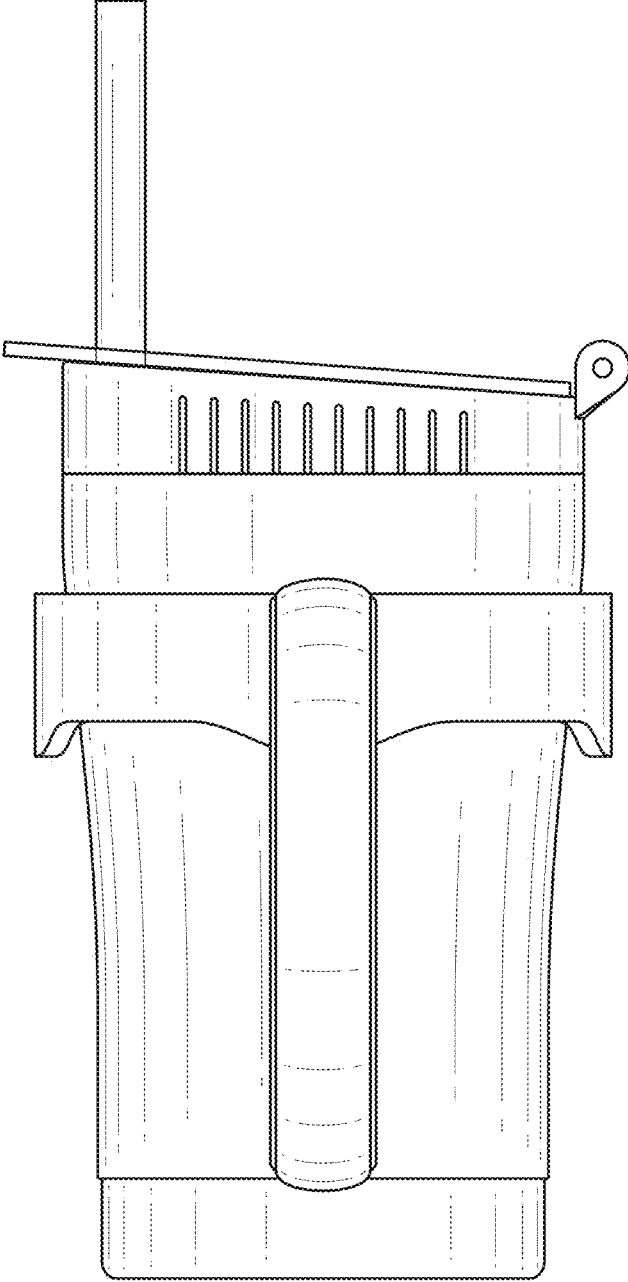


FIG. 4

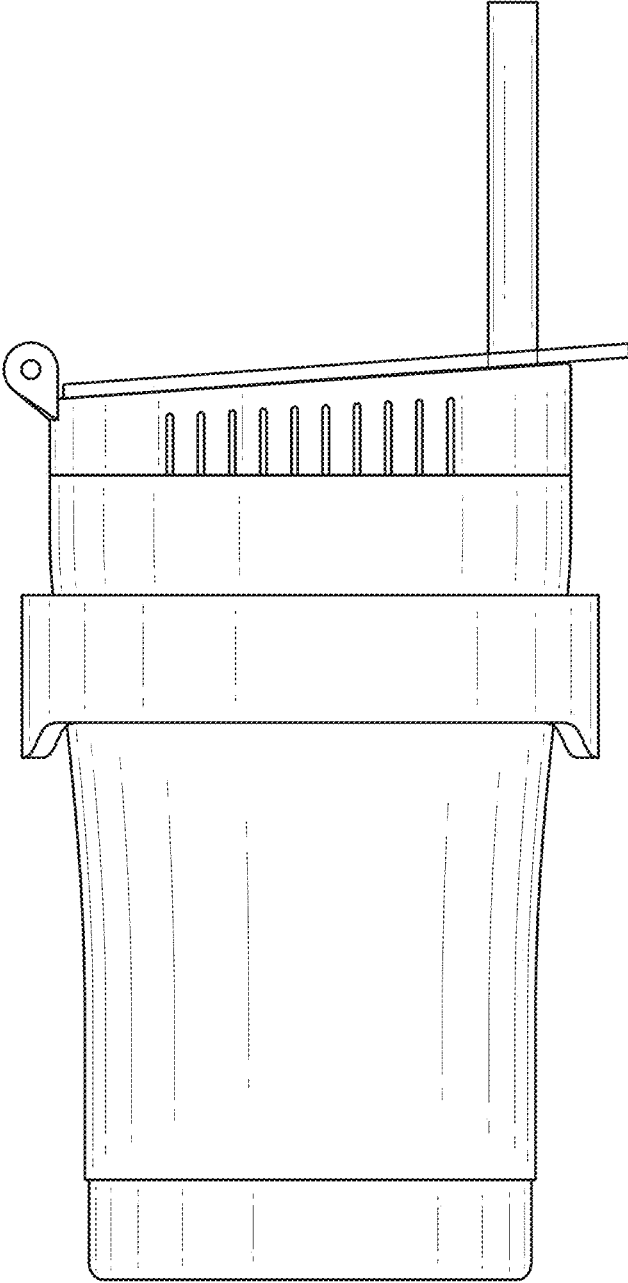


FIG. 5

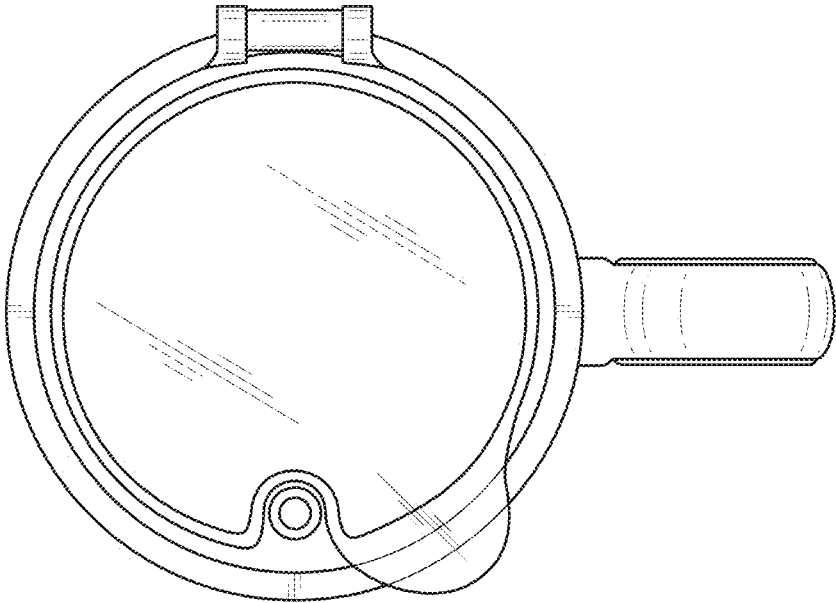


FIG. 6

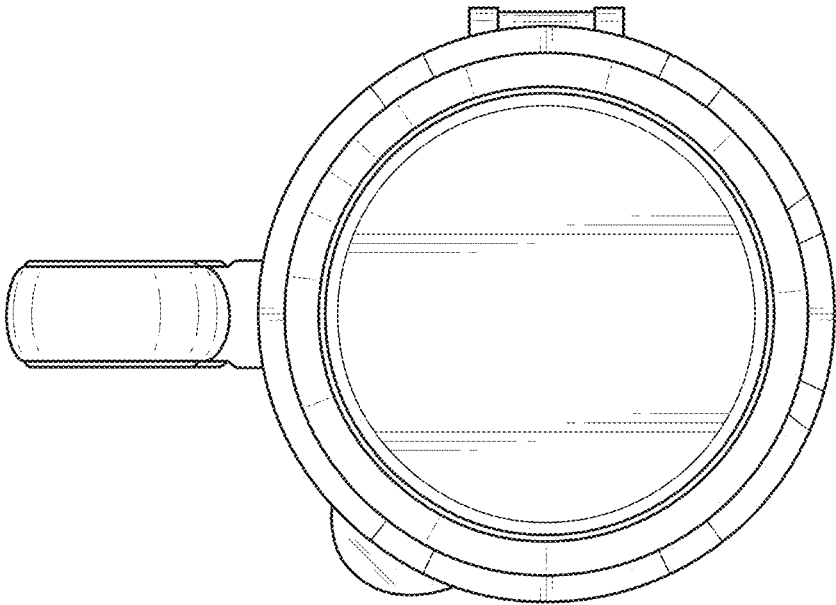


FIG. 7