



US00D372822S

# United States Patent [19] O'Brien

[11] **Patent Number:** **Des. 372,822**  
[45] **Date of Patent:** **\*\*Aug. 20, 1996**

[54] **ATTACHMENT FOR A BED FOOTBOARD TO RAISE BEDCOVERS**

[76] **Inventor:** **Joseph I. O'Brien**, 925 S. 11th St.,  
Richmond, Ind. 47374

[\*\*] **Term:** **14 Years**

[21] **Appl. No.:** **41,365**

[22] **Filed:** **Jul. 12, 1995**

[52] **U.S. Cl.** ..... **D6/503**

[58] **Field of Search** ..... D6/503, 491; 5/504.1,  
5/505.1, 506.1

[56] **References Cited**

**U.S. PATENT DOCUMENTS**

2,463,400	3/1949	Lowe	311/10
2,607,933	8/1952	Fulton	5/319
2,611,139	9/1952	Ecklund	5/319
4,287,622	9/1981	Lane	5/505.1
4,975,997	12/1990	Misiura et al.	5/505.1

5,203,042 4/1993 Mason ..... 5/504.1

*Primary Examiner*—Janice E. Seeger  
*Attorney, Agent, or Firm*—James A. Hudak

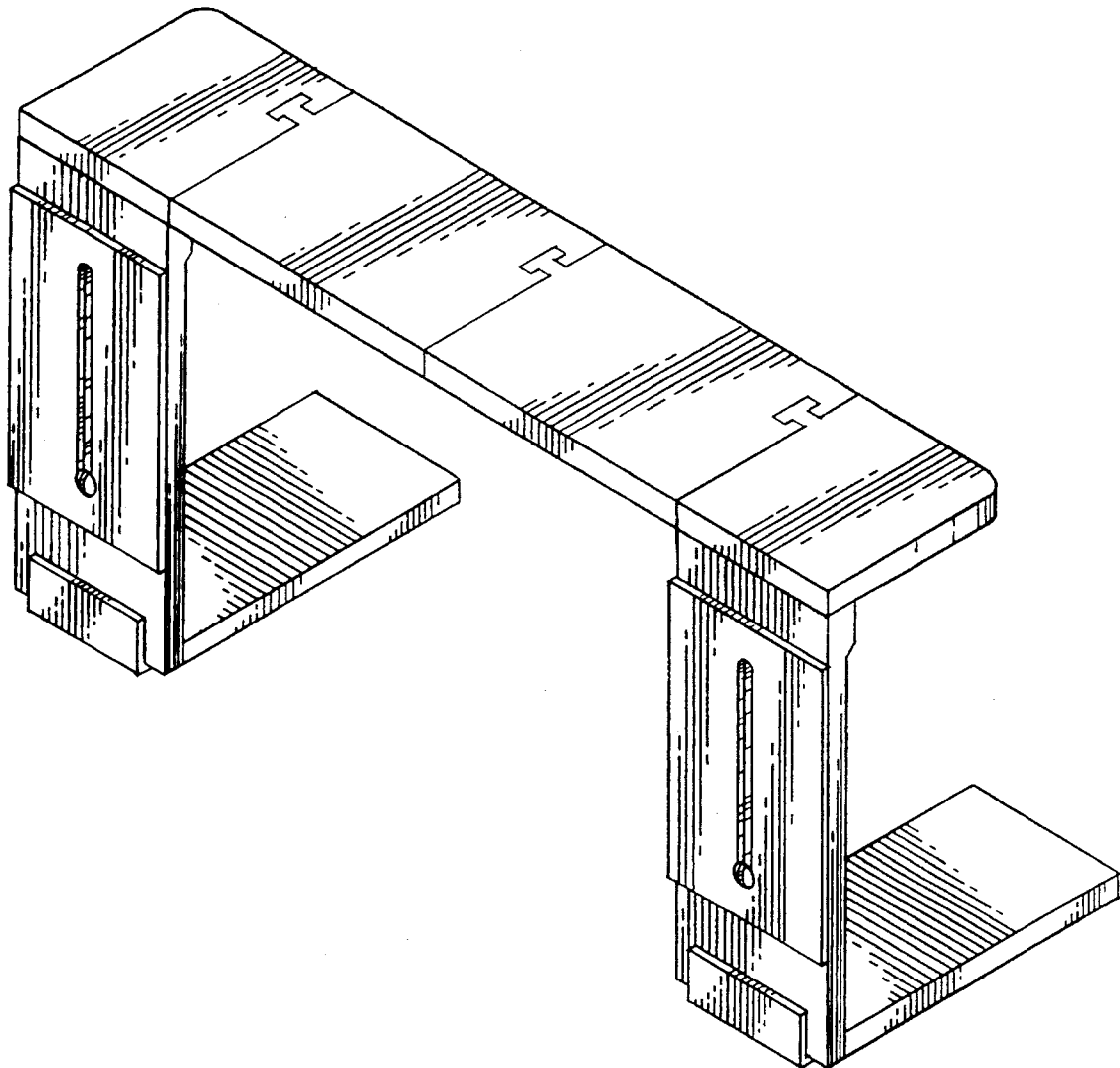
[57] **CLAIM**

The ornamental design for an attachment for a bed footboard to raise bedcovers, as shown and described.

**DESCRIPTION**

FIG. 1 is a perspective view of the attachment for a bed footboard to raise bedcovers showing my new design; FIG. 2 is a front elevational view thereof; FIG. 3 is a rear elevational view thereof; FIG. 4 is a right side elevational view thereof, the left side elevational view being a mirror image of the view in this Figure; FIG. 5 is a top plan view thereof; and, FIG. 6 is a bottom plan view thereof.

**1 Claim, 3 Drawing Sheets**



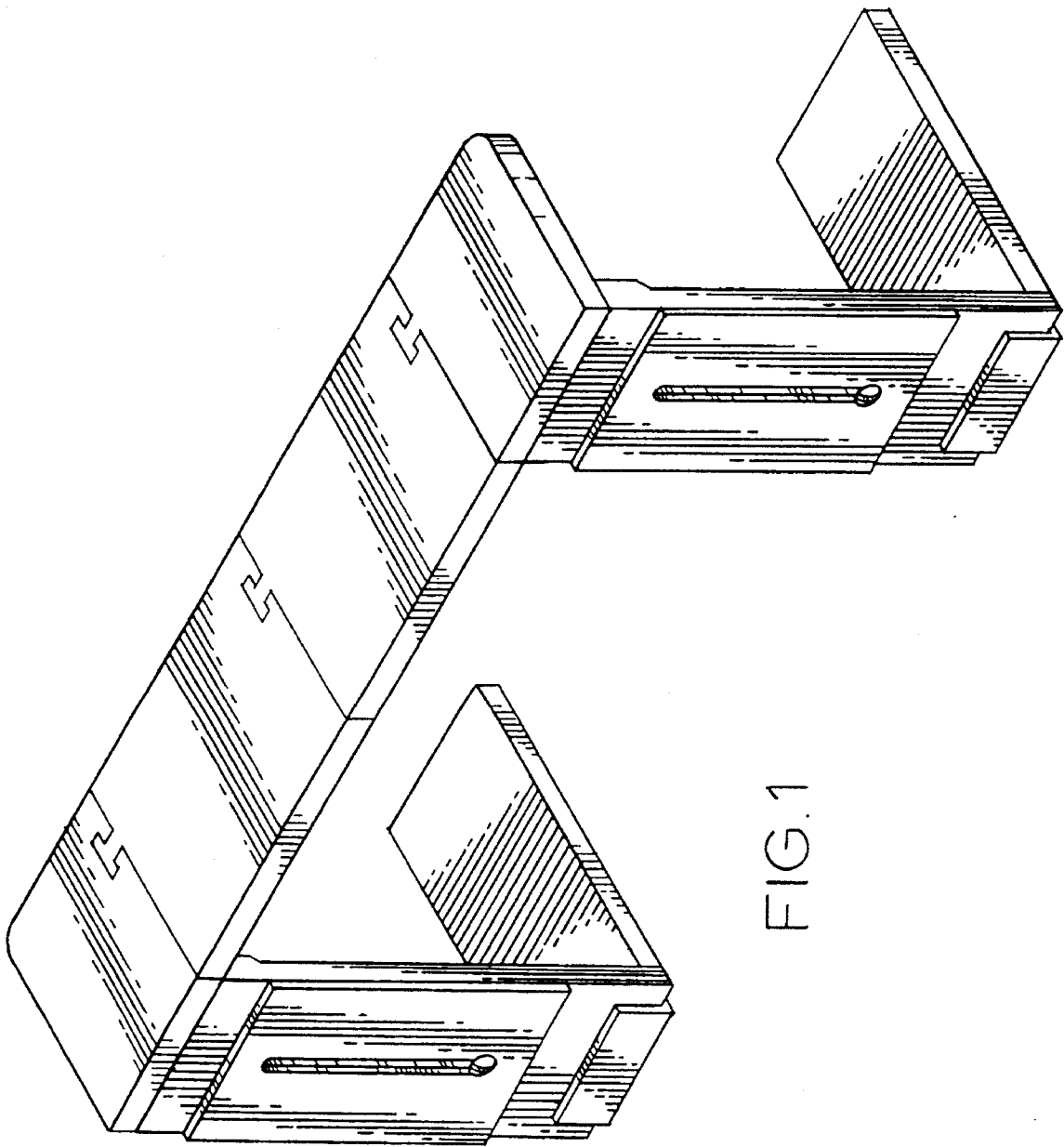


FIG.1



FIG. 4

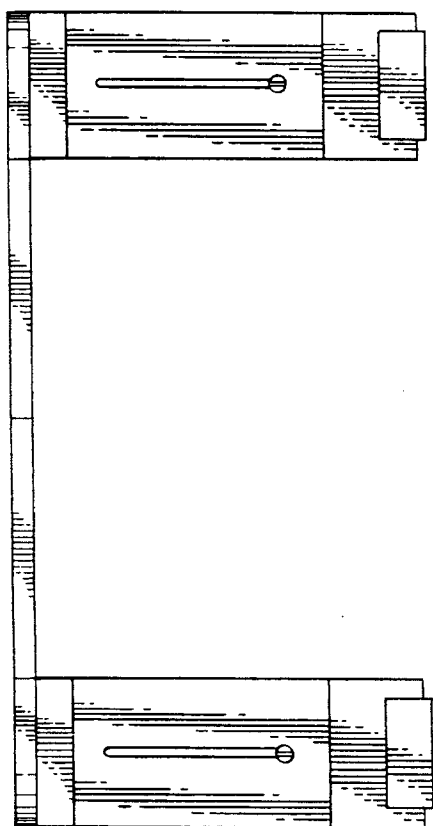


FIG. 2

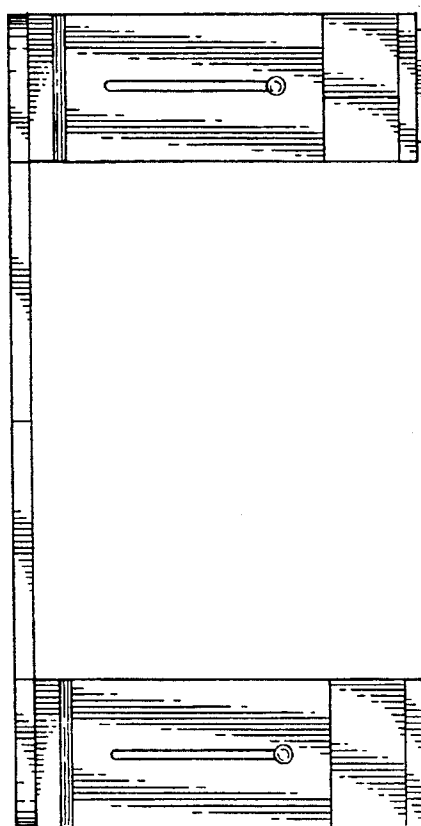


FIG. 3

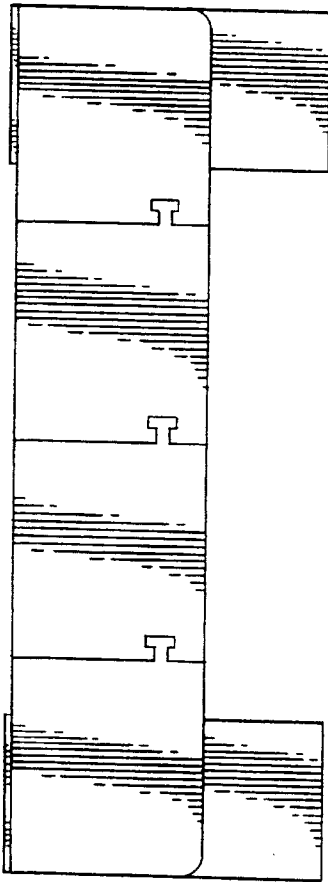


FIG. 5

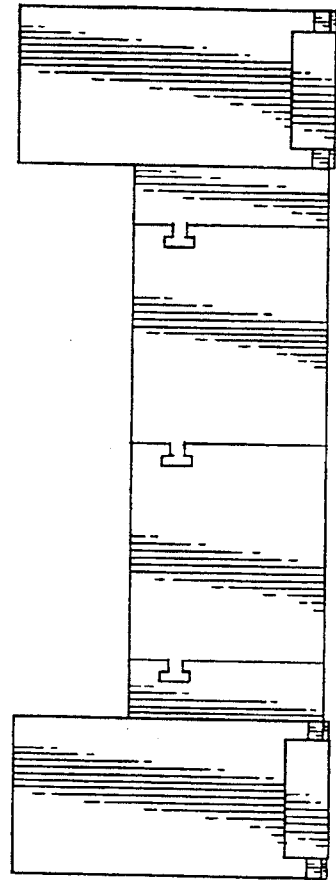


FIG. 6