



US00D418416S

United States Patent [19]

[11] **Patent Number: Des. 418,416**

Ficalora

[45] **Date of Patent: ** Jan. 4, 2000**

[54] **PERFUME CAP**

HEWI Catalogue, item No. 550.40.2010R—90 bends, p. 101.11a, Jan. 1982.

[75] Inventor: **Patricia Ficalora**, Brooklyn, N.Y.

Primary Examiner—Cathron B. Matta
Attorney, Agent, or Firm—Fulbright & Jaworski, LLP

[73] Assignee: **Estee Lauder Inc.**, New York, N.Y.

[**] Term: **14 Years**

[57] CLAIM

[21] Appl. No.: **29/091,774**

The ornamental design for a perfume cap, as shown and described.

[22] Filed: **Aug. 5, 1998**

DESCRIPTION

[51] **LOC (7) Cl.** **09-07**

[52] **U.S. Cl.** **D9/439**

[58] **Field of Search** D9/434, 435, 439,
D9/440, 544, 545; D8/307, 317; 16/111 R,
112; 215/355, 356; 220/602

FIG. 1 is a perspective view of the design for a perfume cap according to the invention;

FIG. 2 is a top plan view of the design according to the invention;

FIG. 3 is an underside view of the design according to the invention;

FIG. 4 is a side elevational view; the opposite side elevational view is the same; and,

FIG. 5 is a front elevational view; the rear elevational view is the same.

The broken lines shown in the drawings depicting environmental structure are for illustrative purposes only and form no part of the claimed design.

[56] References Cited

U.S. PATENT DOCUMENTS

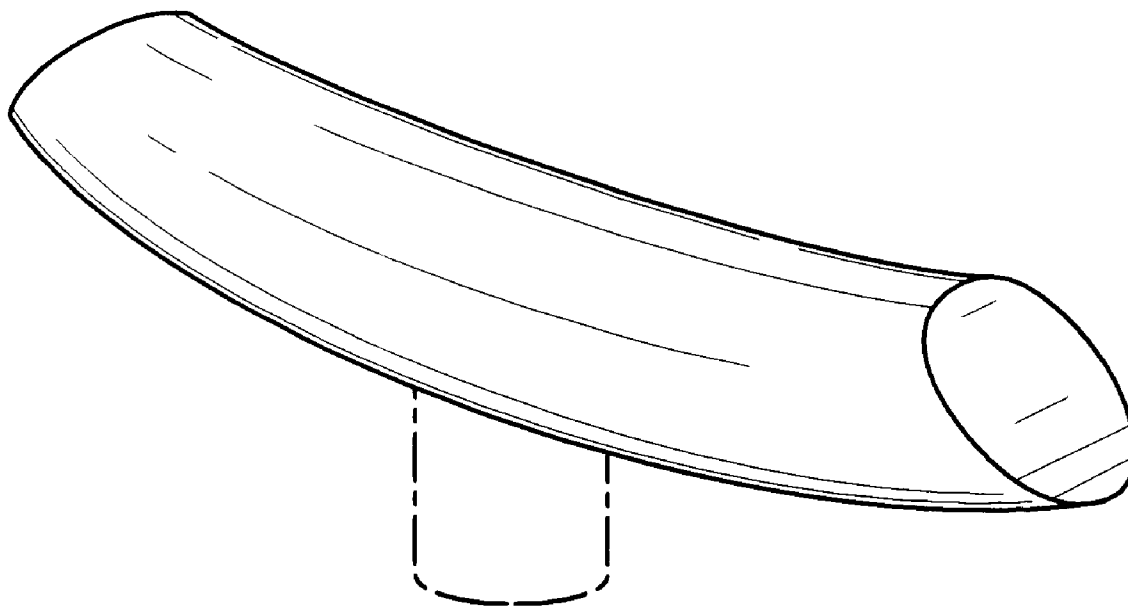
D. 204,220	3/1966	Aleks	D8/307
D. 230,698	3/1974	Gentry	D8/307
D. 381,905	8/1997	Chahed	D9/435
3,023,868	3/1962	Koffler	16/111 R
3,122,774	3/1964	Lamb	16/111 R X

OTHER PUBLICATIONS

Beauty Fashion, p. 59, Anne Klein perfume bottle stopper, Apr. 1985.

Beauty Fashion, p. 87, Flora Danica perfume bottle stopper, Jun. 1982.

1 Claim, 3 Drawing Sheets



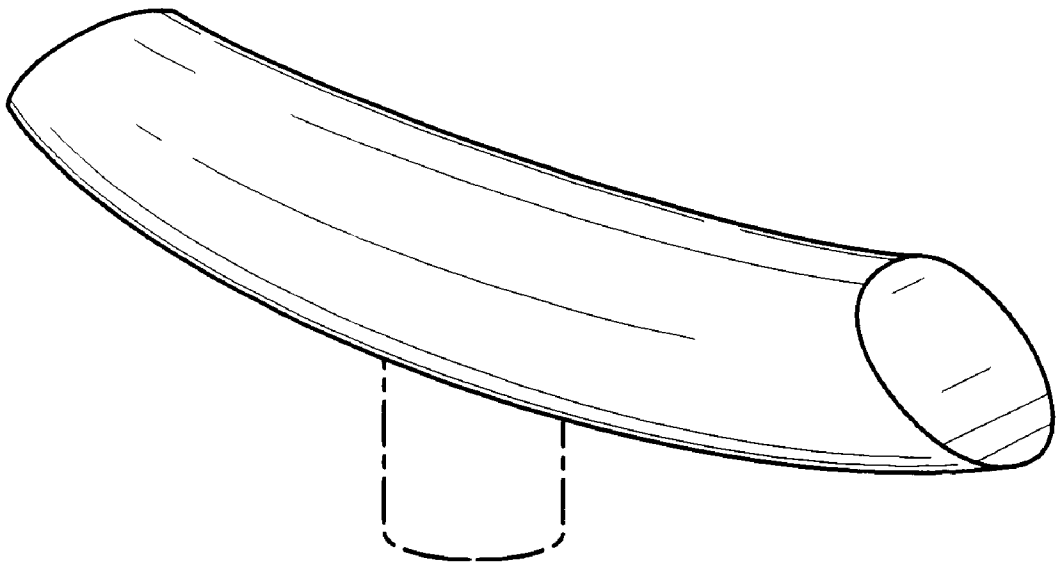


FIG. 1

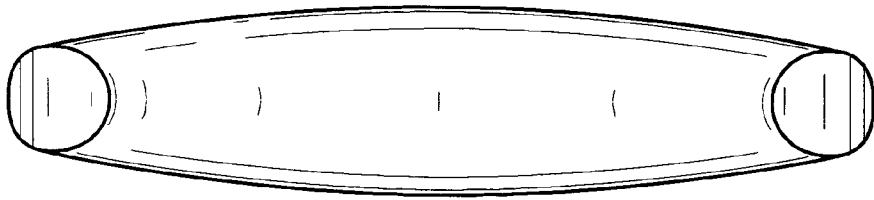


FIG. 2

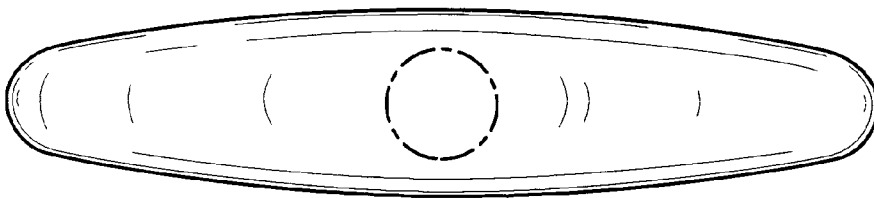


FIG. 3

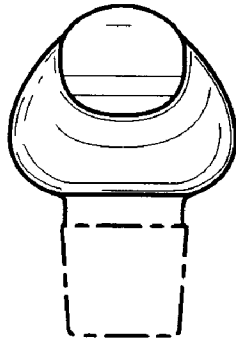


FIG. 4

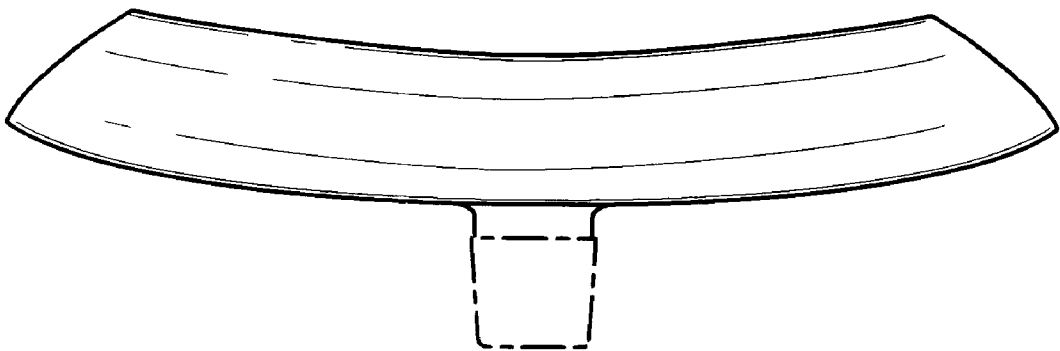


FIG. 5