



US00D817876S

(12) **United States Design Patent**  
**Meng**

(10) **Patent No.:** **US D817,876 S**

(45) **Date of Patent:** **\*\* May 15, 2018**

(54) **INVERTER**

(71) Applicant: **Xiaolian Meng**, Guangdong (CN)

(72) Inventor: **Xiaolian Meng**, Guangdong (CN)

(\*\*) Term: **15 Years**

(21) Appl. No.: **29/600,970**

(22) Filed: **Apr. 18, 2017**

(51) **LOC (11) Cl.** ..... **13-03**

(52) **U.S. Cl.**  
USPC ..... **D13/110**

(58) **Field of Classification Search**

USPC ..... D13/108, 110, 118, 123, 180, 182, 184,  
D13/199; D14/299, 433  
CPC . H02M 2001/0009; H02M 2001/0083; H02M  
2001/009; H02M 1/10; H02M 3/02;  
H02M 3/24; H02M 3/34; H02M 5/00;  
H02M 5/02; H02M 5/40; H02M 5/42;  
H02M 7/00; H02M 7/003; H02M 7/02;  
H02M 7/04; H02M 7/42; H02M 7/44;  
H02M 7/54; H02J 5/00; H05K 1/00;  
H05K 1/0213; H05K 5/00; H05K 5/0004;  
H05K 5/0008; H05K 5/0086; H05K  
5/0247; H05K 5/03; H05K 5/04; H05K  
7/00; H05K 7/20; H05K 7/20127; H05K  
7/20136; H05K 7/20145; H05K 7/20154;  
H05K 7/20172

See application file for complete search history.

(56) **References Cited**

U.S. PATENT DOCUMENTS

D379,174 S *	5/1997	Kornblum .....	D13/123
D382,539 S *	8/1997	Kornblum .....	D13/123
D427,146 S *	6/2000	Wei .....	D13/110
D427,147 S *	6/2000	Wei .....	D13/110
D427,148 S *	6/2000	Wei .....	D13/110
D427,969 S *	7/2000	Wei .....	D13/110
D551,621 S *	9/2007	Iacovelli .....	D13/110
D785,565 S *	5/2017	Xu .....	D13/110
2010/0039771 A1 *	2/2010	Marchand .....	H05K 7/20909 361/694

\* cited by examiner

*Primary Examiner* — Daniel Bui

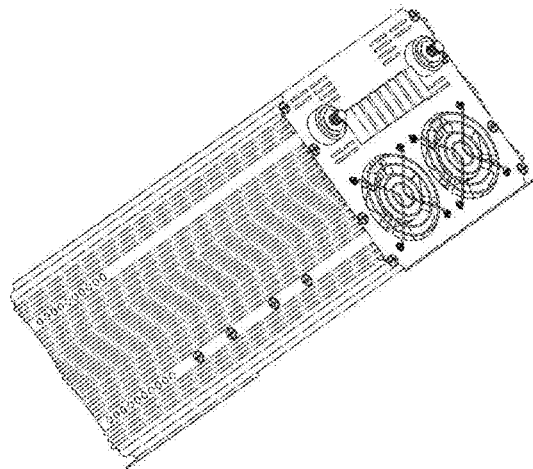
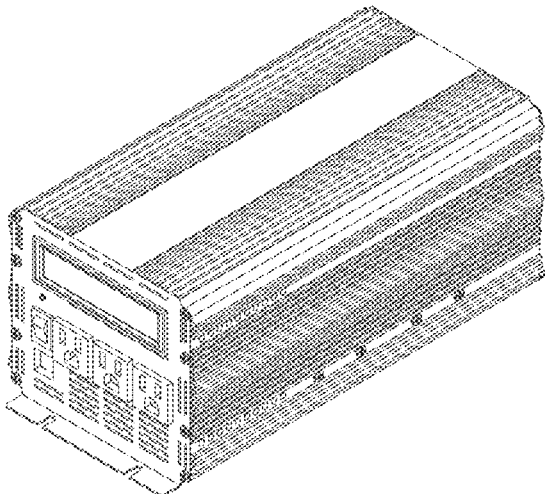
(57) **CLAIM**

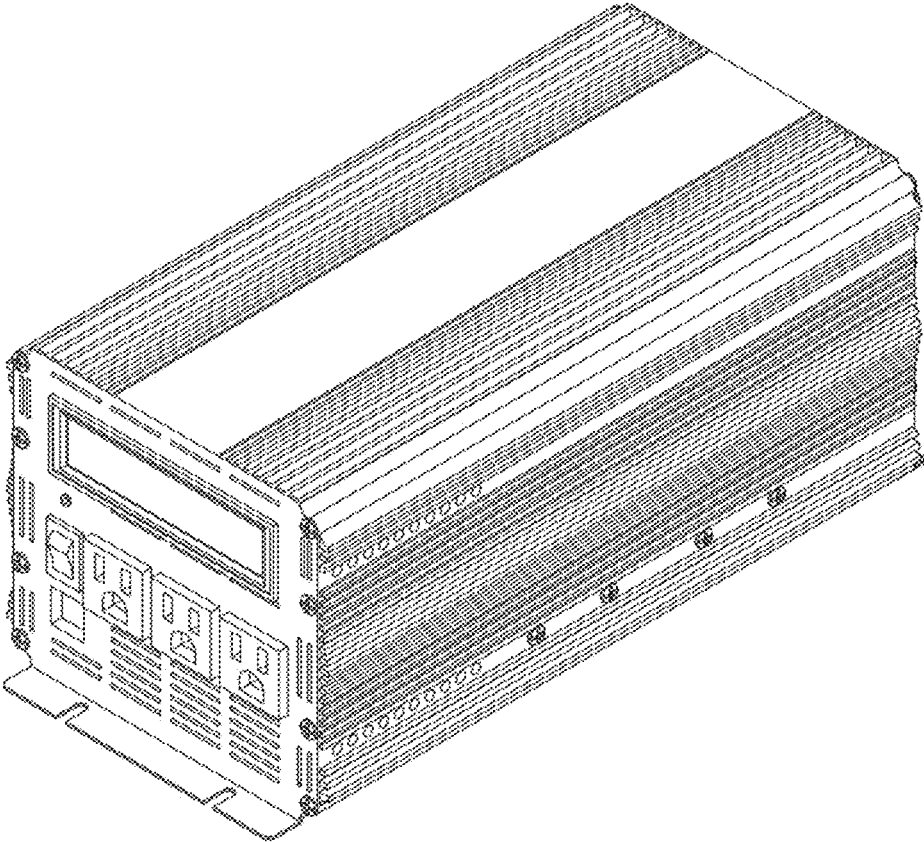
The ornamental design for an inverter, as shown and described.

**DESCRIPTION**

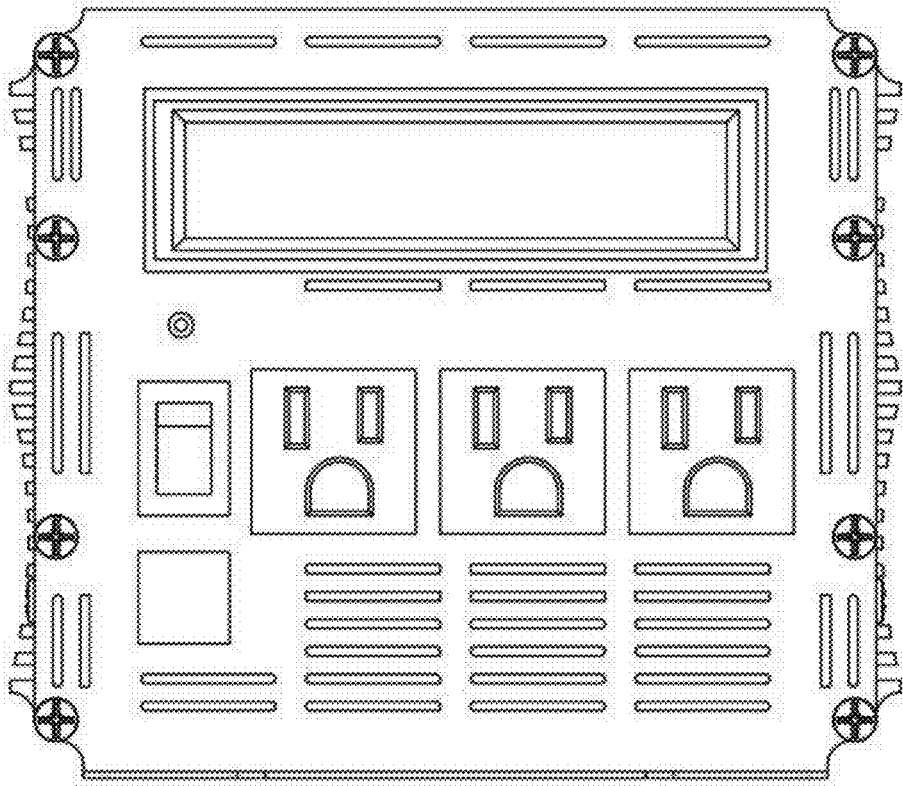
FIG. 1 is a perspective view of an inverter showing my new design;  
FIG. 2 is a front elevational view thereof;  
FIG. 3 is a rear elevational view thereof;  
FIG. 4 is a right side view thereof;  
FIG. 5 is a left side view thereof;  
FIG. 6 is a bottom plan view thereof;  
FIG. 7 is a top plan view thereof; and,  
FIG. 8 is a supplemental perspective view thereof.

**1 Claim, 7 Drawing Sheets**





**FIG. 1**



**FIG. 2**

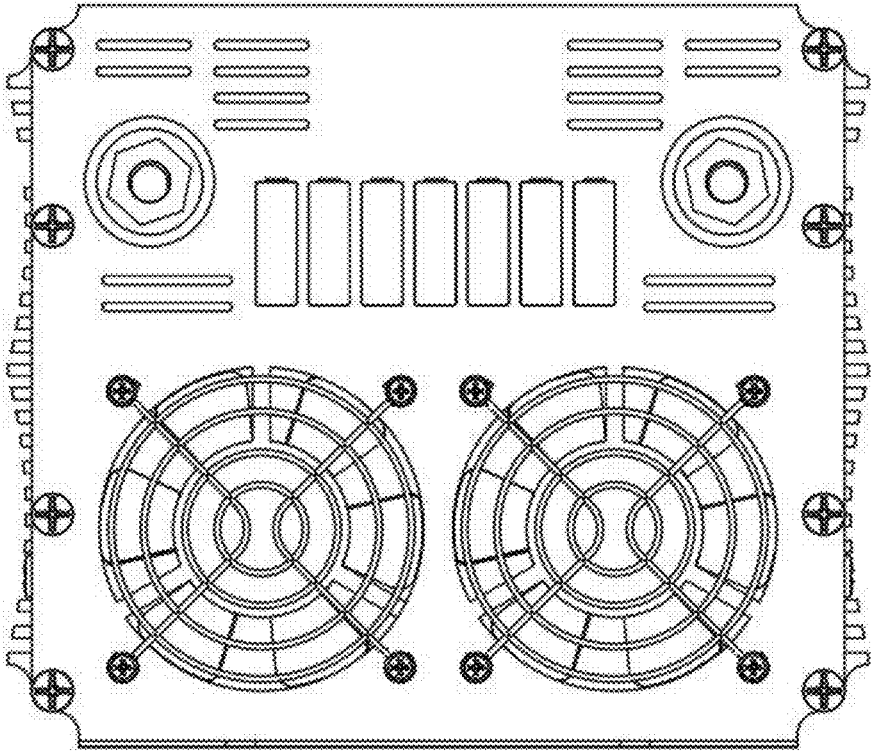


FIG. 3

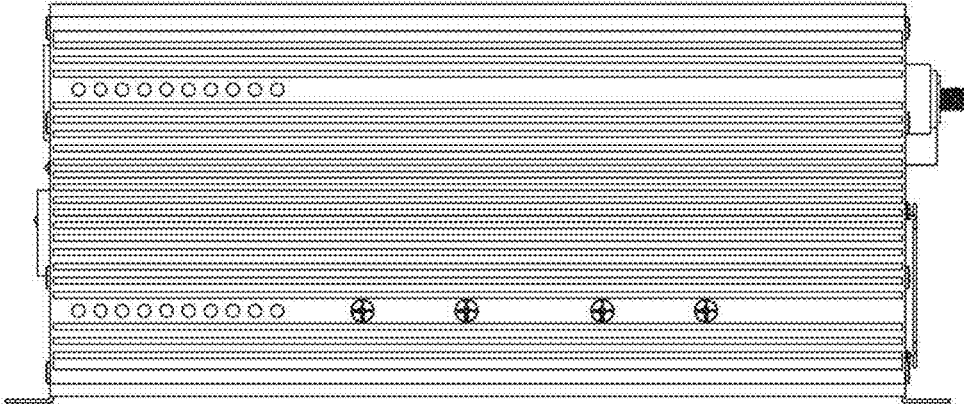


FIG. 4

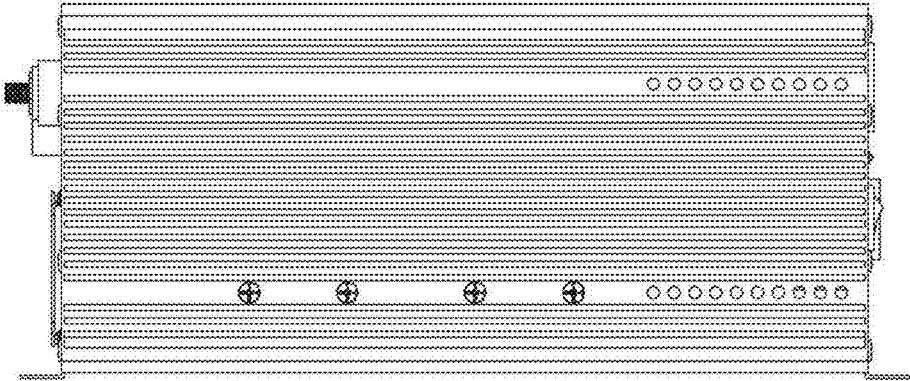
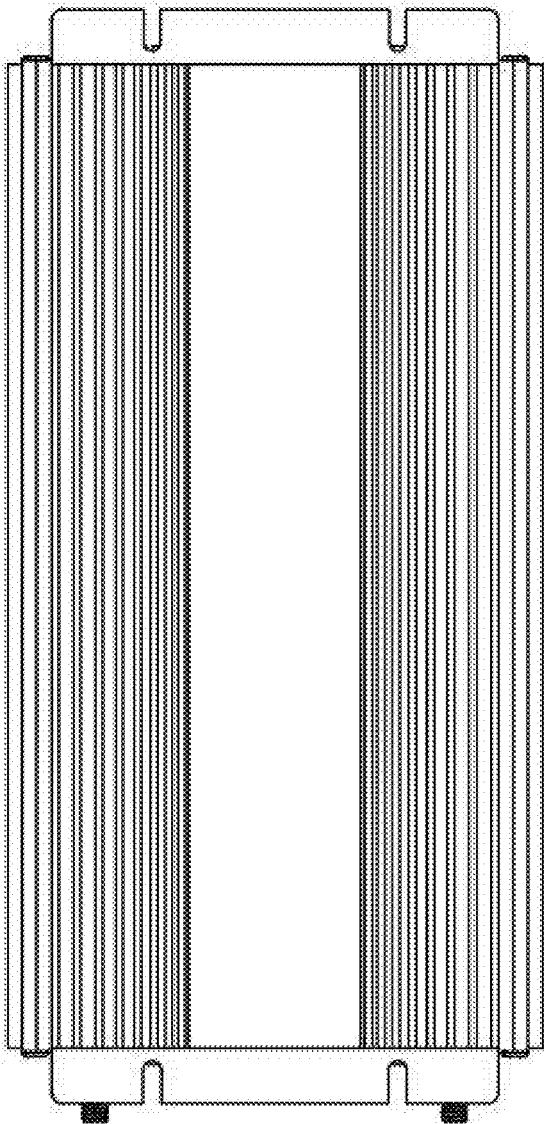
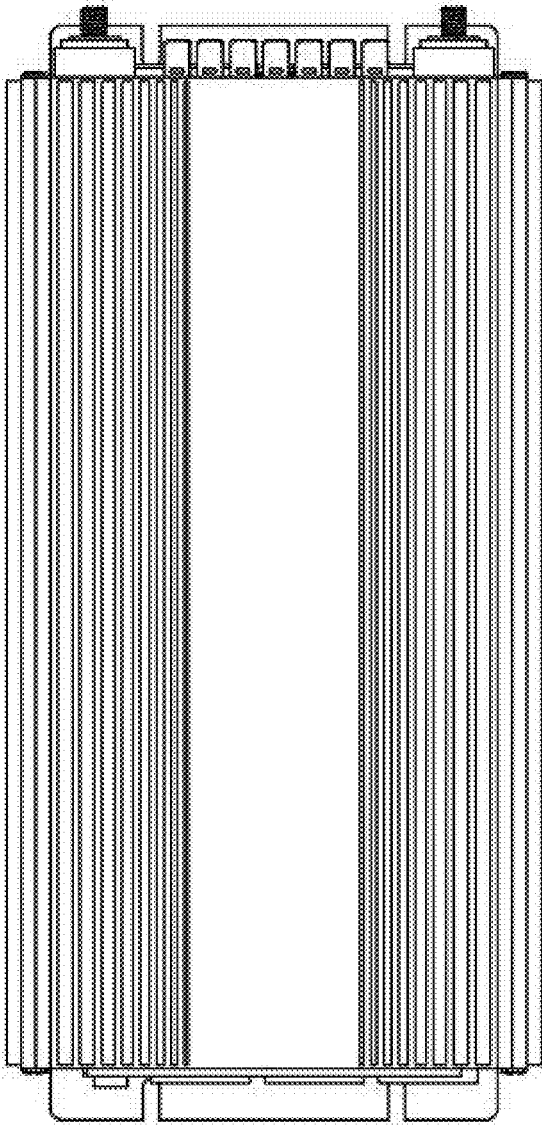


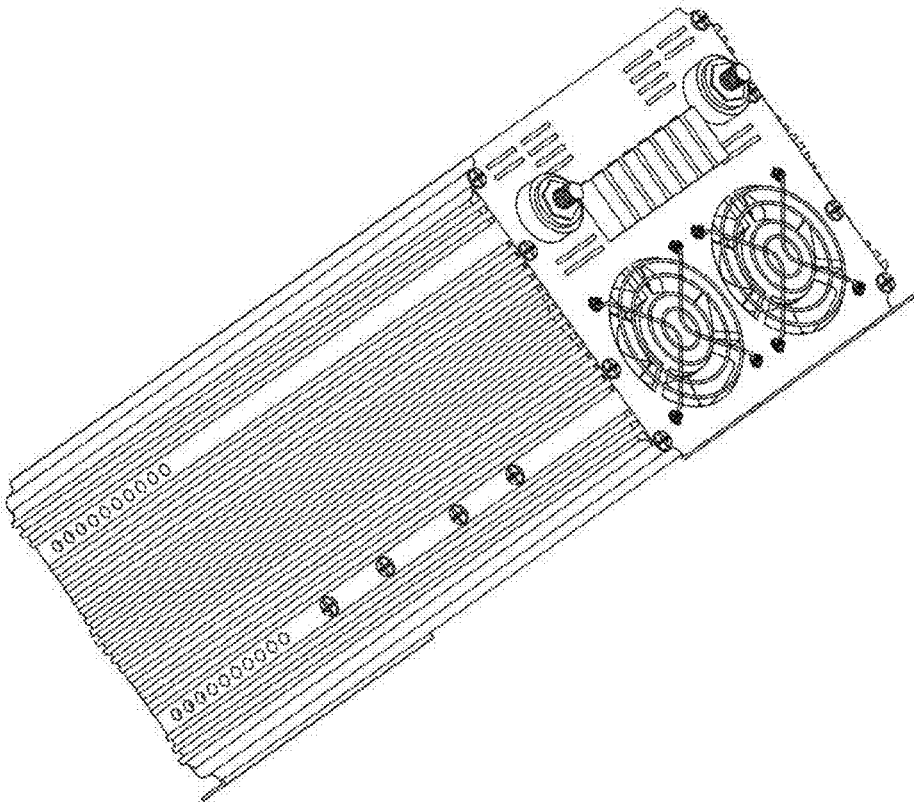
FIG. 5



**FIG. 6**



**FIG. 7**



**FIG. 8**