



US00D898944S

(12) **United States Design Patent**  
**Green**

(10) **Patent No.:** **US D898,944 S**

(45) **Date of Patent:** **\*\* Oct. 13, 2020**

- (54) **ENGINE MAINTENANCE LADDER**
- (71) Applicant: **LockNCLimb, LLC**, Independence, KS (US)
- (72) Inventor: **Jeffrey Alan Green**, Independence, KS (US)
- (73) Assignee: **LOCK N CLIMB, LLC**, Independence, KS (US)
- (\*\*) Term: **15 Years**

D722,182	S	*	2/2015	Green	.....	D25/64
D745,191	S	*	12/2015	Green	.....	D25/64
D796,694	S	*	9/2017	Green	.....	D25/64
9,834,987	B2		12/2017	Lo	.....	
D836,215	S	*	12/2018	Green	.....	D25/68
D840,055	S	*	2/2019	Skubic	.....	D25/64
D884,923	S	*	5/2020	Green	.....	D25/64
2008/0093166	A1		4/2008	Frolik	.....	
2011/0011674	A1		1/2011	Kim	.....	
2015/0308190	A1*		10/2015	Skubic	.....	E06C 1/393
					.....	182/124
2015/0354276	A1*		12/2015	Green	.....	E06C 7/46
					.....	182/172
2017/0226803	A1		8/2017	Russell	.....	

(21) Appl. No.: **29/661,095**

(22) Filed: **Aug. 24, 2018**

(51) **LOC (12) Cl.** ..... **25-04**

(52) **U.S. Cl.** ..... **D25/64**

USPC ..... **D25/64**

(58) **Field of Classification Search**

USPC ..... D25/62-65, 66, 68, 69; 182/165, 194,  
 182/22, 23, 93, 180.1, 156, 166, 111,  
 182/152, 180.2, 179.1, 201, 159, 162,  
 182/106, 26, 115, 124, 172  
 CPC ... E06C 1/383; E06C 1/14; E06C 5/02; E06C  
 7/10; E06C 1/393  
 See application file for complete search history.

(56) **References Cited**

**U.S. PATENT DOCUMENTS**

2,381,492	A	8/1945	Fenner	
2,423,477	A	7/1947	Brimboeuf	
2,624,590	A	1/1953	Tilton	
2,701,168	A	2/1955	Schemers	
2,962,112	A	11/1960	Ramsberger	
6,105,719	A	8/2000	Lensing	
6,926,365	B2	8/2005	Bottoms	
7,048,091	B1	5/2006	Maguire	
7,350,621	B2	4/2008	Abraham	
7,828,116	B2	11/2010	Vetesnik	
8,002,084	B2*	8/2011	Huang	..... E06C 1/18
				182/159

**OTHER PUBLICATIONS**

Non-Final Rejection dated Jun. 15, 2020, from U.S. Appl. No. 16/111,501, 44 sheets.  
 Notice of Allowance dated Jul. 1, 2020, from U.S. Appl. No. 16/111,501, 22 sheets.

\* cited by examiner

*Primary Examiner* — Gino Colan  
 (74) *Attorney, Agent, or Firm* — Katten Muchin;  
 Rosenman LLP

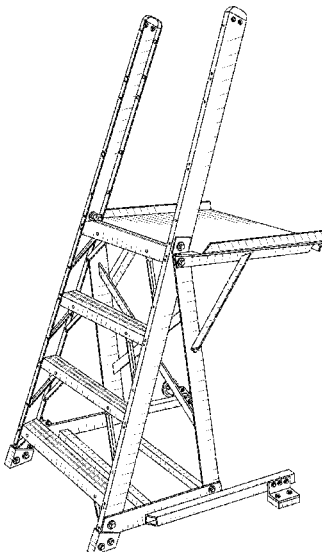
(57) **CLAIM**

The ornamental design for the engine maintenance ladder, as shown and described.

**DESCRIPTION**

FIG. 1 is a front perspective view of an engine maintenance ladder showing my new design;  
 FIG. 2 is a rear elevation view thereof;  
 FIG. 3 is a front elevation view thereof;  
 FIG. 4 is a right side elevation view thereof;  
 FIG. 5 is a left side elevation view thereof;  
 FIG. 6 is a top plan view thereof; and,  
 FIG. 7 is a bottom plan view thereof.

**1 Claim, 7 Drawing Sheets**



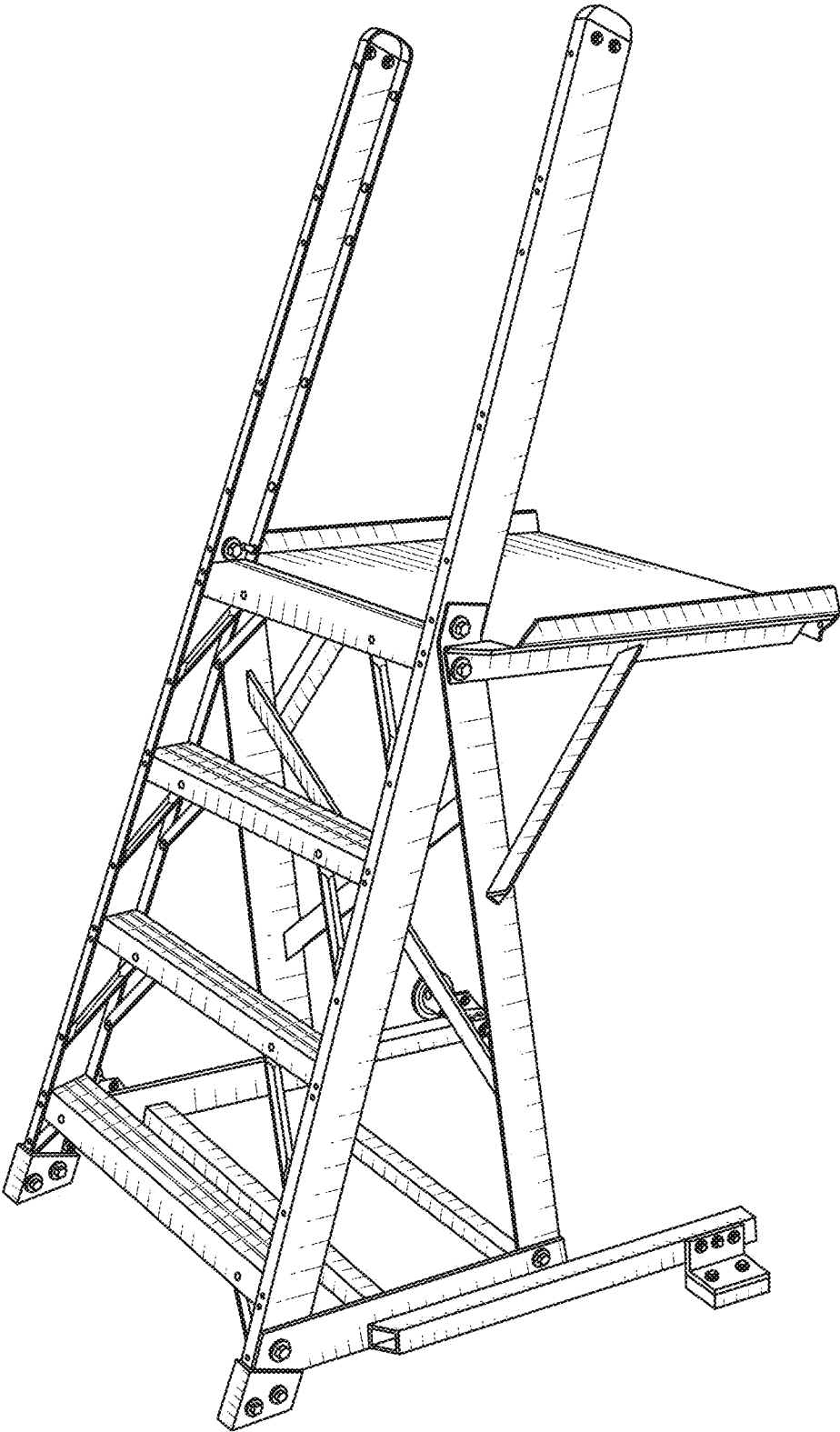


FIG. 1

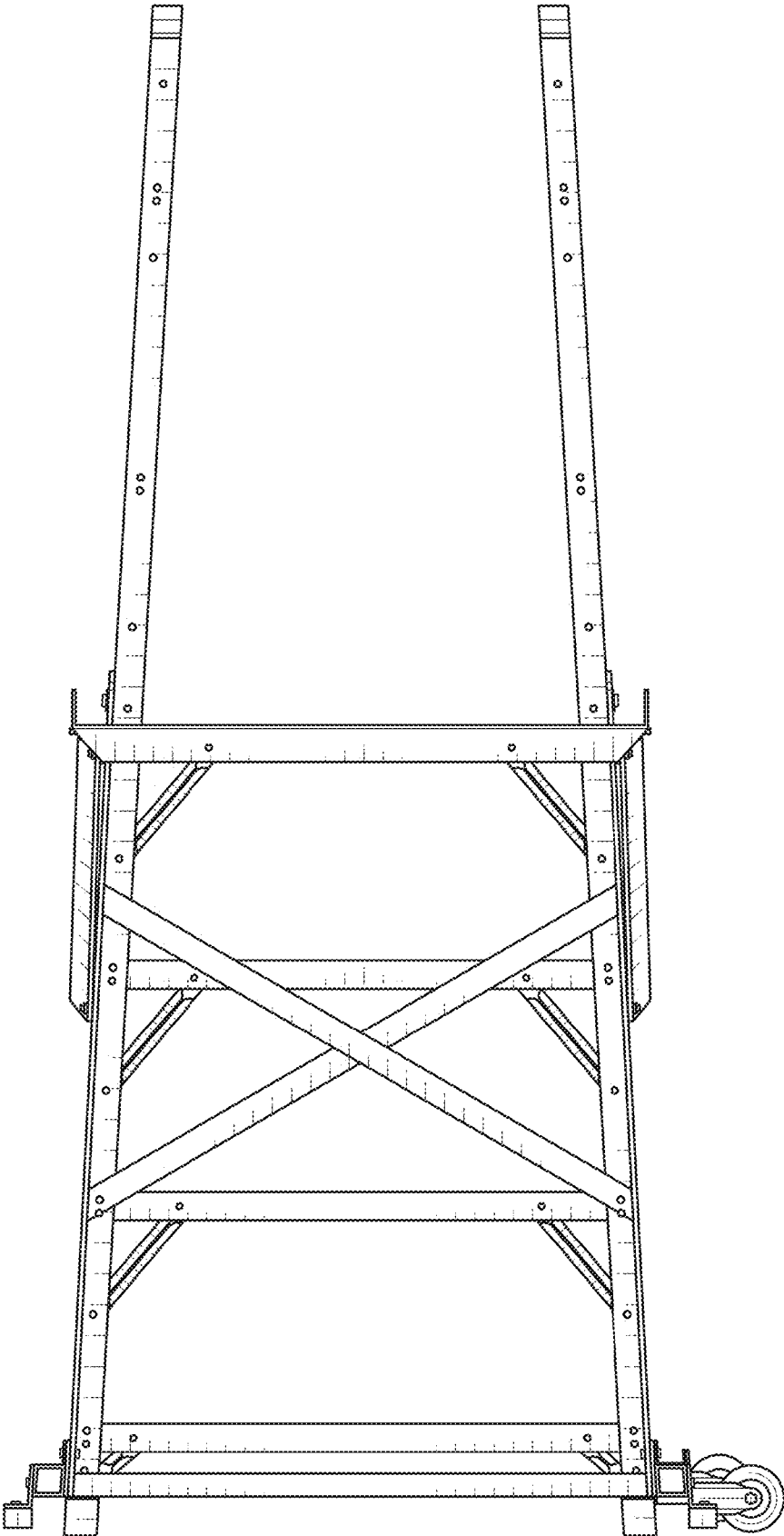


FIG. 2

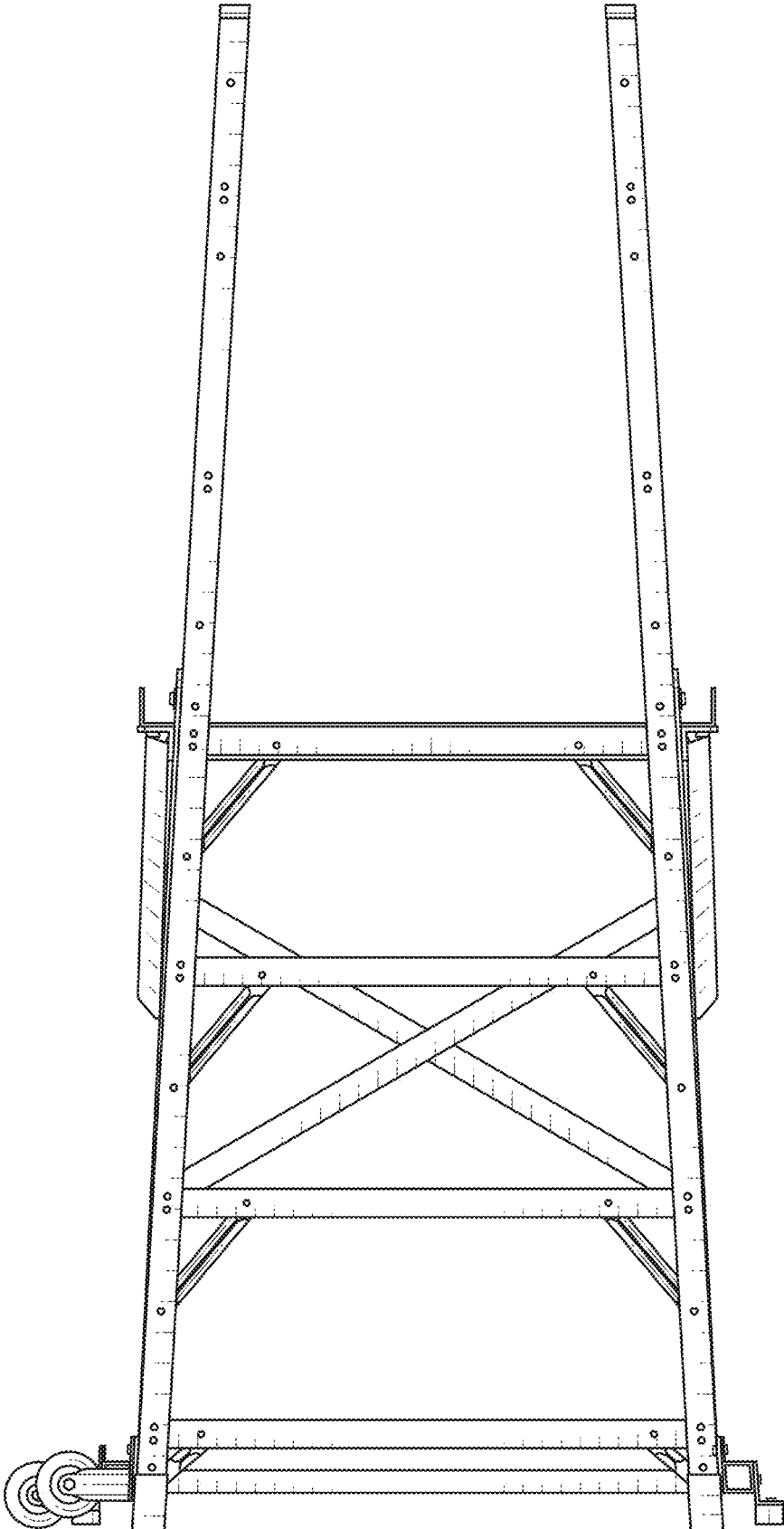


FIG. 3

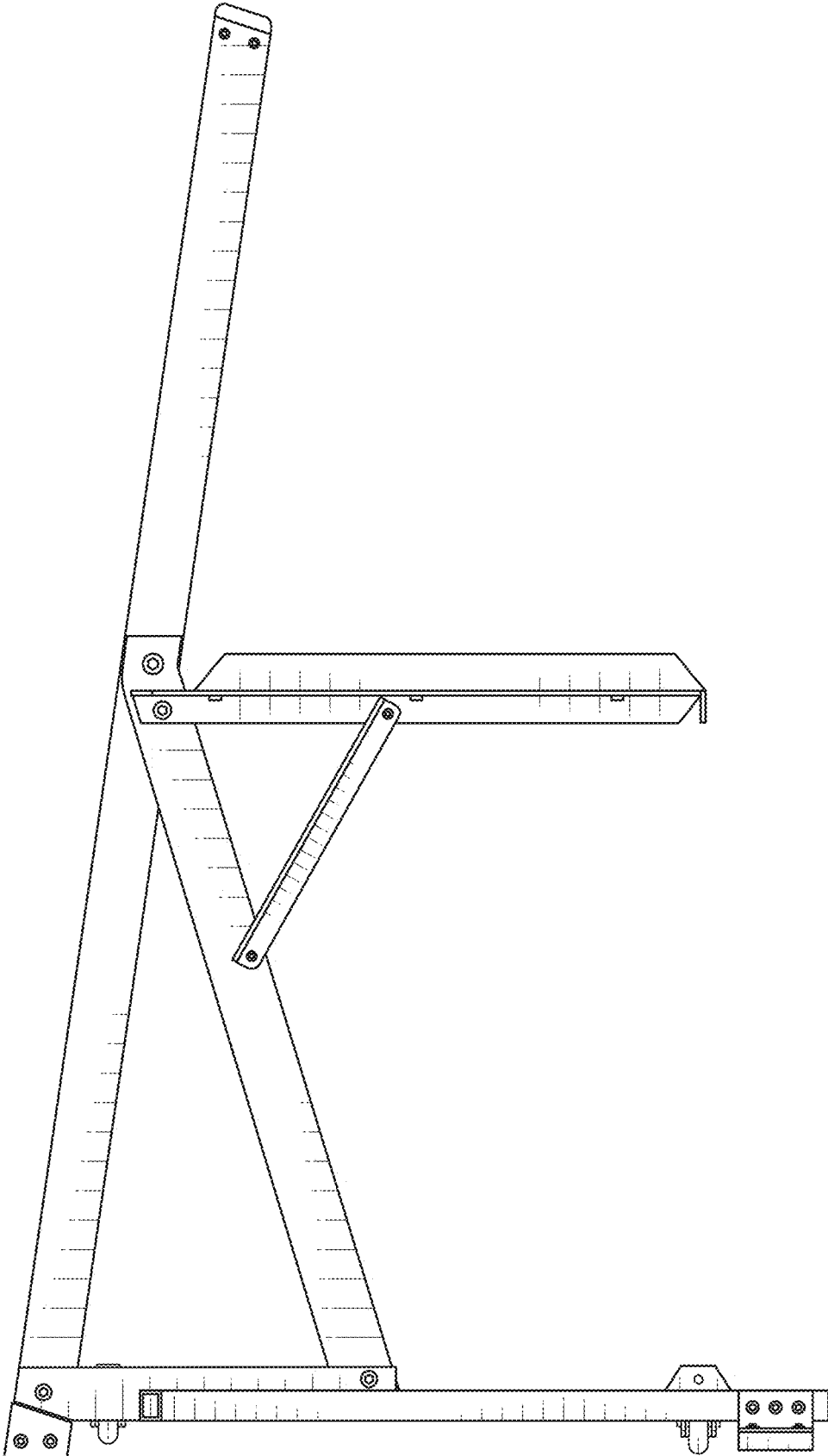


FIG. 4

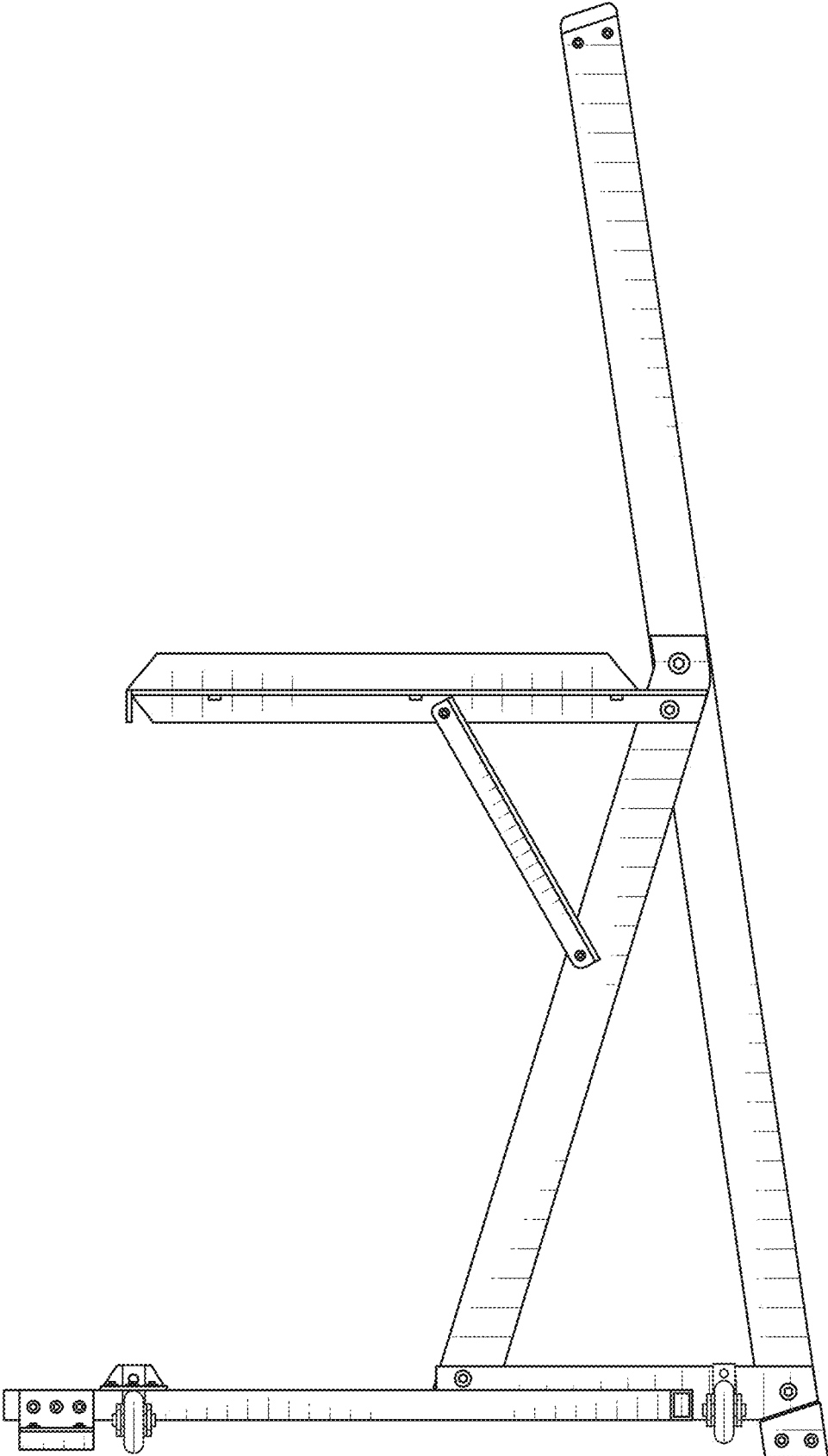


FIG. 5

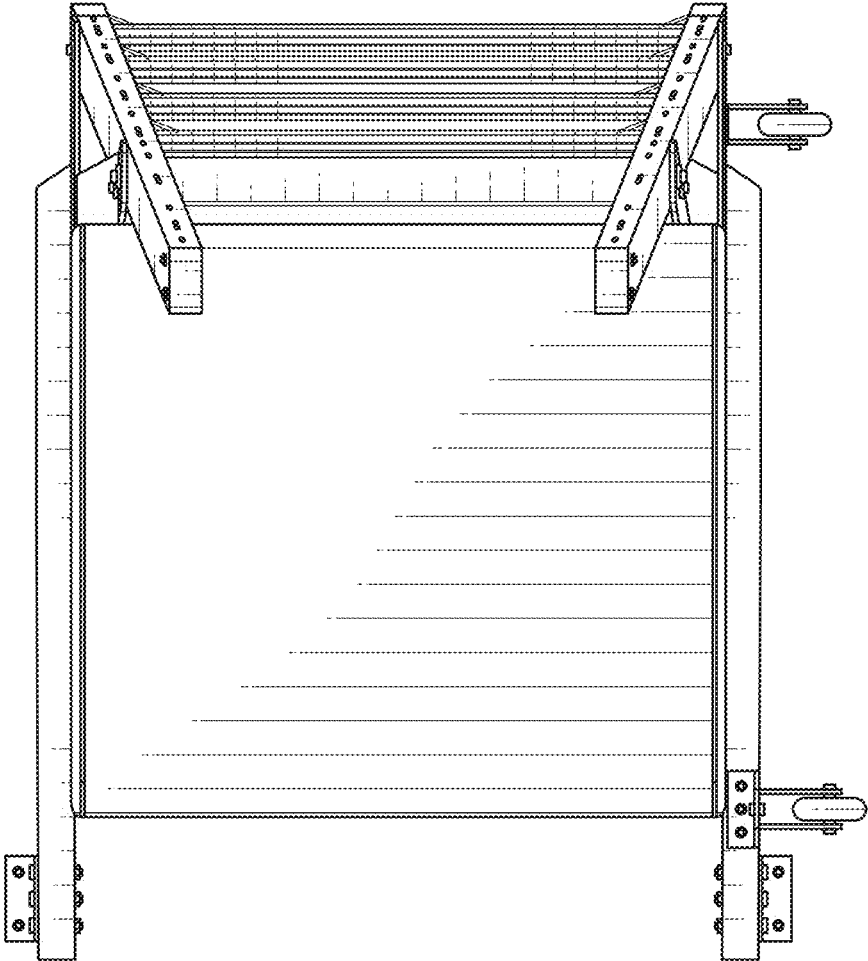


FIG. 6

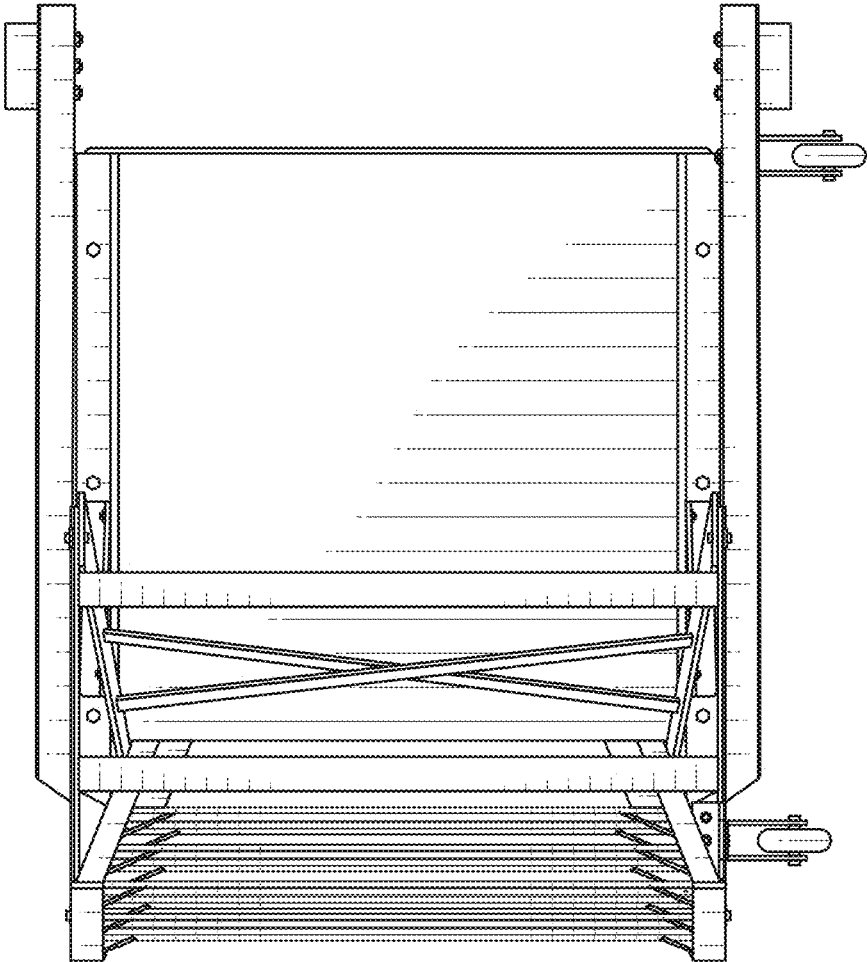


FIG. 7