



US00D756977S

(12) **United States Design Patent**
Schriefer et al.

(10) **Patent No.:** **US D756,977 S**

(45) **Date of Patent:** **** May 24, 2016**

(54) **PHOTO COVER FOR PORTABLE ELECTRONIC DEVICE**

(71) Applicants: **Tavis Schriefer**, Carrollton, TX (US);
Edward Stanfield, Plano, TX (US)

(72) Inventors: **Tavis Schriefer**, Carrollton, TX (US);
Edward Stanfield, Plano, TX (US)

(**) Term: **14 Years**

(21) Appl. No.: **29/464,890**

(22) Filed: **Aug. 21, 2013**

(51) **LOC (10) Cl.** **14-03**

(52) **U.S. Cl.**
USPC **D14/250**

(58) **Field of Classification Search**
USPC D14/250–253, 440, 203.3–203.7, 217,
D14/496, 248, 238.1, 240, 447; D3/201,
D3/218, 269, 301, 273, 303; D13/103,
D13/107–108; 220/4.02; 248/309.1;
361/679.56; 379/426, 433.11, 455;
455/575.1, 575.8; 190/100; 206/305,
206/320
CPC A45C 2011/002; A45C 11/00; A45C
13/002; A45C 2011/003; H04M 1/0283;
H04M 1/0202

See application file for complete search history.

(56) **References Cited**

U.S. PATENT DOCUMENTS

D637,592 S	5/2011	Magness et al.	
D641,013 S	7/2011	Richardson et al.	
D643,029 S	8/2011	Feng	
D644,217 S	8/2011	Richardson et al.	
D644,636 S	9/2011	Richardson et al.	
D647,519 S	10/2011	Rothbaum et al.	
D650,810 S	12/2011	Lemelman et al.	
D654,931 S	2/2012	Lemelman et al.	
8,112,130 B2 *	2/2012	Mittleman et al.	455/575.1

D663,263 S *	7/2012	Gupta et al.	D13/103
D678,871 S *	3/2013	Mishan et al.	D14/250
D685,779 S *	7/2013	Schriefer et al.	D14/250
D686,199 S *	7/2013	Fahrendorff et al.	D14/250
D686,606 S *	7/2013	Hong	D14/250
D696,234 S *	12/2013	Wright	D14/250
D702,672 S *	4/2014	Mather	D14/250
D709,439 S *	7/2014	Ferber et al.	D13/103
2014/0224675 A1 *	8/2014	Simmer	206/37

* cited by examiner

Primary Examiner — Carla Jobe Wright

Assistant Examiner — Holly E Thurman

(74) *Attorney, Agent, or Firm* — Quickpatents, LLC; Kevin Prince

(57) **CLAIM**

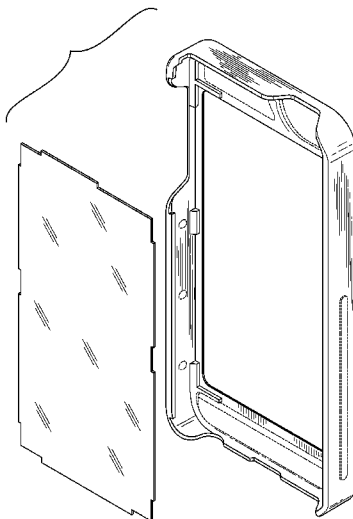
We claim the ornamental design for a photo cover for portable electronic device, as shown and described.

DESCRIPTION

FIG. 1 is an exploded rear perspective view of a photo cover for portable electronic device, showing our design with components separated for clarity of disclosure; FIG. 2 is a rear perspective view thereof with components shown in an assembled state; FIG. 3 is a rear elevational view thereof; FIG. 4 is a front elevational view thereof; FIG. 5 is a right-side elevational view thereof; FIG. 6 is a left-side elevational view thereof; FIG. 7 is a top plan view thereof; FIG. 8 is a bottom plan view thereof; FIG. 9 is a cross-sectional view thereof, taken along line 9-9 of FIG. 3; and, FIG. 10 is a cross-sectional view thereof, taken along line 10-10 of FIG. 3.

The broken lines immediately adjacent shaded surfaces represent boundaries of the claimed design. All other broken lines depict unclaimed environment. All broken lines form no part of the claimed design.

1 Claim, 5 Drawing Sheets



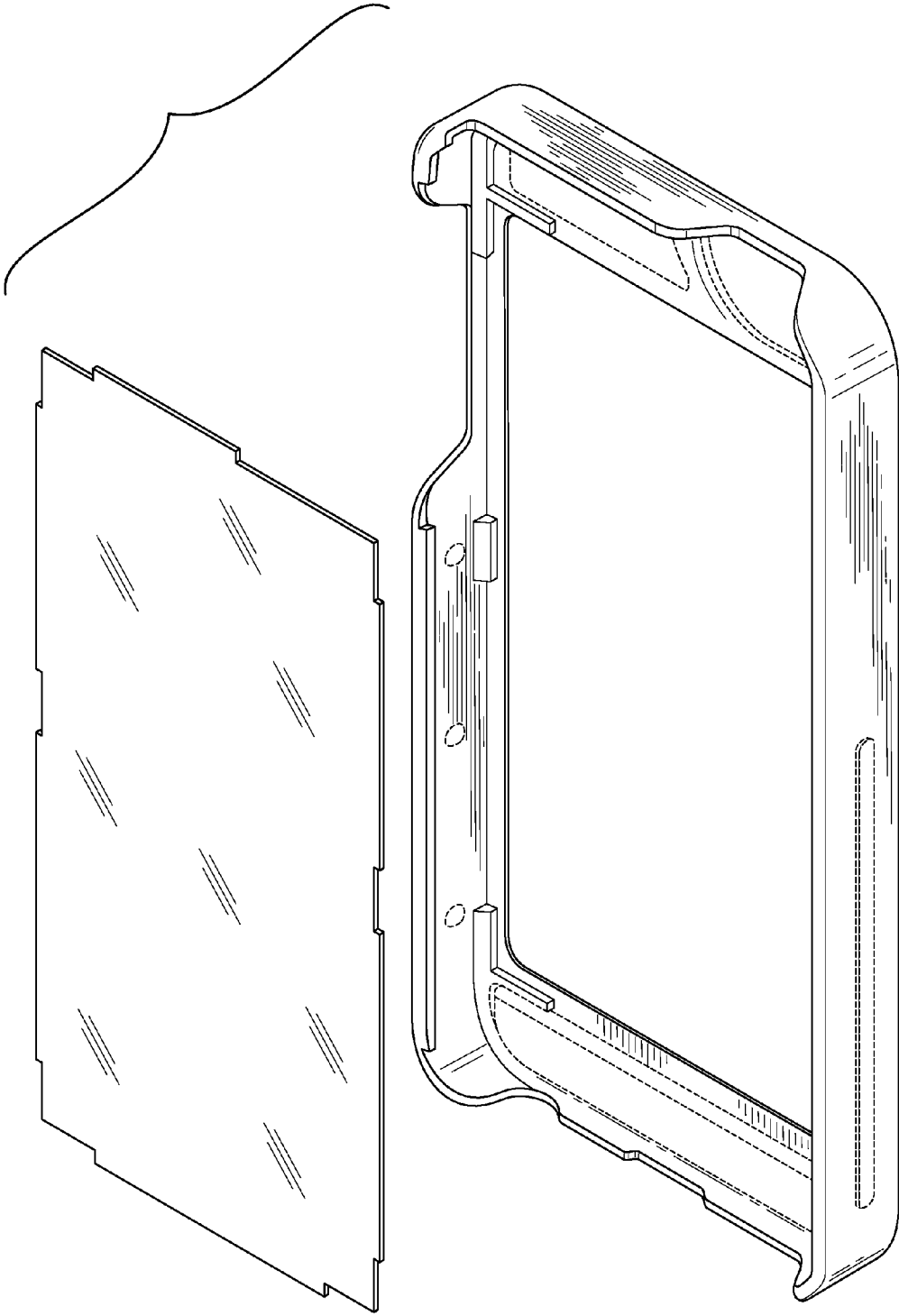


FIG. 1

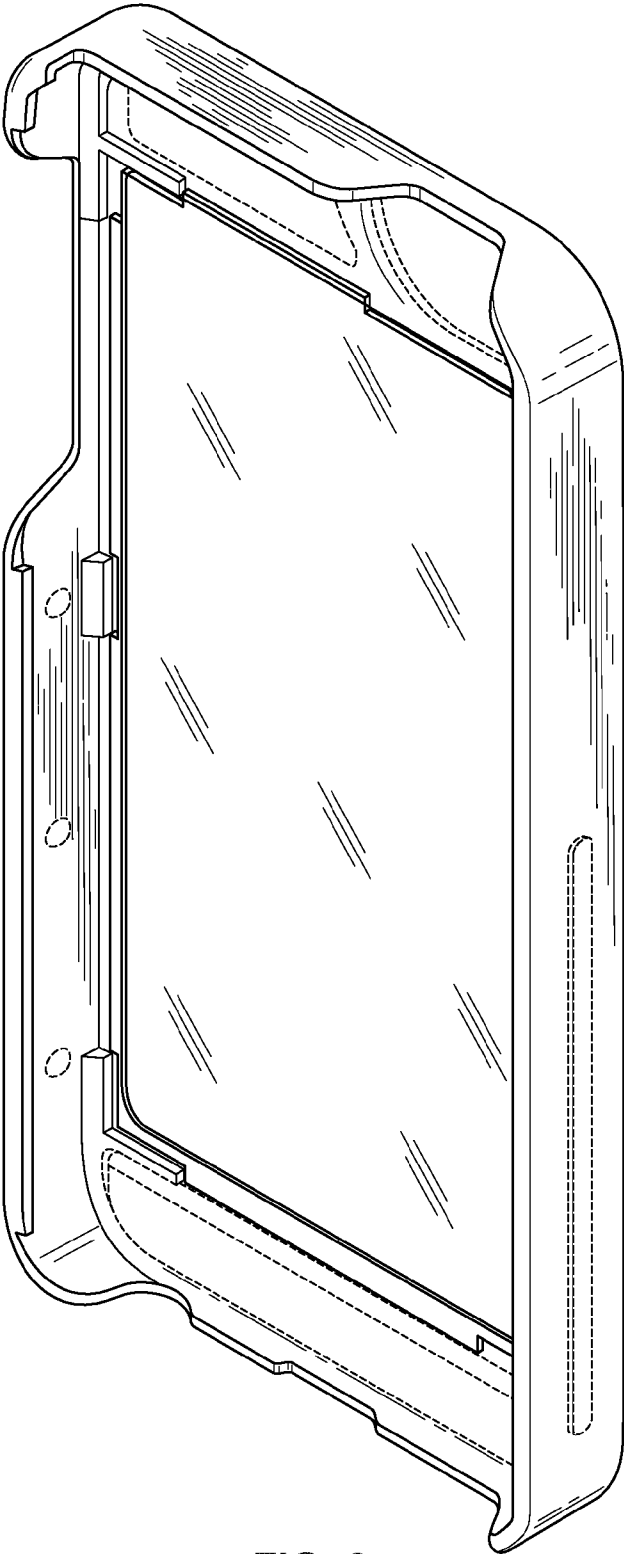


FIG. 2

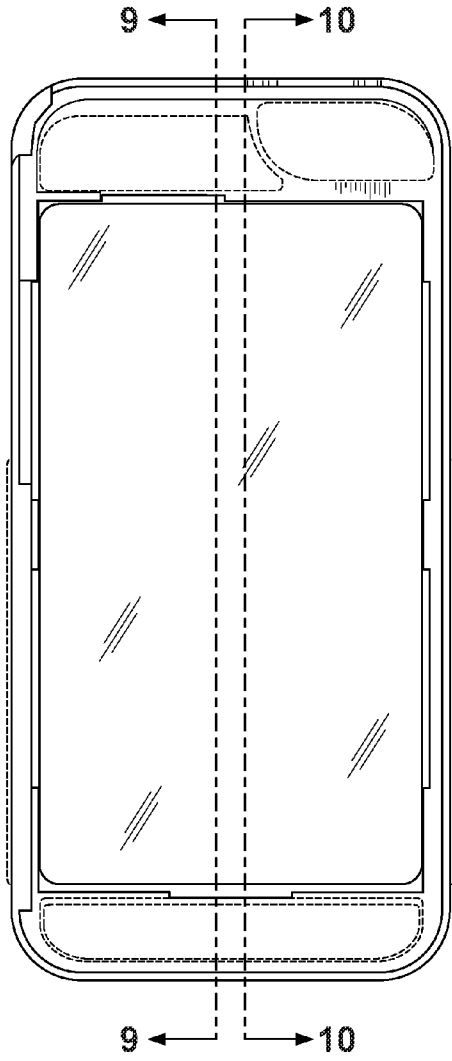


FIG. 3

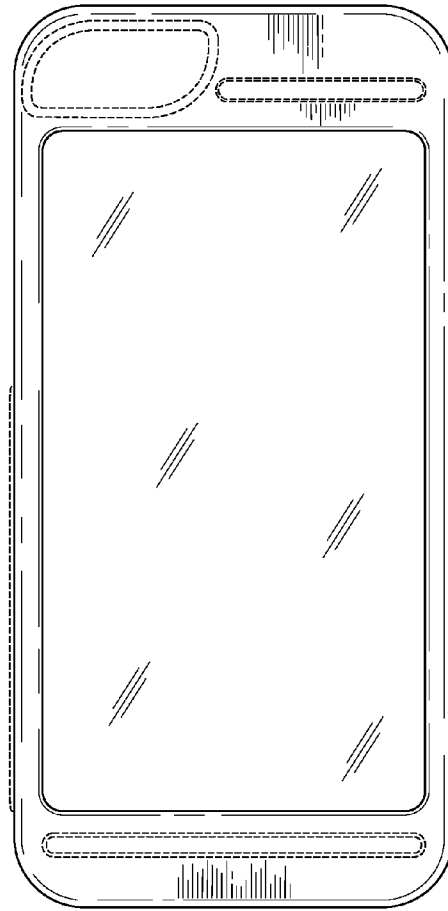


FIG. 4

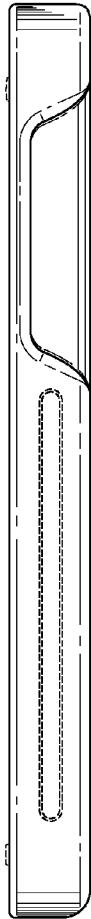


FIG. 5

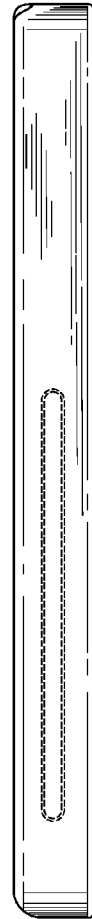


FIG. 6



FIG. 7



FIG. 8

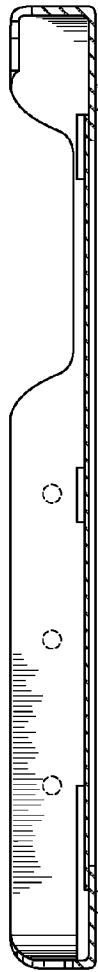


FIG. 9

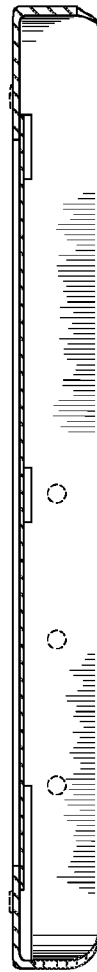


FIG. 10